



US00D838326S

(12) **United States Design Patent**  
**Clarke et al.**

(10) **Patent No.:** **US D838,326 S**

(45) **Date of Patent:** **\*\* Jan. 15, 2019**

- (54) **GOLF CLUB HEAD**
- (71) Applicant: **Karsten Manufacturing Corporation**,  
Phoenix, AZ (US)
- (72) Inventors: **Jacob T. Clarke**, Phoenix, AZ (US);  
**Murphy Alexander**, Phoenix, AZ (US);  
**Daniel K. Lee**, Chandler, AZ (US)
- (73) Assignee: **Karsten Manufacturing Corporation**,  
Phoenix, AZ (US)
- (\*\*) Term: **15 Years**
- (21) Appl. No.: **29/617,879**
- (22) Filed: **Sep. 15, 2017**
- (51) **LOC (11) Cl.** ..... **21-02**
- (52) **U.S. Cl.**  
USPC ..... **D21/752**
- (58) **Field of Classification Search**  
USPC ..... D21/733, 752, 759  
CPC ..... A63B 53/00; A63B 53/04; A63B 53/0466;  
A63B 2053/002; A63B 2053/0445; A63B  
2053/0433; A63B 2053/0491; A63B  
2053/0437  
See application file for complete search history.

- D564,054 S 3/2008 Jertson
- D564,055 S 3/2008 Jertson
- D564,056 S 3/2008 Chen
- D566,214 S 4/2008 Evans
- D567,317 S 4/2008 Jertson
- D567,891 S 4/2008 Serrano
- D569,933 S 5/2008 Jertson
- D569,934 S 5/2008 Jertson
- D569,935 S 5/2008 Schweigert
- D569,936 S 5/2008 Schweigert
- D569,937 S 5/2008 Sanchez
- D569,938 S 5/2008 Sanchez
- D570,937 S 6/2008 Schweigert
- D570,938 S 6/2008 Jertson
- D570,939 S 6/2008 Chen
- D570,940 S 6/2008 Chen
- D570,941 S 6/2008 Chen
- D571,882 S 6/2008 Soracco
- D572,324 S 7/2008 Chen
- D572,782 S 7/2008 Sanchez

(Continued)

*Primary Examiner* — Mitchell I. Siegel

(57) **CLAIM**

The ornamental design for a golf club head, as shown and described.

**DESCRIPTION**

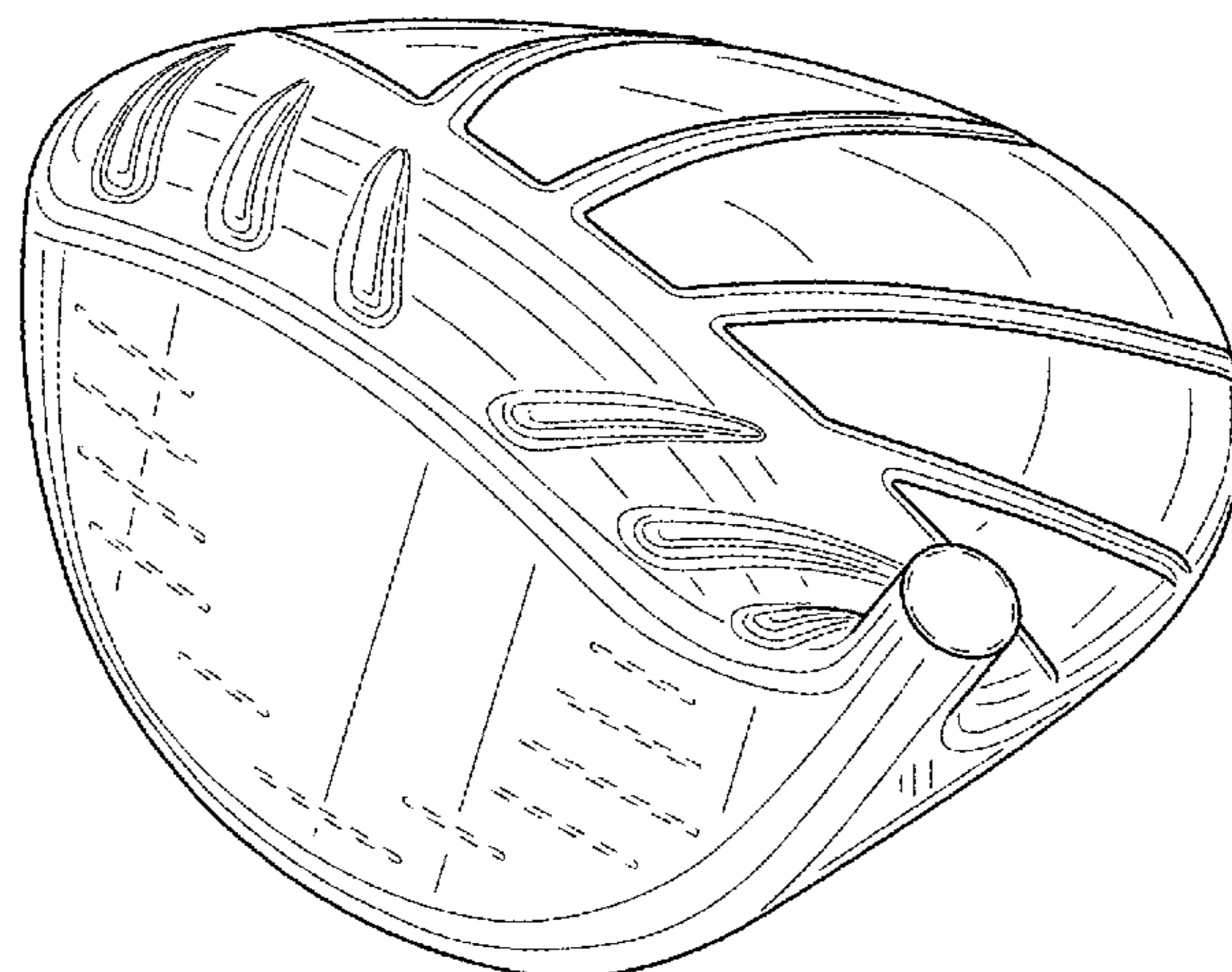
FIG. 1 is a front perspective view of a golf club head; FIG. 2 is a rear perspective view of the golf club head of FIG. 1; FIG. 3 is a front view of the golf club head of FIG. 1; FIG. 4 is a rear view of the golf club head of FIG. 1; FIG. 5 is a top view of the golf club head of FIG. 1; FIG. 6 is a bottom view of the golf club head of FIG. 1; FIG. 7 is a heel view of the golf club head of FIG. 1; and, FIG. 8 is a toe view of the golf club head of FIG. 1. The broken lines shown in one or more of the figures are for illustrative purposes only and form no part of the claimed design.

**1 Claim, 5 Drawing Sheets**

(56) **References Cited**

**U.S. PATENT DOCUMENTS**

- D442,244 S \* 5/2001 Olsavsky ..... D21/752
- D529,111 S 9/2006 Cleveland et al.
- D553,206 S \* 10/2007 Morales ..... D21/733
- D557,362 S \* 12/2007 Serrano ..... D21/752
- D557,363 S 12/2007 Jertson
- D558,287 S 12/2007 Jertson
- D558,288 S 12/2007 Jertson
- D561,286 S 2/2008 Morales et al.
- D562,421 S 2/2008 Jertson
- D563,498 S 3/2008 Jertson



(56)

References Cited

U.S. PATENT DOCUMENTS

D572,783 S	7/2008	Sanchez	7,934,998 B2	5/2011	Yokota
D572,784 S	7/2008	Sanchez	8,012,034 B1	9/2011	Cackett
D572,785 S	7/2008	Chen	8,012,038 B1	9/2011	Beach et al.
D572,787 S	7/2008	Sanchez	D647,585 S	10/2011	Jertson et al.
D572,791 S	7/2008	Jertson	D661,751 S	6/2012	Nicolette
D573,213 S	7/2008	Sanchez	D661,752 S	6/2012	Stokke
D573,214 S	7/2008	Sanchez	D661,756 S	6/2012	Nicolette
D573,215 S	7/2008	Sanchez	D661,757 S	6/2012	Stokke
D573,216 S	7/2008	Sanchez	D664,222 S *	7/2012	Lindsay ..... D21/733
D573,217 S	7/2008	Sanchez	8,235,841 B2	8/2012	Stites et al.
D573,218 S	7/2008	Sanchez	D669,546 S	10/2012	Llewellyn et al.
D573,674 S	7/2008	Sanchez	D669,948 S	10/2012	Sakamoto
D573,675 S	7/2008	Sanchez	D669,949 S	10/2012	Sakamoto
D573,676 S	7/2008	Chen	8,337,319 B2	12/2012	Sargent et al.
D573,678 S	7/2008	Kawami	8,337,326 B2	12/2012	Lukasiewicz, Jr.
D574,046 S	7/2008	Chen	8,337,328 B2	12/2012	Foster et al.
D574,048 S	7/2008	Kadoya	D673,630 S	1/2013	Schweigert
D574,049 S	7/2008	Kadoya	D673,632 S	1/2013	Schweigert
D574,050 S	7/2008	Jones	D680,179 S	4/2013	Solheim
7,396,296 B2	7/2008	Evans	D686,291 S	7/2013	Foster
D574,456 S	8/2008	Chen	D687,503 S	8/2013	Solheim
D578,587 S	10/2008	Hoffman	D691,230 S	10/2013	Chen et al.
D579,066 S	10/2008	Dipert	D696,739 S	12/2013	Stokke et al.
D579,067 S	10/2008	Hoffman	D705,879 S *	5/2014	Chen ..... D21/752
D580,504 S	11/2008	Bosilkovski	D709,153 S	7/2014	Fossum et al.
D583,432 S	12/2008	Serrano	D709,574 S	7/2014	Bacon et al.
D587,772 S	3/2009	Ferguson	D714,891 S *	10/2014	Greensmith ..... D21/752
D588,217 S	3/2009	Jertson	D720,025 S	12/2014	Nicolette
D588,220 S	3/2009	Ferguson	D721,147 S	1/2015	Chen et al.
D588,659 S	3/2009	Jertson	D721,777 S *	1/2015	Chen ..... D21/759
D589,576 S	3/2009	Kadoya	D722,122 S *	2/2015	Greensmith ..... D21/752
7,503,854 B2	3/2009	Galloway	D754,271 S	4/2016	Chen et al.
D591,810 S	5/2009	Murphy	D771,209 S *	11/2016	Chen ..... D21/752
D591,817 S	5/2009	Murphy	D777,855 S *	1/2017	Stokke ..... D21/752
D591,818 S	5/2009	Roberts	D777,856 S	1/2017	Jertson et al.
D594,518 S	6/2009	Schweigert	D777,857 S	1/2017	Jertson et al.
D594,521 S	6/2009	Jertson	D780,866 S *	3/2017	Stokke ..... D21/752
D594,919 S	6/2009	Schweigert	D785,735 S *	5/2017	Bacon ..... D21/752
D595,381 S	6/2009	Waggoner	D788,864 S *	6/2017	Stokke ..... D21/752
D596,252 S	7/2009	Jertson	D791,255 S *	7/2017	Jertson ..... D21/752
D598,062 S	8/2009	Dipert	D794,733 S *	8/2017	Milleman ..... D21/752
D600,297 S	9/2009	Jertson	D801,461 S *	10/2017	Milleman ..... D21/752
D603,472 S	11/2009	Schweigert	D801,462 S *	10/2017	Wang ..... D21/752
D603,919 S	11/2009	Gray	D811,503 S *	2/2018	Bacon ..... D21/752
D604,376 S	11/2009	Darley	D814,582 S *	4/2018	Bacon ..... D21/752
D609,293 S	2/2010	Williams	D814,583 S *	4/2018	Stokke ..... D21/752
D609,294 S	2/2010	Oldknow	D815,223 S *	4/2018	Stokke ..... D21/752
D611,555 S	3/2010	Oldknow	D815,706 S *	4/2018	Chen ..... D21/759
D612,005 S	3/2010	Oldknow	D823,958 S *	7/2018	Stokke ..... D21/752
D613,805 S	4/2010	Sutovsky	D825,013 S *	8/2018	Milleman ..... D21/752
7,717,807 B2	5/2010	Evans et al.	2006/0052181 A1 *	3/2006	Serrano ..... A63B 53/0466 473/345
D618,747 S	6/2010	Schweigert	2008/0045356 A1 *	2/2008	Lin ..... A63B 53/0466 473/346
D618,753 S *	6/2010	Jertson ..... D21/759	2008/0171612 A1	7/2008	Serrano
D618,754 S	6/2010	Schweigert	2008/0188322 A1	8/2008	Anderson
D621,892 S	8/2010	Kohno	2009/0275419 A1	11/2009	Cackett
D631,111 S *	1/2011	Bennett ..... D21/752	2010/0267461 A1	10/2010	Stites
7,892,111 B2	2/2011	Morales	2011/0053702 A1	3/2011	Stites et al.
D635,626 S	4/2011	Nicolette	2011/0143858 A1	6/2011	Peralta
D638,893 S	5/2011	Schweigert et al.	2012/0252597 A1	10/2012	Thomas
D638,896 S	5/2011	Schweigert	2013/0029781 A1	1/2013	Beno et al.

\* cited by examiner



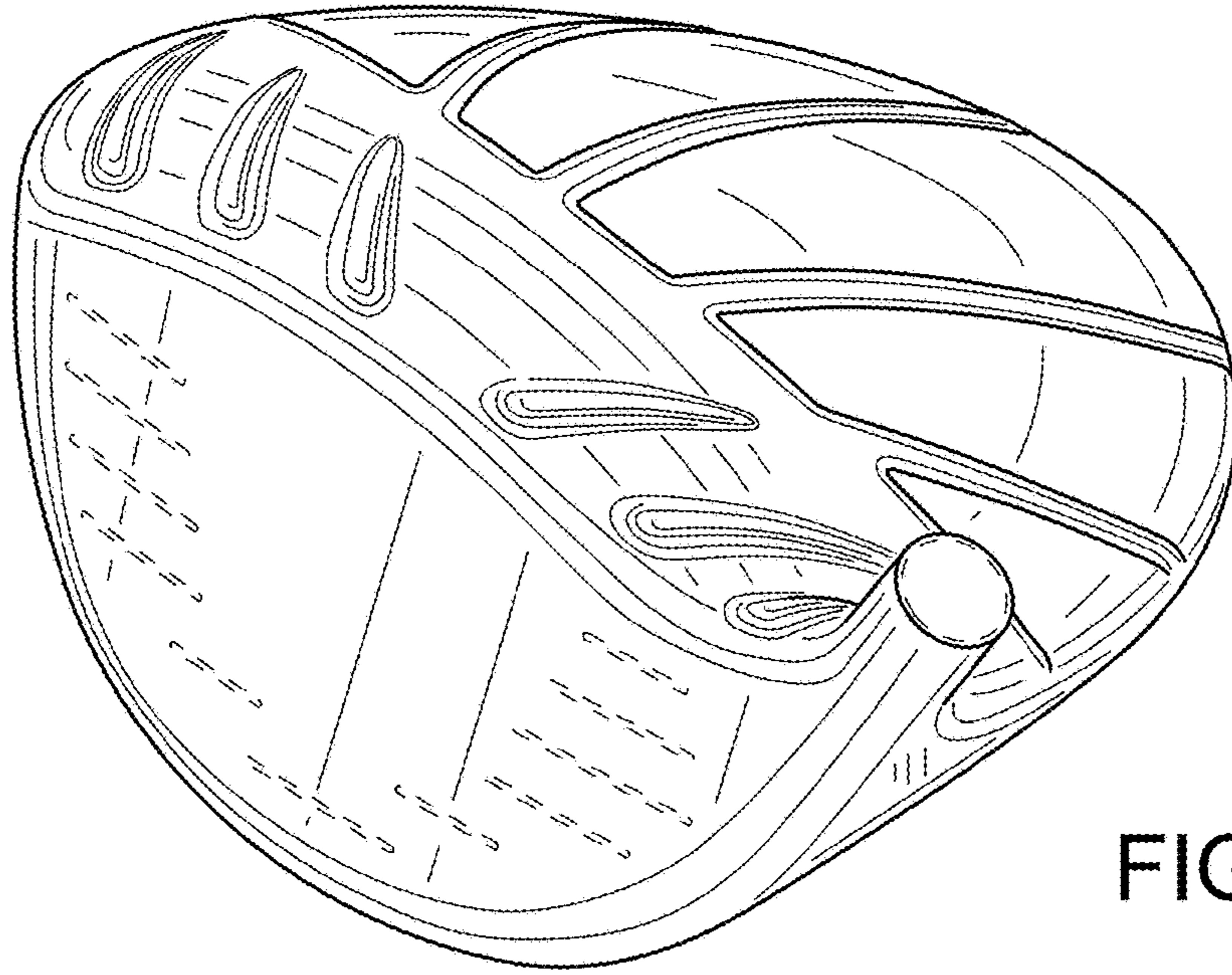


FIG.1

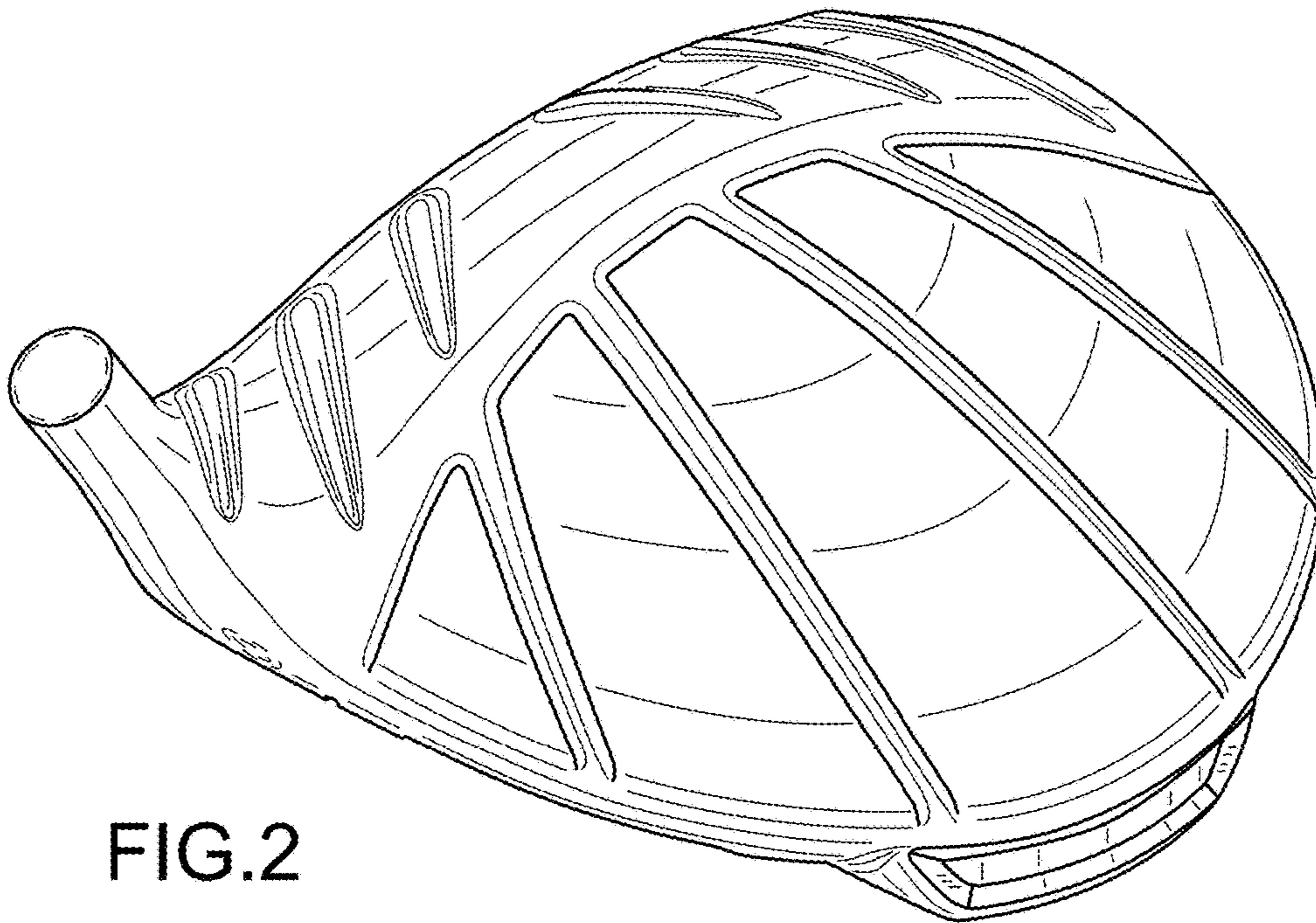


FIG.2

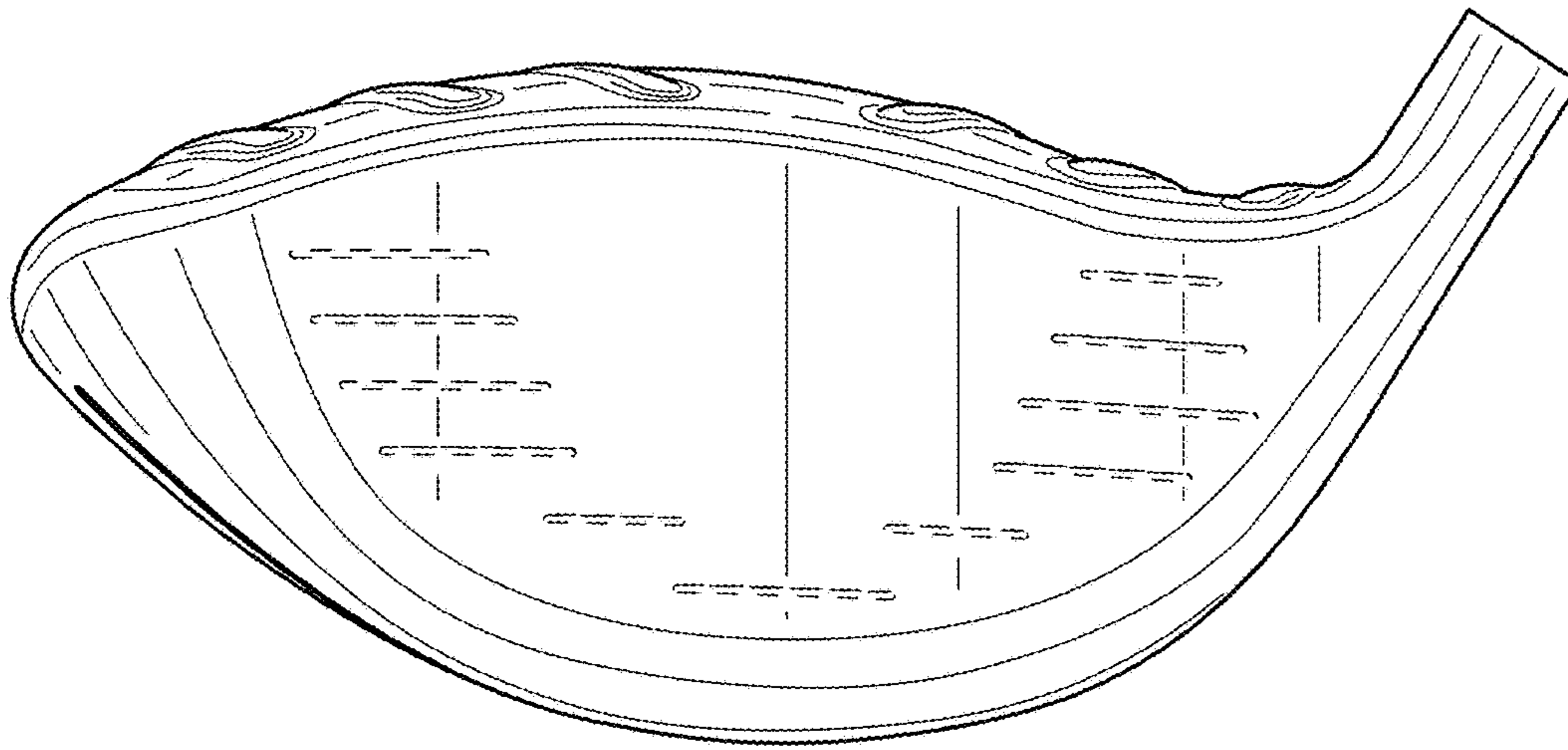


FIG.3

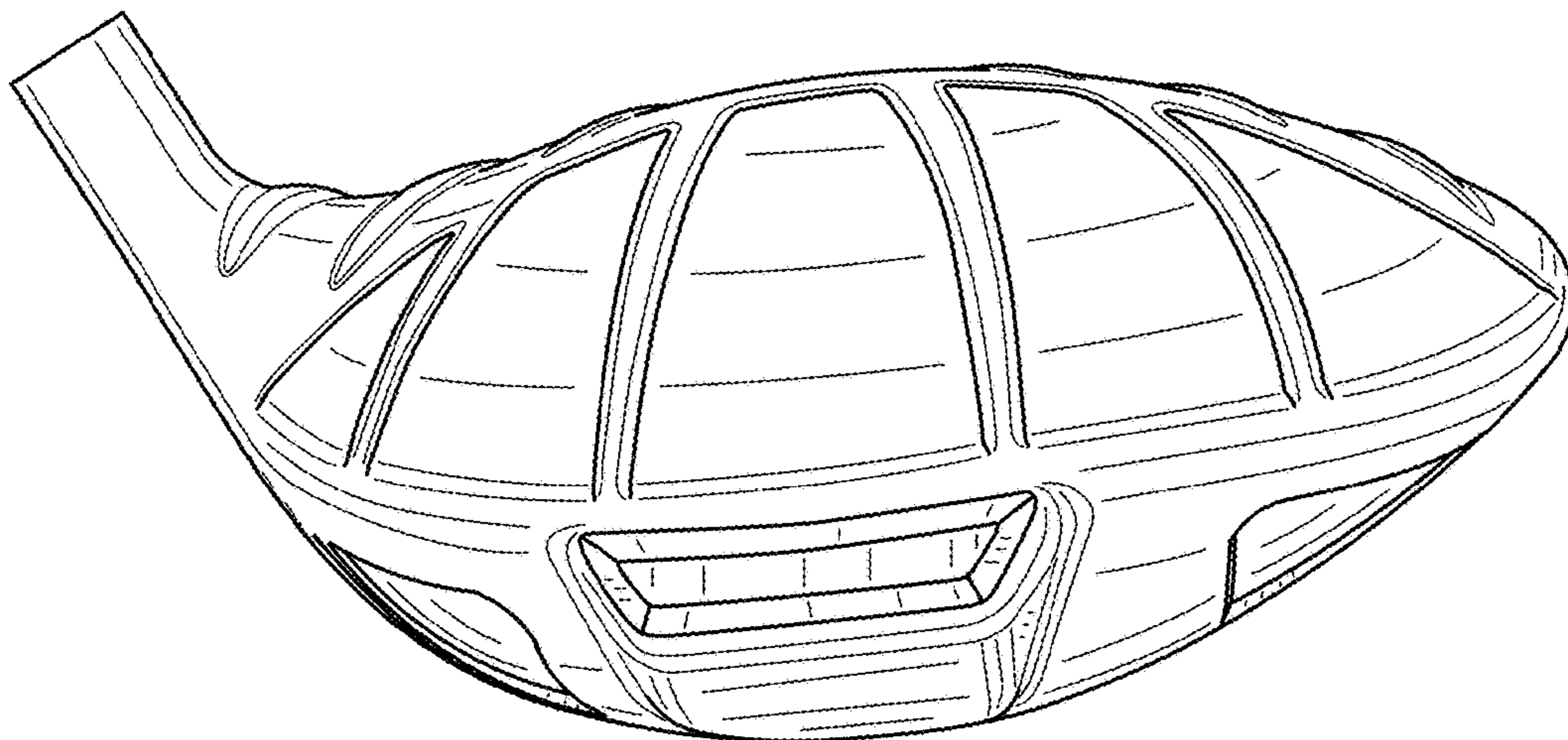


FIG.4

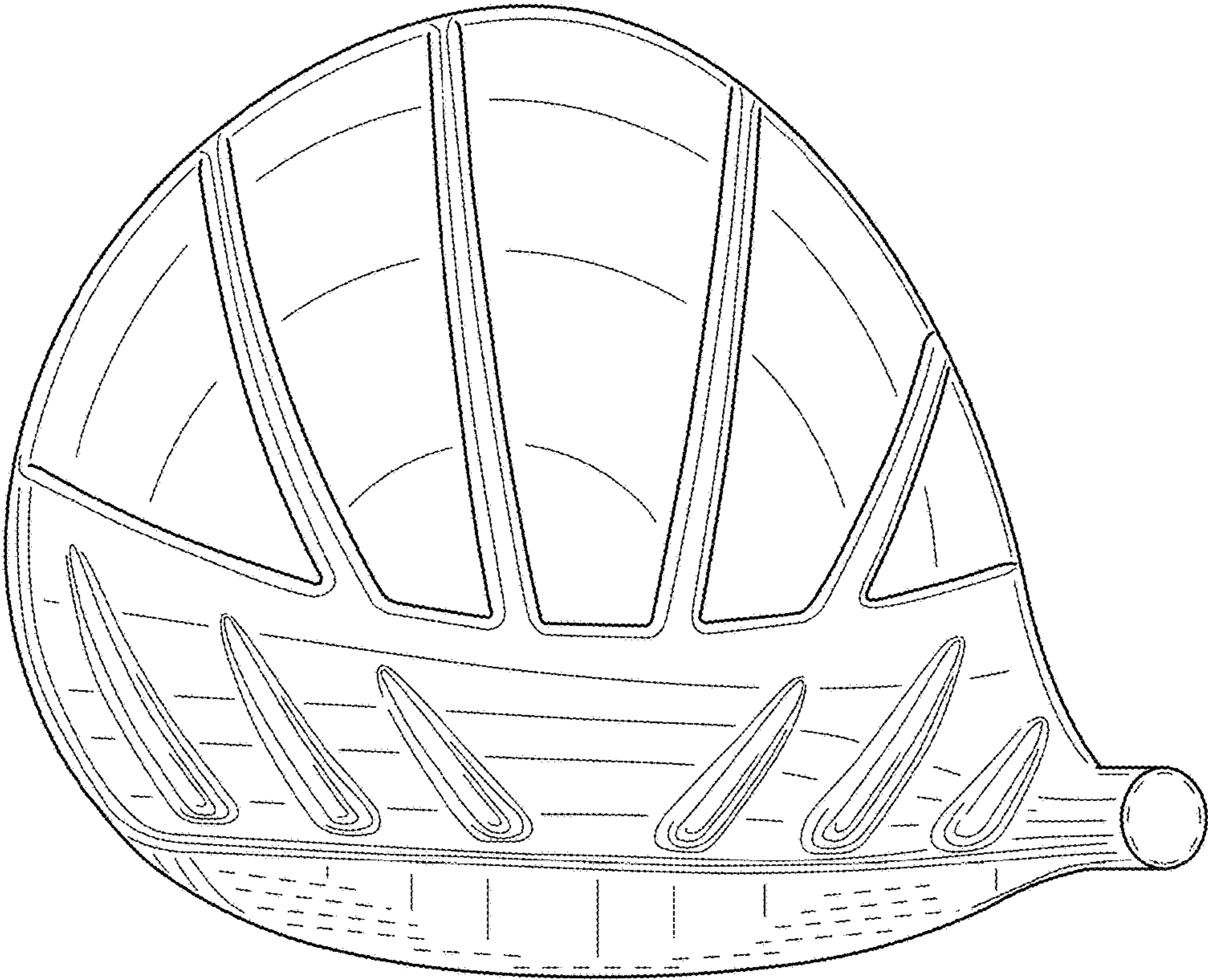


FIG.5



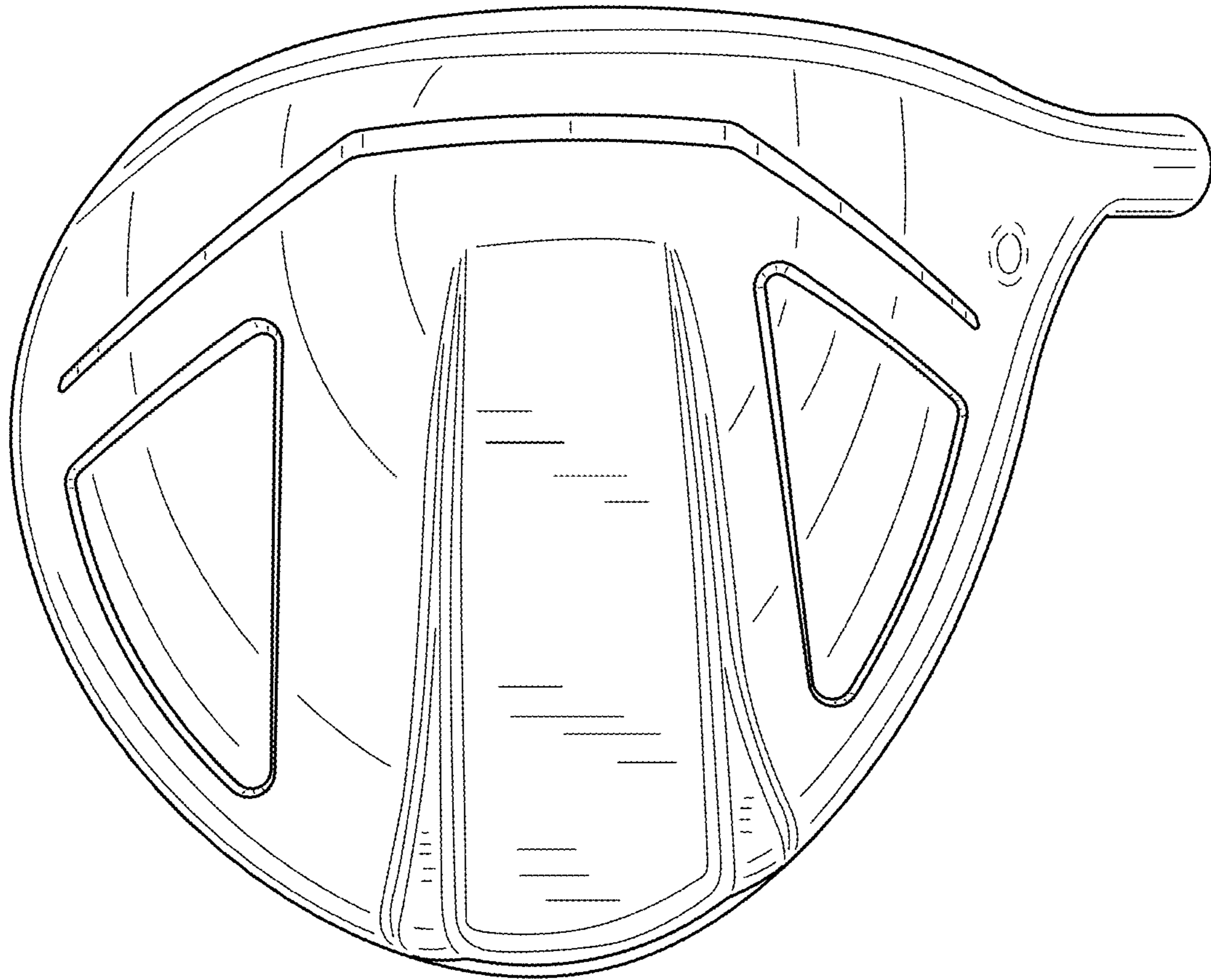


FIG.6

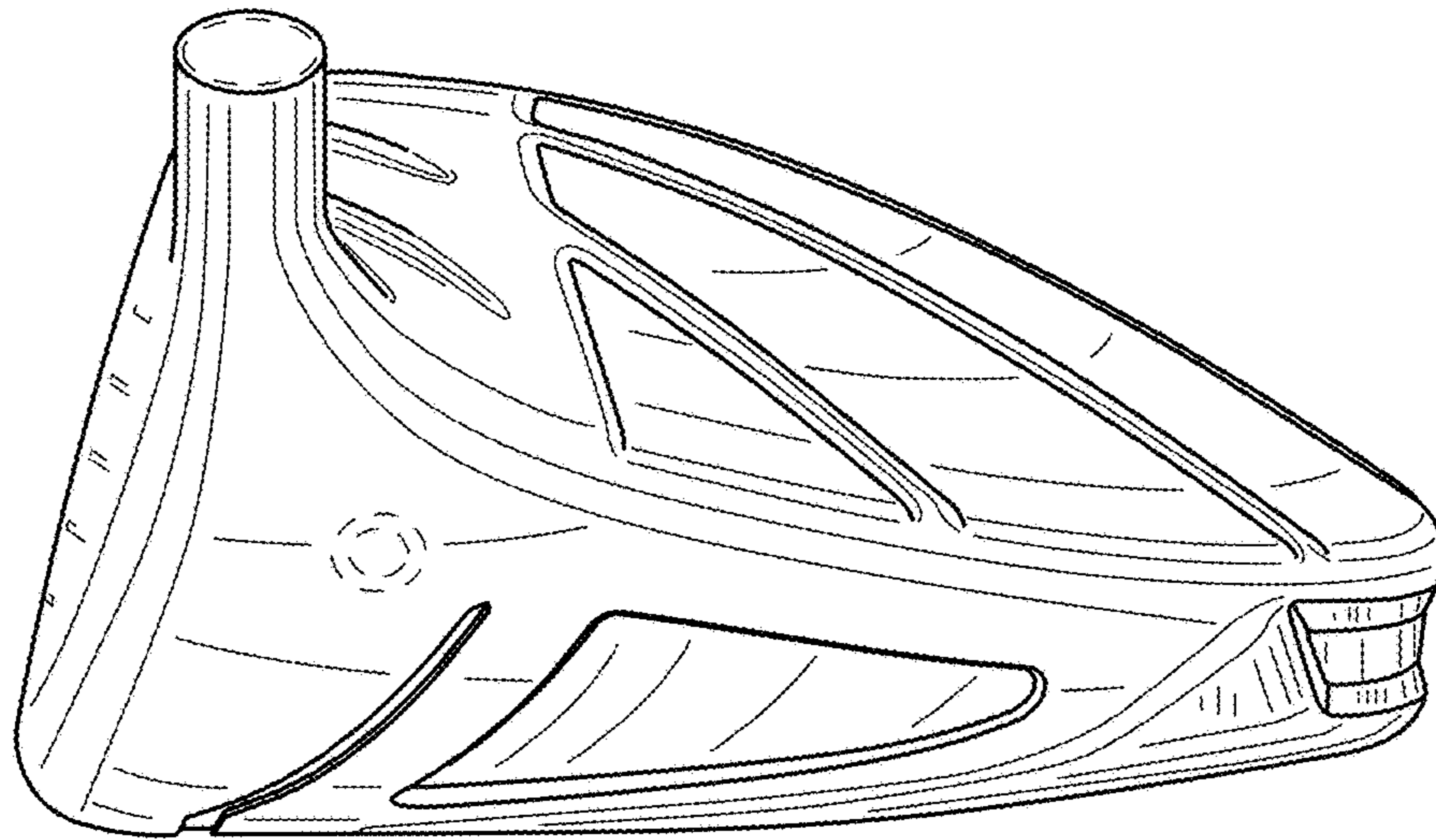


FIG. 7

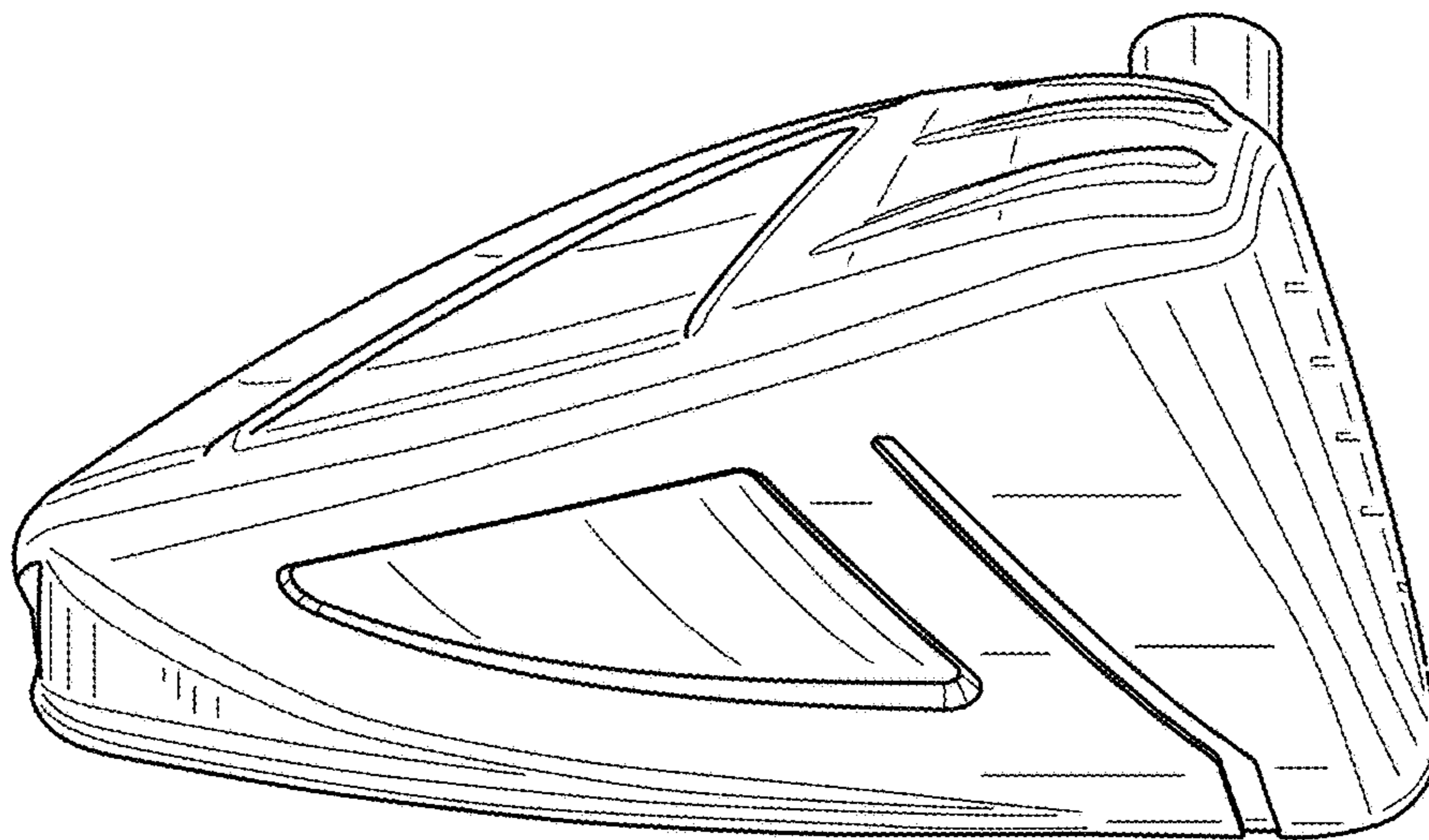


FIG. 8