



US00D838322S

(12) **United States Design Patent** (10) **Patent No.:** **US D838,322 S**
Lin (45) **Date of Patent:** **** Jan. 15, 2019**

(54) **LEGO TOY**
(71) Applicant: **Hui Lin**, Shenzhen (CN)
(72) Inventor: **Hui Lin**, Shenzhen (CN)
(73) Assignee: **SHENZHEN YUTIAN TECHNOLOGY CULTURE INDUSTRIAL CO., LTD.**, Shenzhen (CN)

(**) Term: **15 Years**

(21) Appl. No.: **29/627,377**

(22) Filed: **Nov. 27, 2017**

(51) **LOC (11) Cl.** **21-01**

(52) **U.S. Cl.**
USPC **D21/552**

(58) **Field of Classification Search**
USPC D12/86, 88, 90-92, 107, 110, 164, 173,
D12/184-186, 190, 196; D21/419, 421,
D21/423, 424-426, 432-434, 548, 549,
D21/550, 552, 559, 561
CPC A63H 17/26; A63H 17/262; A63H 17/264;
A63H 17/266; A63H 17/36; A63H 17/38;
A63H 29/00; A63H 29/22; A63H 29/24;
A63H 30/04

See application file for complete search history.

(56) **References Cited**

U.S. PATENT DOCUMENTS

D281,000 S * 10/1985 Kuna D21/559
D346,629 S * 5/1994 Ruskai D21/495

D351,630 S * 10/1994 Jensen D21/485
D363,323 S * 10/1995 Thomsen D21/559
D384,998 S * 10/1997 Høst D21/559
D443,318 S * 6/2001 Tse D21/559
D454,602 S * 3/2002 Tse D21/552
D597,150 S * 7/2009 Oikawa D21/495
D672,403 S * 12/2012 Riis D21/493
D802,685 S * 11/2017 Barajas D21/562
9,821,245 B2 * 11/2017 Larsen A63H 33/088

* cited by examiner

Primary Examiner — Robin V Webster

Assistant Examiner — Keith J Wilson

(74) *Attorney, Agent, or Firm* — Law Offices of Steven W. Weinrieb

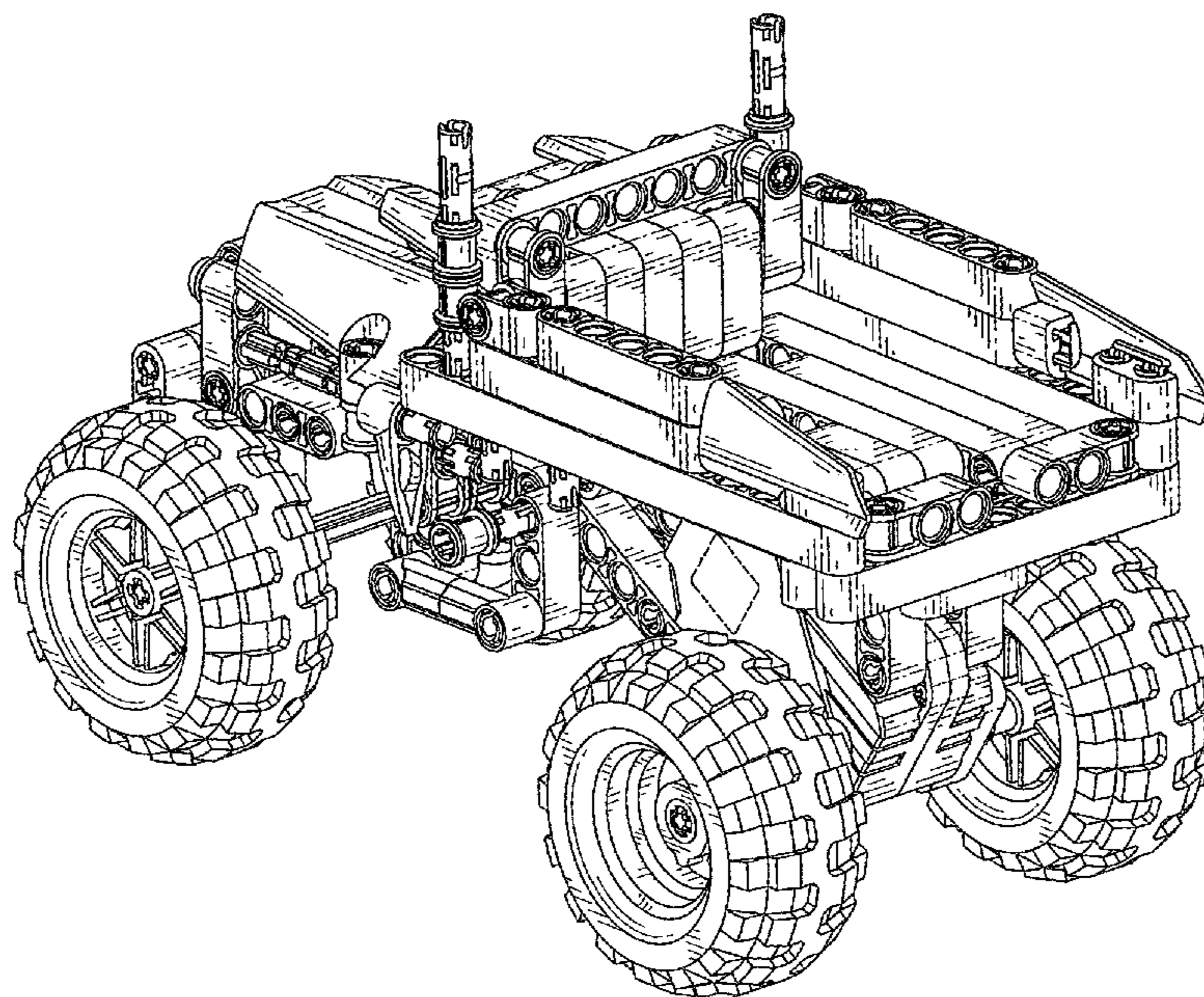
(57) **CLAIM**

The ornamental design for a lego toy, as shown and described.

DESCRIPTION

FIG. 1 is a left side top perspective view of the lego toy showing my new design;
FIG. 2 is an inverted right side bottom perspective view thereof;
FIG. 3 is a left side elevational view thereof;
FIG. 4 is a right side elevational view thereof.
FIG. 5 is a front elevational view thereof
FIG. 6 is a rear elevational view thereof;
FIG. 7 is a top plan view thereof; and,
FIG. 8 is a bottom plan view thereof.

1 Claim, 8 Drawing Sheets



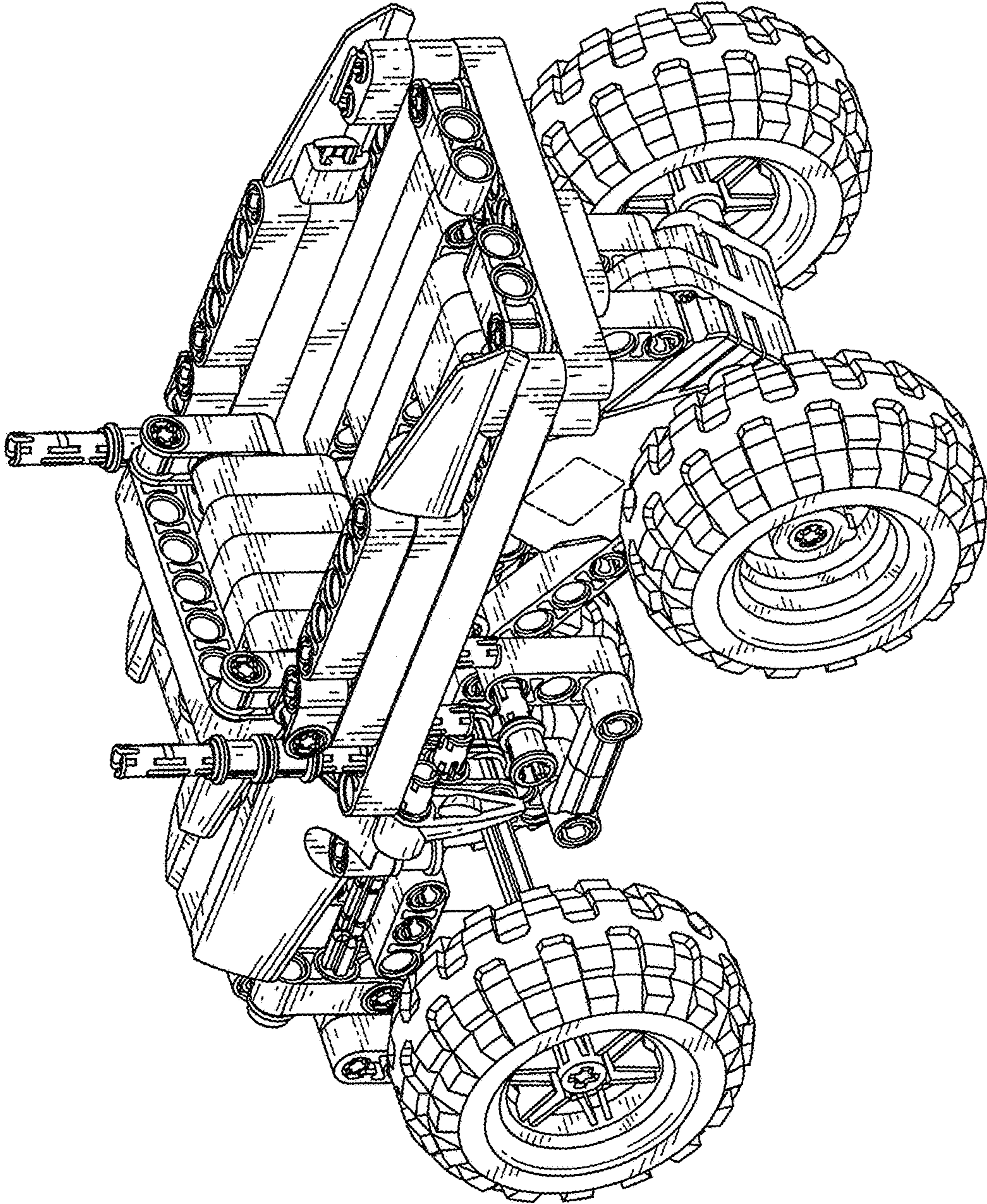


FIG. 1

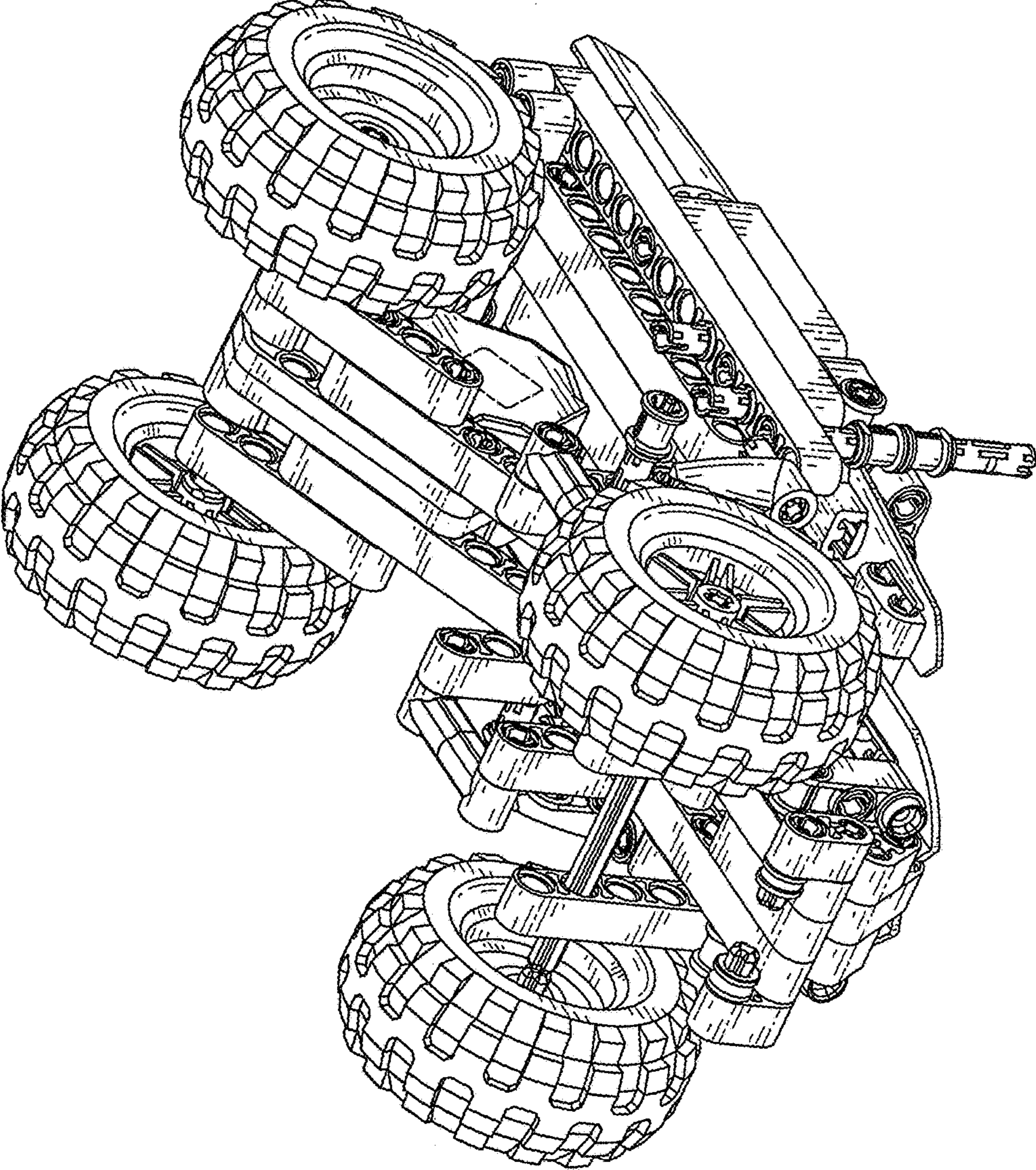


FIG. 2

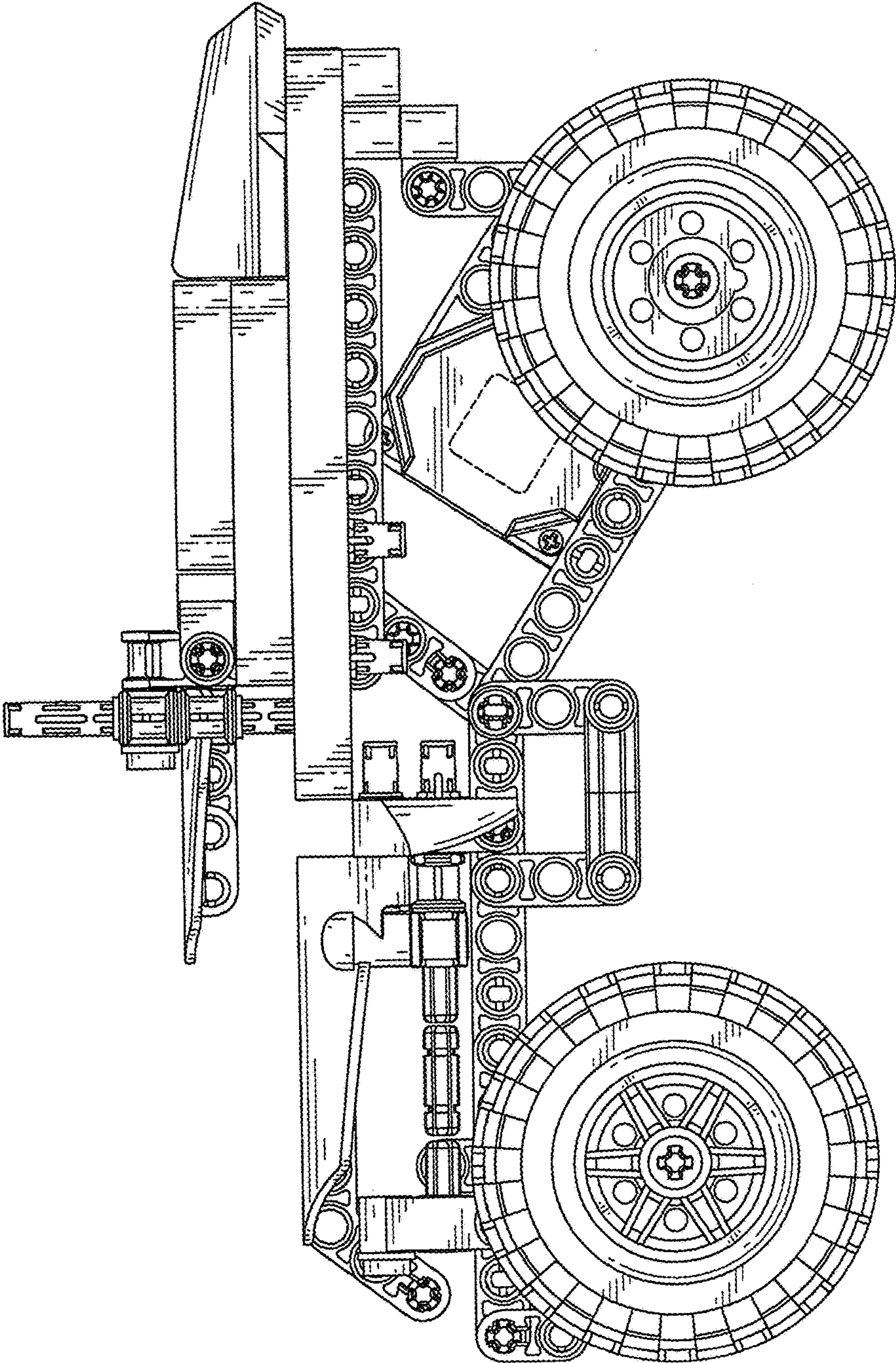


FIG. 3

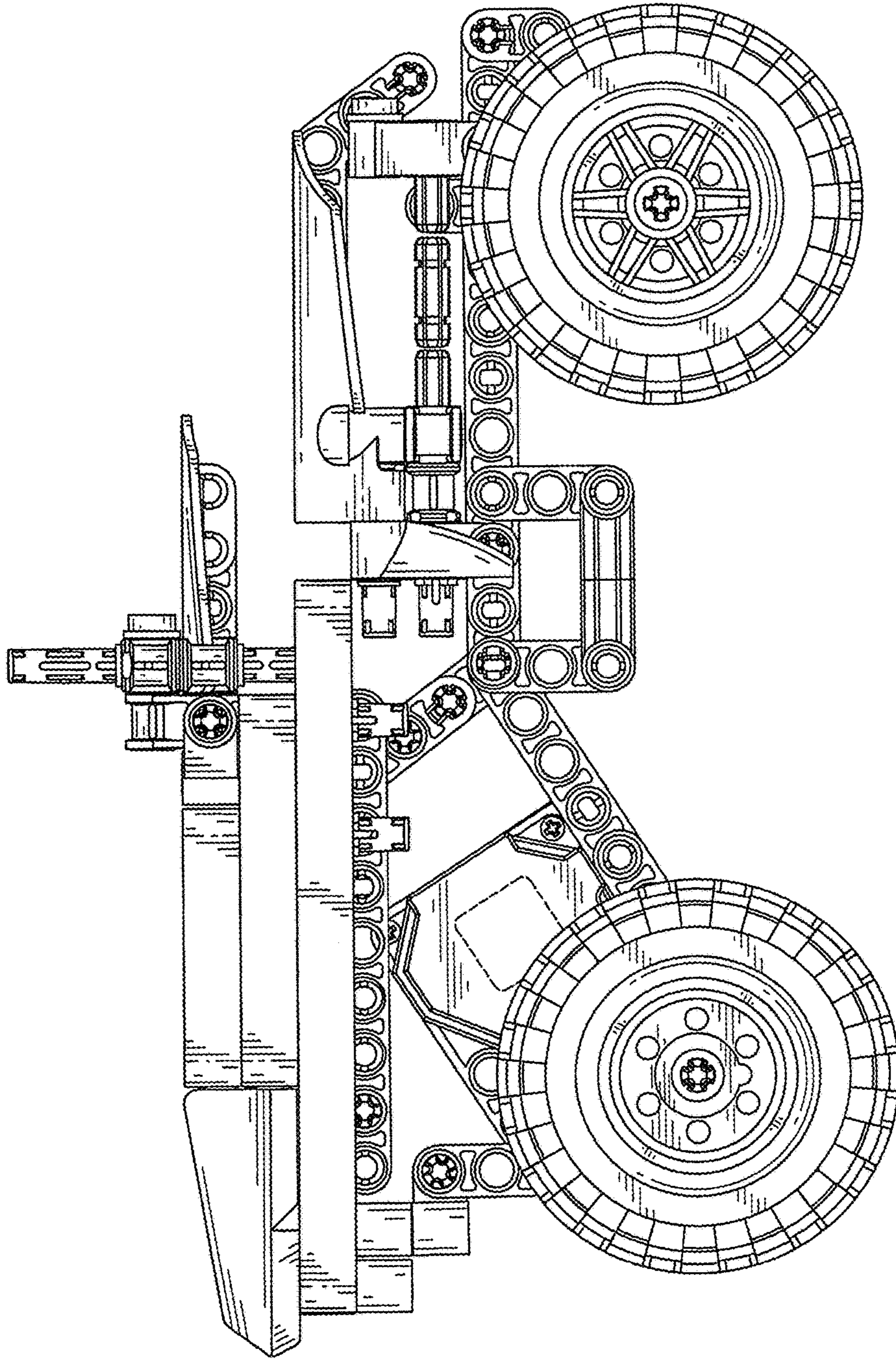


FIG. 4

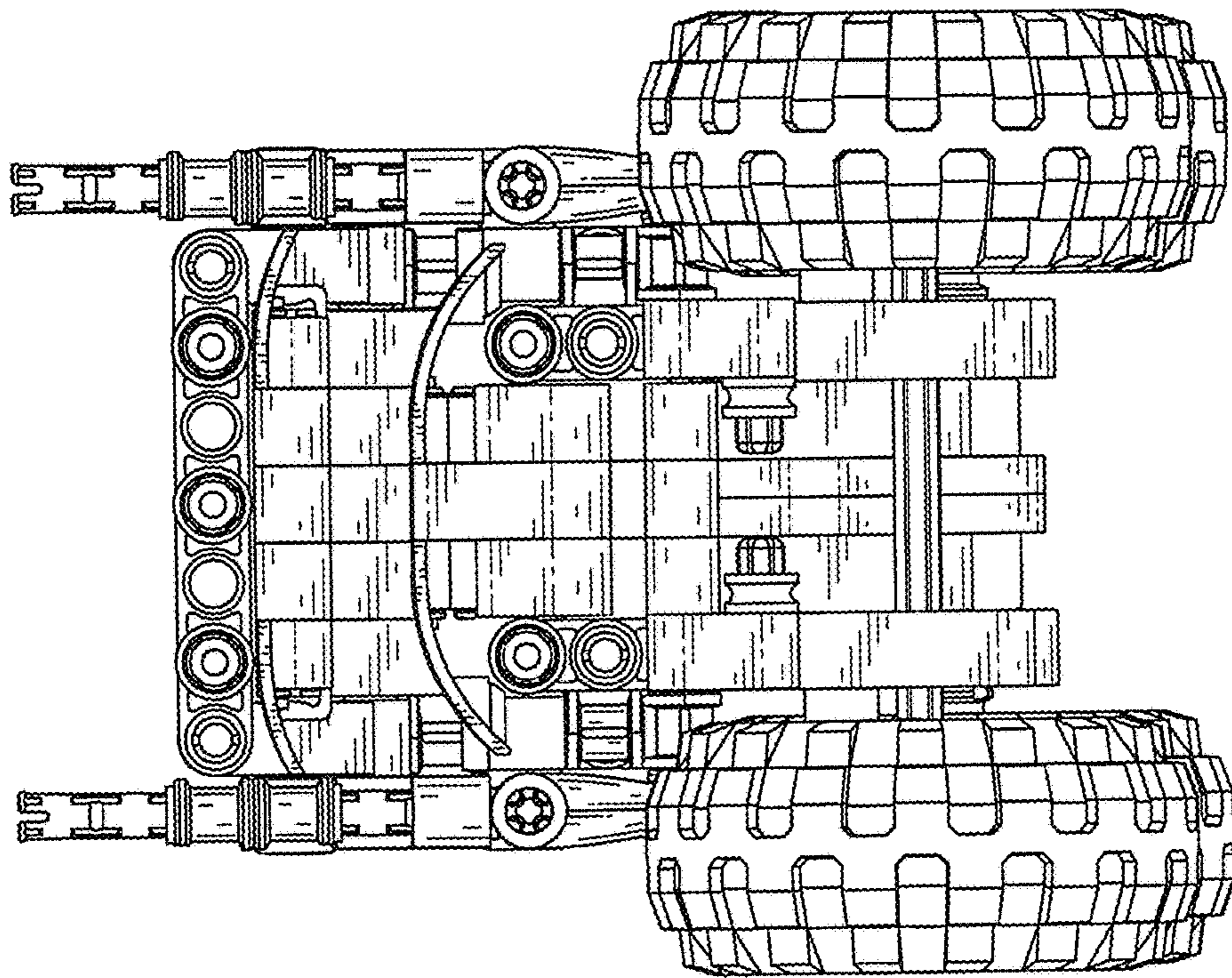


FIG. 5

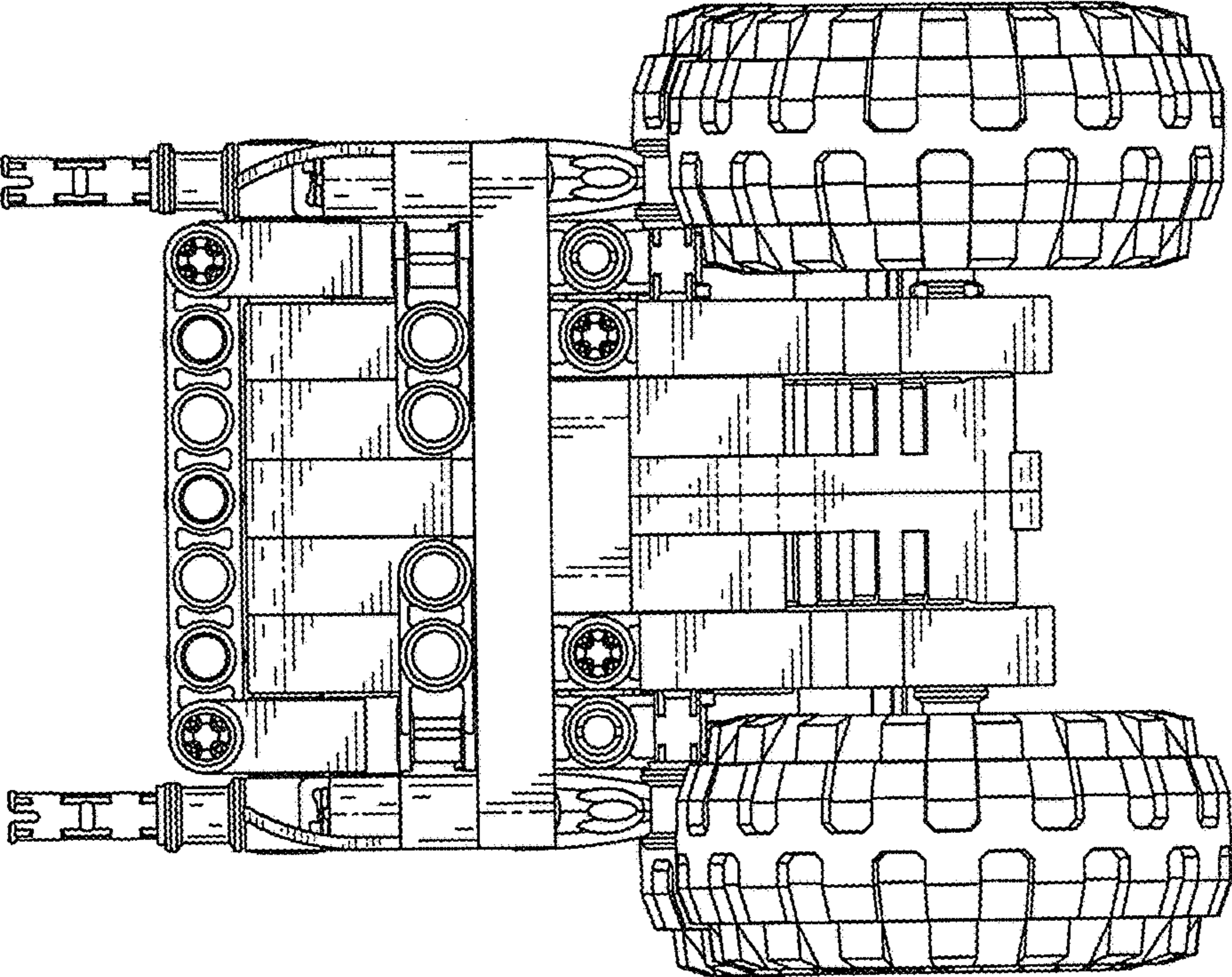


FIG. 6

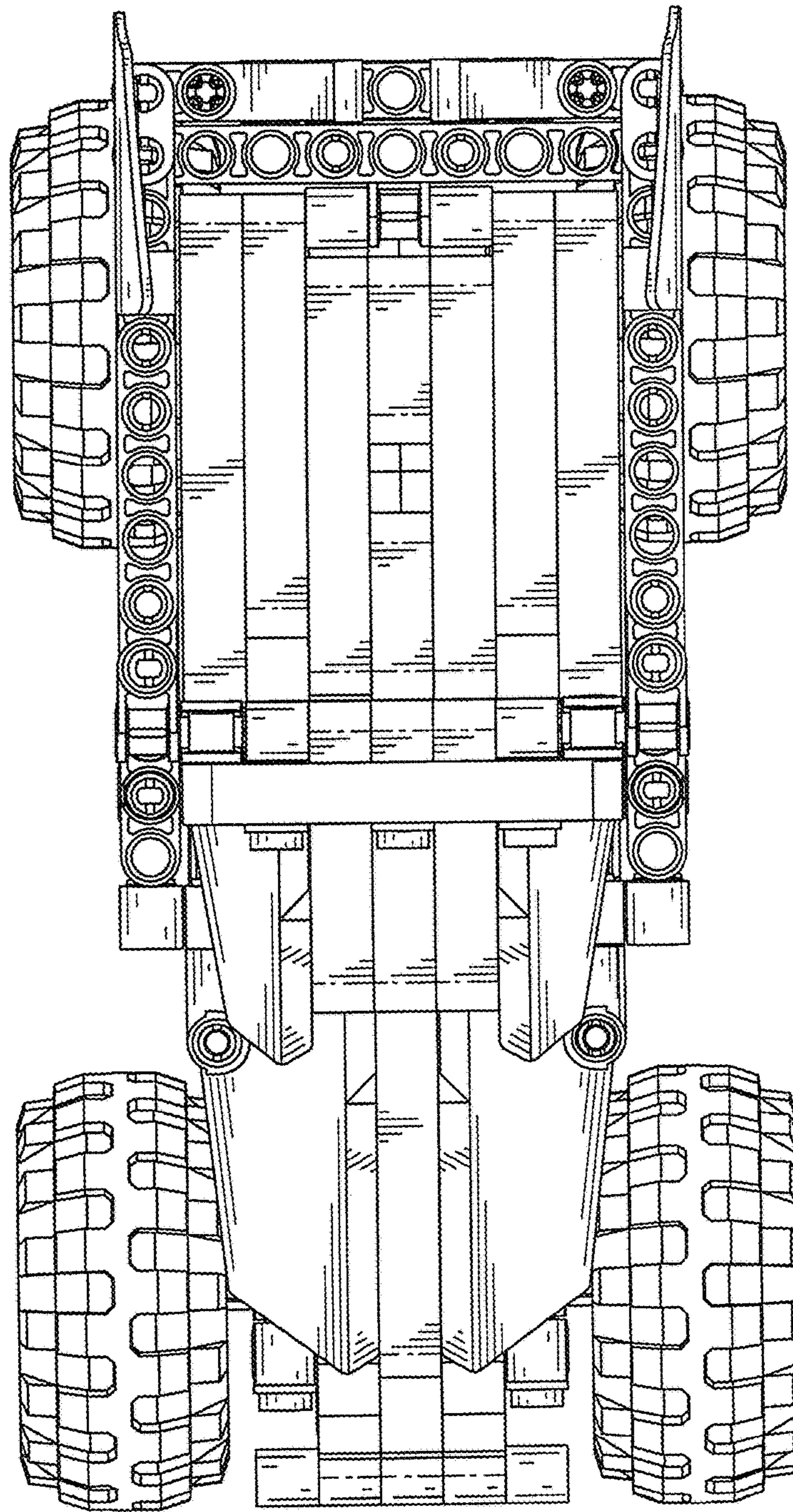


FIG. 7

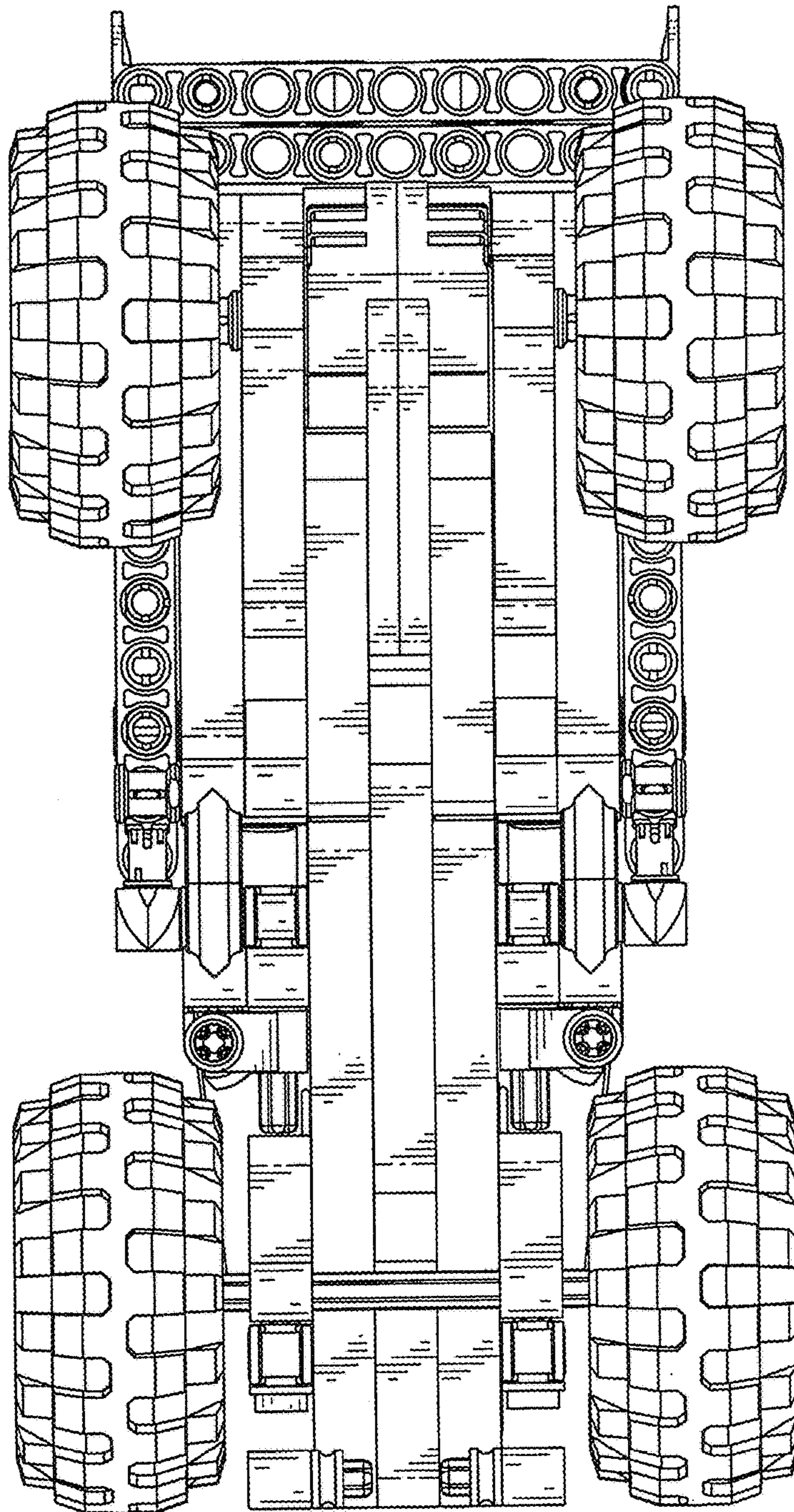


FIG. 8