



US00D838320S

(12) **United States Design Patent** (10) **Patent No.:** **US D838,320 S**
Lee (45) **Date of Patent:** **** Jan. 15, 2019**

(54) **TOY CAR**
(71) Applicant: **Wen-Hsien Lee**, New Taipei (TW)
(72) Inventor: **Wen-Hsien Lee**, New Taipei (TW)
(**) Term: **15 Years**
(21) Appl. No.: **29/583,795**
(22) Filed: **Nov. 9, 2016**
(51) **LOC (11) Cl.** **21-01**
(52) **U.S. Cl.**
USPC **D21/533**
(58) **Field of Classification Search**
USPC D12/86, 90-92, 164, 173, 184-186, 190,
D12/196; D21/419, 421, 423, 424-426,
D21/433-434, 548, 550, 552, 559;
446/456
CPC B60R 13/04; B60R 19/54; B62D 25/12;
B62D 27/026; B62D 35/005; B60J
5/0412
See application file for complete search history.

D630,269 S * 1/2011 Matsuda D21/533
D673,482 S * 1/2013 Rivellini D12/1
D762,269 S * 7/2016 Lee D21/548
D792,524 S * 7/2017 Lee D21/533
D803,765 S * 11/2017 Bei D12/533

* cited by examiner

Primary Examiner — Robin V Webster
Assistant Examiner — Keith J Wilson
(74) *Attorney, Agent, or Firm* — C. G. Mersereau;
Nikolai & Mersereau, P.A.

(57) **CLAIM**

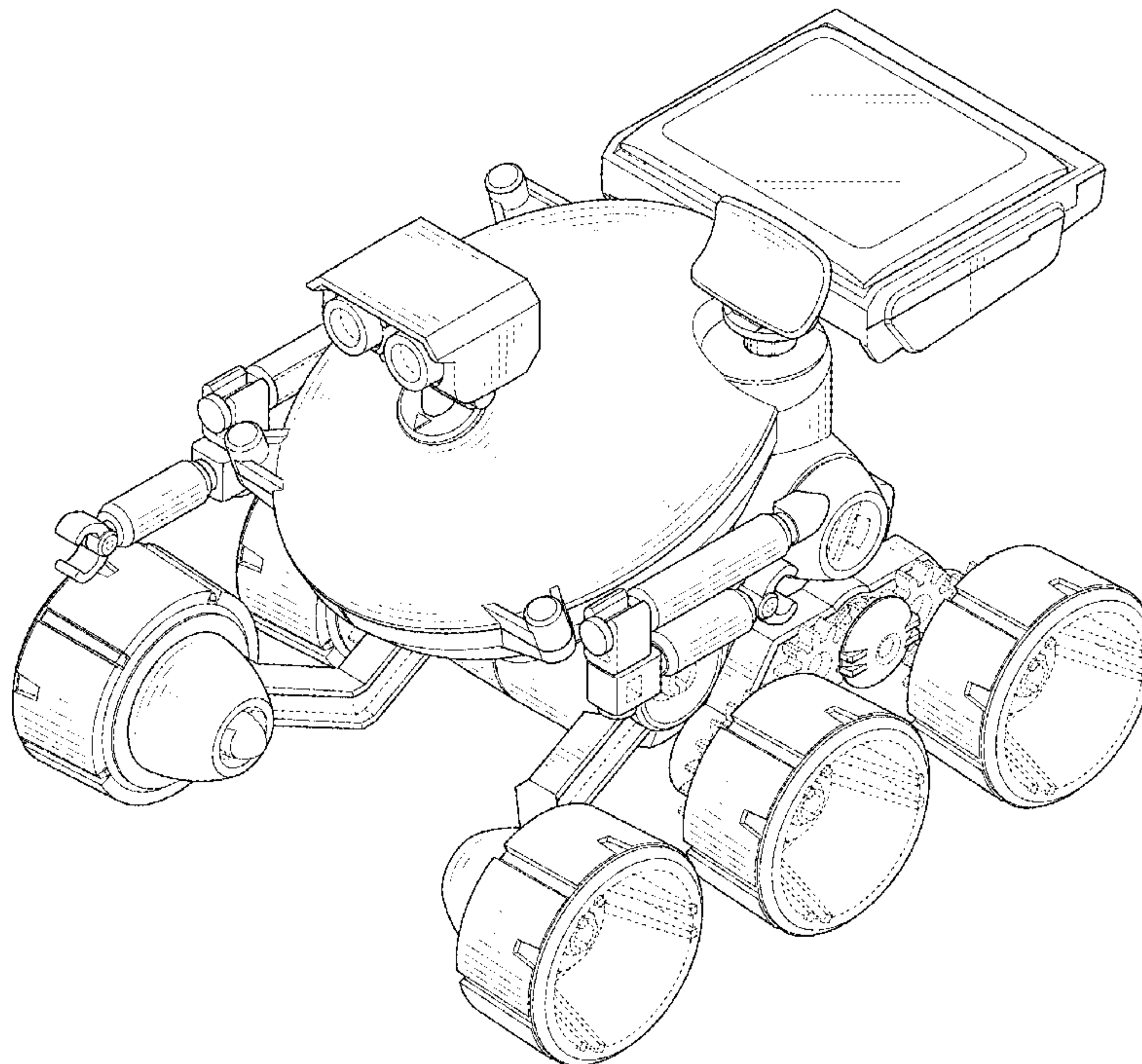
The ornamental design for a toy car, as shown and described.

DESCRIPTION

FIG. 1 is a perspective view of a toy car showing my new design;
FIG. 2 is another perspective view thereof;
FIG. 3 is a front view thereof;
FIG. 4 is a rear view thereof;
FIG. 5 is a left side view thereof;
FIG. 6 is a right side view thereof;
FIG. 7 is a top view thereof; and,
FIG. 8 is a bottom view thereof.
The broken lines depict environmental subject matter, are for illustration only and form no part of the claimed design.

(56) **References Cited**
U.S. PATENT DOCUMENTS
D437,255 S * 2/2001 Bickler D12/1
D487,715 S * 3/2004 Lindemann D12/1
D488,093 S * 4/2004 Lindemann D12/1
D545,721 S * 7/2007 Hacker D12/1

1 Claim, 8 Drawing Sheets



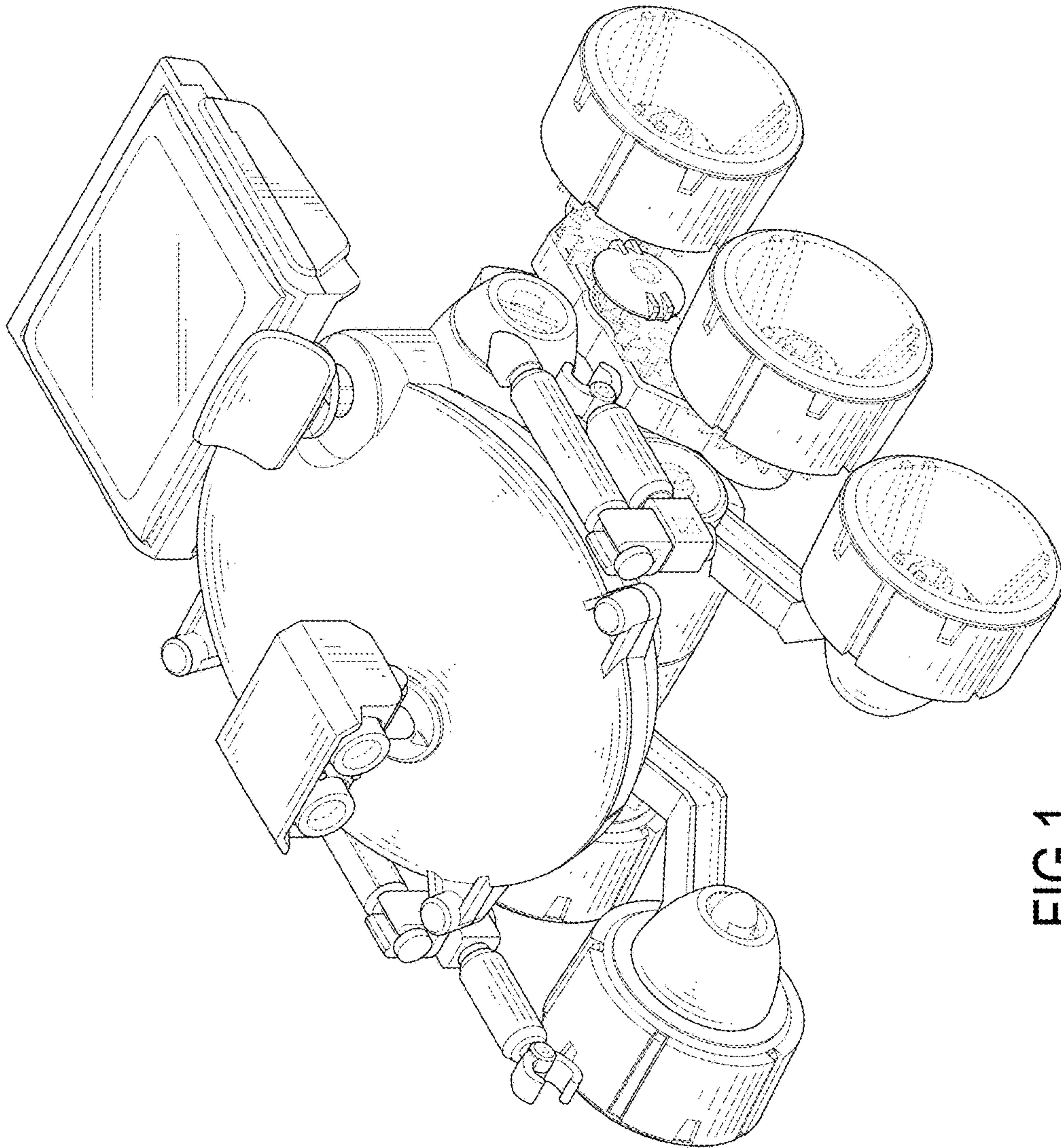


FIG.1

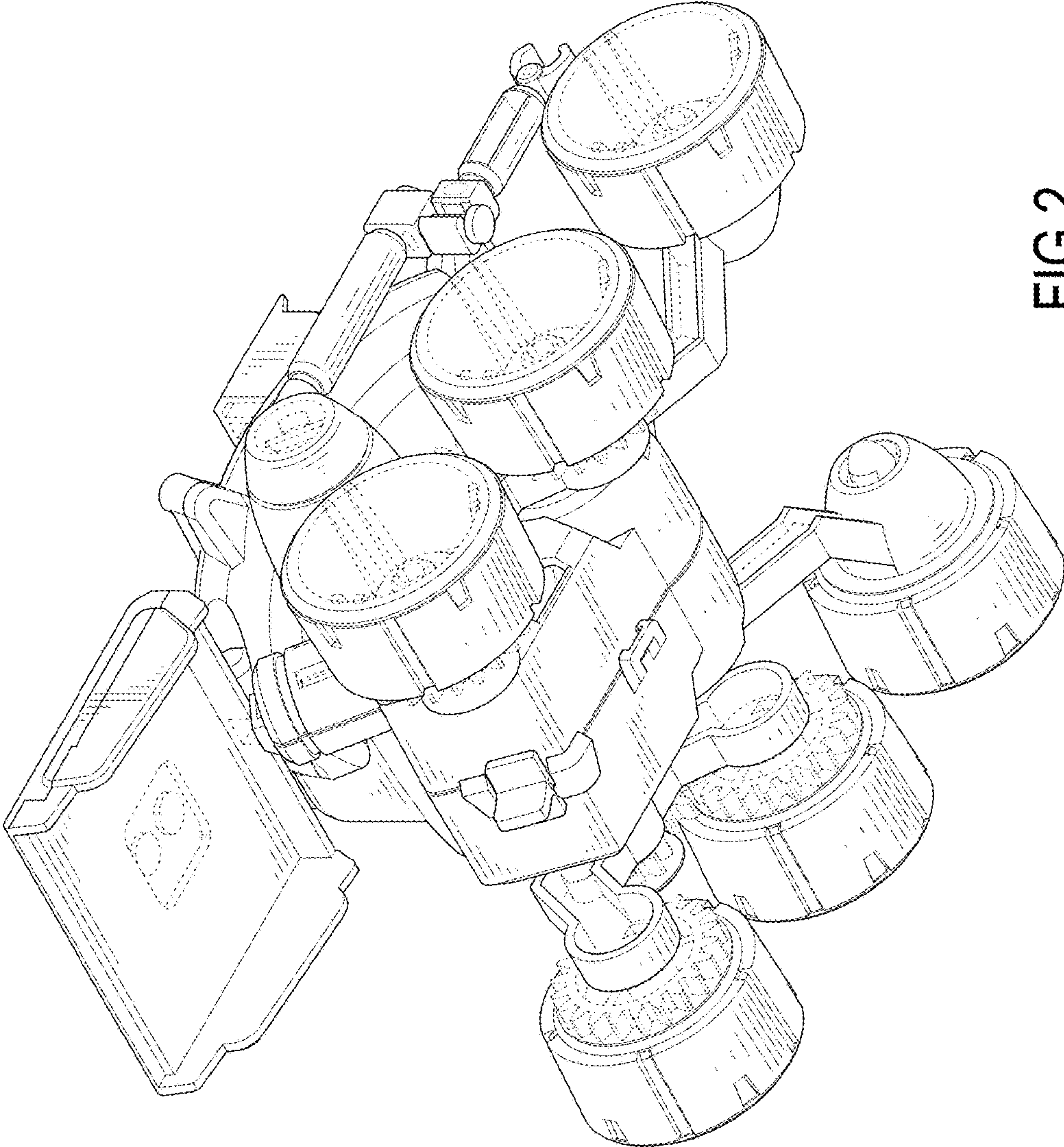


FIG.2

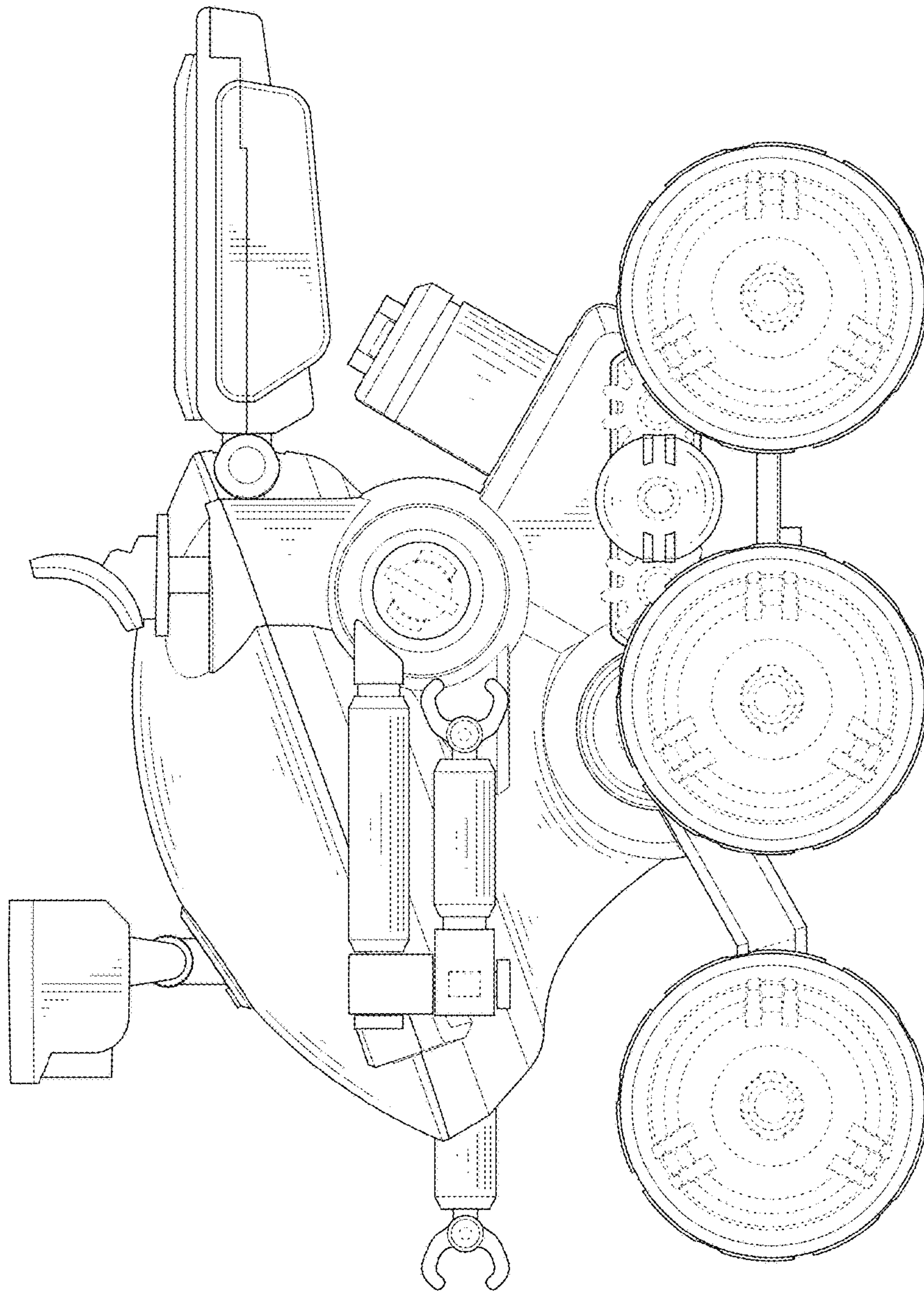


FIG.3

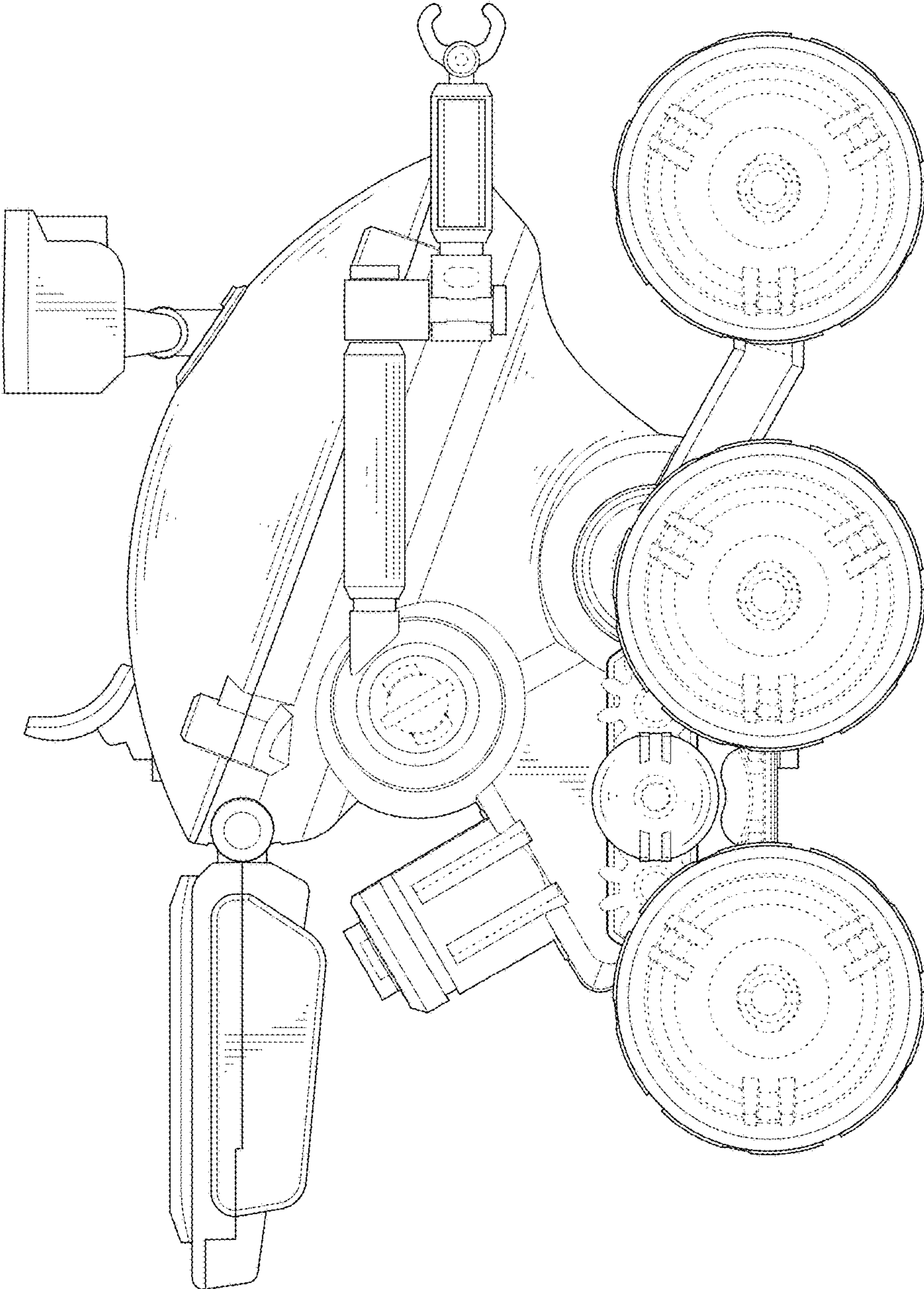


FIG.4

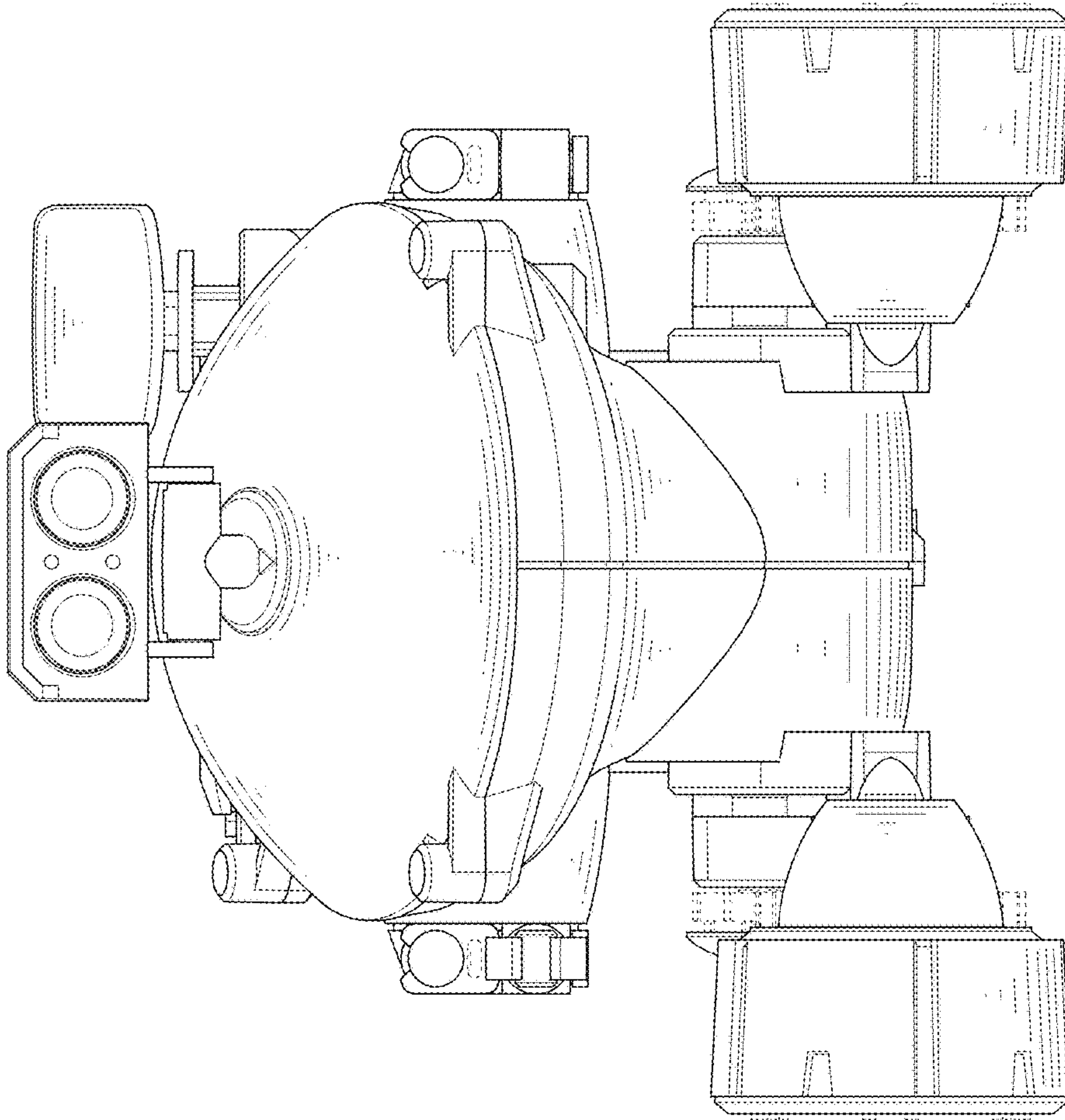


FIG.5

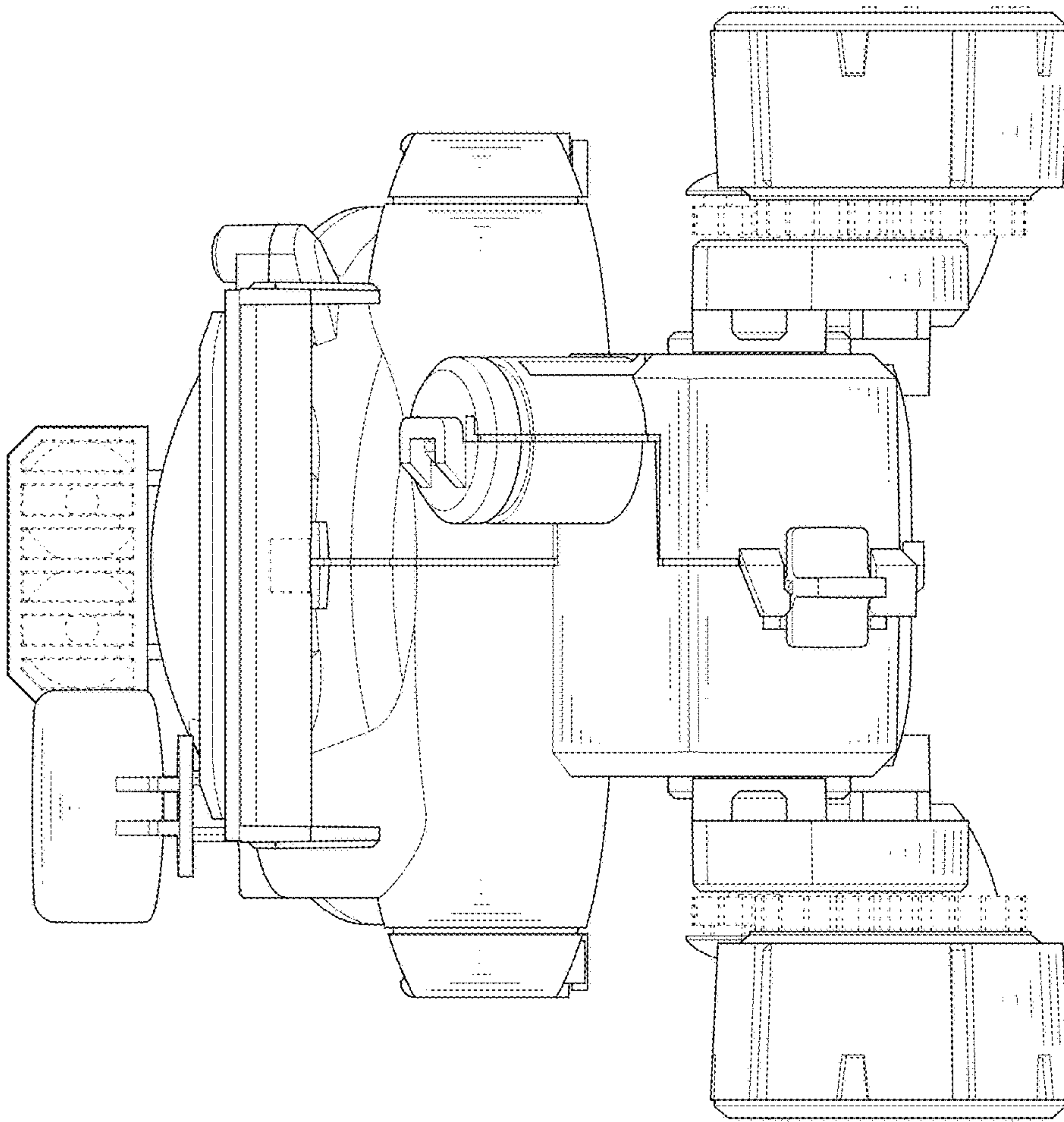


FIG.6

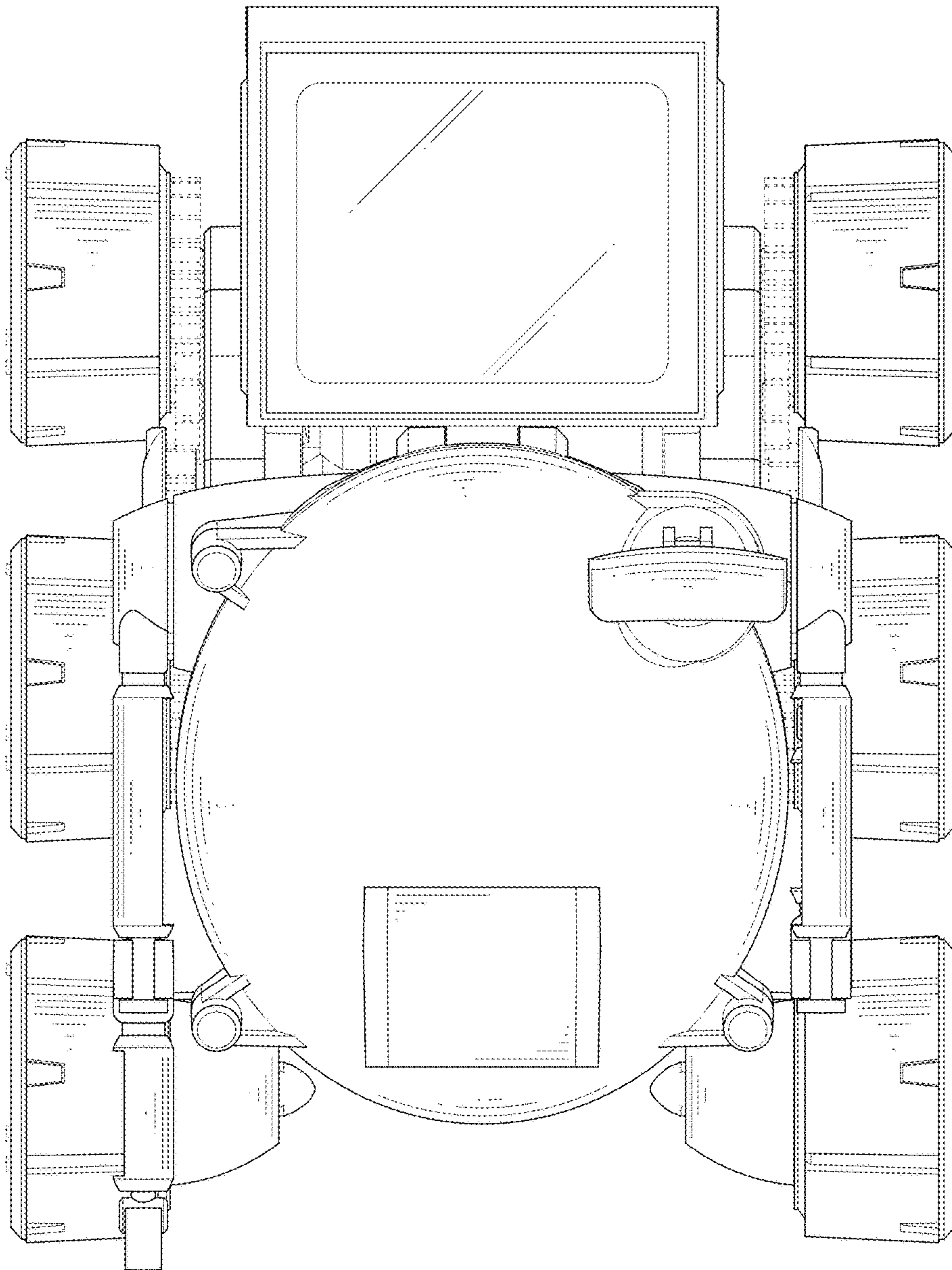


FIG.7

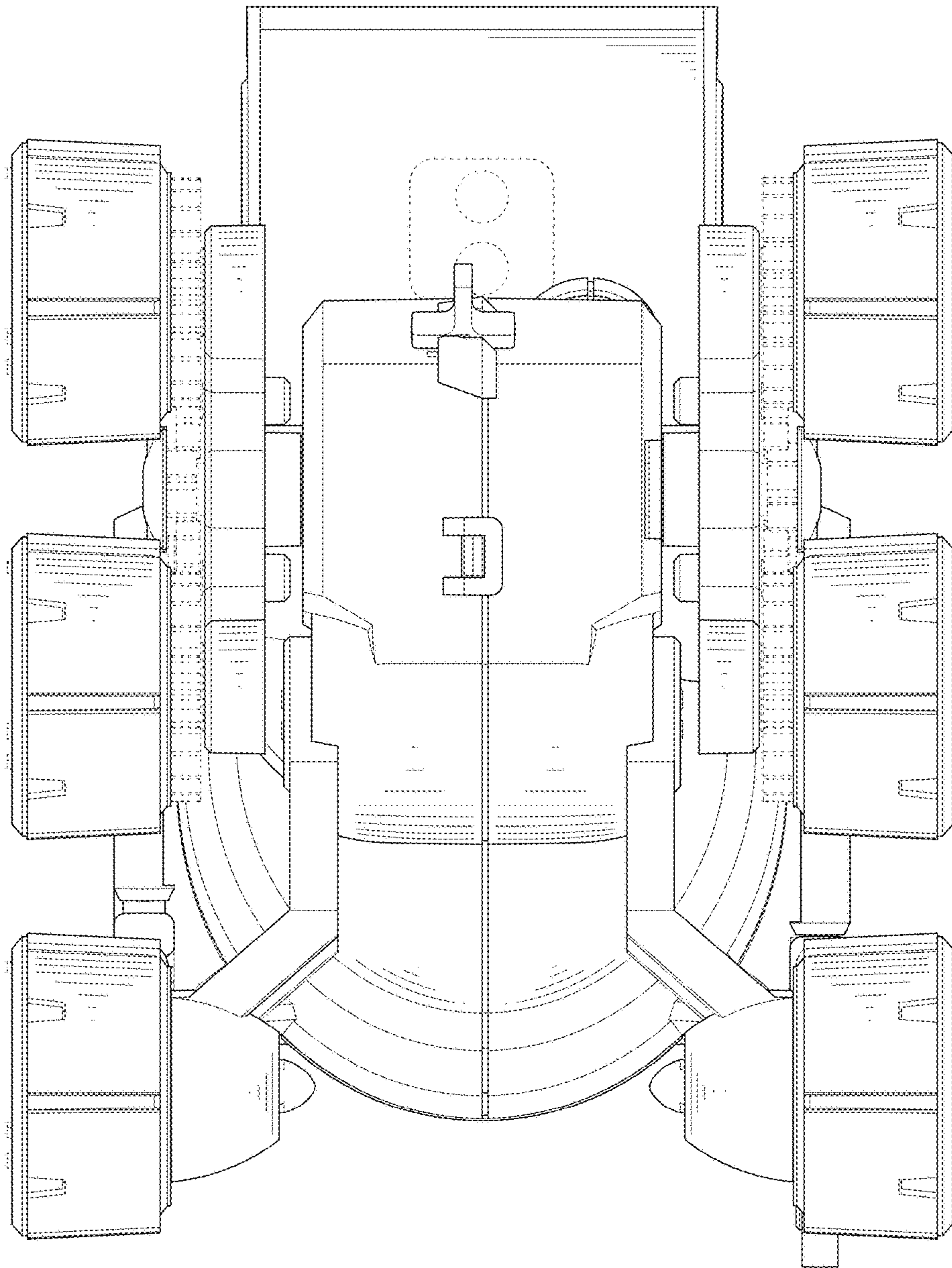


FIG.8