



US00D838319S

(12) **United States Design Patent**
Peng

(10) **Patent No.:** **US D838,319 S**

(45) **Date of Patent:** **** Jan. 15, 2019**

(54) **CONNECTOR PIECE FOR ASSEMBLING TOYS AND FURNITURE**

(71) Applicant: **JiZhong Peng**, Beijing (CN)

(72) Inventor: **JiZhong Peng**, Beijing (CN)

(**) Term: **15 Years**

(21) Appl. No.: **29/622,045**

(22) Filed: **Oct. 13, 2017**

(30) **Foreign Application Priority Data**

Apr. 13, 2017 (CN) 2017 3 0122618
Apr. 14, 2017 (CN) 2017 3 0125063

(51) **LOC (11) Cl.** **21-01**

(52) **U.S. Cl.**
USPC **D21/487**

(58) **Field of Classification Search**
USPC D21/372, 373, 386, 389, 404, 468, 470,
D21/471, 484–505; 446/69, 85, 102–128;
434/208, 259, 403; 273/153, 156, 160;
D25/113–116, 118; D8/382
CPC A63H 33/04; A63H 33/06; A63H 33/08;
A63H 33/084; A63H 33/086; A63H
33/088; A63H 33/10; A63H 33/105;
A63H 33/108

See application file for complete search history.

(56) **References Cited**

U.S. PATENT DOCUMENTS

D214,745 S * 7/1969 Walker 446/127
3,458,949 A * 8/1969 Young A63H 33/108
434/278
3,485,062 A * 12/1969 Blake F16D 3/64
464/149
D227,528 S * 7/1973 Wahl D15/136
4,124,958 A * 11/1978 Chiche A47B 47/0033
312/140

D257,271 S * 10/1980 Gabriel D21/498
4,302,900 A * 12/1981 Rayner A63H 33/062
446/120
4,902,259 A * 2/1990 Ziegler A63H 33/065
446/117
5,715,956 A * 2/1998 Yoshida A47B 47/0033
211/182
D414,276 S * 9/1999 Bruno D21/488
D481,228 S * 10/2003 Shilling D8/382
D481,299 S * 10/2003 Fujioka D8/382

(Continued)

Primary Examiner — Cynthia M. Chin

(74) *Attorney, Agent, or Firm* — Muncy, Geissler, Olds & Lowe, P.C.

(57) **CLAIM**

The ornamental design for a connector piece for assembling toys and furniture, as shown and described.

DESCRIPTION

FIG. 1 is a front perspective view of a connector piece for assembling toys and furniture according to the present invention.

FIG. 2 is a front view of the connector piece for assembling toys and furniture of FIG. 1.

FIG. 3 is a rear view of the connector piece for assembling toys and furniture of FIG. 1.

FIG. 4 is a left side view of the connector piece for assembling toys and furniture of FIG. 1.

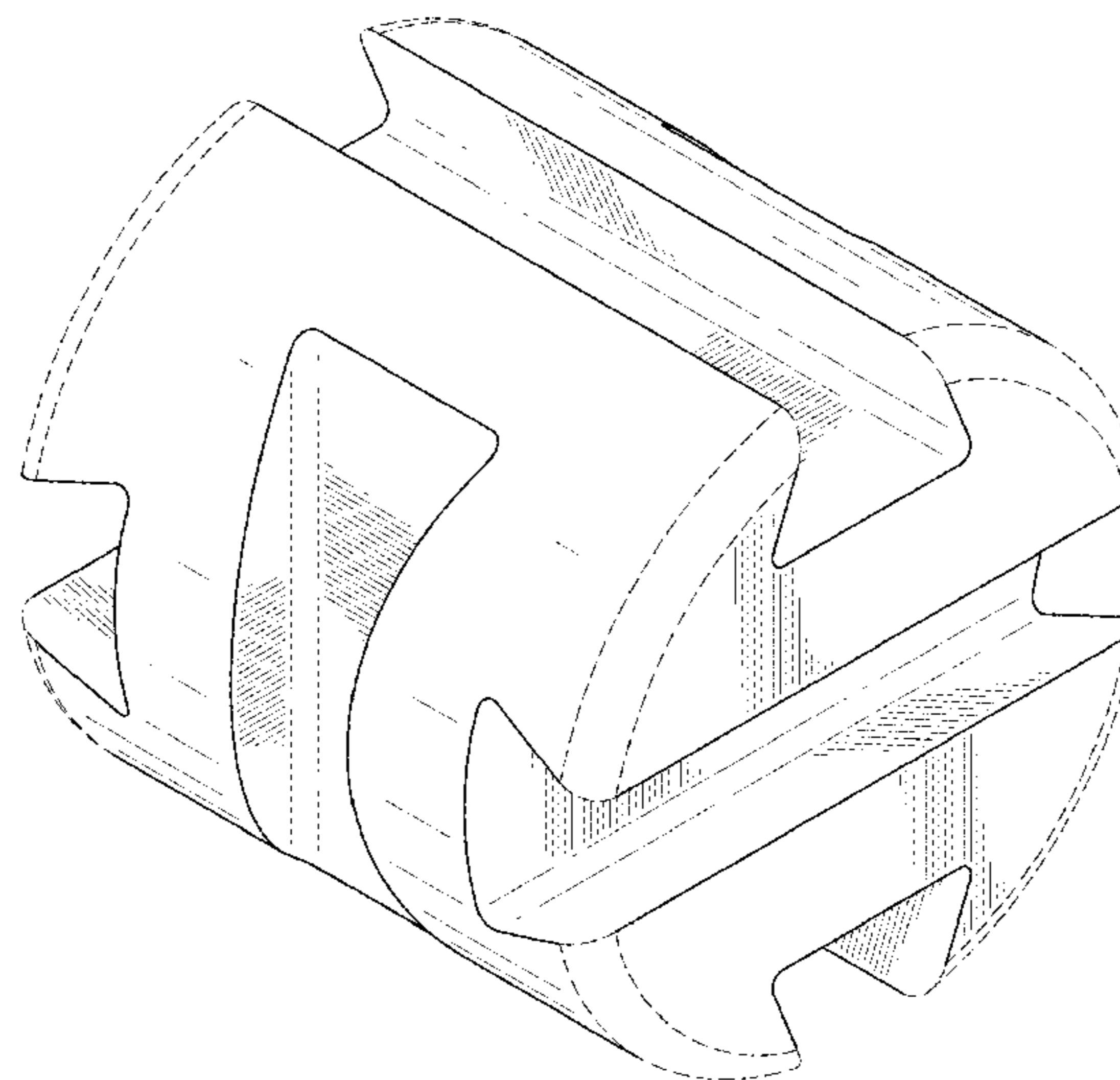
FIG. 5 is a right side view of the connector piece for assembling toys and furniture of FIG. 1.

FIG. 6 is a top view of the connector piece for assembling toys and furniture of FIG. 1; and,

FIG. 7 is a bottom view of the connector piece for assembling toys and furniture of FIG. 1.

The broken lines immediately adjacent the shaded areas represent the bounds of the claim and all other broken lines represent unclaimed portions of the article. None of the broken lines form a part of the claimed design.

1 Claim, 7 Drawing Sheets



(56)

References Cited

U.S. PATENT DOCUMENTS

6,669,036 B1 * 12/2003 Yang A47B 47/0033
211/181.1
D513,471 S * 1/2006 Sato D8/382
D517,616 S * 3/2006 Kim D21/503
D614,481 S * 4/2010 Lewis D8/382
D669,941 S * 10/2012 Kim D21/488
D705,044 S * 5/2014 Hammac D8/380
8,955,928 B2 * 2/2015 Cheng A47F 5/0018
220/4.33
D726,528 S * 4/2015 McCallum D8/382
9,808,734 B2 * 11/2017 Kuo A63H 33/082
2012/0009010 A1 * 1/2012 Wu F16B 5/0032
403/217

* cited by examiner

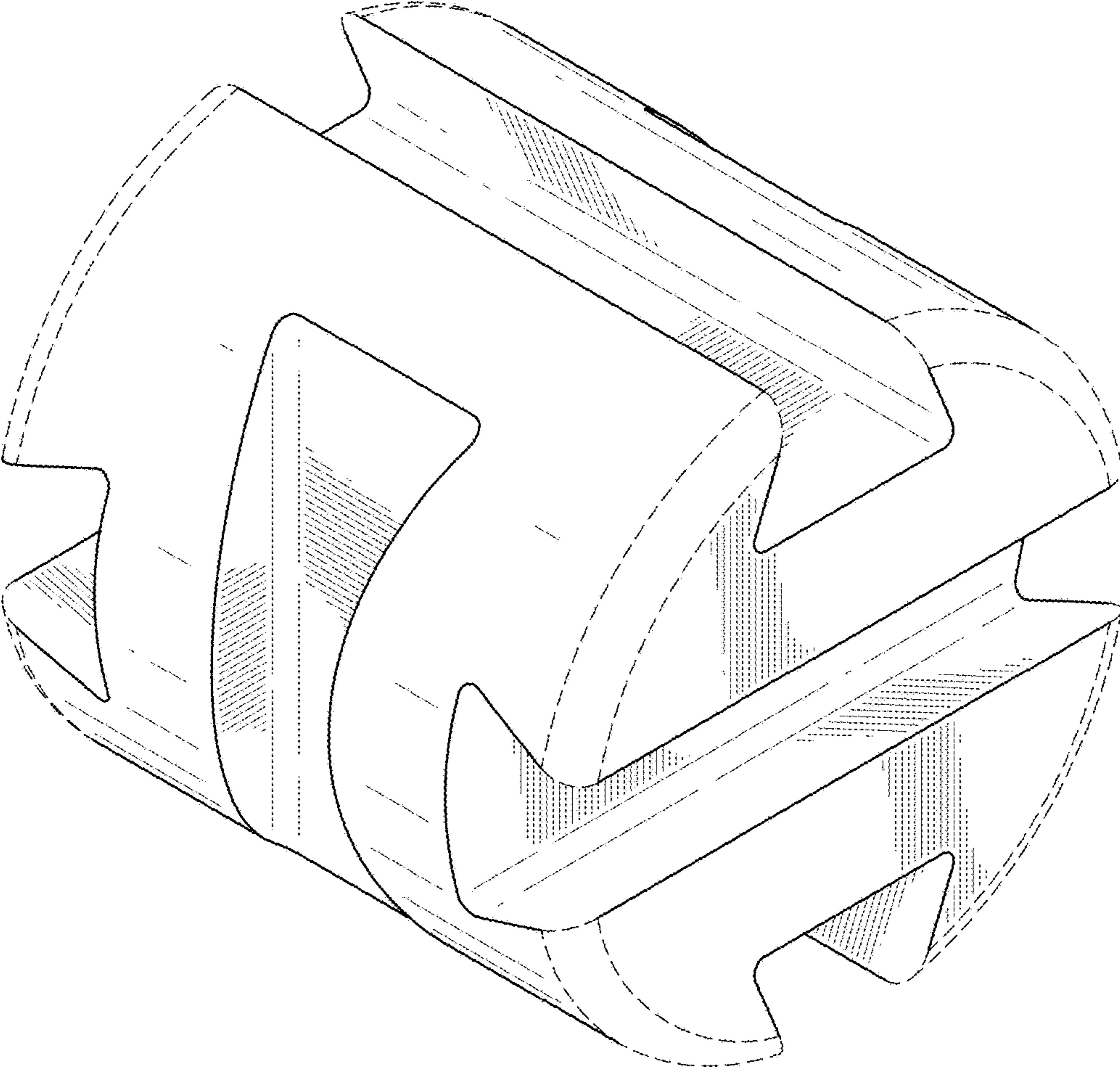


FIG.1

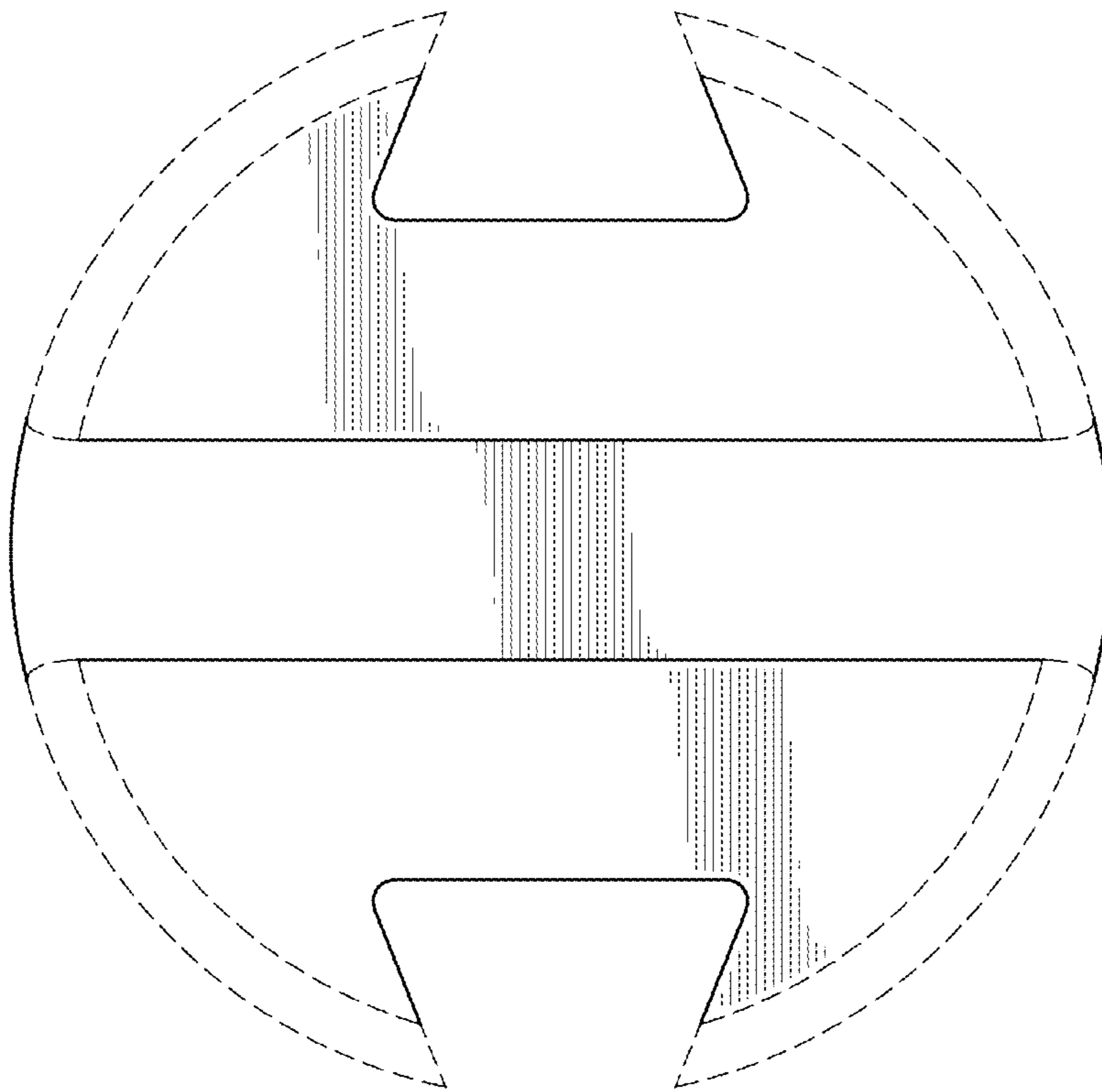


FIG.2

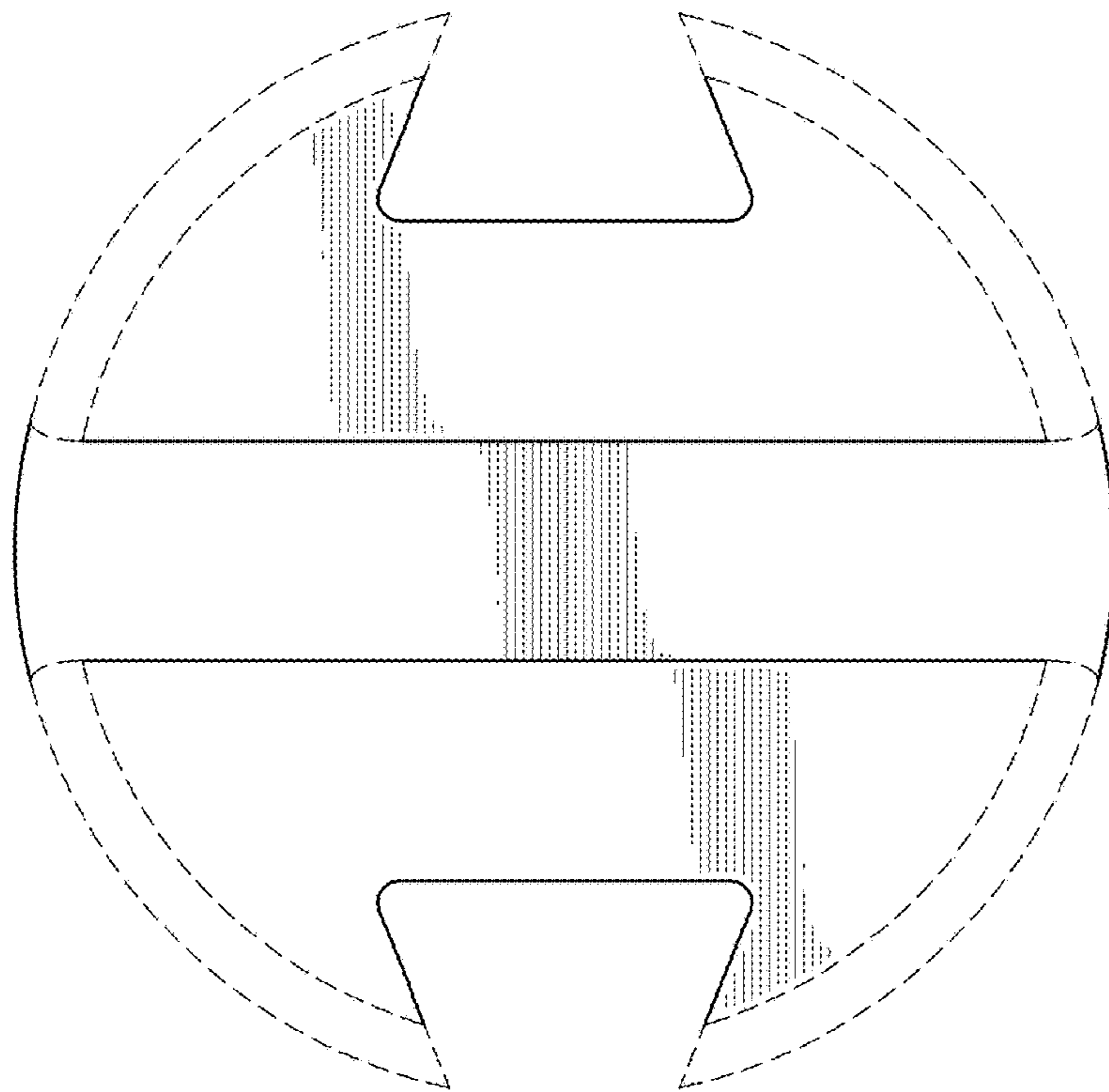


FIG.3

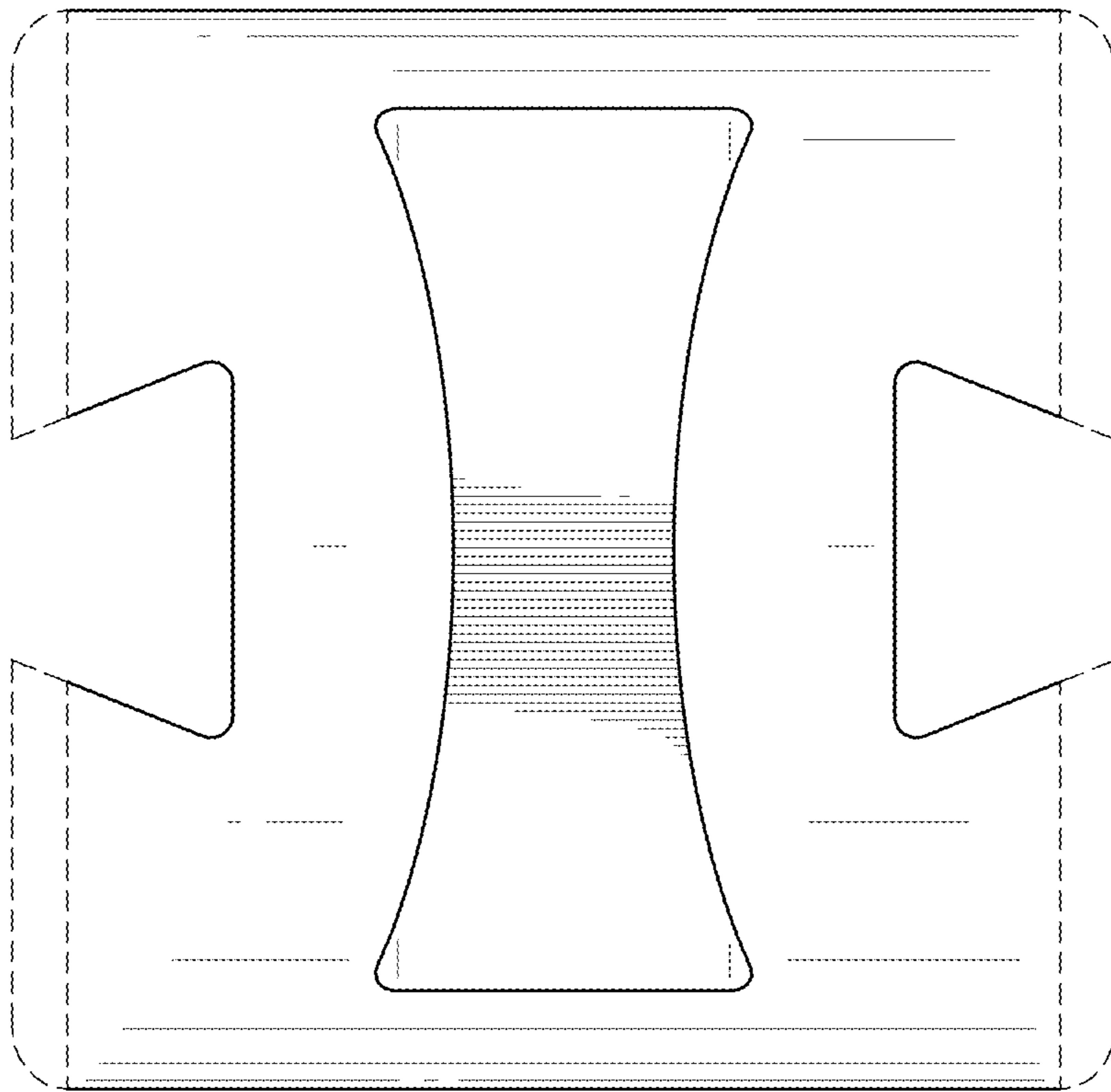


FIG.4

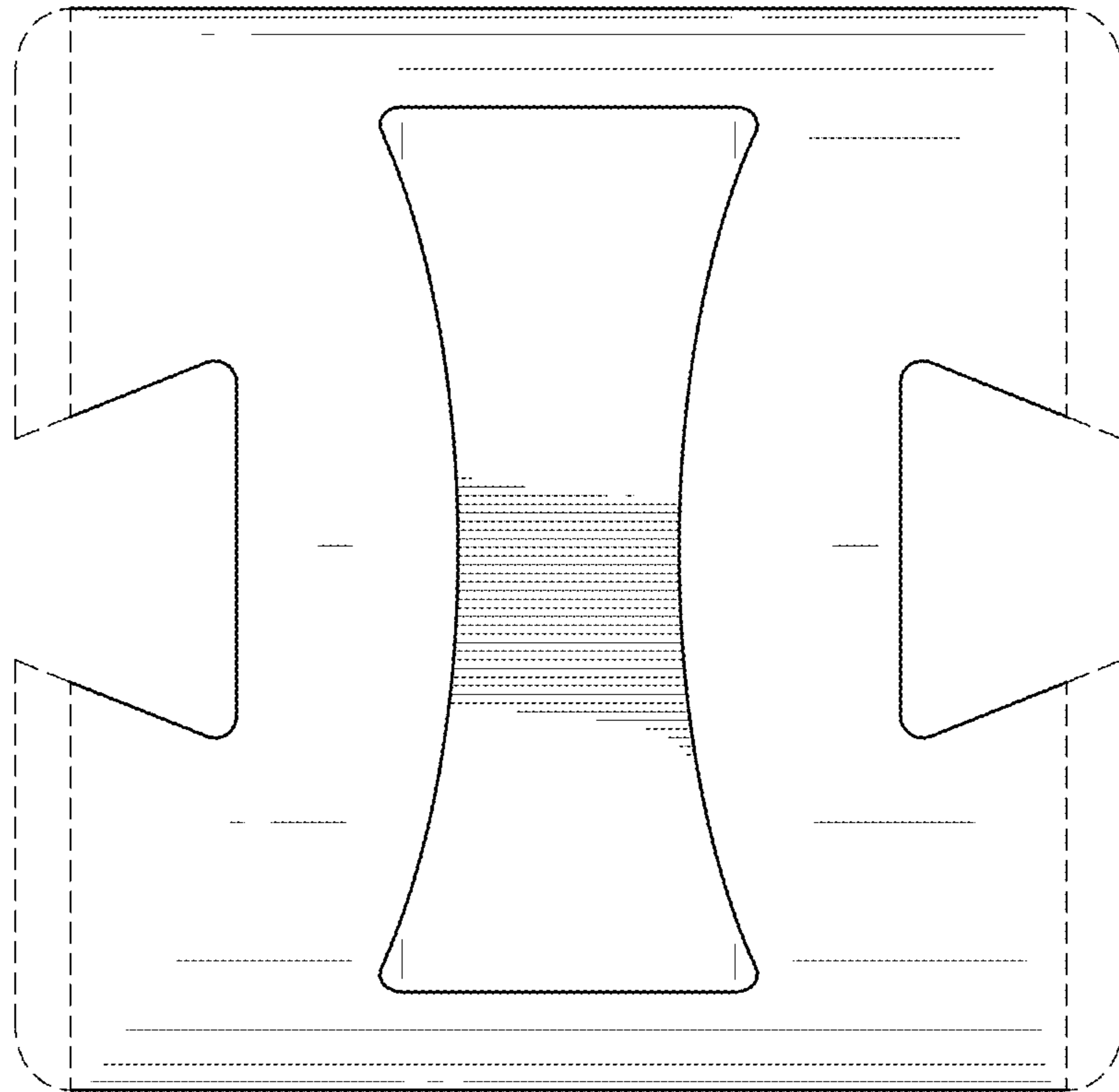


FIG.5

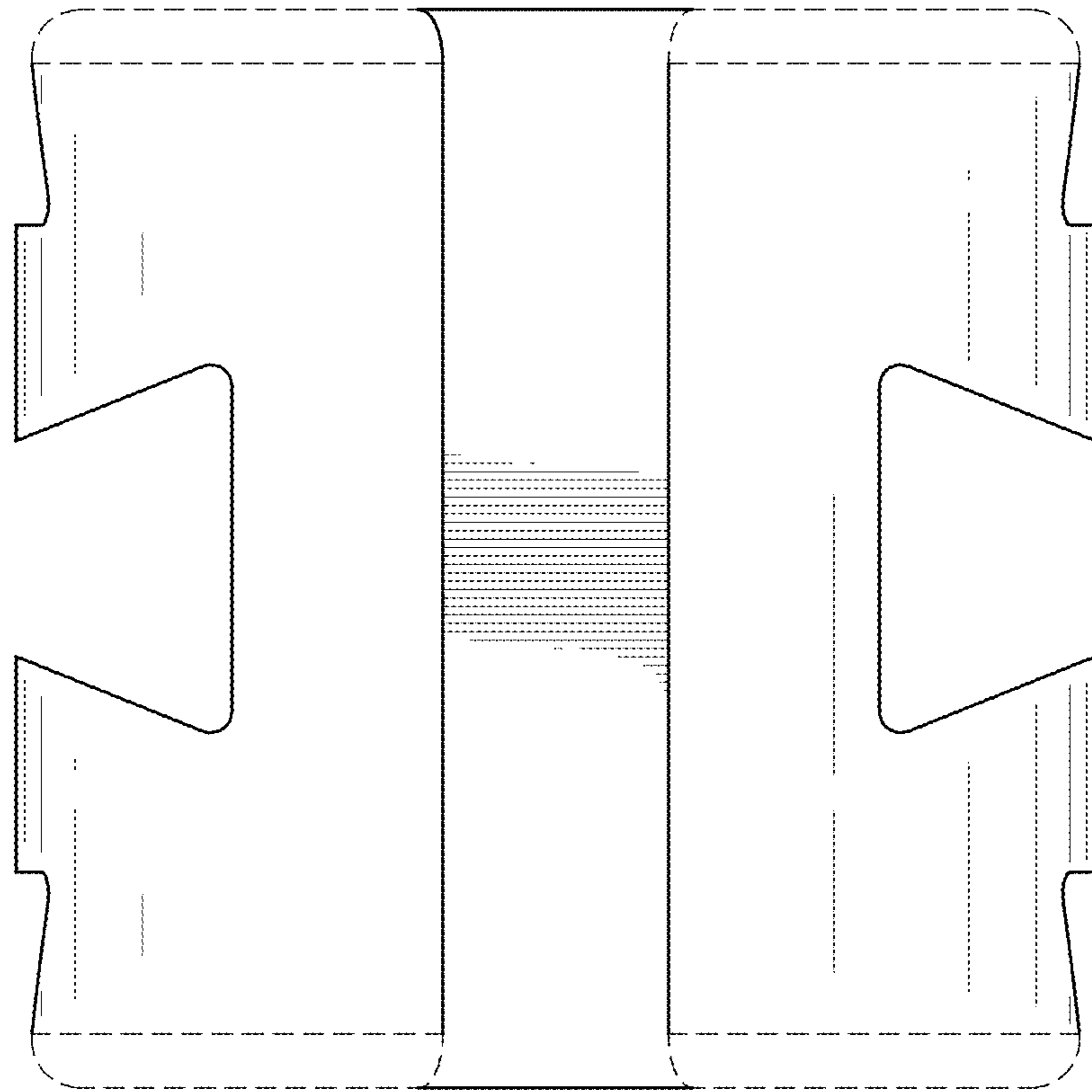


FIG.6

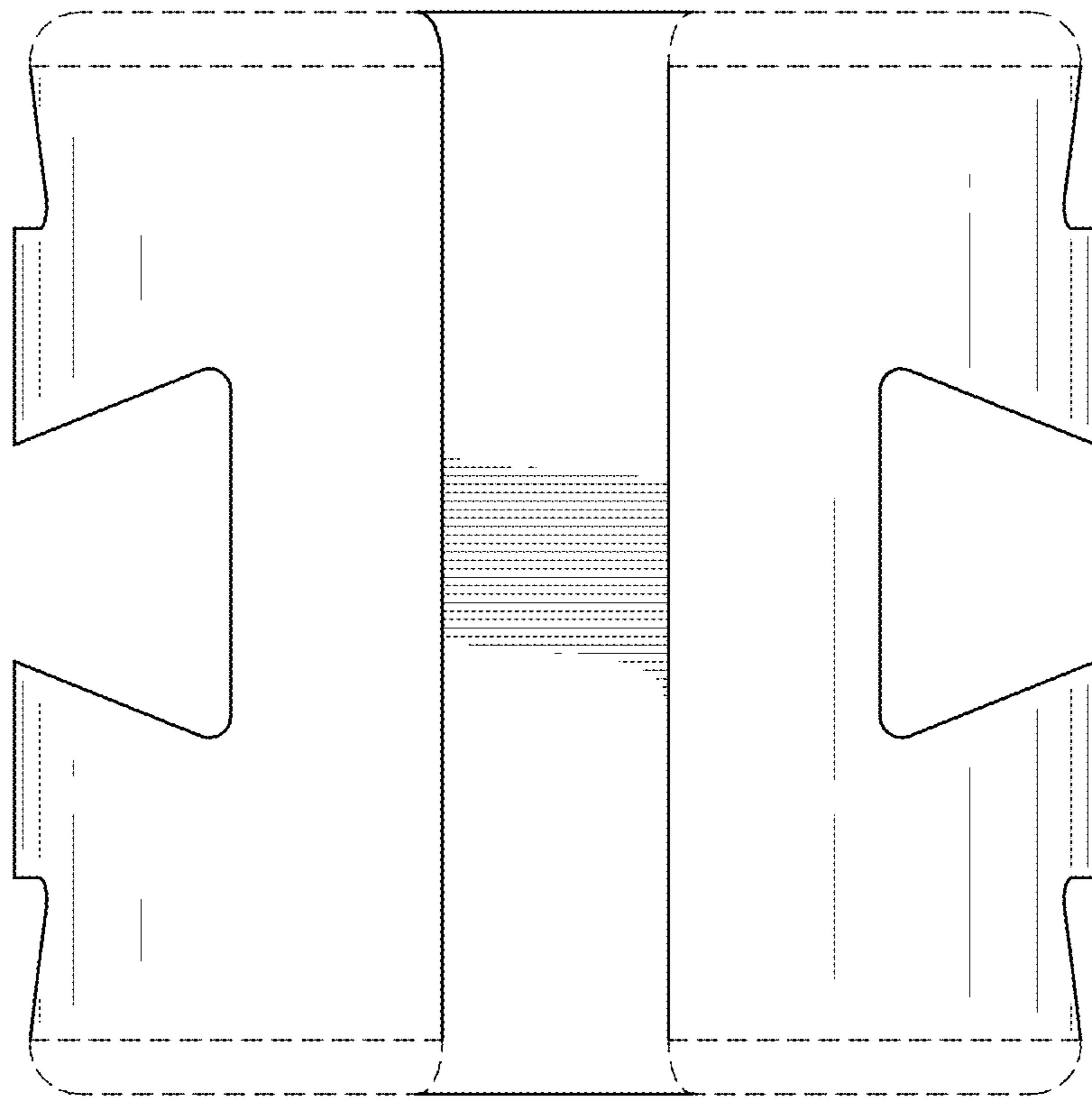


FIG.7