



US00D838317S

(12) **United States Design Patent**  
**Saito**

(10) **Patent No.:** **US D838,317 S**  
(45) **Date of Patent:** **\*\* Jan. 15, 2019**

(54) **LAUNCHING APPARATUS FOR SPINNING TOP TOY**

(71) Applicant: **TOMY COMPANY, LTD.**, Tokyo (JP)

(72) Inventor: **Shina Saito**, Tokyo (JP)

(73) Assignee: **TOMY COMPANY, LTD.**, Tokyo (JP)

(\*\*) Term: **15 Years**

(21) Appl. No.: **29/637,368**

(22) Filed: **Feb. 16, 2018**

(30) **Foreign Application Priority Data**

Aug. 21, 2017 (JP) ..... 2017-017820

(51) **LOC (11) Cl.** ..... **21-01**

(52) **U.S. Cl.**  
USPC ..... **D21/461**

(58) **Field of Classification Search**

USPC ..... D21/454, 455-464, 561, 566, 570;  
446/38-45, 236-266, 429, 430, 462, 489

CPC . A63H 1/00-1/06; A63H 1/12; A63H 17/008;  
A63H 27/14; A63H 29/00; A63H 29/20;  
A63H 29/24; A63H 31/06; A63H 31/08;  
A63F 9/16

See application file for complete search history.

(56) **References Cited**

**U.S. PATENT DOCUMENTS**

D610,211 S *	2/2010	Nishimoto	.....	D21/461
D639,349 S *	6/2011	Horikoshi	.....	D21/461
9,435,820 B1 *	9/2016	Muraki	.....	G01P 3/486
D790,635 S *	6/2017	Horikoshi	.....	D21/461
D790,636 S *	6/2017	Horikoshi	.....	D21/461
D816,781 S *	5/2018	Horikoshi	.....	D21/461
D825,676 S *	8/2018	Horikoshi	.....	D21/461
D829,827 S *	10/2018	Shindo	.....	D21/461
2009/0253504 A1 *	10/2009	Nishimoto	.....	A63F 9/16 463/31

**FOREIGN PATENT DOCUMENTS**

CN	3678352	*	8/2007	
CN	301457974	*	2/2011	
CN	301883427	*	4/2012	
CN	302606941	*	10/2013	
CN	303950983	*	11/2016	
CN	303960465	*	12/2016	
CN	304679021	*	6/2018	
JP	3160157 U	*	6/2010	..... A63H 1/04
JP	3160658 U	*	7/2010	..... A63H 1/04
JP	3164823 U	*	12/2010	..... A63H 1/12
JP	2016189988 A	*	11/2016	..... A63H 1/02
JP	6145206 B1	*	6/2017	..... A63H 1/02
JP	2017169775 A	*	9/2017	
JP	6240350 B1	*	11/2017	..... A63H 31/06
KR	300847436.0000	*	3/2016	
KR	300878246.0000	*	10/2016	

\* cited by examiner

*Primary Examiner* — Catherine A Tuttle

(74) *Attorney, Agent, or Firm* — Staas & Halse LLP

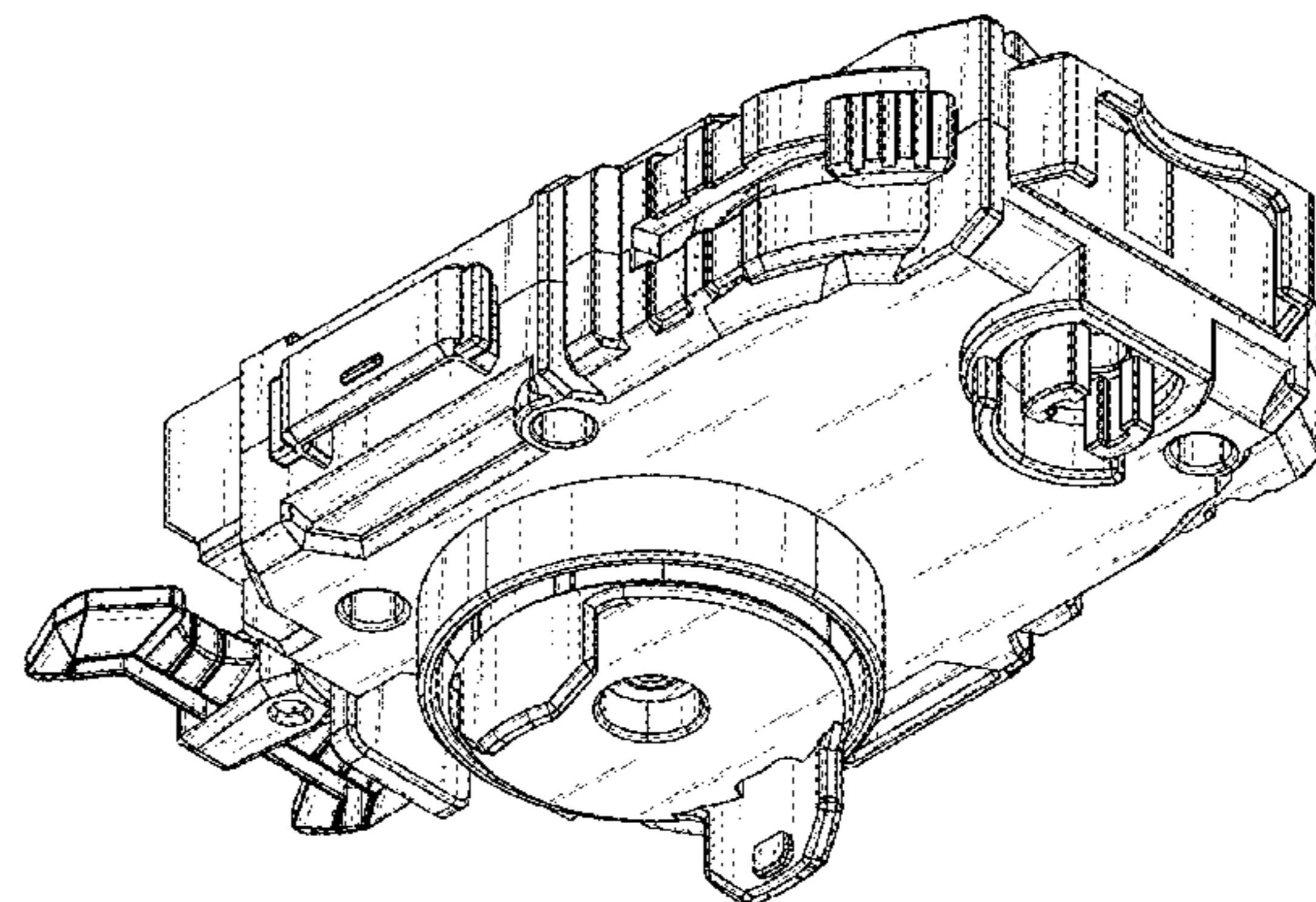
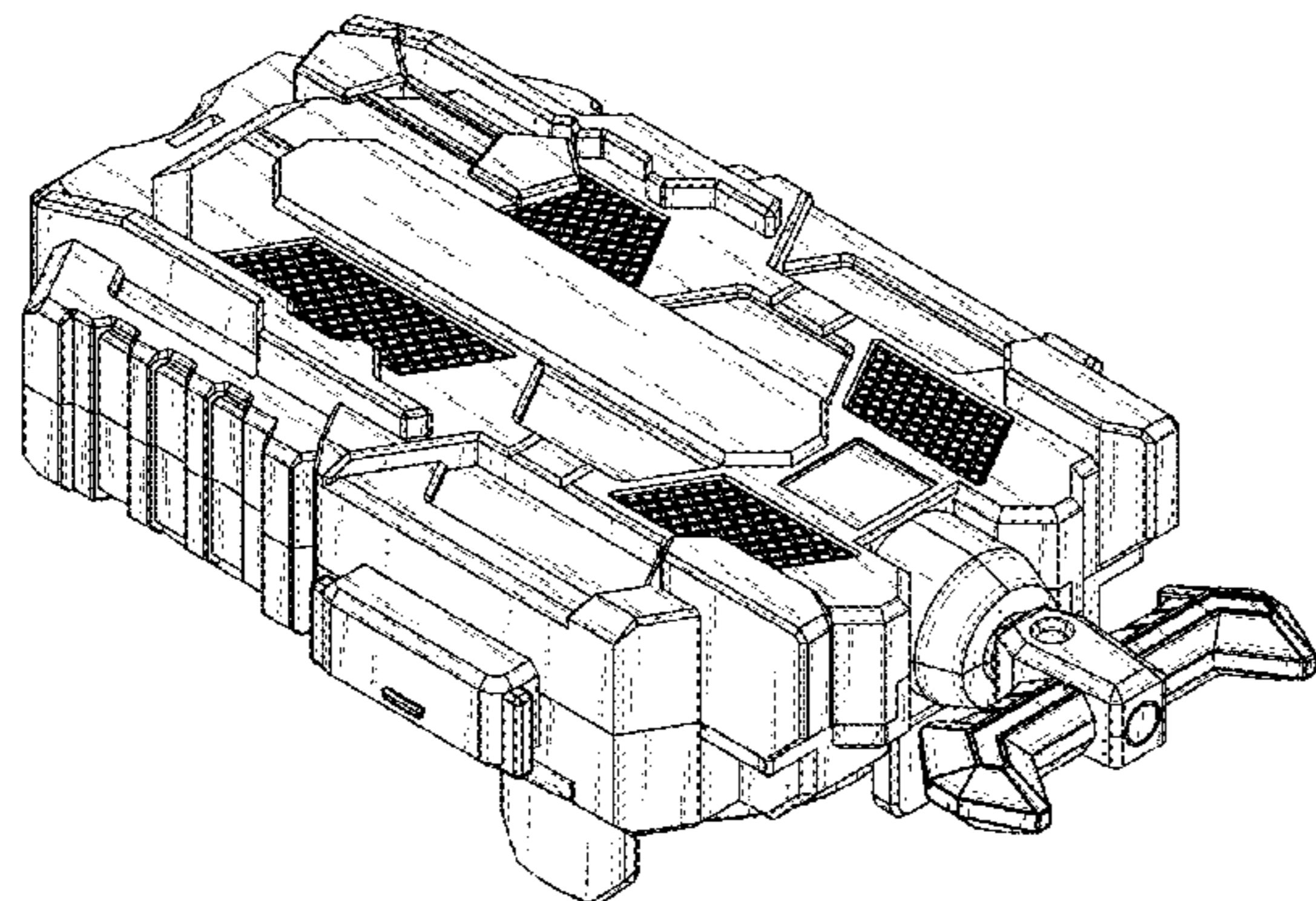
(57) **CLAIM**

The ornamental design for a launching apparatus for spinning top toy, as shown.

**DESCRIPTION**

FIG. 1 is a front view of the launching apparatus for spinning top toy showing my design;  
FIG. 2 is a left side view thereof;  
FIG. 3 is a rear view thereof;  
FIG. 4 is a right side view thereof;  
FIG. 5 is a top view thereof;  
FIG. 6 is a bottom view thereof;  
FIG. 7 is a front perspective view thereof; and,  
FIG. 8 is a rear perspective view thereof.

**1 Claim, 8 Drawing Sheets**



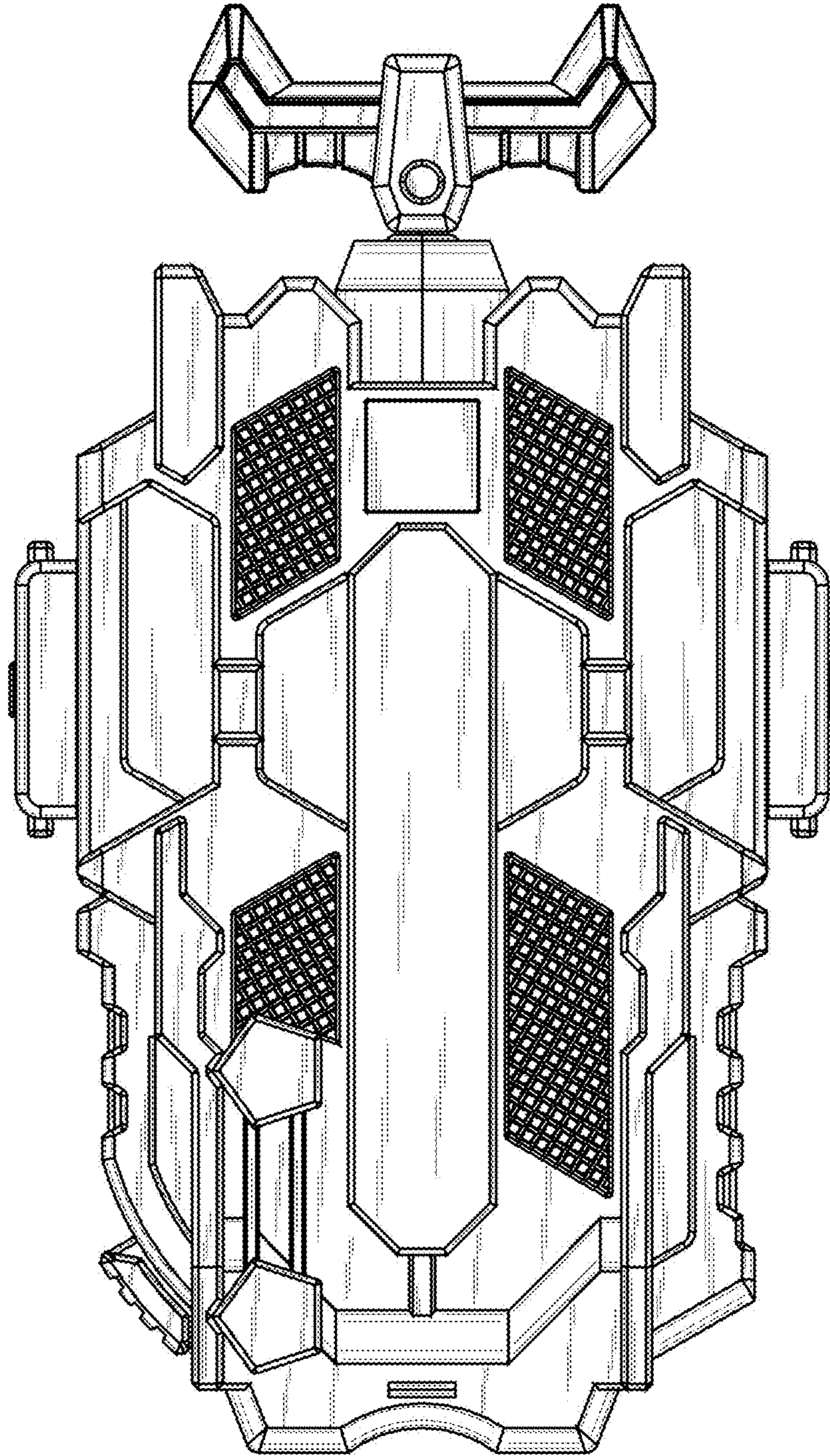


FIG. 1

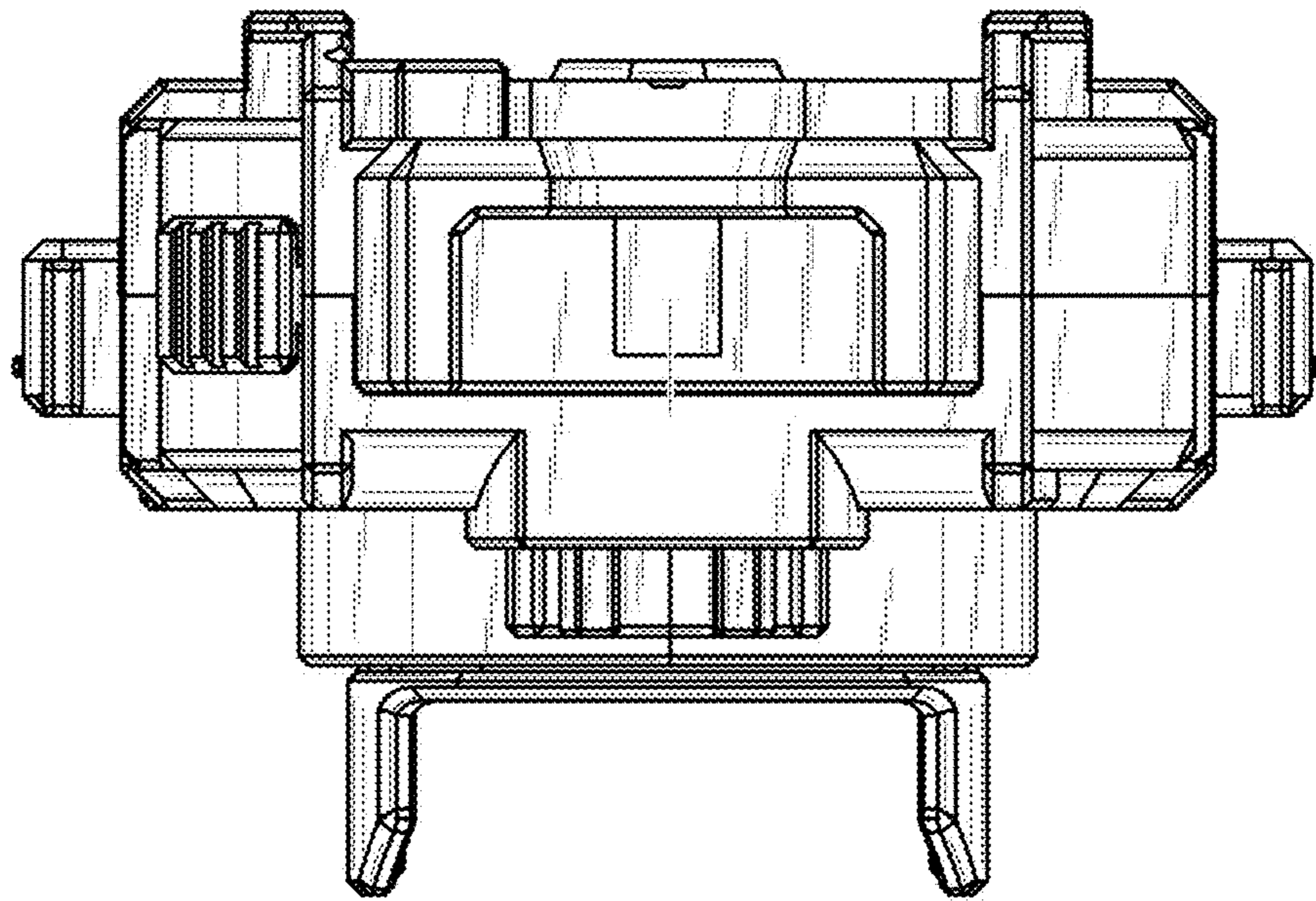


FIG. 2

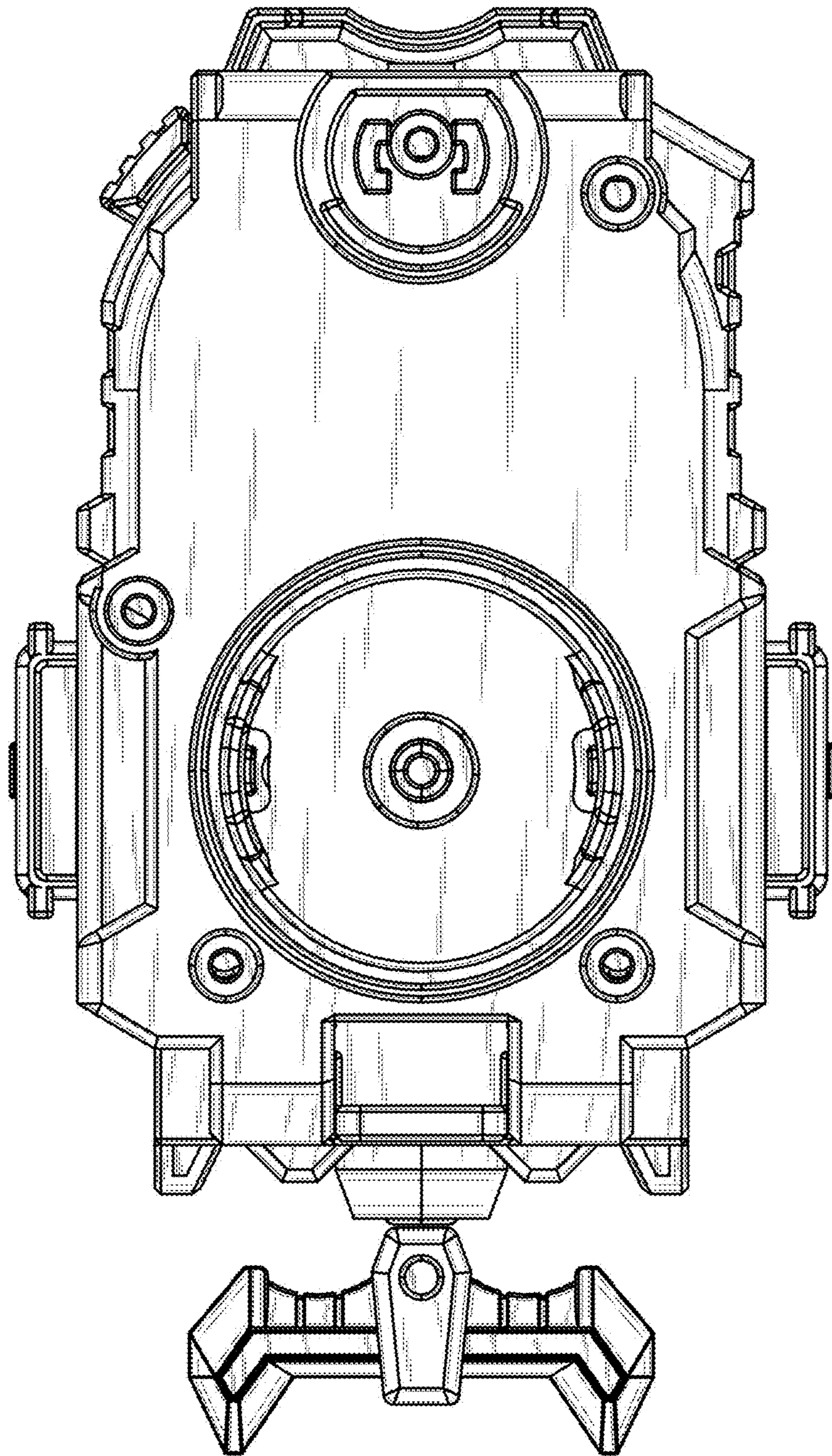


FIG. 3

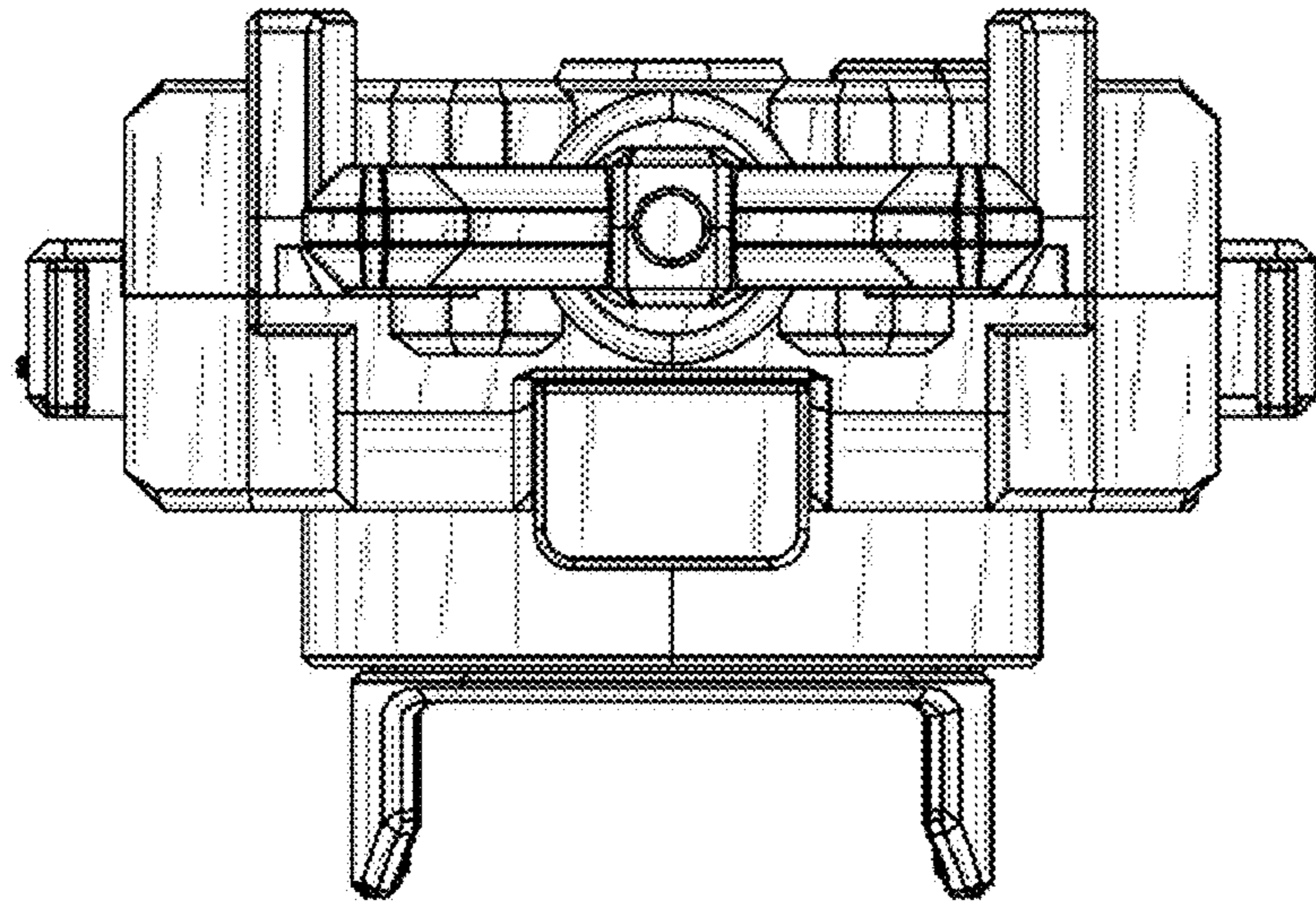


FIG. 4

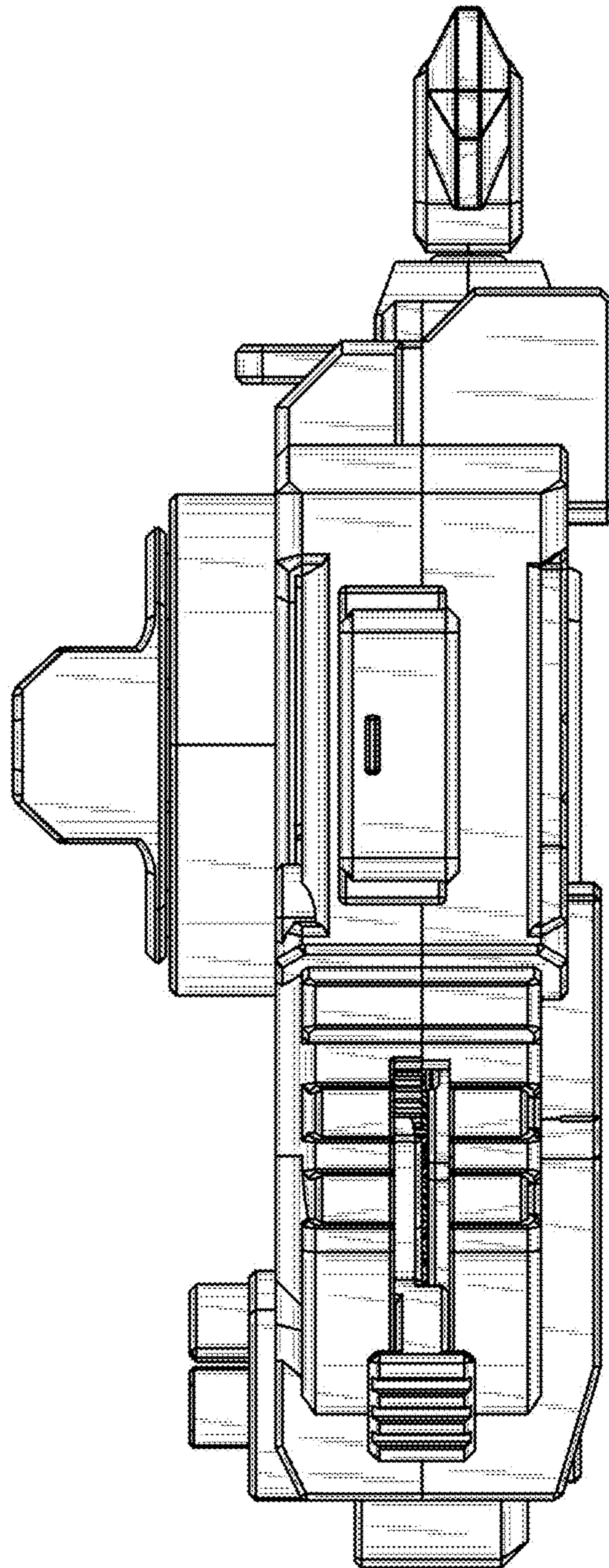


FIG. 5

FIG. 6

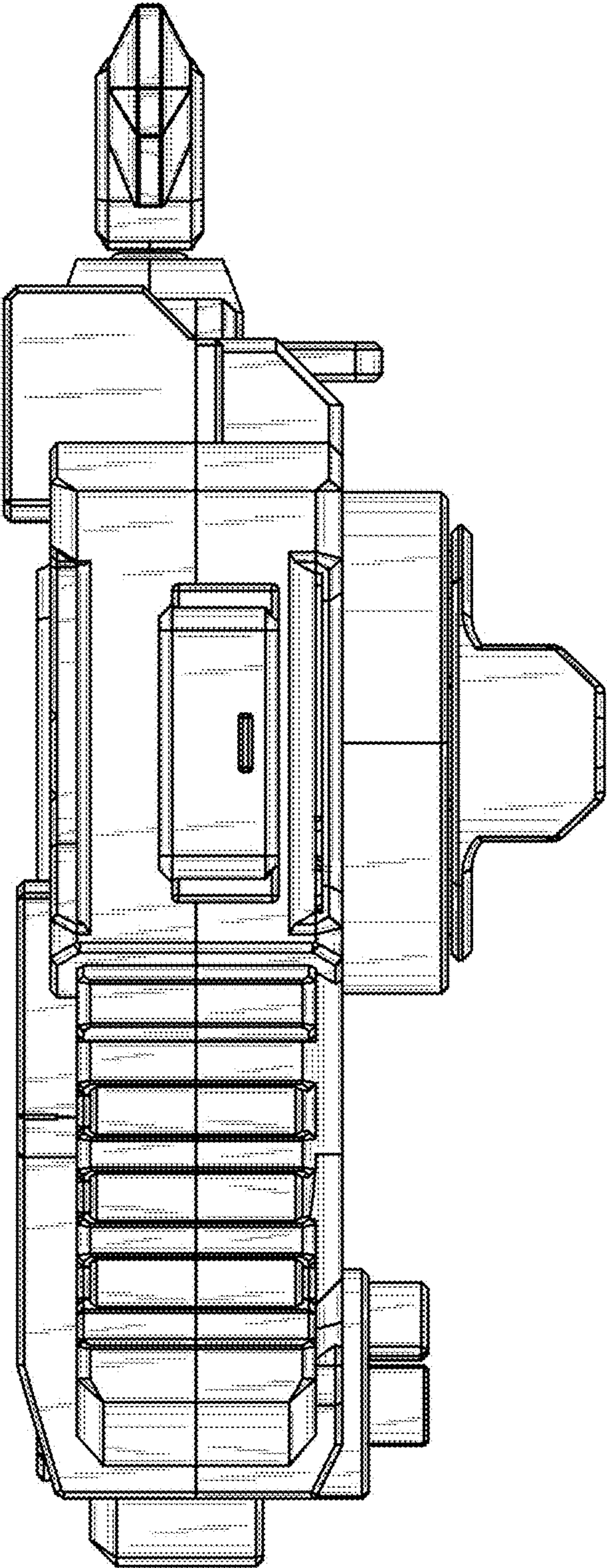
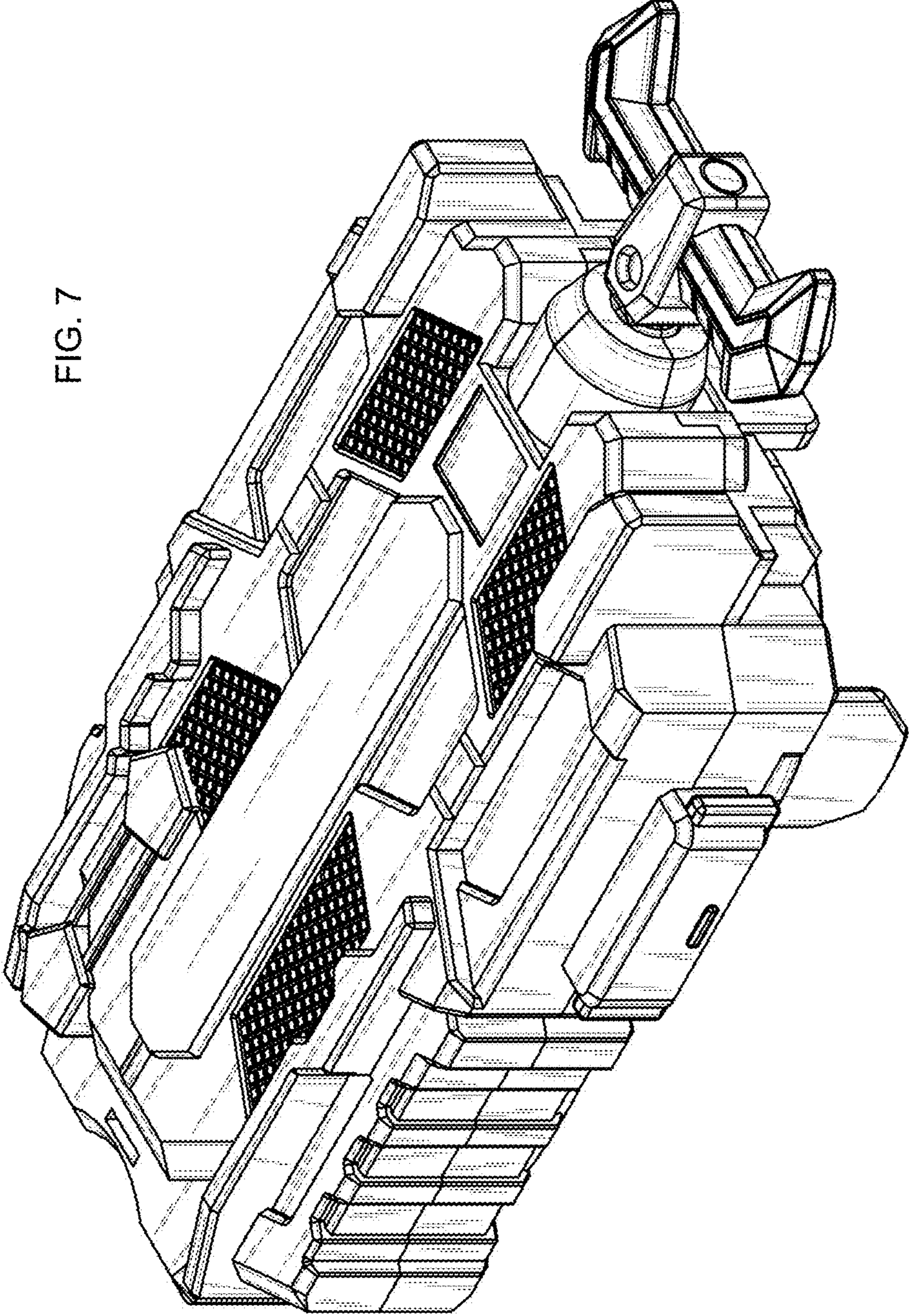


FIG. 7





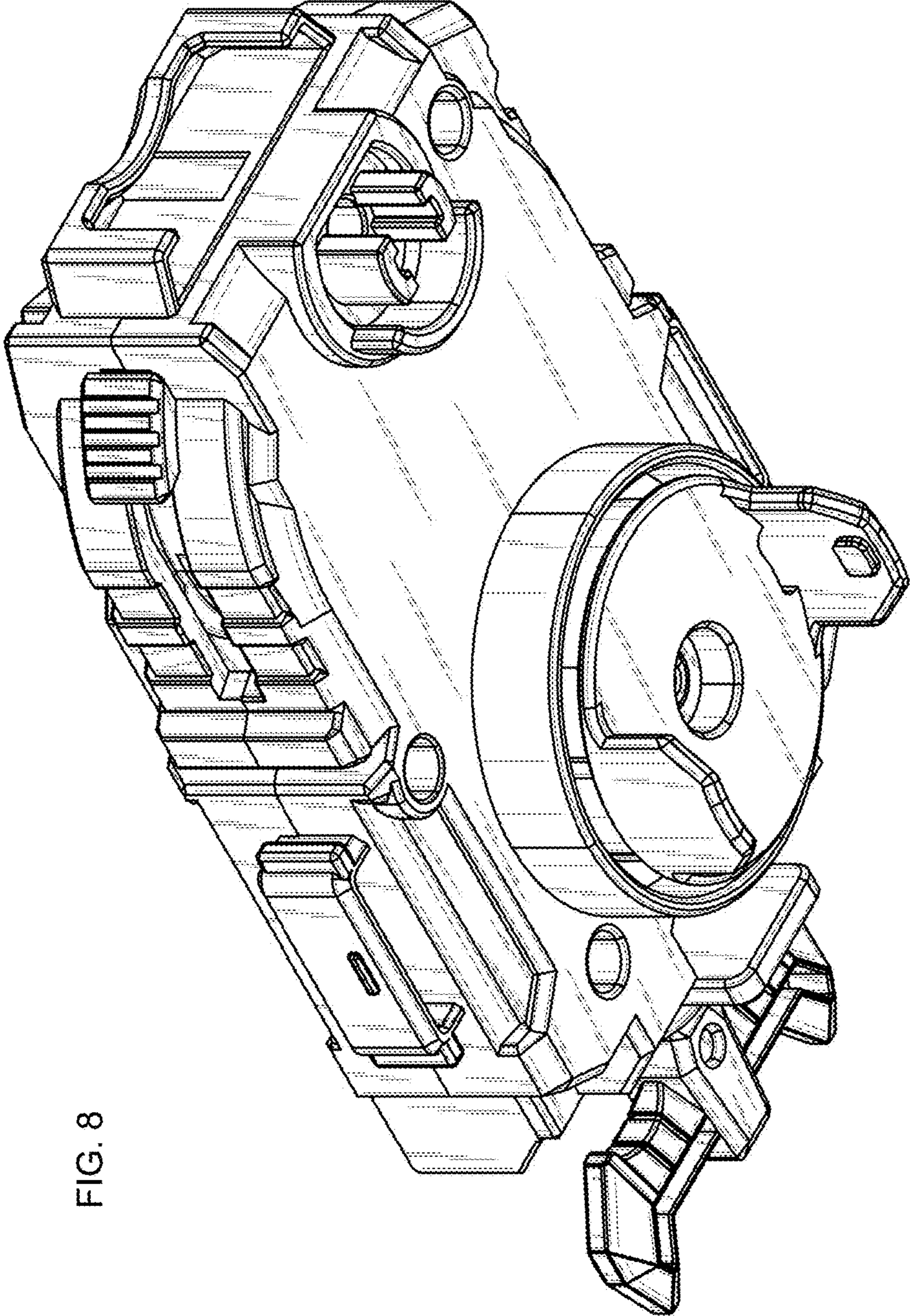


FIG. 8