



US00D838316S

(12) **United States Design Patent**  
**Shindo et al.**

(10) **Patent No.:** **US D838,316 S**  
(45) **Date of Patent:** **\*\* Jan. 15, 2019**

(54) **PLAYING SURFACE FOR SPINNING TOY TOP**

(71) Applicant: **TOMY COMPANY, LTD.**, Tokyo (JP)

(72) Inventors: **Yukihiro Shindo**, Tokyo (JP); **Kenji Horikoshi**, Tokyo (JP)

(73) Assignee: **TOMY COMPANY, LTD.**, Tokyo (JP)

(\*\*) Term: **15 Years**

(21) Appl. No.: **29/620,367**

(22) Filed: **Nov. 7, 2016**

(30) **Foreign Application Priority Data**

Jun. 1, 2016 (JP) ..... 2016-011739

(51) **LOC (11) Cl.** ..... **21-01**

(52) **U.S. Cl.**  
USPC ..... **D21/461; D21/460; D21/338**

(58) **Field of Classification Search**

USPC ..... D21/300, 301, 312, 322, 324, 334, 336, D21/338, 341, 347, 373-375, 385, 395, D21/397, 398, 461, 455, 456, 460; 273/359, 110, 237, 241, 280, 287, 147, 273/309, 441, 454, DIG. 14; 446/3, 168, 446/236, 256, 257, 259, 429, 430, 484, 446/487

CPC .. A63F 9/16; A63F 2009/165; A63F 3/00173; A63F 3/00176; A63F 3/00214; A63F 3/00643; A63F 2003/00201; A63F 2003/00217; A63F 2003/0022; A63F 2003/00223; A63F 2003/00261; A63F 2003/00264; A63F 2003/00268; A63F 2003/00271; A63F 2003/00274; A63F 2003/00283; A63F 2003/00302; A63F 2003/00318; A63F 2003/00343; A63F

(Continued)

(56) **References Cited**

U.S. PATENT DOCUMENTS

D209,410 S \* 11/1967 Grant ..... D21/374  
3,643,954 A \* 2/1972 Meyer ..... A63F 9/02  
273/119 A

(Continued)

FOREIGN PATENT DOCUMENTS

CA 2916065 A1 \* 1/2015 ..... A63H 1/02  
EP 0077438 A2 \* 4/1983 ..... A63F 9/16

(Continued)

*Primary Examiner* — Catherine A Tuttle

(74) *Attorney, Agent, or Firm* — Staas & Halsey LLP

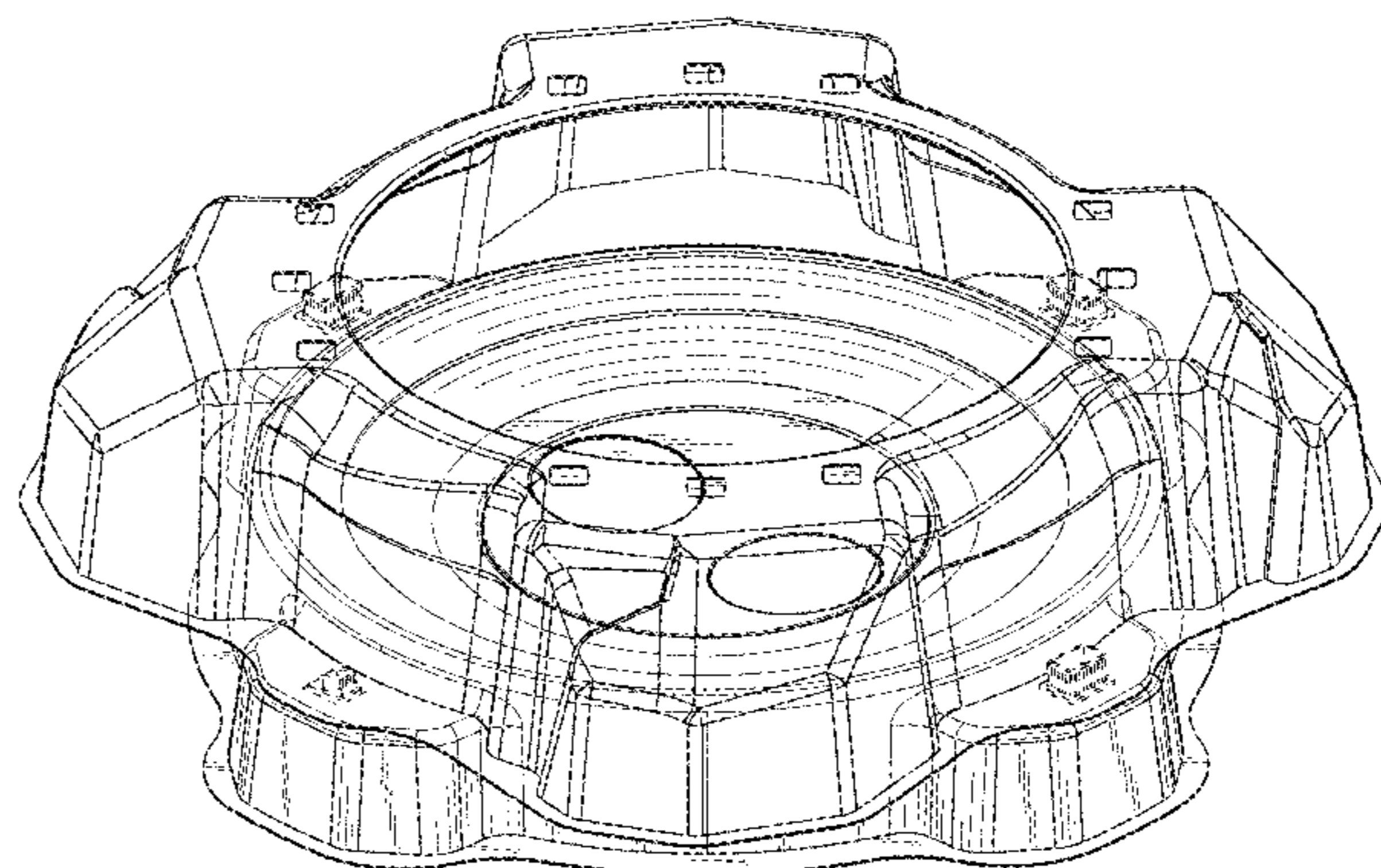
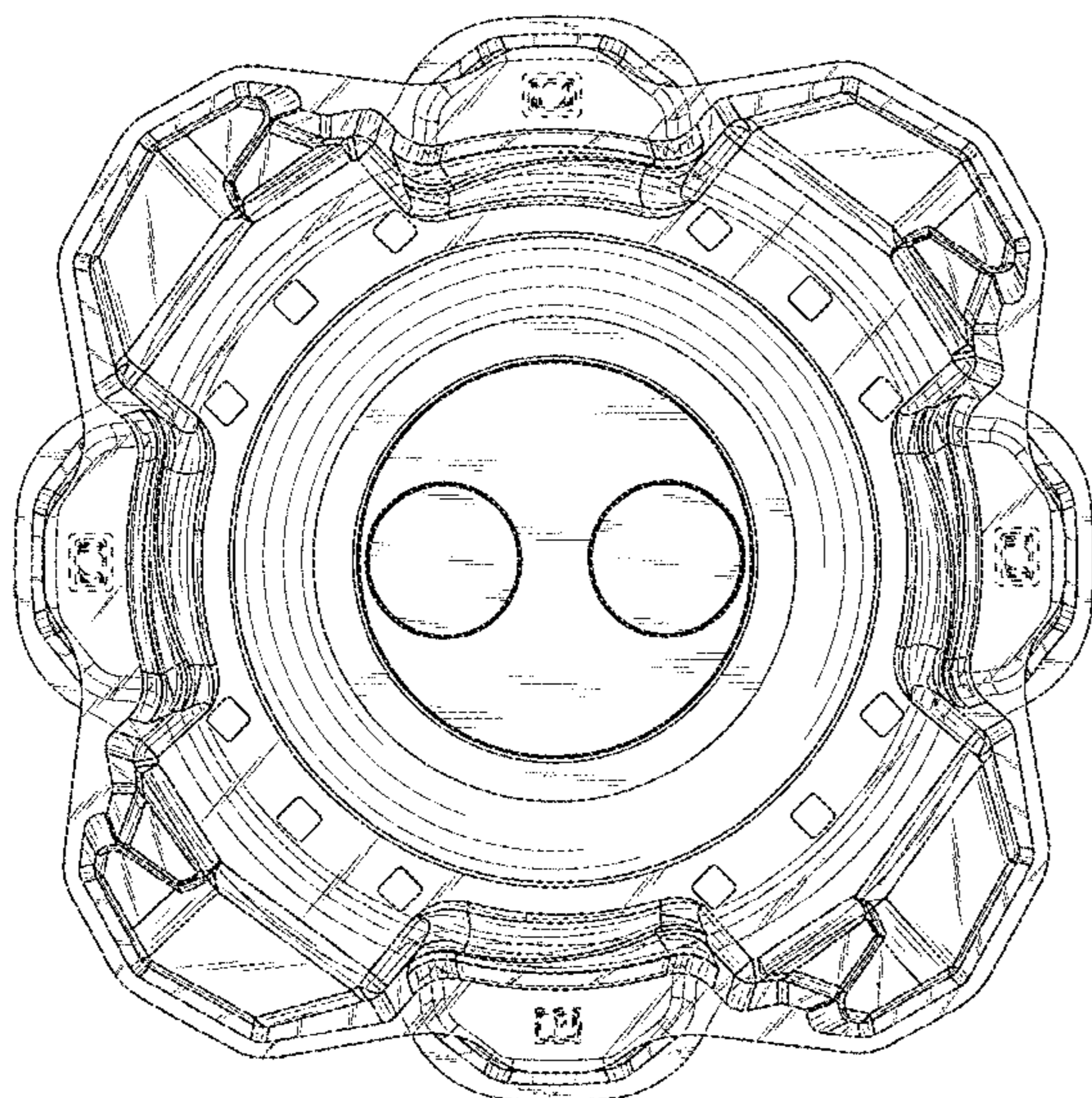
(57) **CLAIM**

The ornamental design for a playing surface for spinning top toy, as shown and described.

**DESCRIPTION**

FIG. 1 is a front view of the playing surface for spinning top toy showing our design;  
FIG. 2 is a left side view thereof;  
FIG. 3 is a rear view thereof;  
FIG. 4 is right side view thereof;  
FIG. 5 is a top view thereof;  
FIG. 6 is a bottom view thereof;  
FIG. 7 is a perspective view wherein the oblique line hatching and portions underlying the transparent top have been omitted for a clear disclosure of its exterior structure;  
FIG. 8 is a perspective view similar to FIG. 7 but with the addition of oblique line hatching indicating the transparent areas; and,  
FIG. 9 is a perspective view similar to FIG. 8, but with showing the portions visible behind the transparent top.  
The dotted lines are included for the purpose of illustrating elements of the playing surface for spinning top toy that form no part of the claimed design.

**1 Claim, 9 Drawing Sheets**



(58) **Field of Classification Search**

CPC ..... 2003/00394; A63F 2003/00403; A63F  
 2003/00435; A63F 2003/00447; A63F  
 2003/00457; A63F 2003/00463; A63F  
 2003/0047; A63F 2003/00485; A63F  
 2003/00492; A63F 2003/00514; A63F  
 2003/00517; A63F 7/0005; A63F 7/0223;  
 A63F 7/30; A63F 7/38; A63F 7/382;  
 A63F 2007/3005; A63F 2007/3035; A63F  
 2007/3637; A63F 2007/367; A63F  
 2007/3677; A63F 2007/3681; A63H 1/00;  
 A63H 1/02; A63H 1/04; A63H 1/06;  
 A63H 1/12; A63H 1/16

See application file for complete search history.

(56) **References Cited**

U.S. PATENT DOCUMENTS

3,674,271 A \* 7/1972 De Gelder ..... A63H 1/00  
 273/115  
 D246,609 S \* 12/1977 Kanno ..... D21/312  
 4,061,334 A \* 12/1977 Kanno ..... A63F 9/02  
 273/109  
 4,696,477 A \* 9/1987 Tsuzuki ..... A63F 9/30  
 273/241  
 D297,951 S \* 10/1988 Mayuzumi ..... D21/336  
 4,982,961 A \* 1/1991 Ichimura ..... A63F 9/16  
 273/109  
 5,518,437 A \* 5/1996 Nonaka ..... A63H 1/02  
 446/259

5,695,194 A \* 12/1997 Nagel ..... A63F 9/02  
 273/340  
 5,782,351 A \* 7/1998 Shoptaugh ..... B65D 51/249  
 206/315.1  
 6,905,389 B2 \* 6/2005 Matsukawa ..... A63F 3/00895  
 446/256  
 6,913,506 B2 \* 7/2005 Tiefel ..... A63H 1/06  
 273/147  
 D606,125 S \* 12/2009 Ujita ..... D21/397  
 D606,126 S \* 12/2009 Ujita ..... D21/397  
 D806,801 S \* 1/2018 Shindo ..... D21/338  
 D811,487 S \* 2/2018 Shindo ..... D21/338  
 9,901,811 B2 \* 2/2018 Shindo ..... A63H 1/02  
 2009/0253504 A1 \* 10/2009 Nishimoto ..... A63F 9/16  
 463/31  
 2010/0159798 A1 \* 6/2010 Bertrand ..... A63H 1/02  
 446/259  
 2011/0189921 A1 \* 8/2011 Andersen ..... A63F 3/00643  
 446/242  
 2017/0239558 A1 \* 8/2017 Shindo ..... A63F 9/16

FOREIGN PATENT DOCUMENTS

GB 191013390 A \* 2/1911 ..... A63F 9/16  
 JP D1150712 \* 8/2002  
 JP 2013000284 A \* 1/2013  
 KR 300735969.0000 \* 3/2014  
 WO WO-2006133274 A2 \* 12/2006 ..... A63F 9/16  
 WO WO-2011158940 A1 \* 12/2011 ..... A63F 9/16  
 WO D099936-001 \* 3/2018

\* cited by examiner

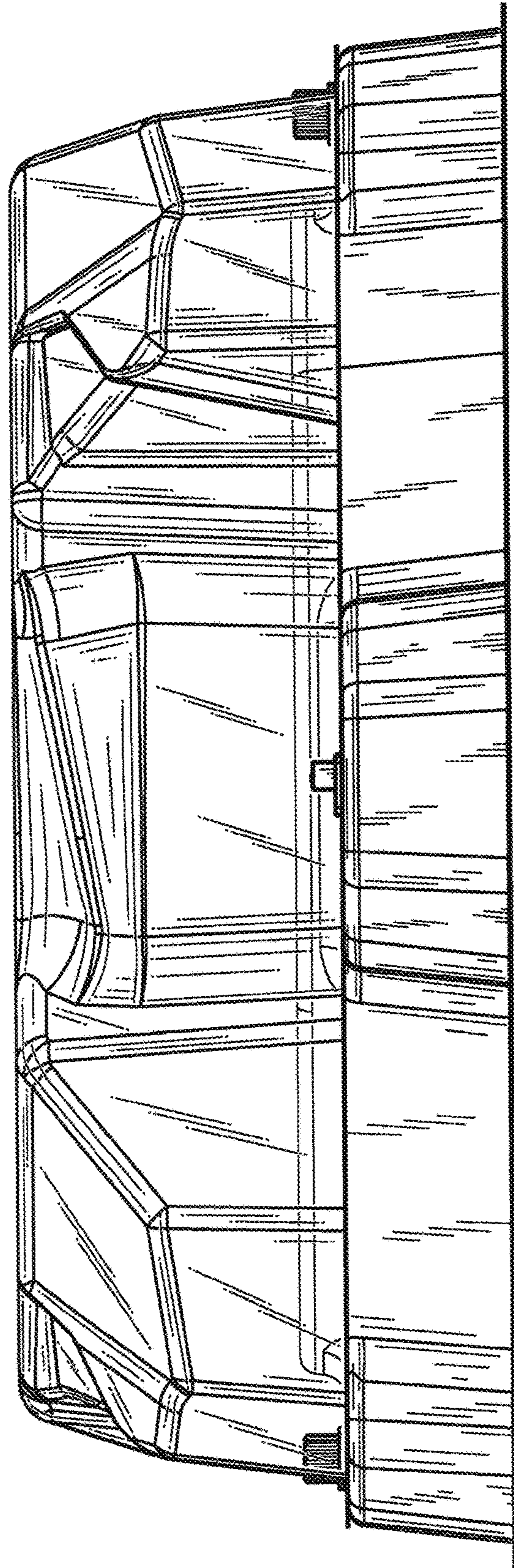


FIG. 1

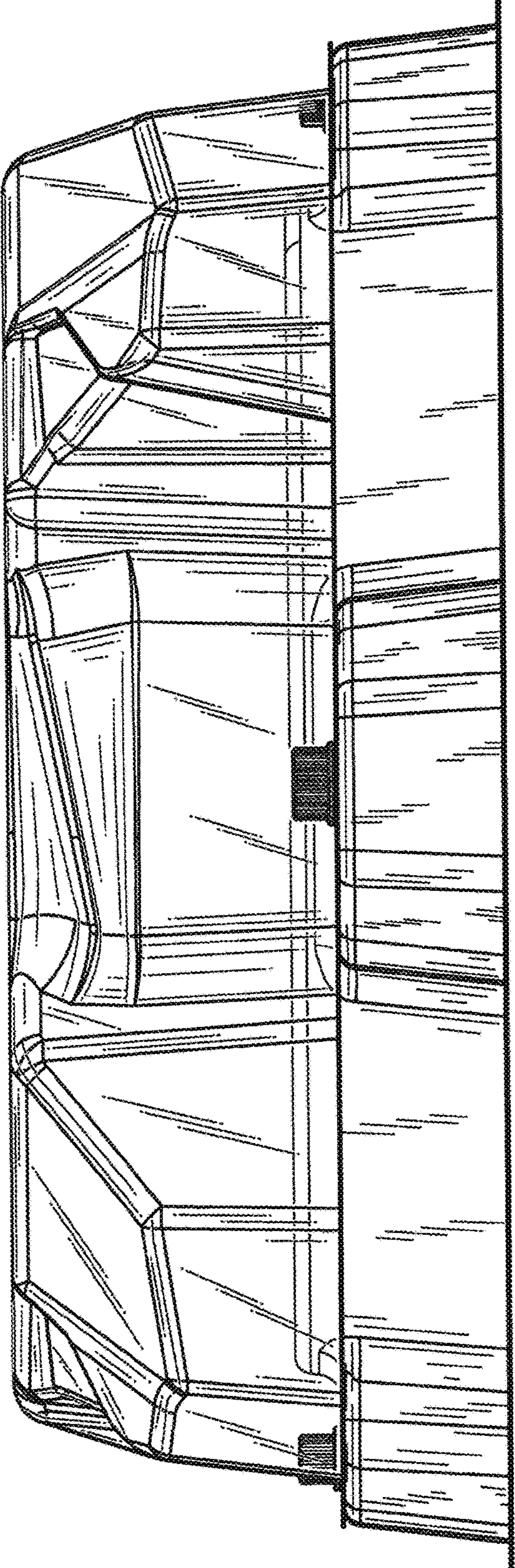


FIG. 2

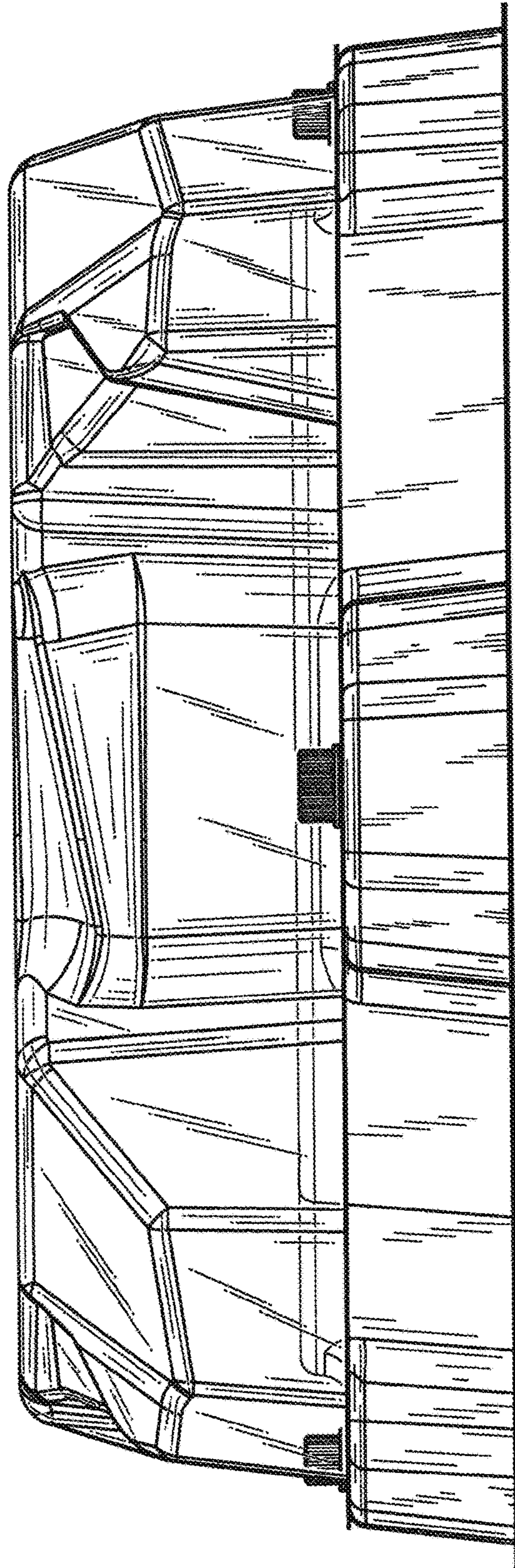


FIG. 3

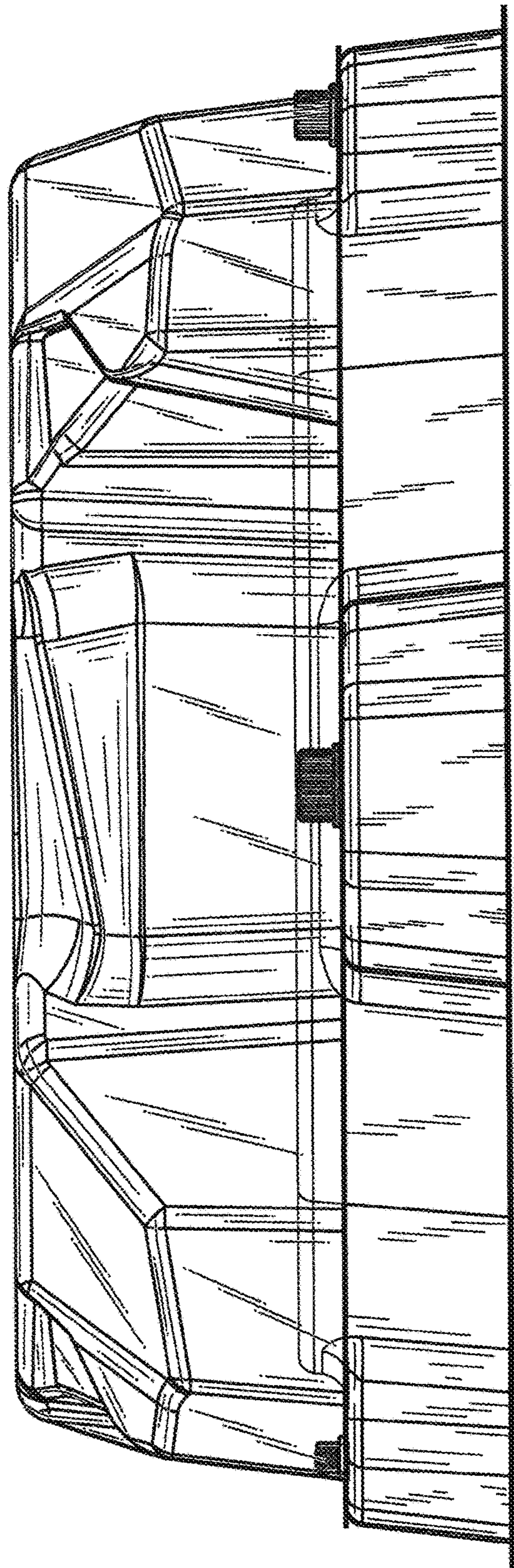


FIG. 4

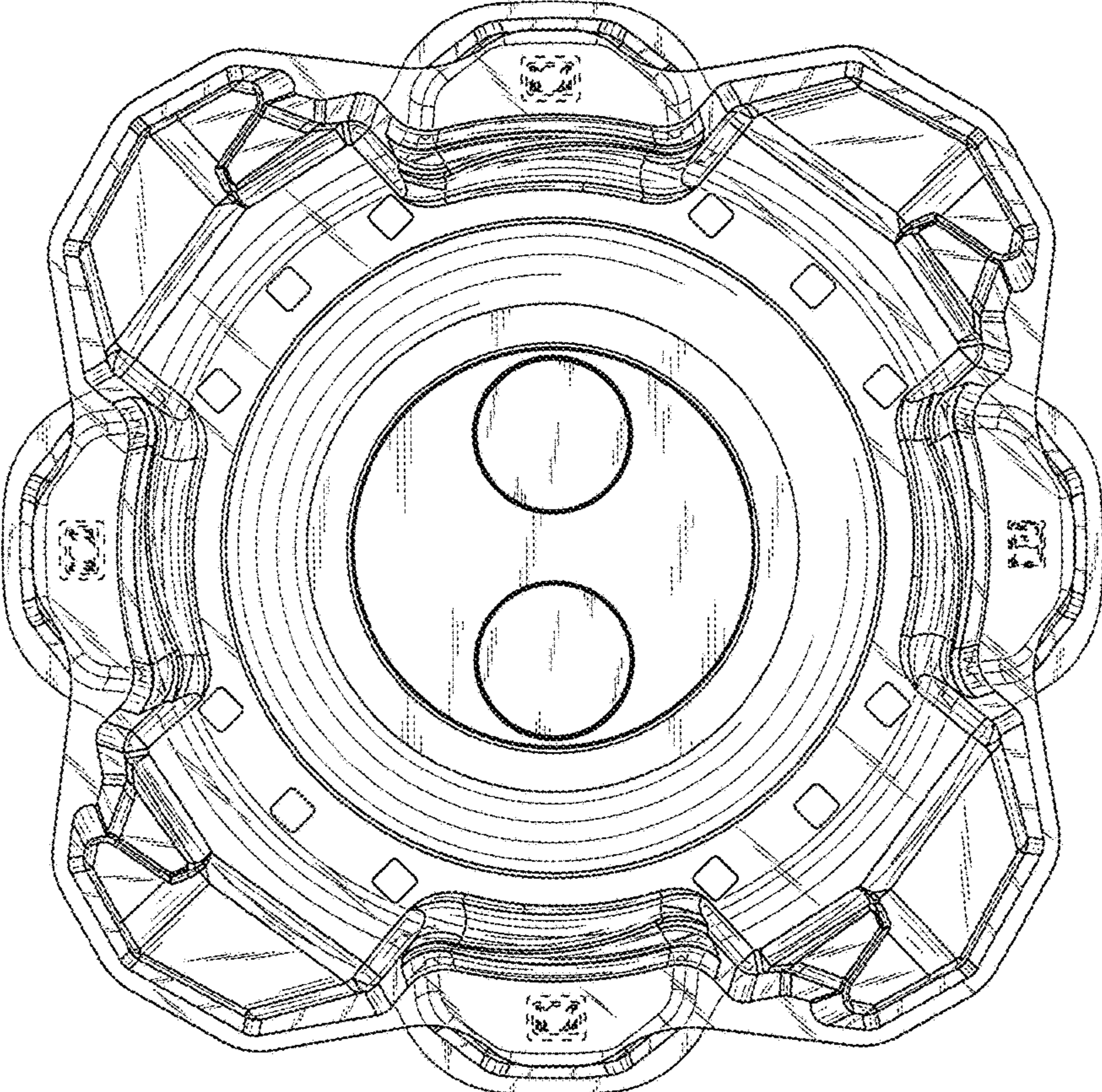


FIG. 5

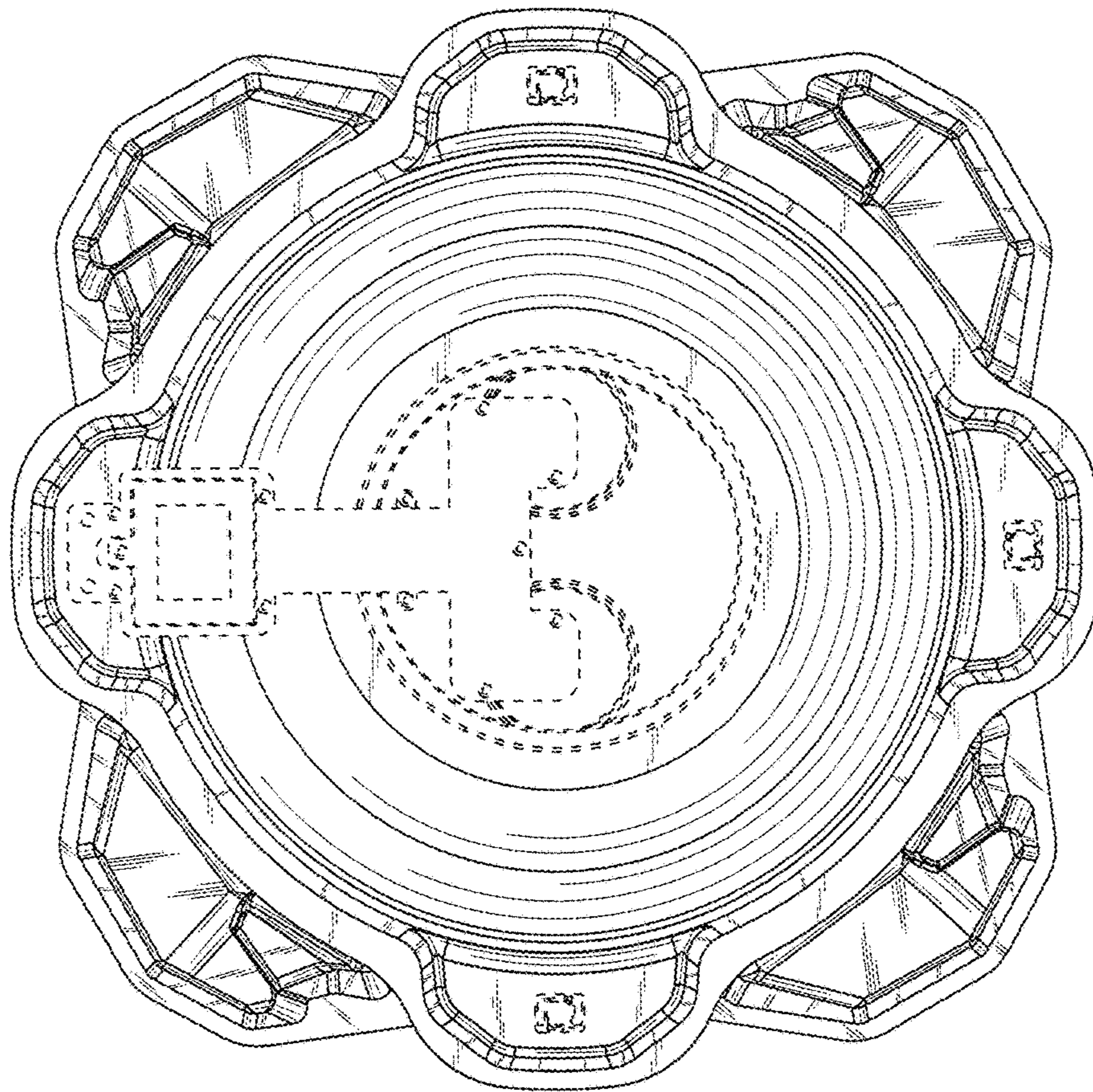


FIG. 6



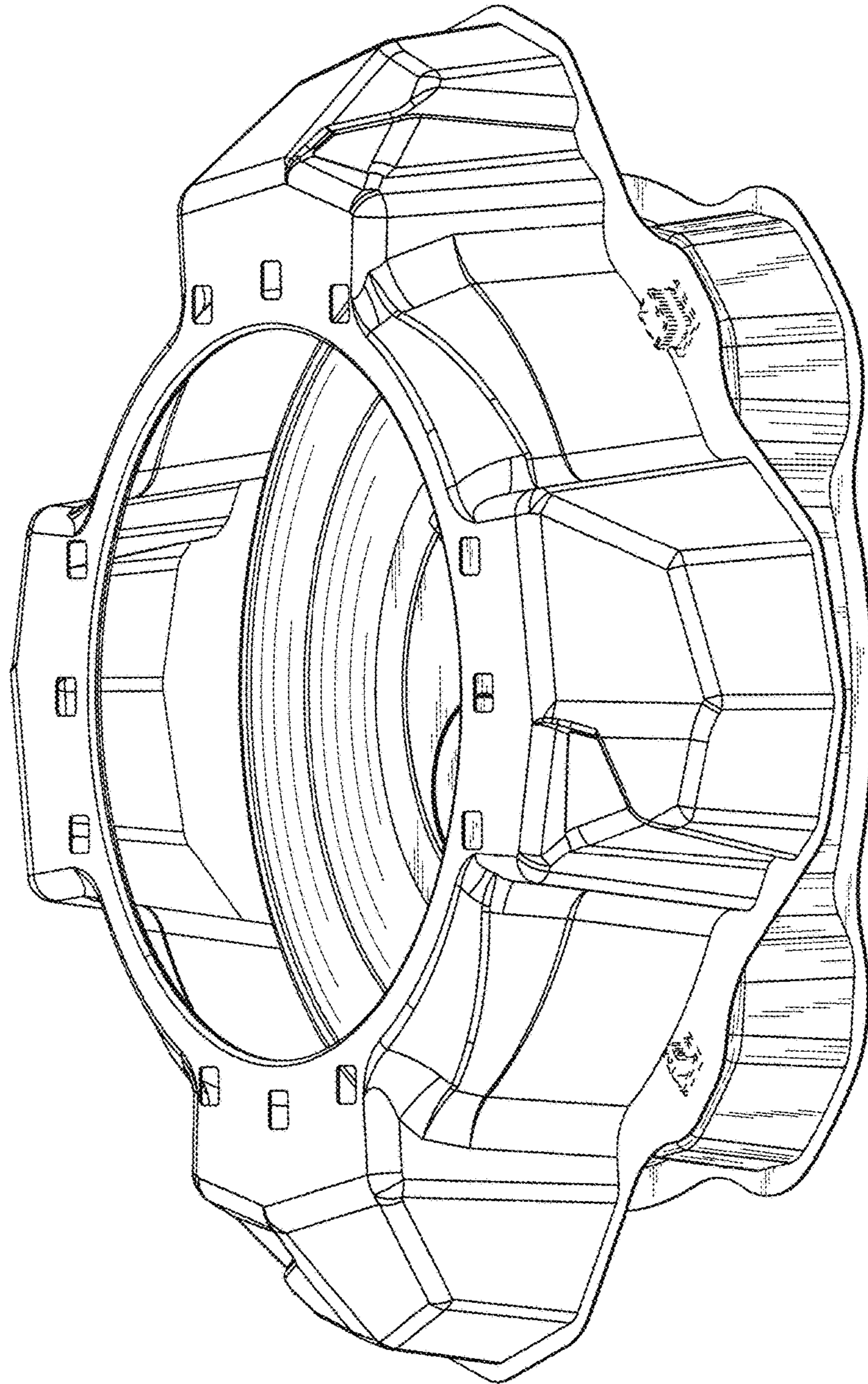


FIG. 7

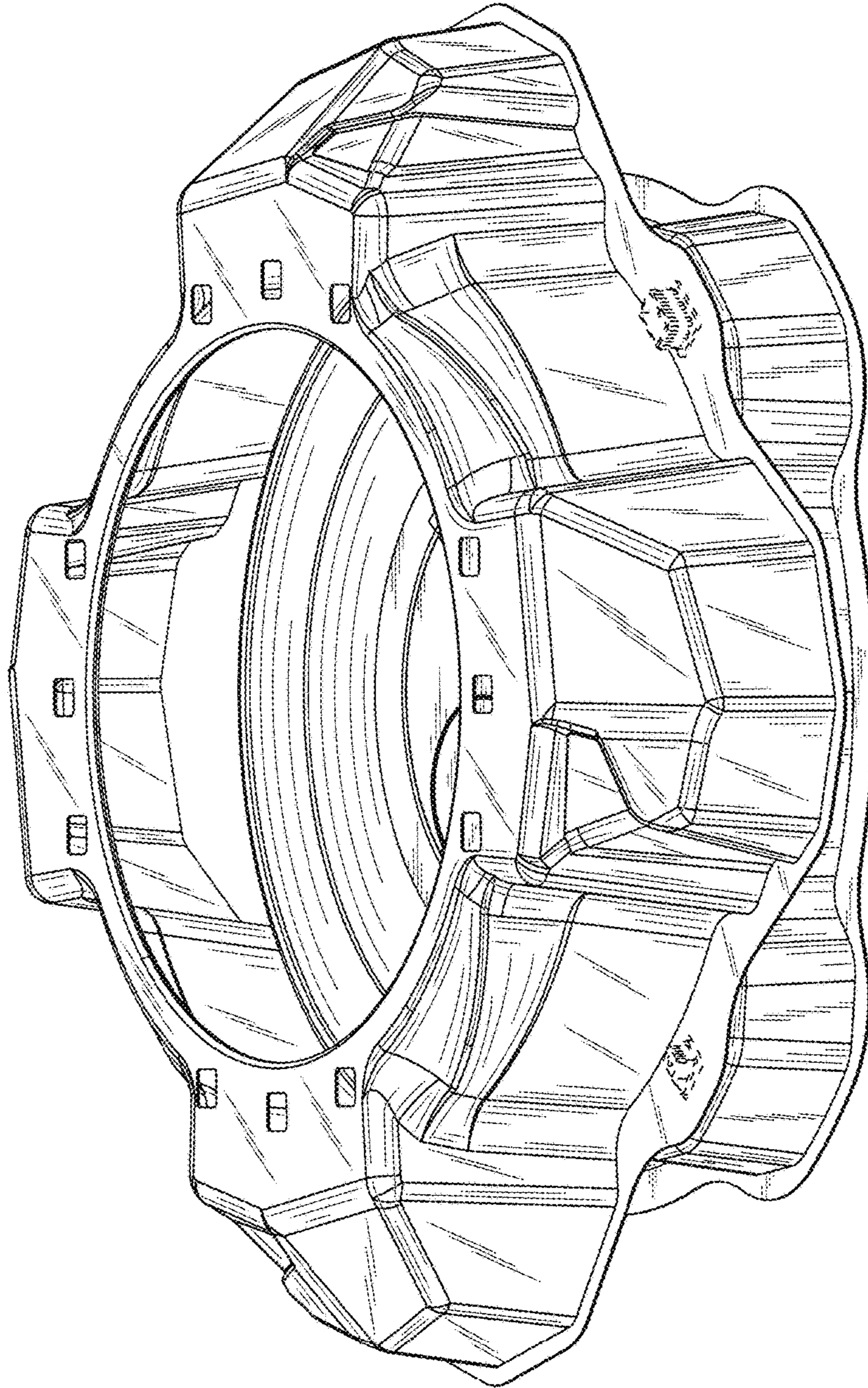


FIG. 8

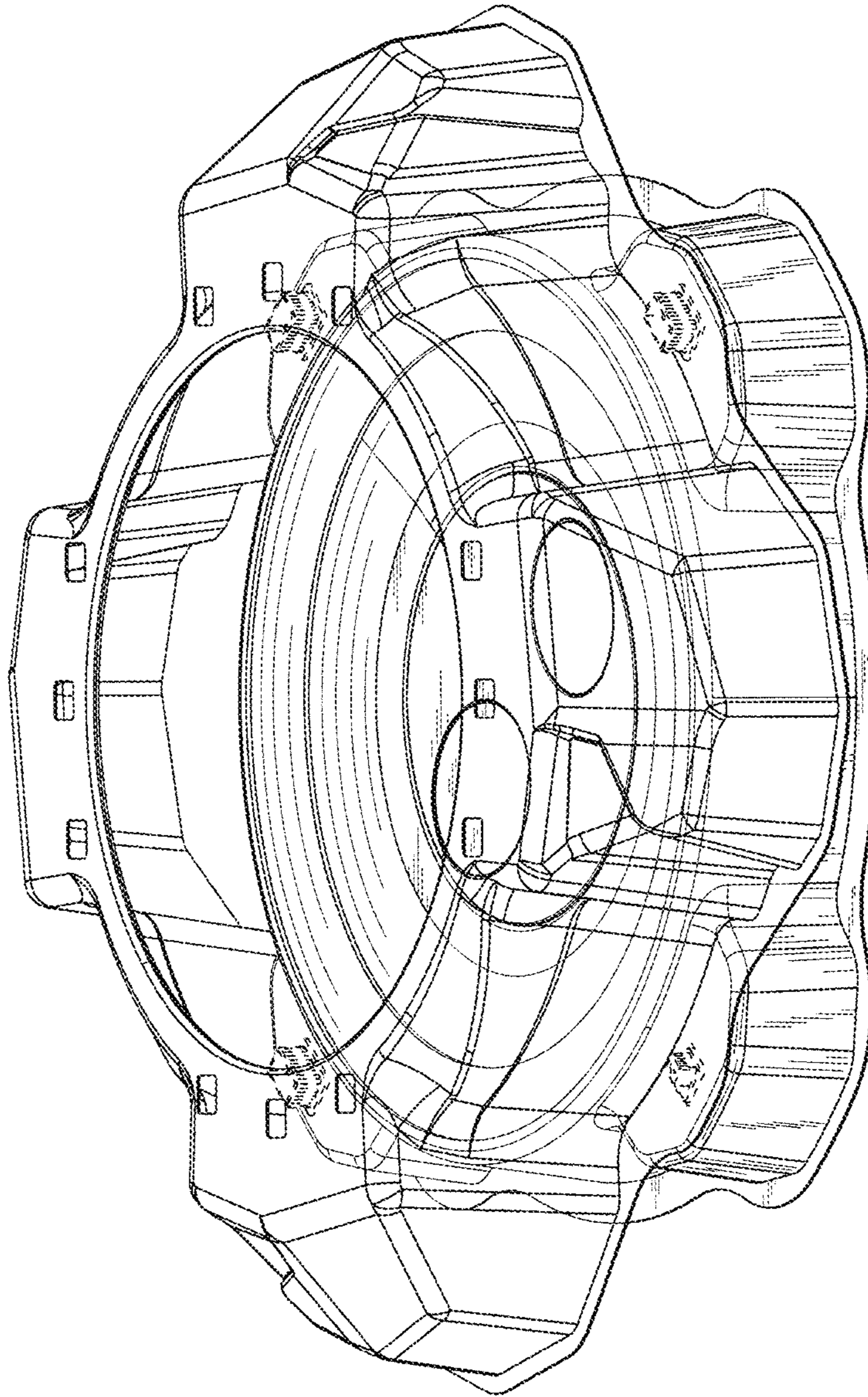


FIG. 9