



US00D838315S

(12) **United States Design Patent** (10) **Patent No.:** **US D838,315 S**
Lin (45) **Date of Patent:** **** Jan. 15, 2019**

(54) **LEGO TOY**

(71) Applicant: **Hui Lin**, Shenzhen (CN)

(72) Inventor: **Hui Lin**, Shenzhen (CN)

(73) Assignee: **SHENZHEN YUTIAN TECHNOLOGY CULTURE INDUSTRIAL CO., LTD.**, Shenzhen (CN)

(**) Term: **15 Years**

(21) Appl. No.: **29/627,213**

(22) Filed: **Nov. 23, 2017**

(51) **LOC (11) Cl.** **21-01**

(52) **U.S. Cl.**
 USPC **D21/432**; D10/110

(58) **Field of Classification Search**
 USPC D12/86, 88, 90-92, 107, 110, 164, 173,
 D12/184-186, 190, 196; D21/419, 421,
 D21/423, 424-426, 432-434, 548, 549,
 D21/550, 552, 559, 561
 CPC A63H 17/26; A63H 17/262; A63H 17/264;
 A63H 17/266; A63H 17/36; A63H 17/38;
 A63H 29/00; A63H 29/22; A63H 29/24;
 A63H 30/04
 See application file for complete search history.

D597,892 S *	8/2009	Andoh	D12/110
D610,044 S *	2/2010	Sugimoto	D12/110
D635,060 S *	3/2011	Ota	D12/110
D666,530 S *	9/2012	Birtulescu	D12/110
D666,531 S *	9/2012	Dunshee	D12/110
D694,154 S *	11/2013	Arru	D12/110
D713,475 S *	9/2014	Hui	D21/432
D716,702 S *	11/2014	Song	D12/110
D723,430 S *	3/2015	Schmidt	D12/110
D723,979 S *	3/2015	Yu	D12/110
D732,436 S *	6/2015	Christoph	D12/110
D753,552 S *	4/2016	McGinley	D12/110
D761,702 S *	7/2016	Kobayashi	D12/118
D774,964 S *	12/2016	Akashi	D12/110
D805,439 S *	12/2017	Hohdorf	D12/110
D811,945 S *	3/2018	Laliberte	D12/110

* cited by examiner

Primary Examiner — Robin V Webster
Assistant Examiner — Keith J Wilson
 (74) *Attorney, Agent, or Firm* — Law Offices of Steven W. Weinrieb

(57) **CLAIM**

The ornamental design for a lego toy, as shown and described.

DESCRIPTION

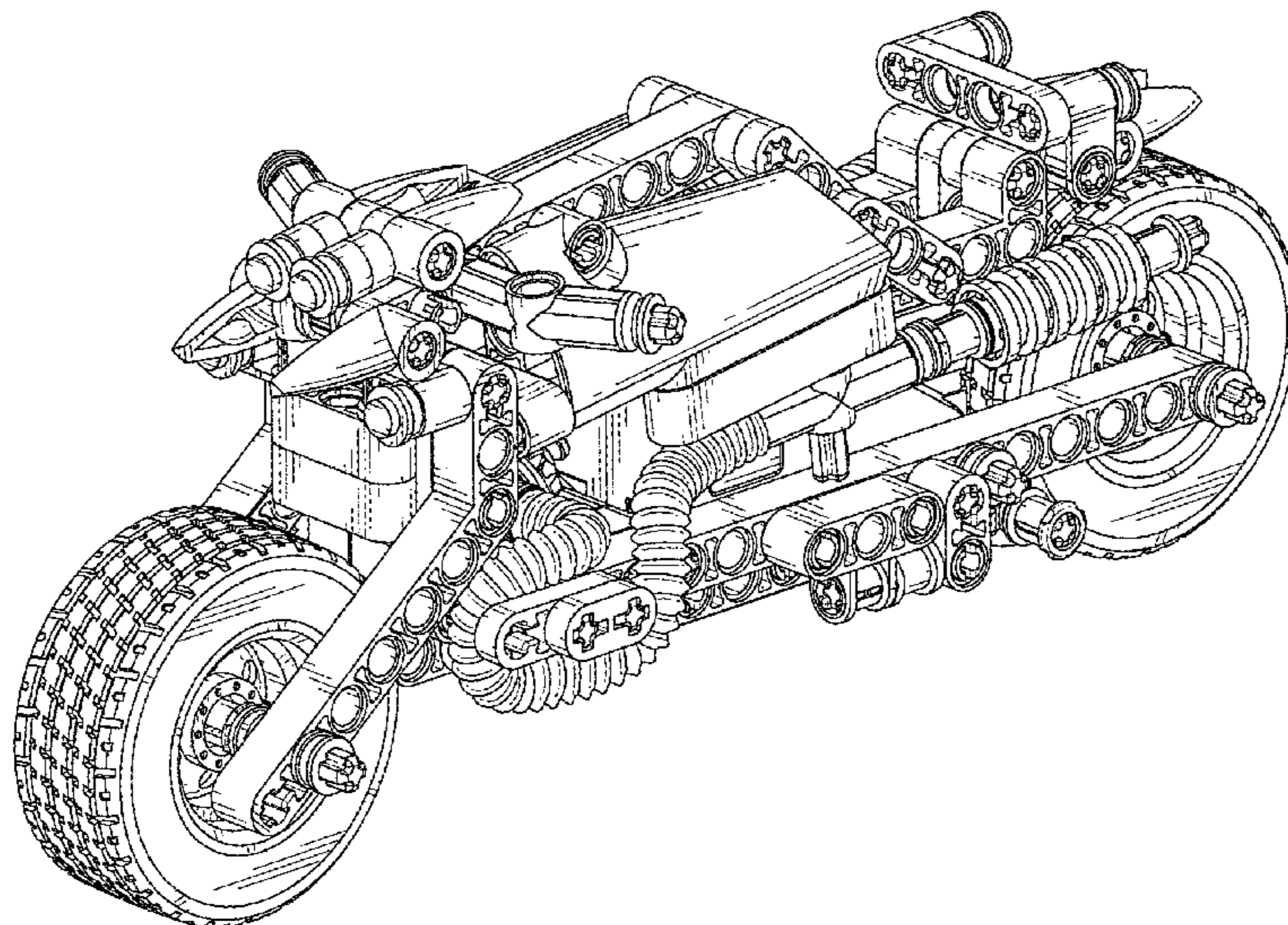
FIG. 1 is a left side top perspective view of the lego toy showing my new design;
 FIG. 2 is an inverted right side bottom perspective view thereof;
 FIG. 3 is a right side elevational view thereof;
 FIG. 4 is a left side elevational view thereof.
 FIG. 5 is a rear elevational view thereof;
 FIG. 6 is a front elevational view thereof;
 FIG. 7 is a top plan view thereof; and,
 FIG. 8 is a bottom plan view thereof.

1 Claim, 8 Drawing Sheets

(56) **References Cited**

U.S. PATENT DOCUMENTS

D277,771 S *	2/1985	Takeuchi	D12/110
D428,068 S *	7/2000	Lerch	D21/432
D443,658 S *	6/2001	Lerch	D21/432
D517,957 S *	3/2006	Savage	D12/110
D533,602 S *	12/2006	Chung	D21/432
D560,729 S *	1/2008	Chung	D21/432
D582,318 S *	12/2008	Kishi	D12/110



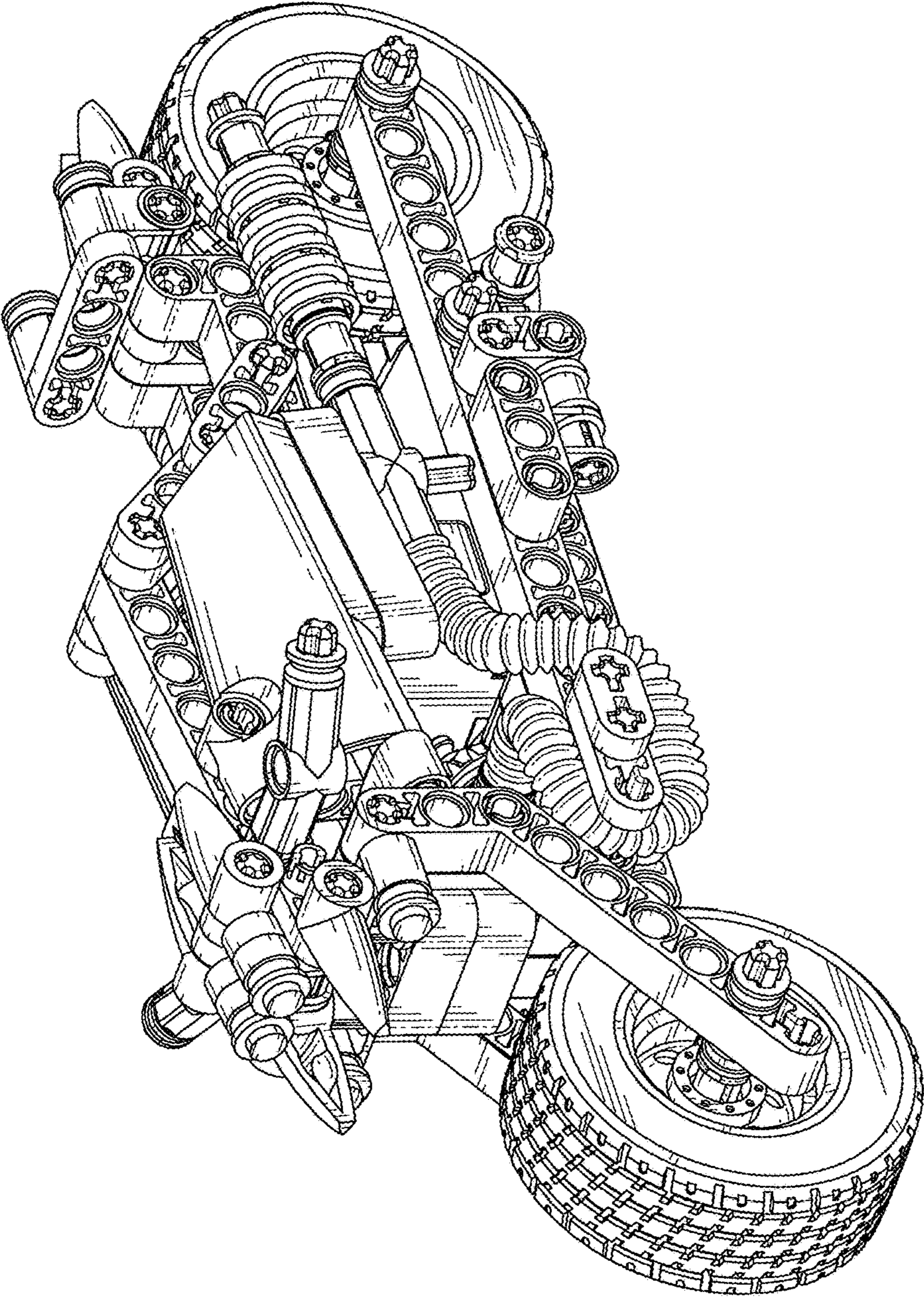


FIG. 1

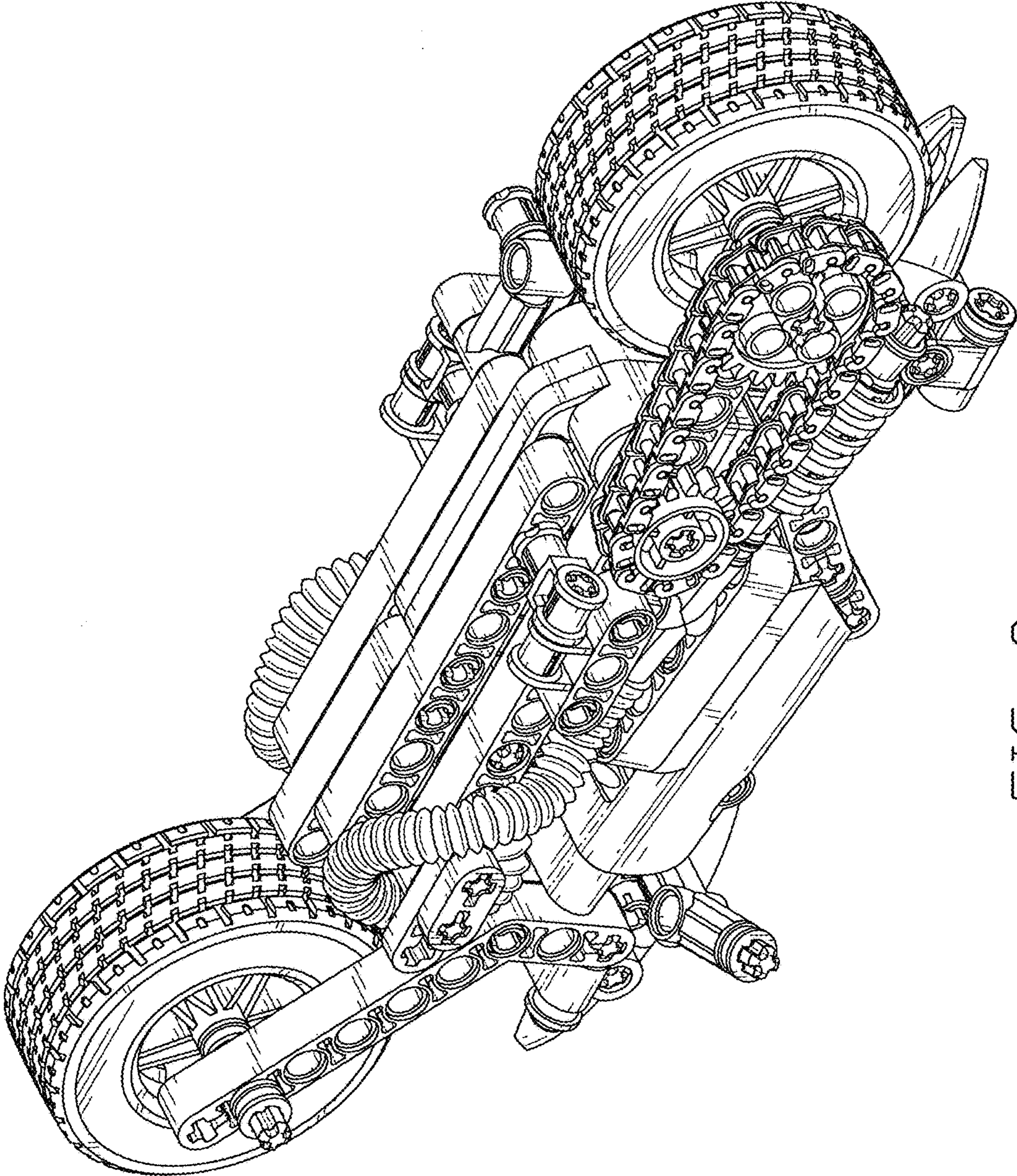


FIG. 2

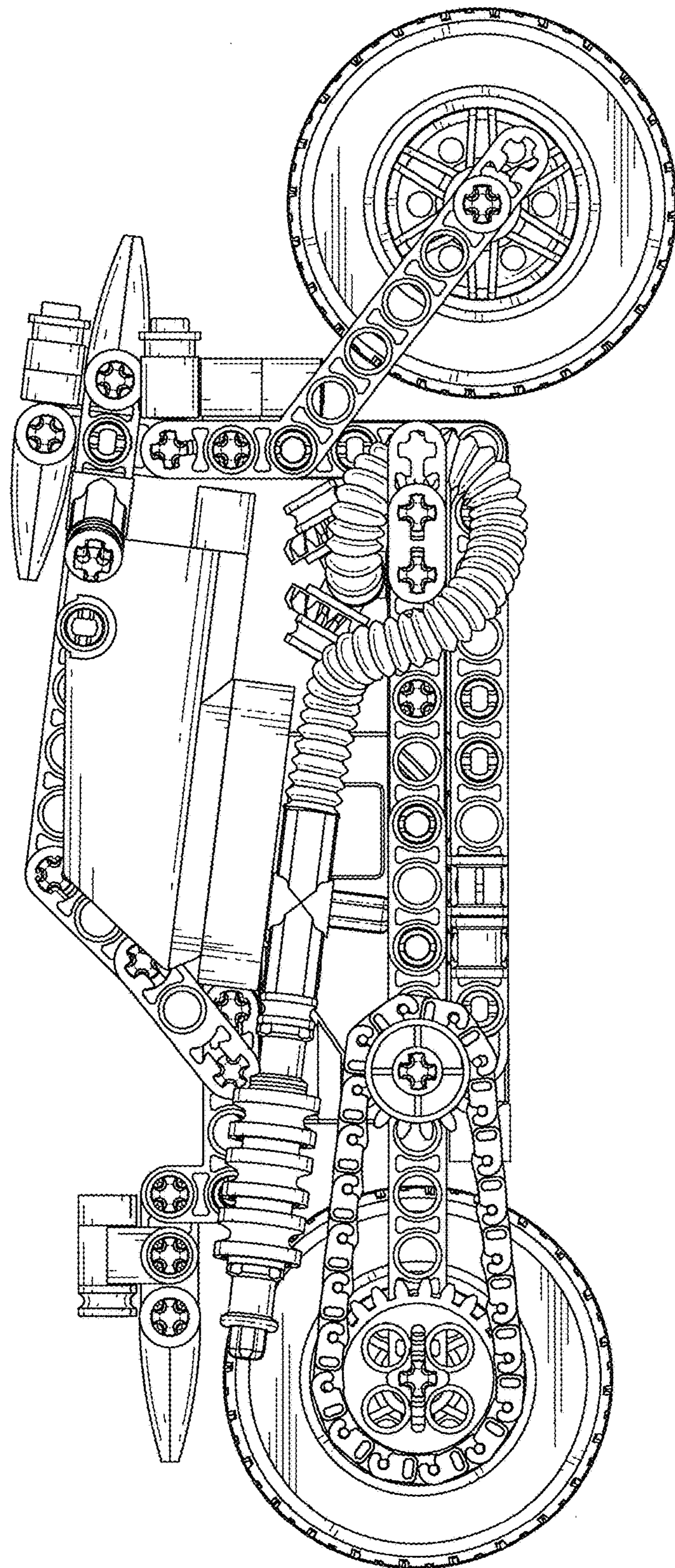


FIG. 3

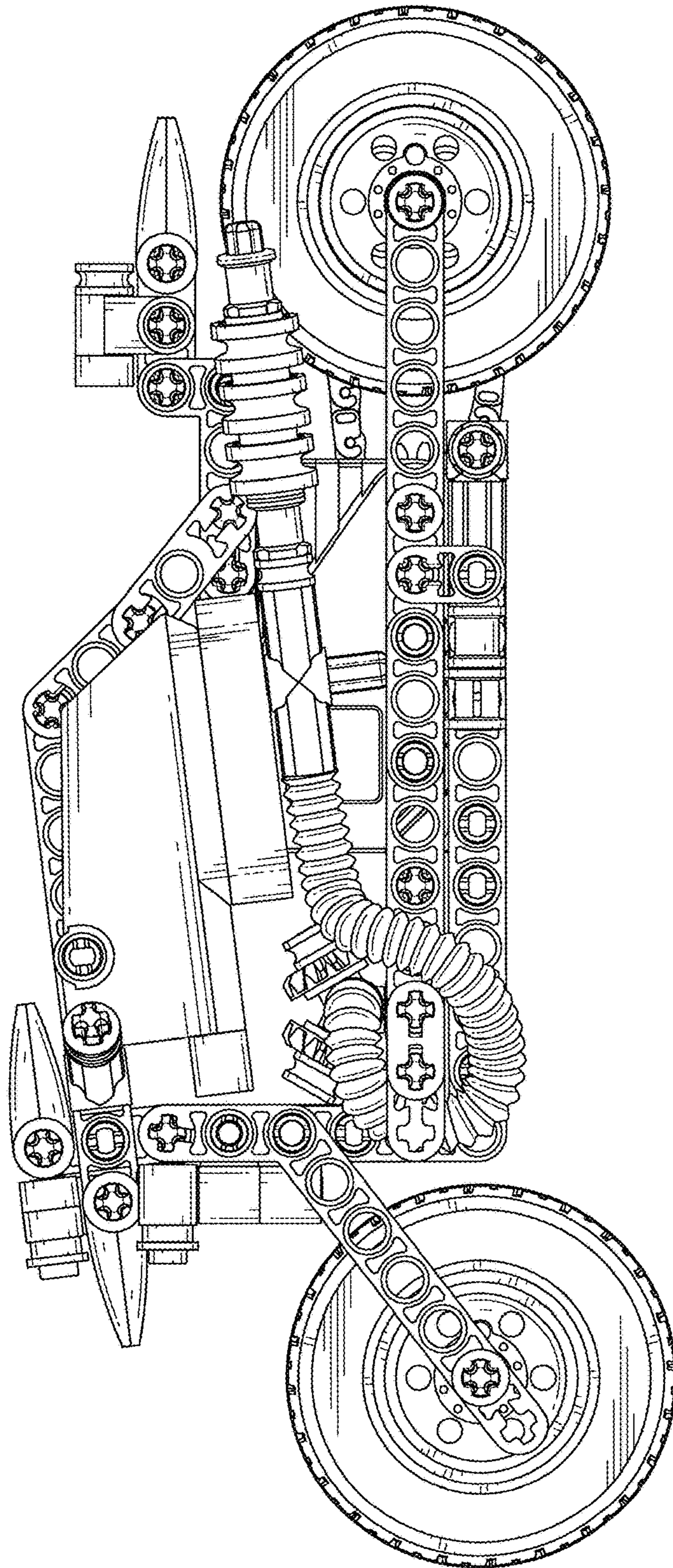


FIG. 4

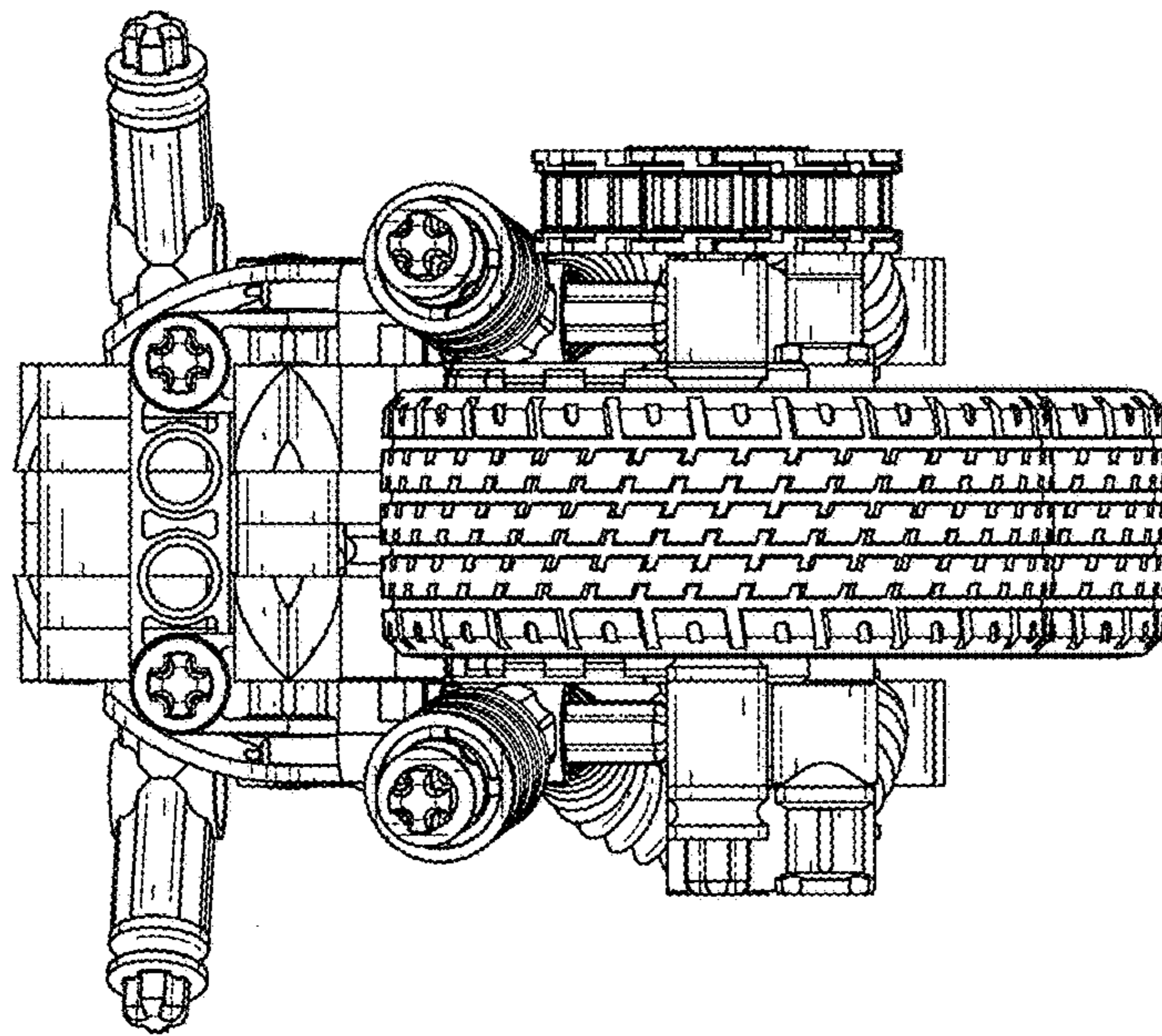


FIG. 5

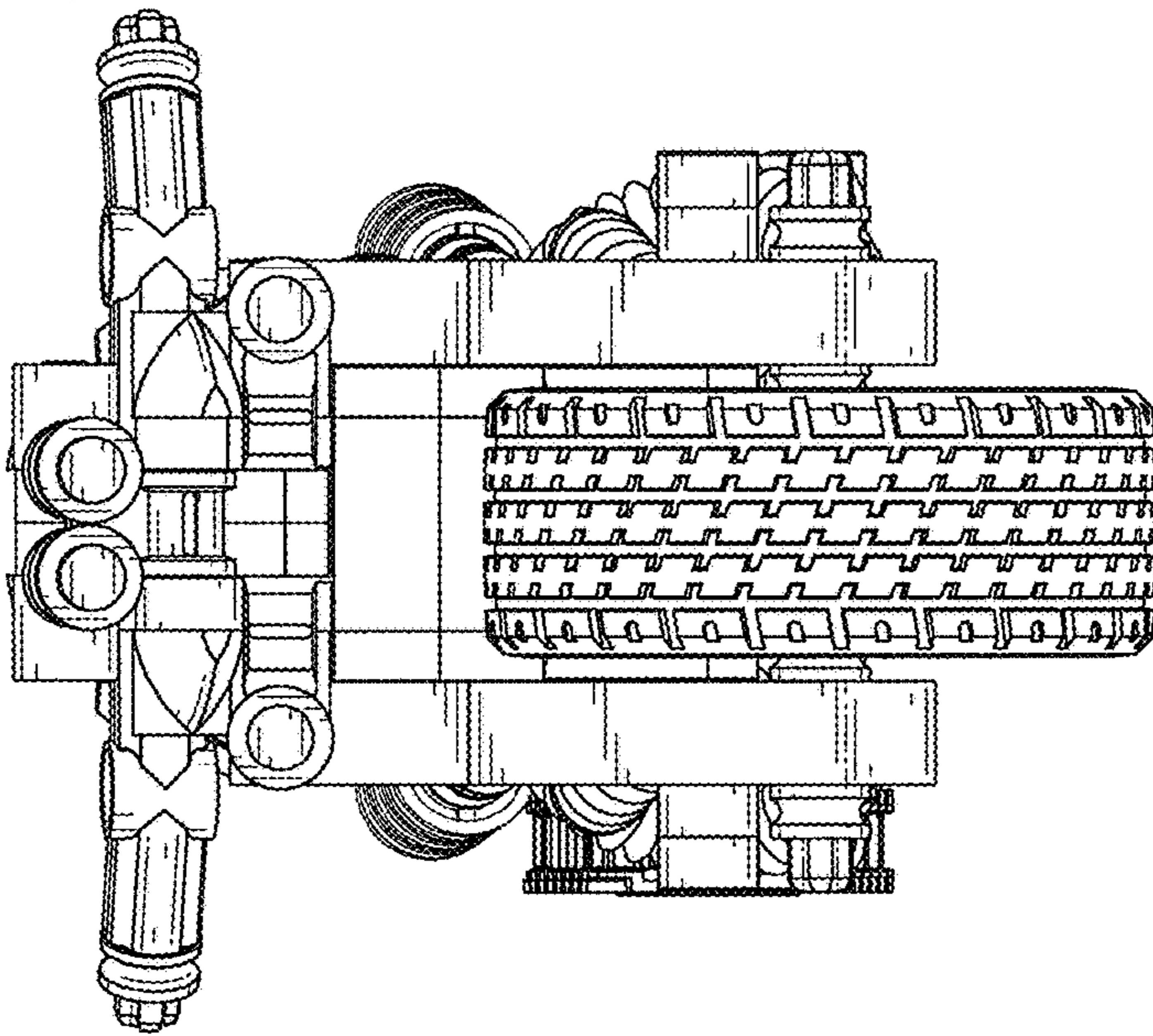


FIG. 6

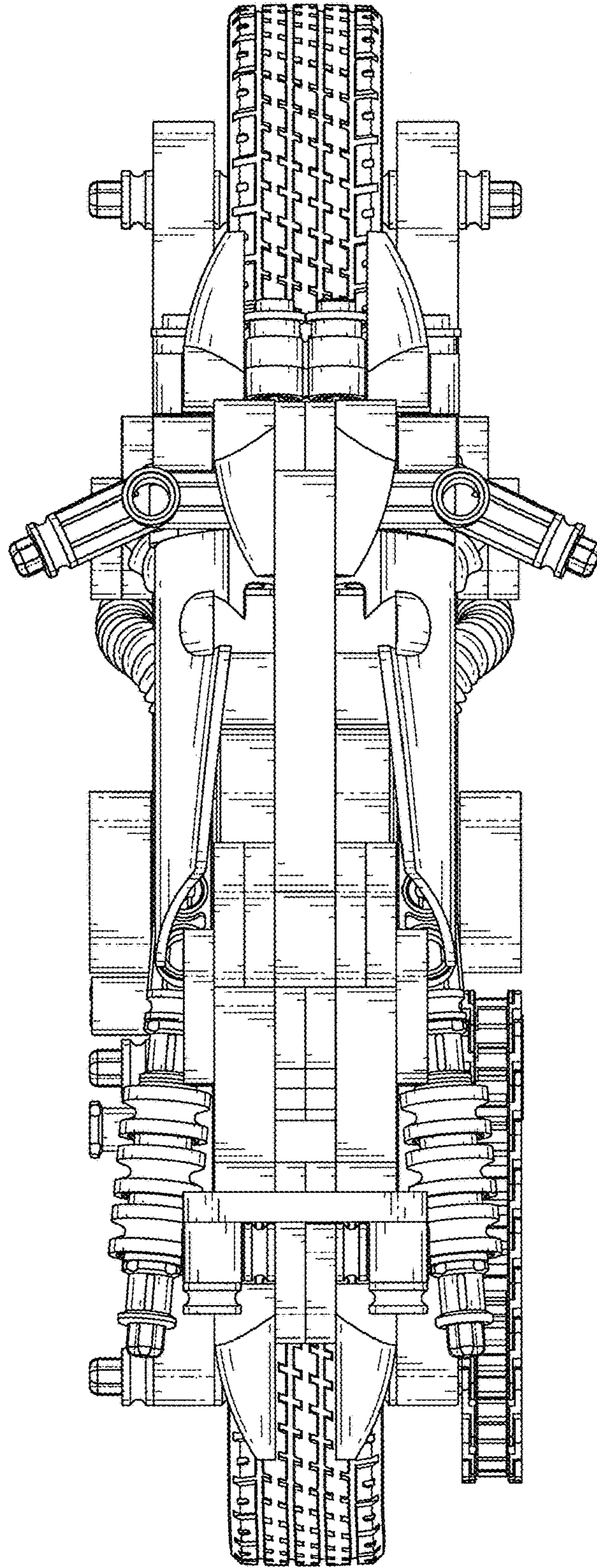


FIG. 7

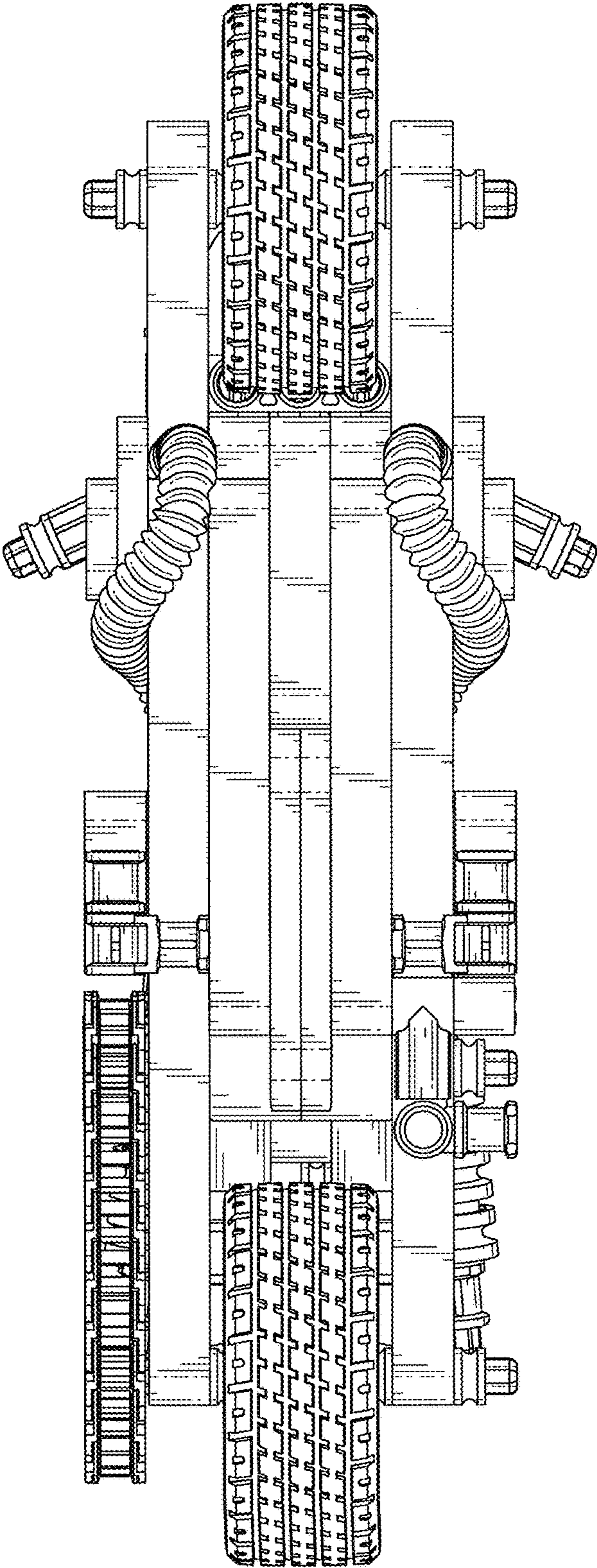


FIG. 8