

US00D838312S

(12) **United States Design Patent**  
**Hake**

(10) **Patent No.:** **US D838,312 S**  
(45) **Date of Patent:** **\*\* Jan. 15, 2019**

(54) **GOLF SCORECARD HOLDER CLIP**

(71) Applicant: **Frank Hake**, Bonita Springs, FL (US)

(72) Inventor: **Frank Hake**, Bonita Springs, FL (US)

(\*\*) Term: **15 Years**

(21) Appl. No.: **29/596,235**

(22) Filed: **Mar. 7, 2017**

(51) **LOC (11) Cl.** ..... **19-99**

(52) **U.S. Cl.**  
USPC ..... **D19/77**

(58) **Field of Classification Search**

USPC ..... D19/78, 65, 88, 77; D8/349, 382, 373;  
30/459; 24/11 CC, 67.5; 281/15.1, 12;  
40/661, 658; 224/274, 278, 276, 277;  
211/14; 362/488, 98

CPC ..... B42F 9/008; B43L 23/08; B42D 5/006;  
A63B 71/0672; A63B 55/408; B60N  
3/005; B62D 1/10; B60R 11/00

See application file for complete search history.

(56) **References Cited**

**U.S. PATENT DOCUMENTS**

759,499 A	5/1904	Brandes	
1,214,996 A	2/1917	Boye	
1,296,971 A	3/1919	Kumagai	..... B43L 23/08
			24/11 CC
1,347,222 A	7/1920	Hufschmidt	..... 40/643
1,558,818 A	10/1925	Kumagai	..... 281/45
2,069,619 A	2/1937	Mendelson	
2,132,121 A	10/1938	Nudelman	
2,150,709 A	3/1939	Bake	
2,506,918 A	5/1946	Brown	
D165,645 S *	1/1952	Fretz	..... D19/77
2,650,836 A	9/1953	Berman	..... 281/12
3,011,802 A	12/1961	Ackerman	..... 281/44
3,128,021 A	4/1964	Habbena	..... 224/274
3,232,685 A	2/1966	Wilstein et al.	..... 108/23
4,166,559 A	9/1979	Richardson	..... 224/276

4,593,468 A	6/1986	Vincent	..... 30/451
4,741,105 A	5/1988	Wong	
4,763,415 A	8/1988	Huang	
D299,475 S *	1/1989	Munnik	..... D19/78
5,083,736 A	1/1992	McCoy	..... 248/452
5,387,010 A	2/1995	Mohr	..... 281/43
5,653,342 A *	8/1997	Eaton	..... A63B 71/0672
			206/315.1
6,059,158 A *	5/2000	Hsu	..... A63B 57/00
			224/274
6,209,767 B1 *	4/2001	Liou	..... B60R 11/0264
			224/276

(Continued)

**OTHER PUBLICATIONS**

Scorecard Valet posted by Club Golf Runner posted date May 28, 2010, © ClubGolfRunner.com, [online], [site visited Apr. 5, 2018]. Available from Internet, <https://web.archive.org/web/20100528103106/http://www.clubrunnergolf.com:80/scorecardvalet.html> (Year: 2010).\*

*Primary Examiner* — Cynthia Ramirez

*Assistant Examiner* — Laura H Yu

(74) *Attorney, Agent, or Firm* — Edward M. Livingston, Esq.; Bryan L. Loeffler, Esq.; Livingston Loeffler, P.A.

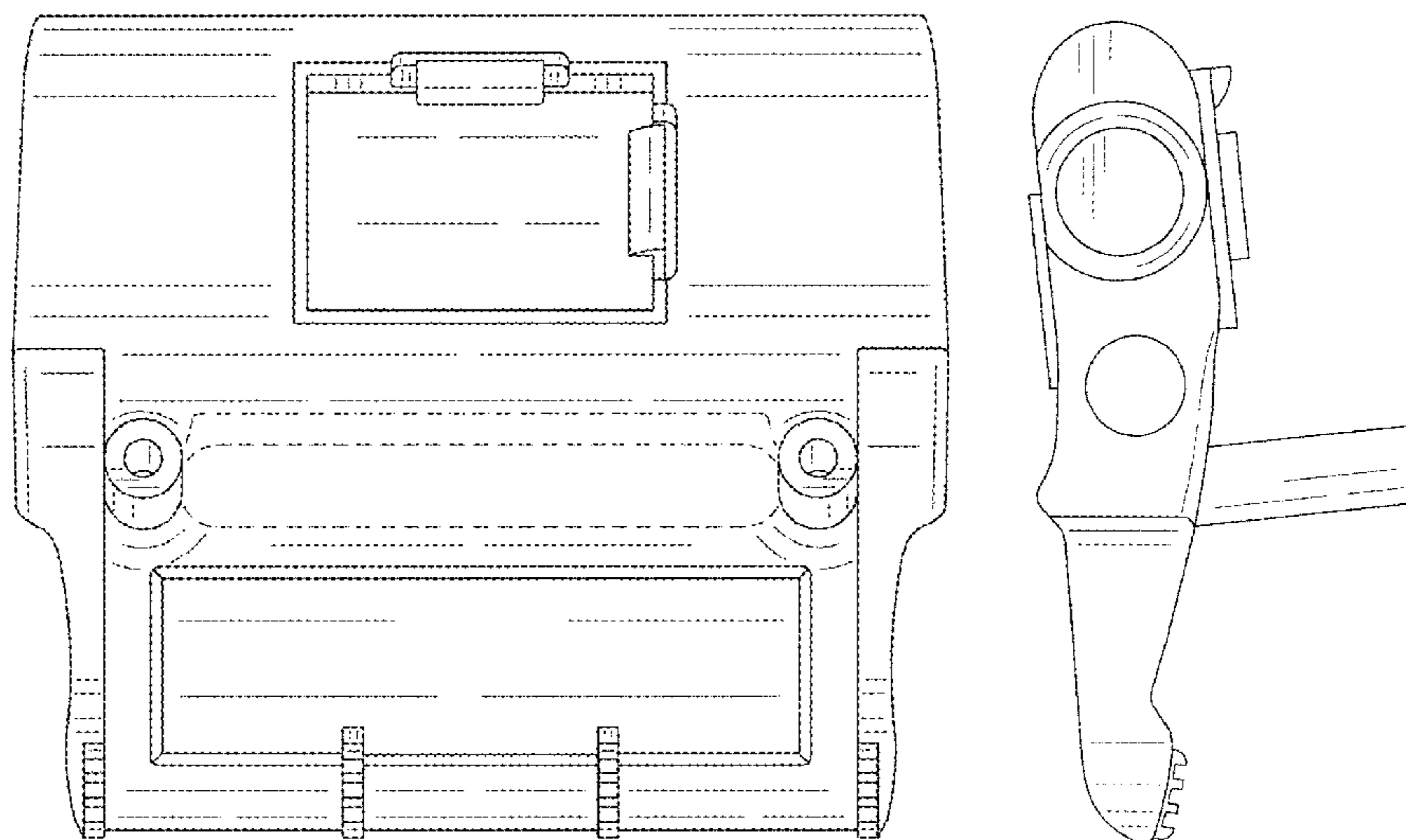
(57) **CLAIM**

The ornamental design for a golf scorecard holder clip, as shown and described.

**DESCRIPTION**

FIG. 1 is a front view of a golf scorecard holder clip showing my new design;  
FIG. 2 is a rear view thereof;  
FIG. 3 is a top view thereof;  
FIG. 4 is a bottom view thereof;  
FIG. 5 is a right side view thereof; and,  
FIG. 6 is a left side view thereof.  
The broken lines illustrate portions of the golf scorecard holder clip that form no part of the claimed design.

**1 Claim, 3 Drawing Sheets**



(56)

**References Cited**

U.S. PATENT DOCUMENTS

6,227,425	B1	5/2001	Ware, Sr.	224/276
6,523,290	B1	2/2003	Hanna et al.	40/661
D487,869	S *	3/2004	Mandel	D19/77
7,578,491	B2	8/2009	Axel	248/444
9,821,725	B2 *	11/2017	Tyrer	B60R 11/02
2006/0049223	A1 *	3/2006	Mora	A63B 71/0672 224/162
2009/0106946	A1	4/2009	Brewer, Jr.	24/67.5
2011/0089211	A1	4/2011	Heinl	224/567
2012/0211534	A1 *	8/2012	Hake	B60R 11/00 224/276

\* cited by examiner

FIG. 1

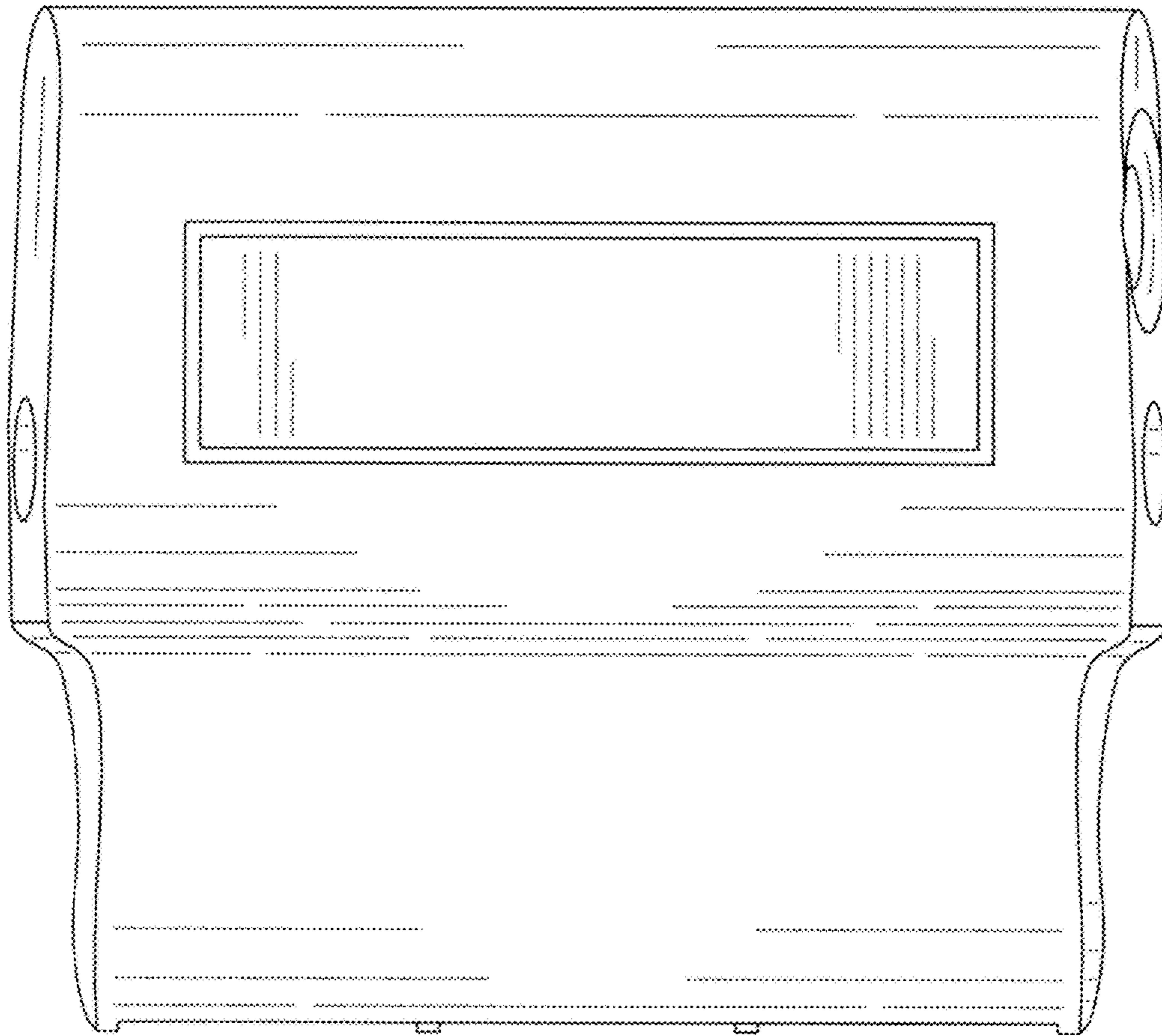


FIG. 3

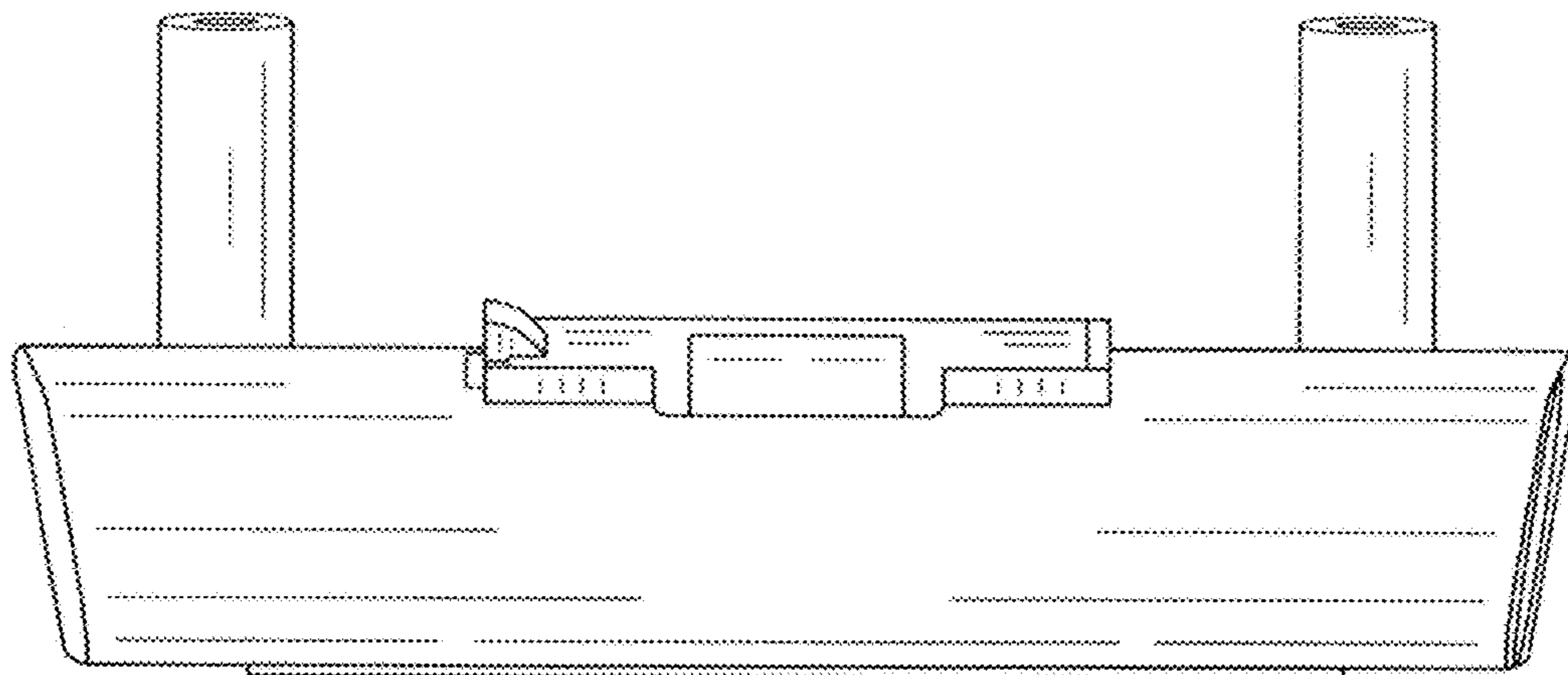


FIG. 2

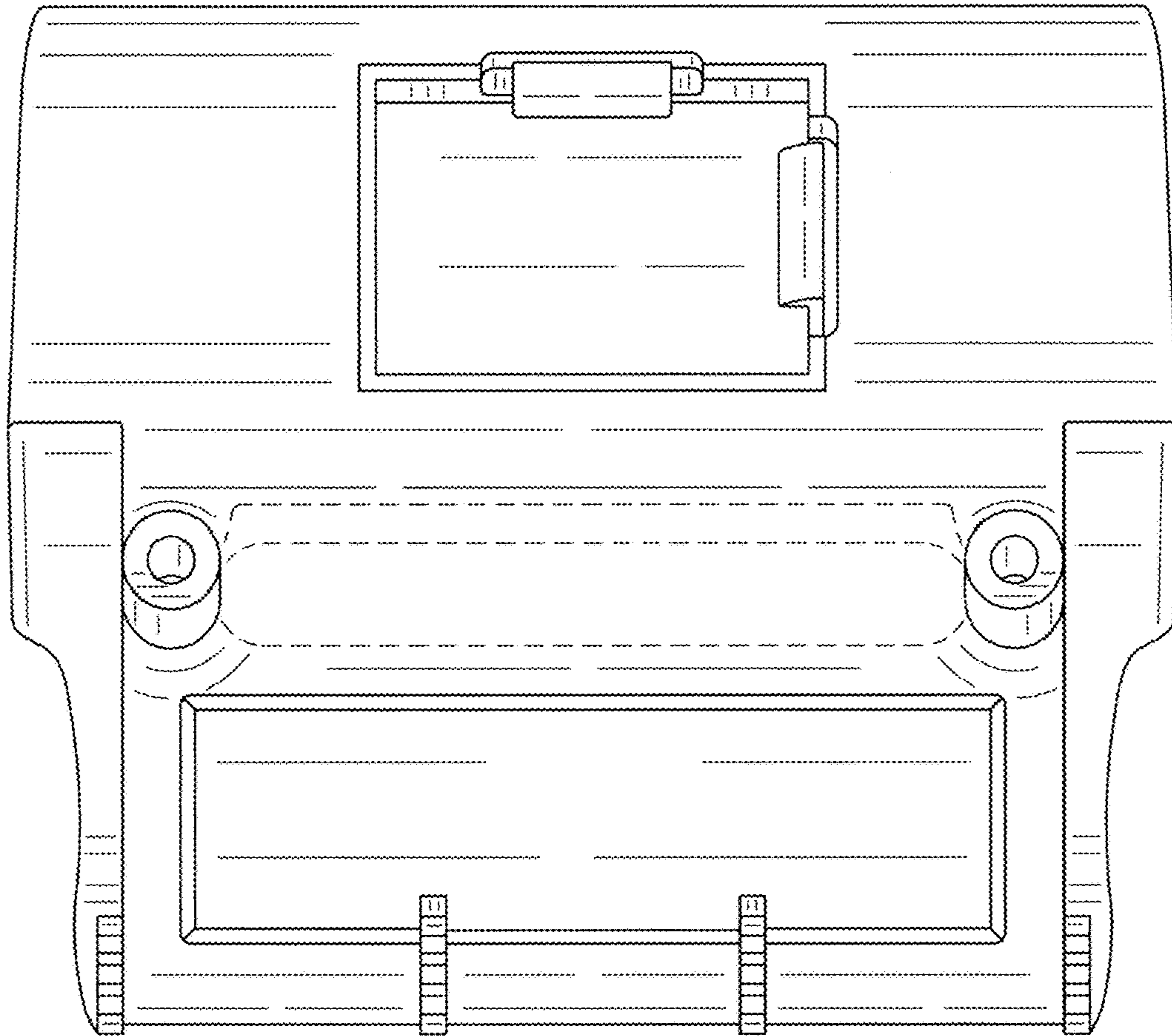
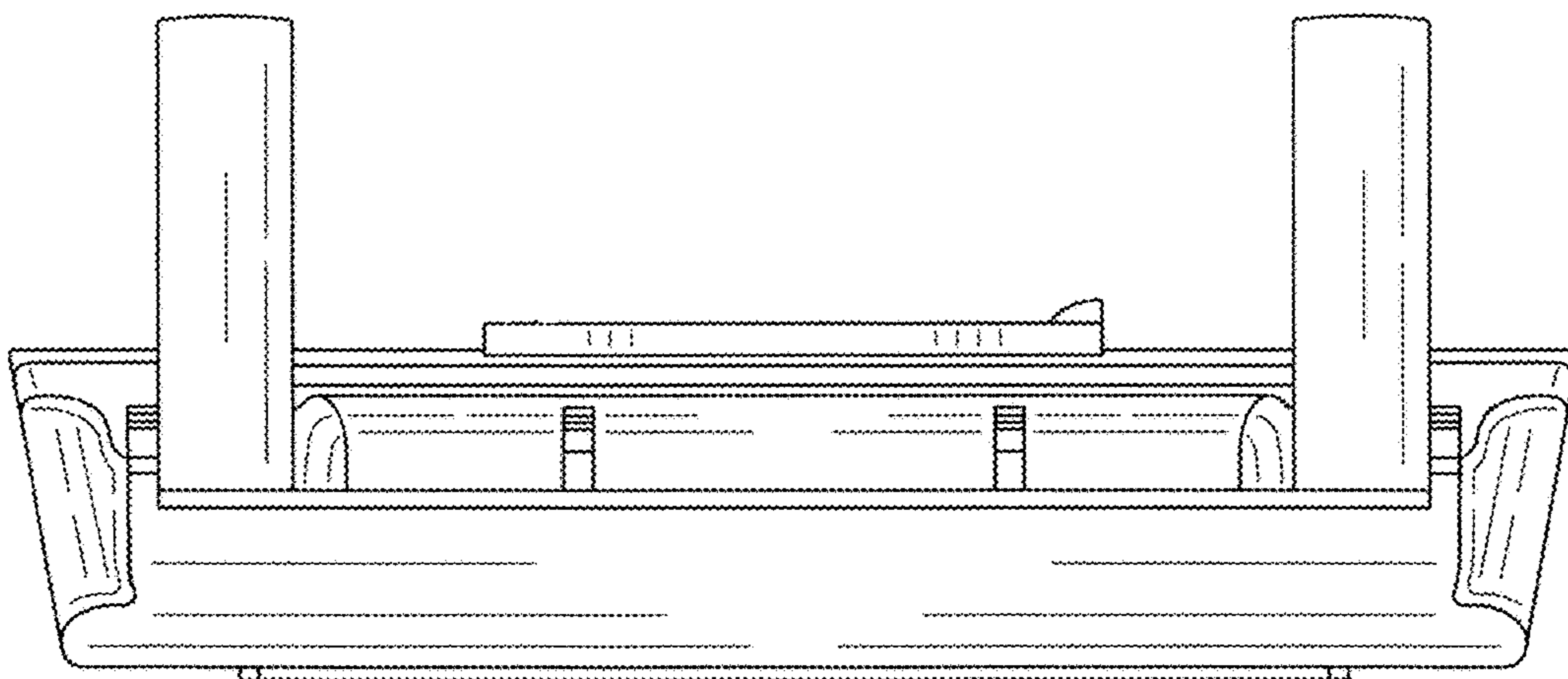


FIG. 4



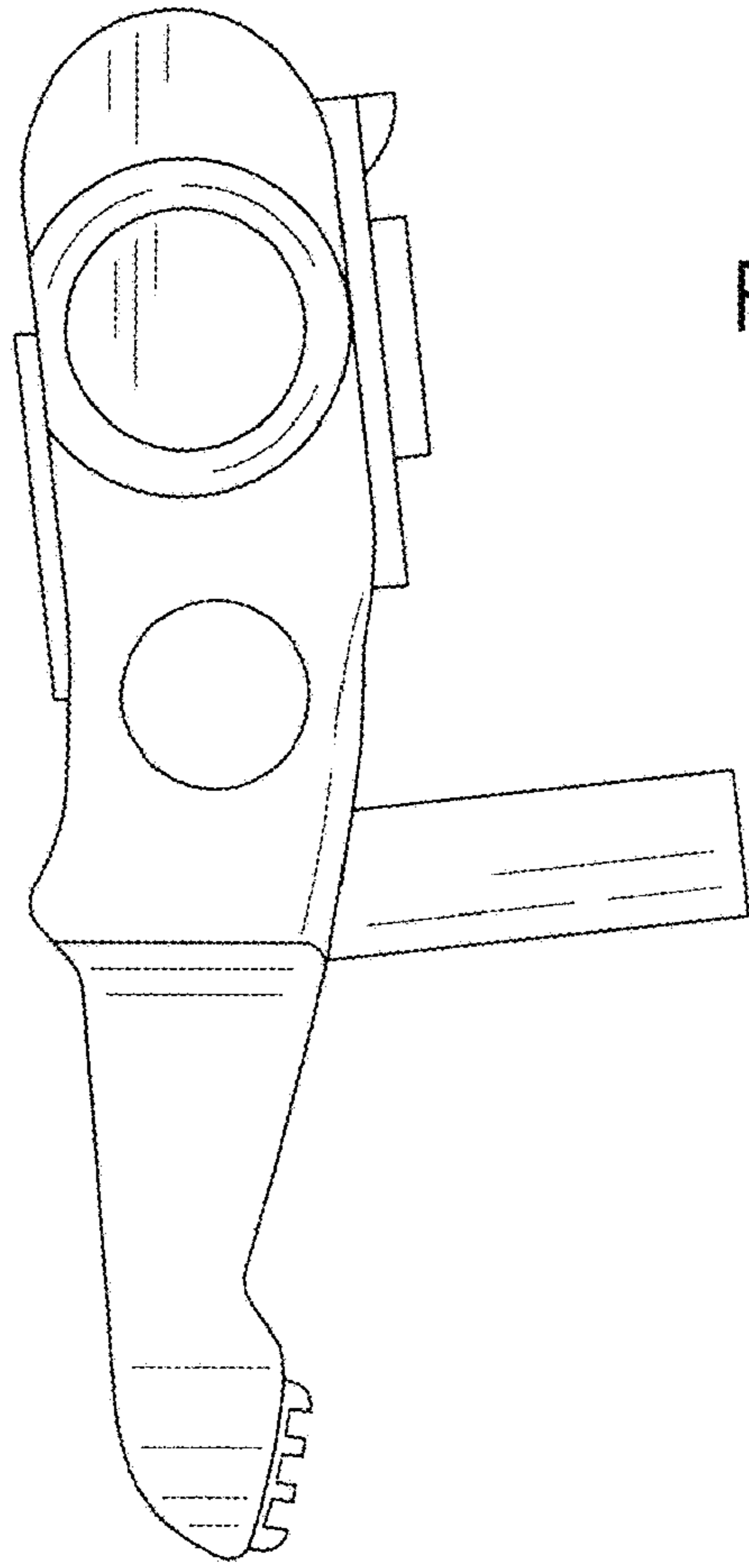


FIG. 5

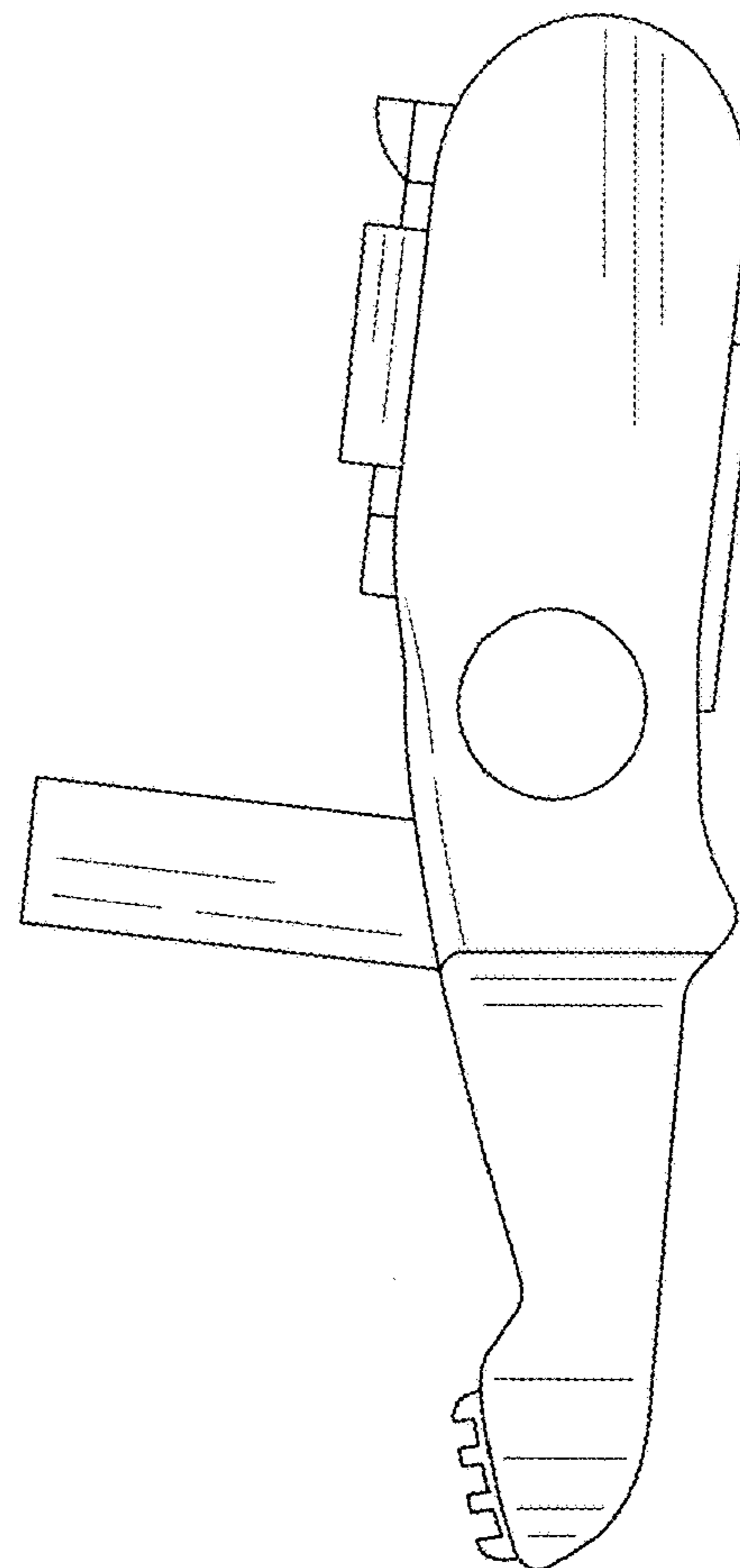


FIG. 6