



US00D838309S

(12) **United States Design Patent**
Trombetti et al.

(10) **Patent No.:** **US D838,309 S**

(45) **Date of Patent:** **** *Jan. 15, 2019**

(54) **MUSICAL INSTRUMENT NECK RETENTION
DEVICE AND PICK HOLDER**

(76) Inventors: **David Trombetti**, Phoenix, AZ (US);
Jeff Cutler, Queen Creek, AZ (US)

(*) Notice: This patent is subject to a terminal disclaimer.

(**) Term: **14 Years**

(21) Appl. No.: **29/381,966**

(22) Filed: **Dec. 27, 2010**

(51) **LOC (11) Cl.** **17-03**

(52) **U.S. Cl.**
USPC **D17/20; D3/204**

(58) **Field of Classification Search**
USPC D17/20, 99, 14-17; D3/204
CPC G10G 7/00; G10D 3/00
See application file for complete search history.

(56) **References Cited**

U.S. PATENT DOCUMENTS

D320,405 S *	10/1991	Wyant	84/453
D362,265 S *	9/1995	DeCola	D17/20
5,488,892 A *	2/1996	Jepsen	84/322
D372,491 S *	8/1996	DeCola	D17/20
5,796,021 A *	8/1998	Longshore	84/329
D400,563 S *	11/1998	Jones	D17/20
D407,430 S *	3/1999	Rosenberg	D17/20
D439,602 S *	3/2001	Morris, Jr.	D17/20
D444,493 S *	7/2001	Behringer	D14/217
D496,388 S *	9/2004	Butler	D17/20
D527,410 S *	8/2006	Harrington	D1/111
D544,767 S *	6/2007	Kelleghan	D8/38

D560,708 S *	1/2008	D'Ambrosio	D17/20
D584,338 S *	1/2009	Lynge	D17/20
D606,594 S *	12/2009	Guinchard	D14/388
D624,581 S *	9/2010	Guinn	D17/14
D678,394 S *	3/2013	Barbal	D17/20
D682,733 S *	5/2013	Dubow	D11/157
D712,454 S *	9/2014	Koster	G10D 3/163 D17/20
D767,017 S *	9/2016	Nash	D17/20
D779,585 S *	2/2017	Dedrick	D17/20
D782,565 S *	3/2017	Paterson	D17/20
D792,504 S *	7/2017	Paterson	D17/20
D795,335 S *	8/2017	Hudgins	D17/20
D803,933 S *	11/2017	Milone	D17/20
D805,295 S *	12/2017	Paterson	D3/215

* cited by examiner

Primary Examiner — Brandon M Rosati

Assistant Examiner — Carissa C Fitts

(74) *Attorney, Agent, or Firm* — Mark V. Loen

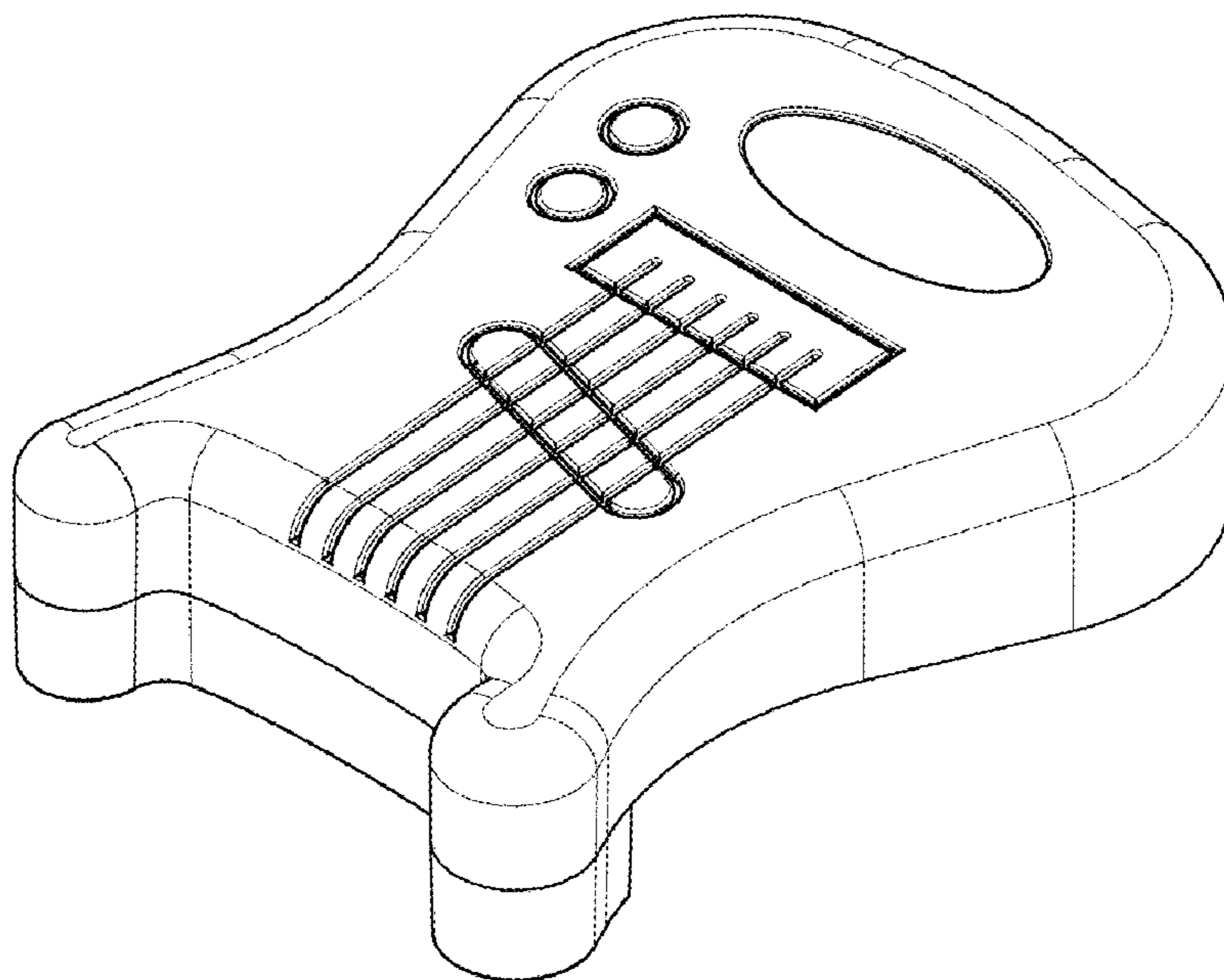
(57) **CLAIM**

The ornamental design for a musical instrument neck retention device and pick holder, as shown and described.

DESCRIPTION

FIG. 1 is a perspective view of a musical instrument neck retention device and pick holder showing our new design; FIG. 2 is a top plan view thereof; FIG. 3 is a front elevation view thereof; FIG. 4 is a right side elevation view thereof, the left side elevation view being a mirror image of the right side elevation view; FIG. 5 is a bottom plan view thereof; and, FIG. 6 is a rear elevation view thereof.

1 Claim, 1 Drawing Sheet



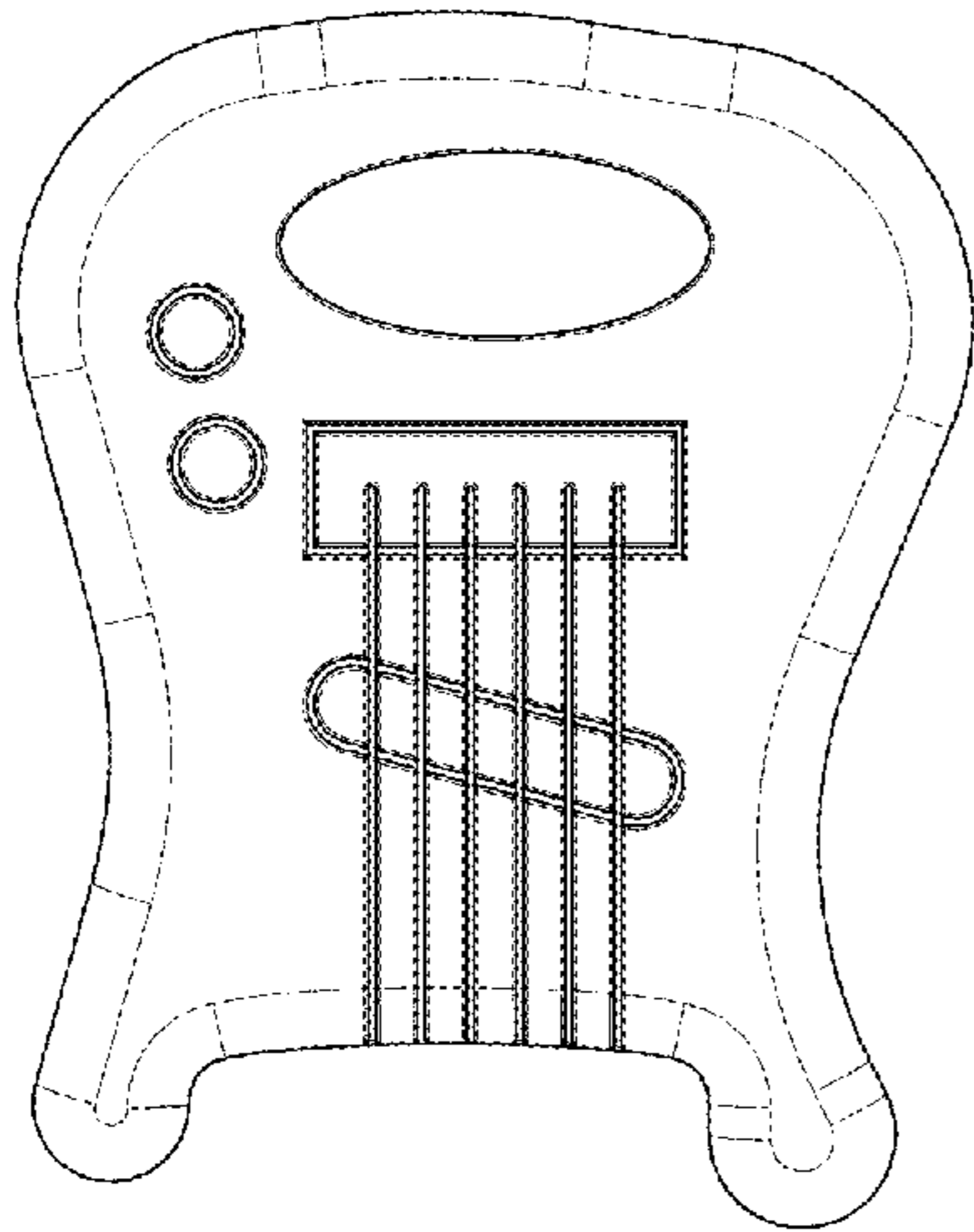


Fig. 2

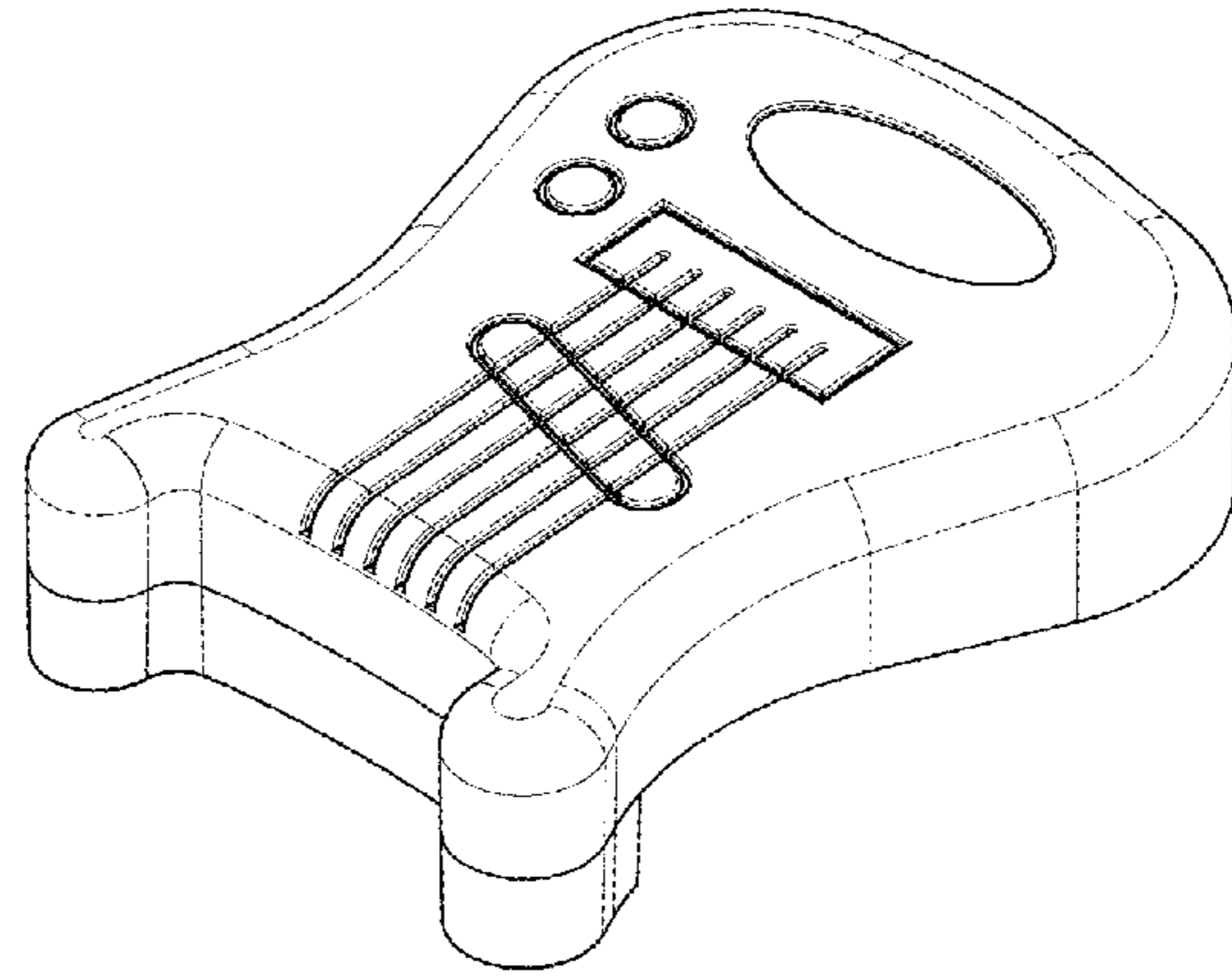


Fig. 1

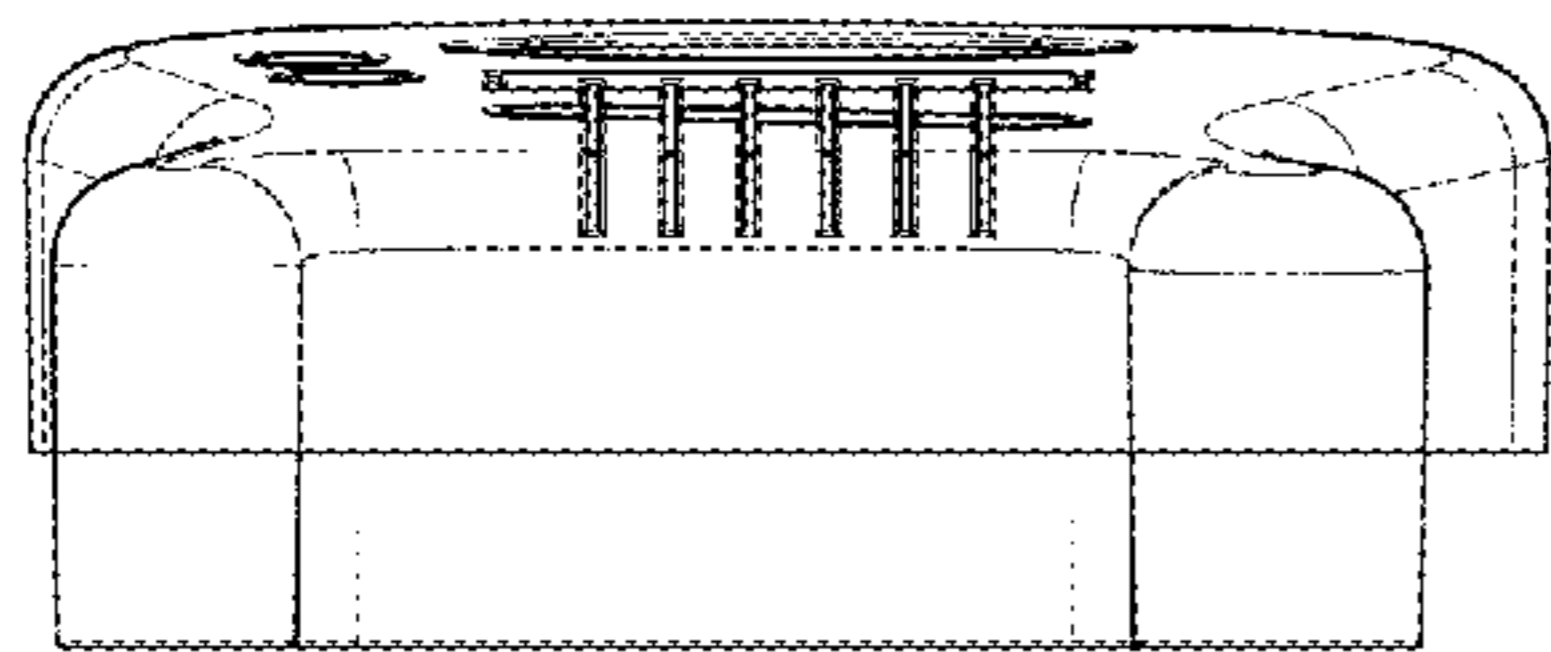


Fig. 3

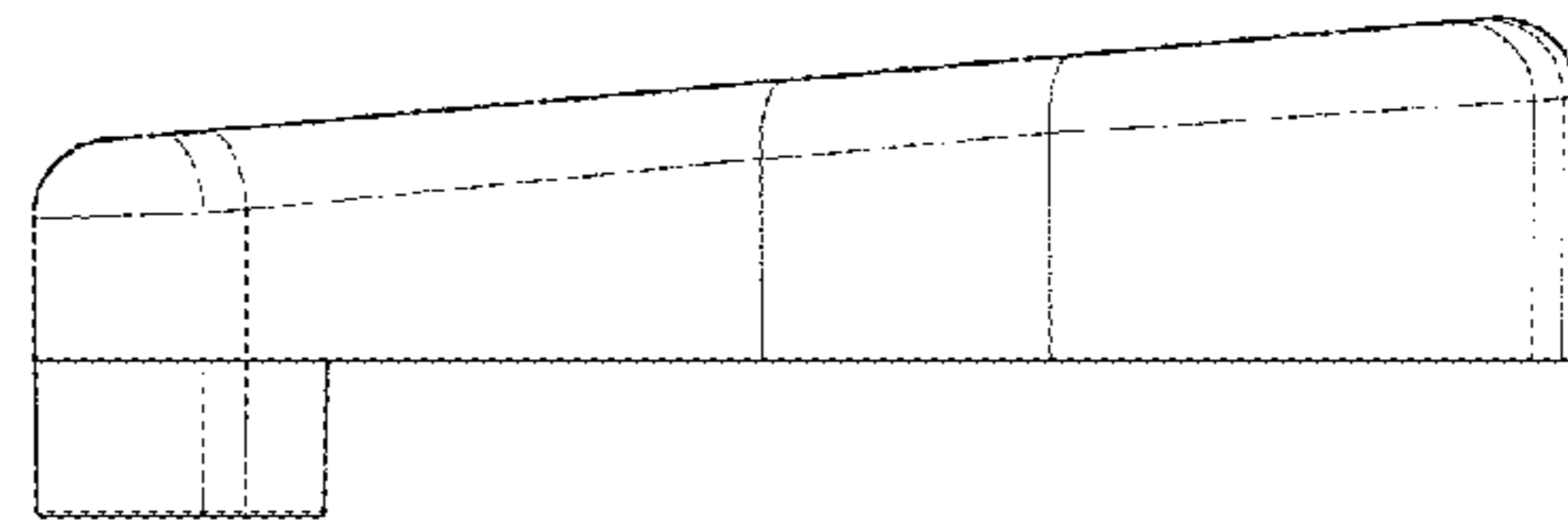


Fig. 4

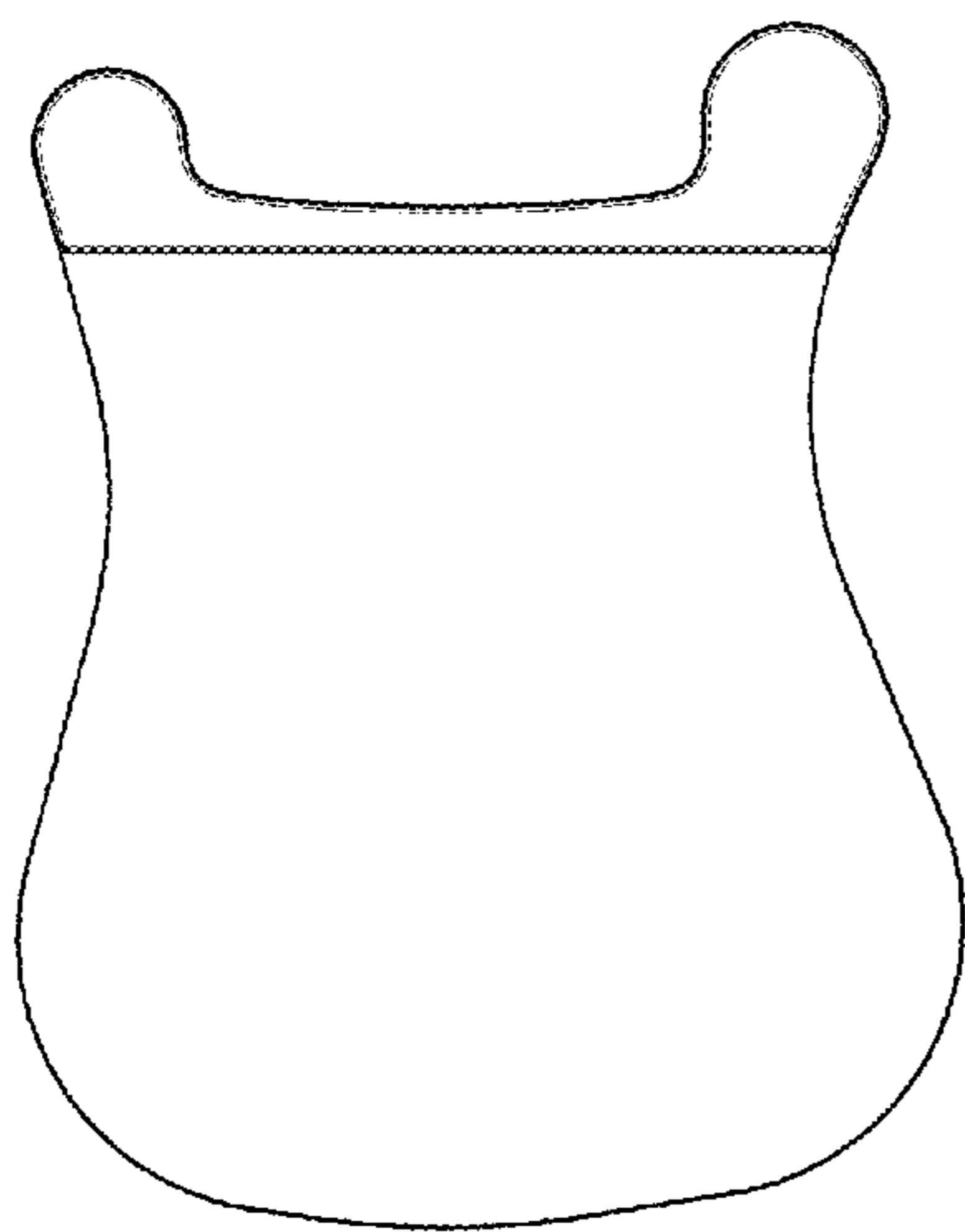


Fig. 5

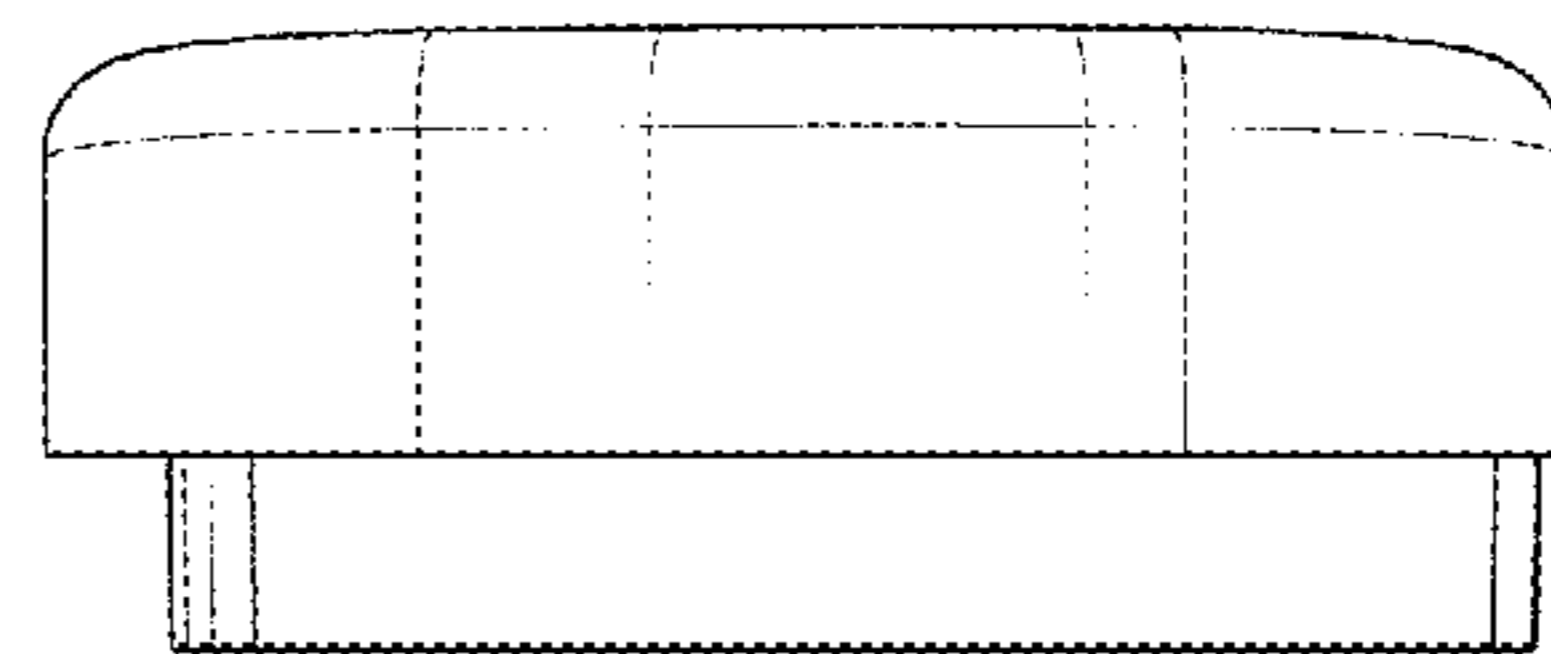


Fig. 6