



US00D838308S

(12) **United States Design Patent** (10) **Patent No.:** **US D838,308 S**
Swan (45) **Date of Patent:** **** Jan. 15, 2019**

(54) **T-POST CAMERA MOUNT**

(71) Applicant: **Thomas Russell Swan**, Lubbock, TX (US)

(72) Inventor: **Thomas Russell Swan**, Lubbock, TX (US)

(**) Term: **14 Years**

(21) Appl. No.: **29/518,949**

(22) Filed: **Feb. 27, 2015**

(51) **LOC (11) Cl.** **16-05**

(52) **U.S. Cl.**
USPC **D16/242; D8/394**

(58) **Field of Classification Search**
USPC D8/72, 349, 355, 373, 382, 387, 394;
D16/214, 219, 235-250; D20/41, 43;
182/187, 92; 248/49, 62, 65, 67.7, 70,
248/73, 121, 122.1, 124.1, 125.1-3, 200,
248/218.4, 220.21, 221.11, 222.14,
248/226.11, 231.21, 300, 316.1, 534, 535;
(Continued)

(56) **References Cited**

U.S. PATENT DOCUMENTS

D184,448 S * 2/1959 Marson D16/242
3,503,580 A * 3/1970 Levy F16L 3/12
211/107
D230,374 S * 2/1974 Quinn D16/239
(Continued)

OTHER PUBLICATIONS

“T-Post Wood to Steel Adapter”. Found online Oct. 12, 2016 at www.hooverfence.com. Page dated Apr. 16, 2012. Retrieved from <URL:<https://web.archive.org/web/20120416101208/http://www.hooverfence.com/woodfence/twpa.htm>>.*

(Continued)

Primary Examiner — Garth Rademaker
Assistant Examiner — Katelin G Kloberg
(74) *Attorney, Agent, or Firm* — Shannon L. Warren

(57) **CLAIM**

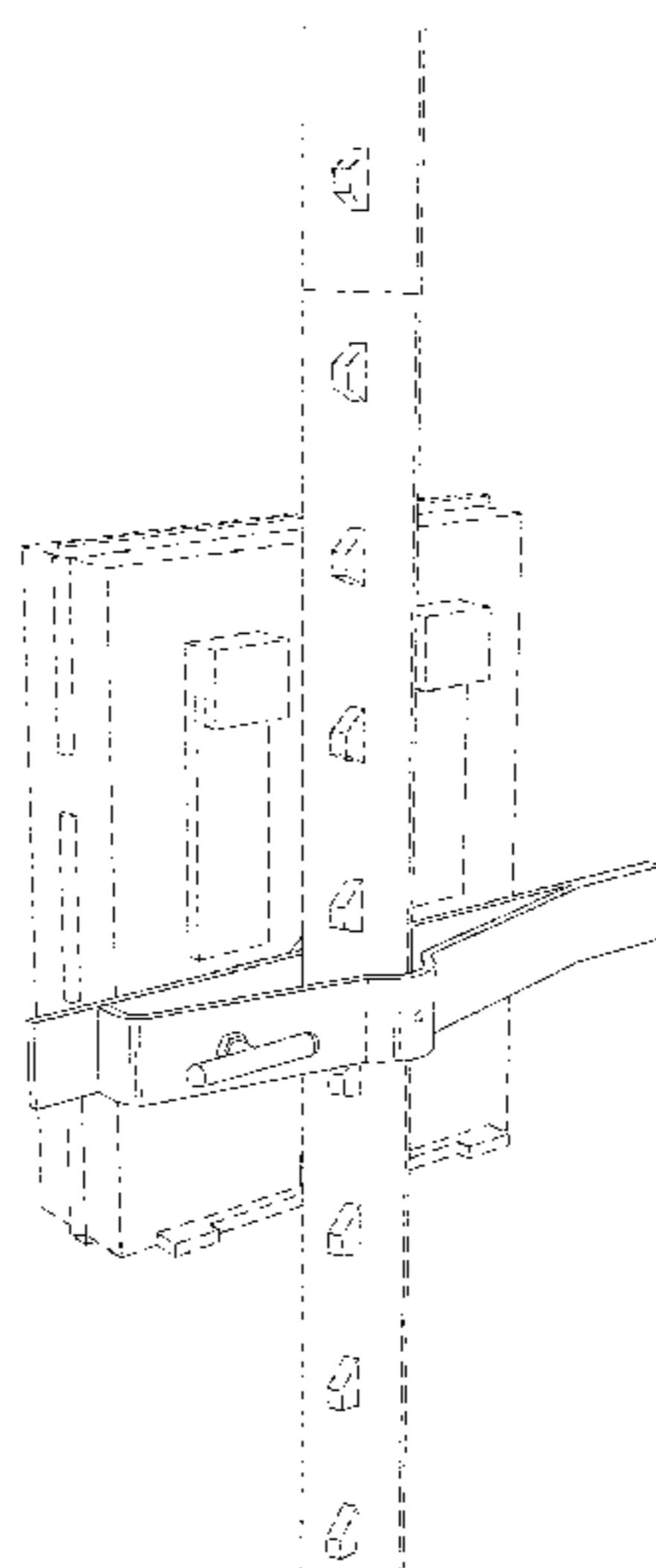
The ornamental design for a T-post camera mount, as shown and described.

DESCRIPTION

FIG. 1 is a top, rear, left perspective view of a T-post camera mount, showing my new design;
FIG. 2 is a top plan view thereof;
FIG. 3 is a top, rear, left perspective view shown with a screw element attached and in a closed configuration;
FIG. 4 is a top plan view thereof;
FIG. 5 illustrates a top, front, left side perspective view shown without the screw elements;
FIG. 6 is a reduced front elevation thereof, shown with a T-post;
FIG. 7 is a front elevation view thereof, shown attached to a T-post;
FIG. 8 is a rear, left side, perspective view shown with the T-shaped screw element, in a closed configuration, and with a camera;
FIG. 9 is a rear, left side perspective view thereof, shown attached to a camera;
FIG. 10 is a top, rear, left side perspective view shown with a screw element, in a closed configuration, and attached to an alternative camera;
FIG. 11 is a top, rear, left side perspective view shown attached to a T-post and the camera from FIG. 8;
FIG. 12 is a top plan view shown attached to a T-post; and,
FIG. 13 is a reduced top, front, left side perspective view thereof.

Said mounting system receives a camera and releaseably attaches the same to a post, as illustrated.
In the drawings, the broken lines depict environmental subject matter only and form no part of the claimed design.

1 Claim, 13 Drawing Sheets



(58) **Field of Classification Search**

USPC 348/143, 373, 375, 376; 396/419, 427,
396/428, 544; 352/243
CPC G03B 17/56; G03B 17/02; G03B 17/03;
G03B 17/05; G03B 17/06; G03B 17/561;
G03B 17/563; G03B 17/566; G03B
17/568; F16M 11/04

See application file for complete search history.

7,258,045 B2 * 8/2007 Smith B25B 13/48
182/92
D552,658 S * 10/2007 Moore D16/242
7,731,138 B2 6/2010 Wiesner et al.
8,087,626 B1 1/2012 Weeden
D701,260 S * 3/2014 Burton D16/242
D764,564 S * 8/2016 DeSomov D16/242
D768,756 S * 10/2016 Miyashita D16/242
D769,103 S * 10/2016 Loughlin D8/333
2006/0197001 A1 9/2006 Parker et al.

(56)

References Cited

U.S. PATENT DOCUMENTS

D274,796 S * 7/1984 Humble D10/106.91
D303,155 S * 8/1989 Ayers 182/92
6,138,972 A * 10/2000 Votruba B60P 3/075
248/230.4
6,247,553 B1 * 6/2001 Jones E06C 9/04
182/92
6,623,182 B2 9/2003 Tatera

OTHER PUBLICATIONS

“Adjustable Wood Adapter Clamp”. Found online Oct. 25, 2016 at
www.hooverfence.com. Page dated Feb. 3, 1999. Retrieved from
<URL:https://web.archive.org/web/19990203015855/http://www.
hooverfence.com/woodfence/awaclamp.htm>.*
“TEEclamp”. Found online Nov. 3, 2016 at http://teeclamp.com/.
Page dated Aug. 10, 2015. Retrieved from <URL:https://web.archive.
org/web/20150810002400/http://teeclamp.com/>.*

* cited by examiner

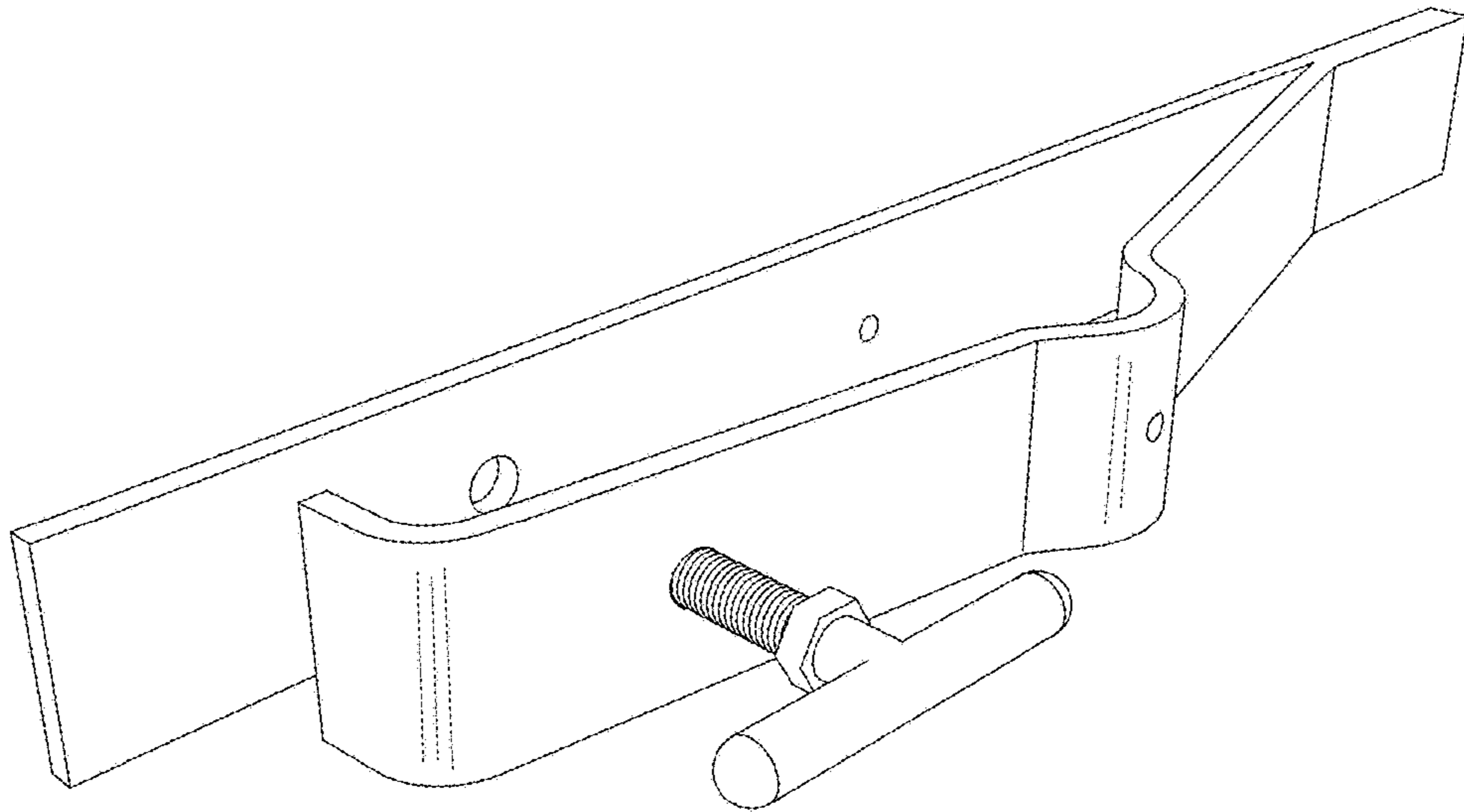


FIG. 1

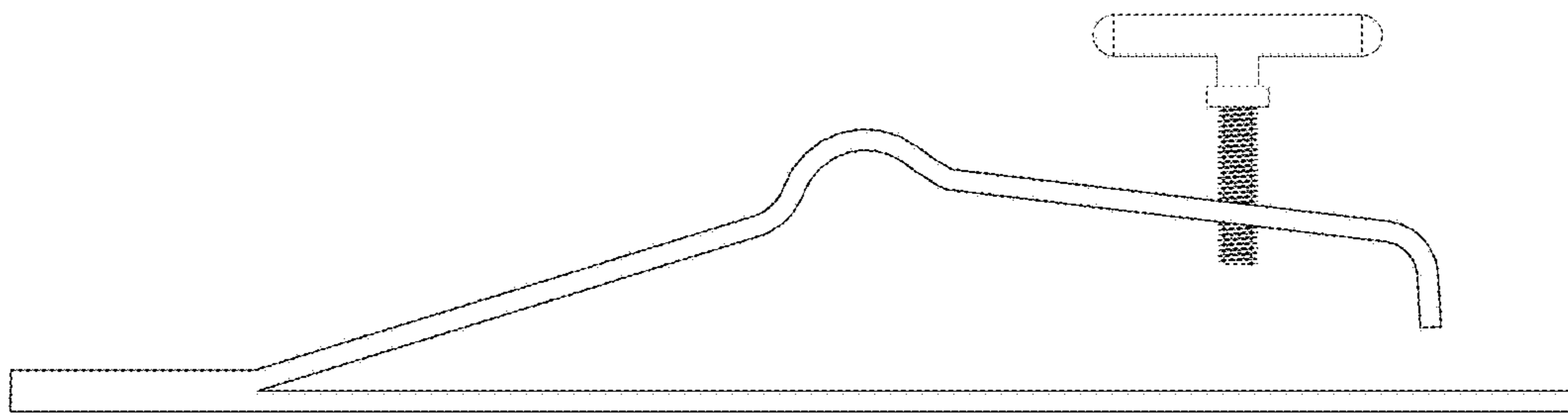


FIG. 2

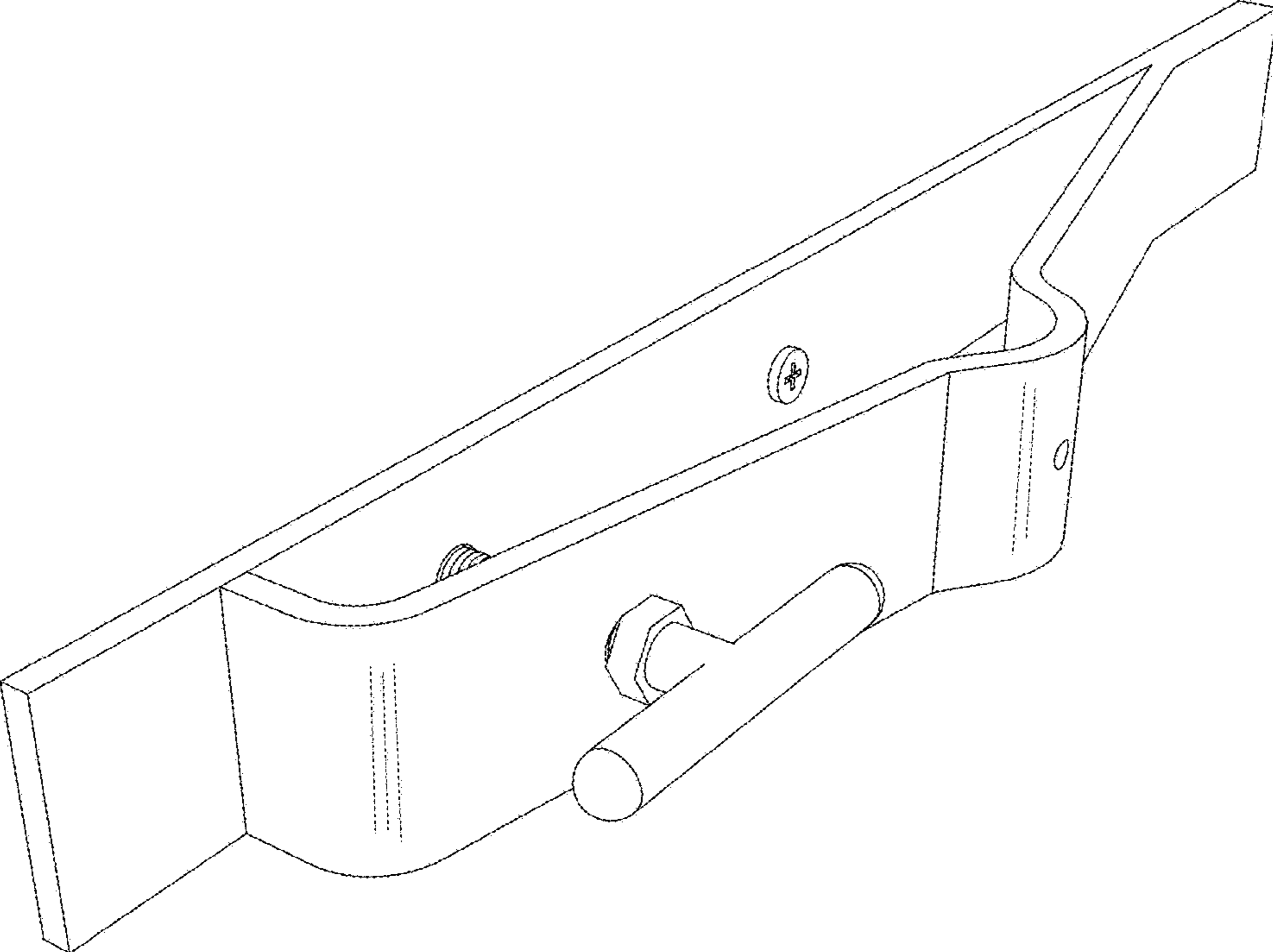


FIG. 3

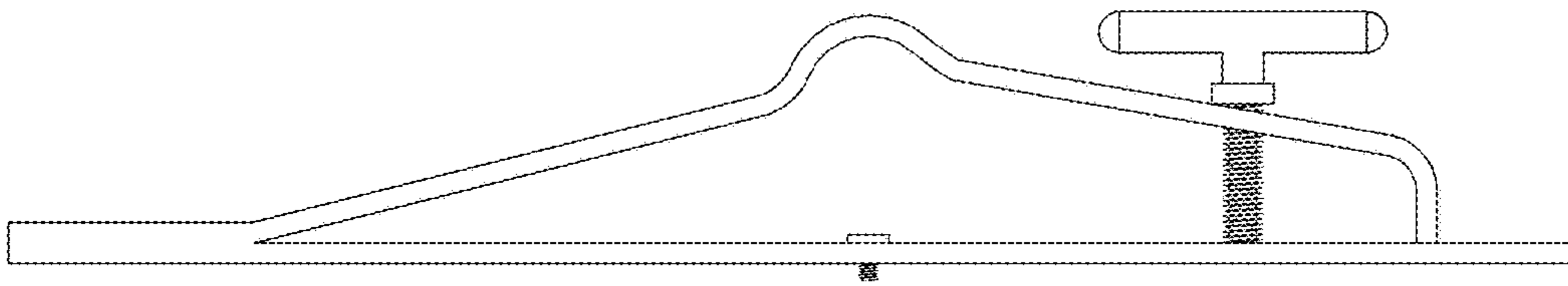


FIG. 4

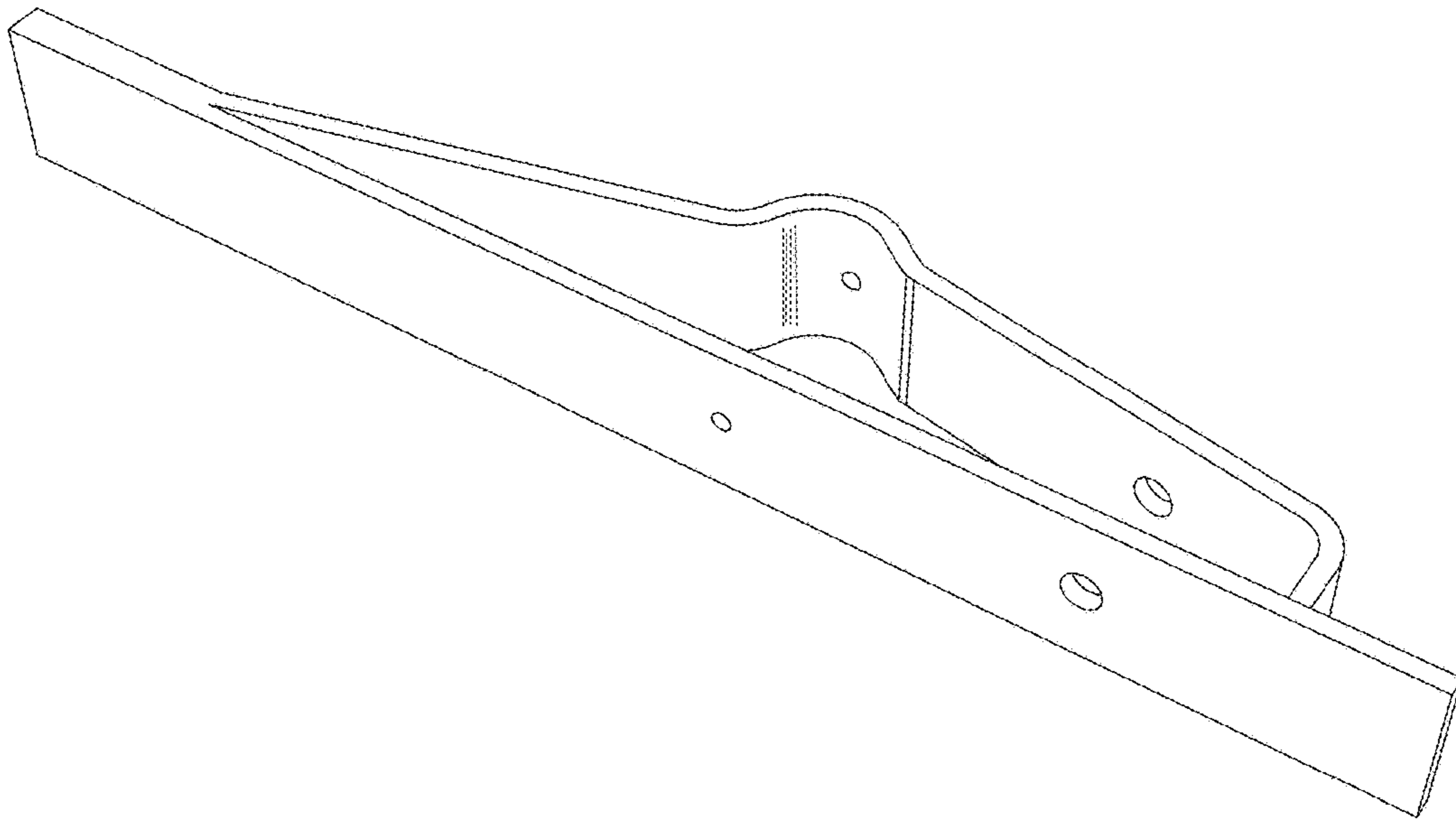


FIG. 5

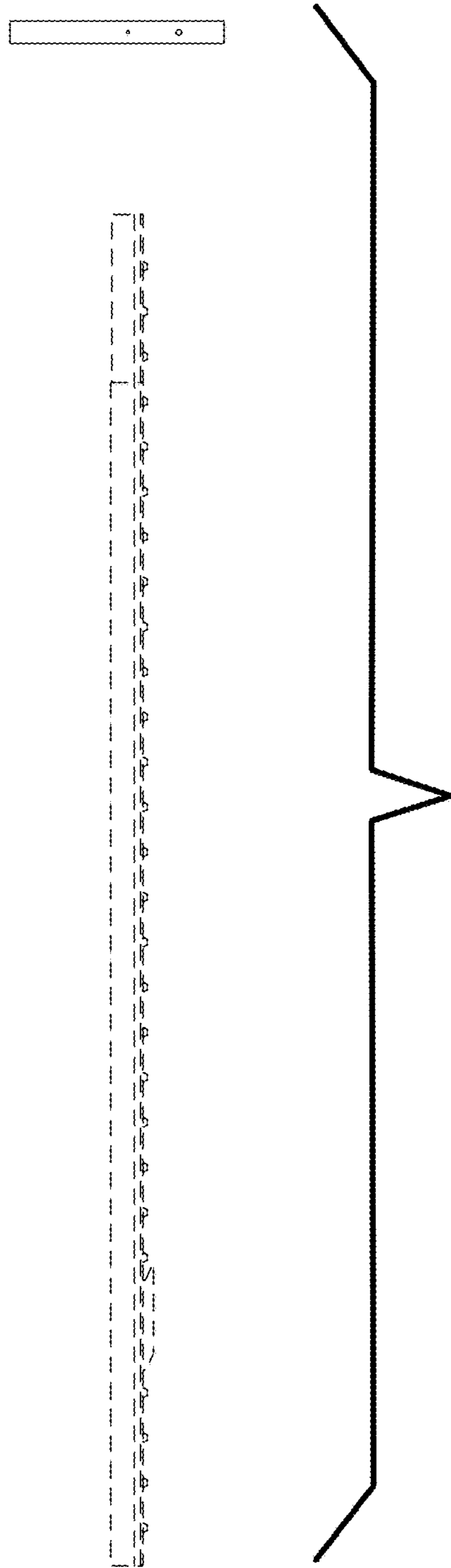


FIG. 6

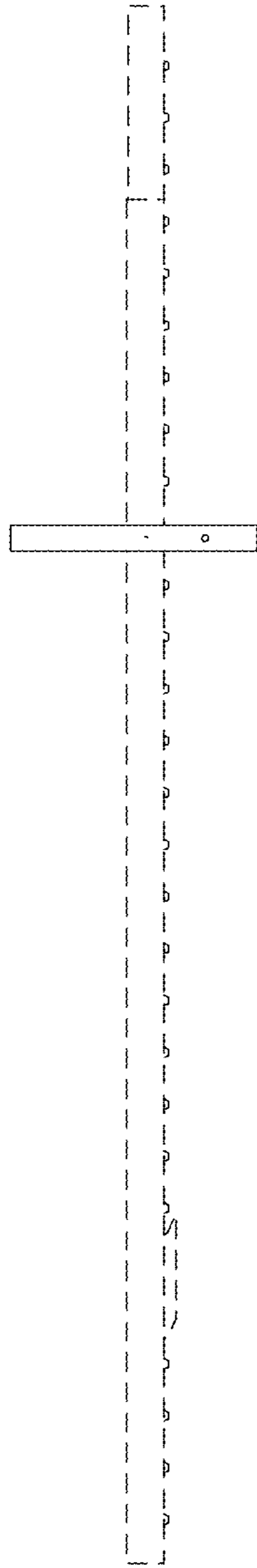


FIG. 7

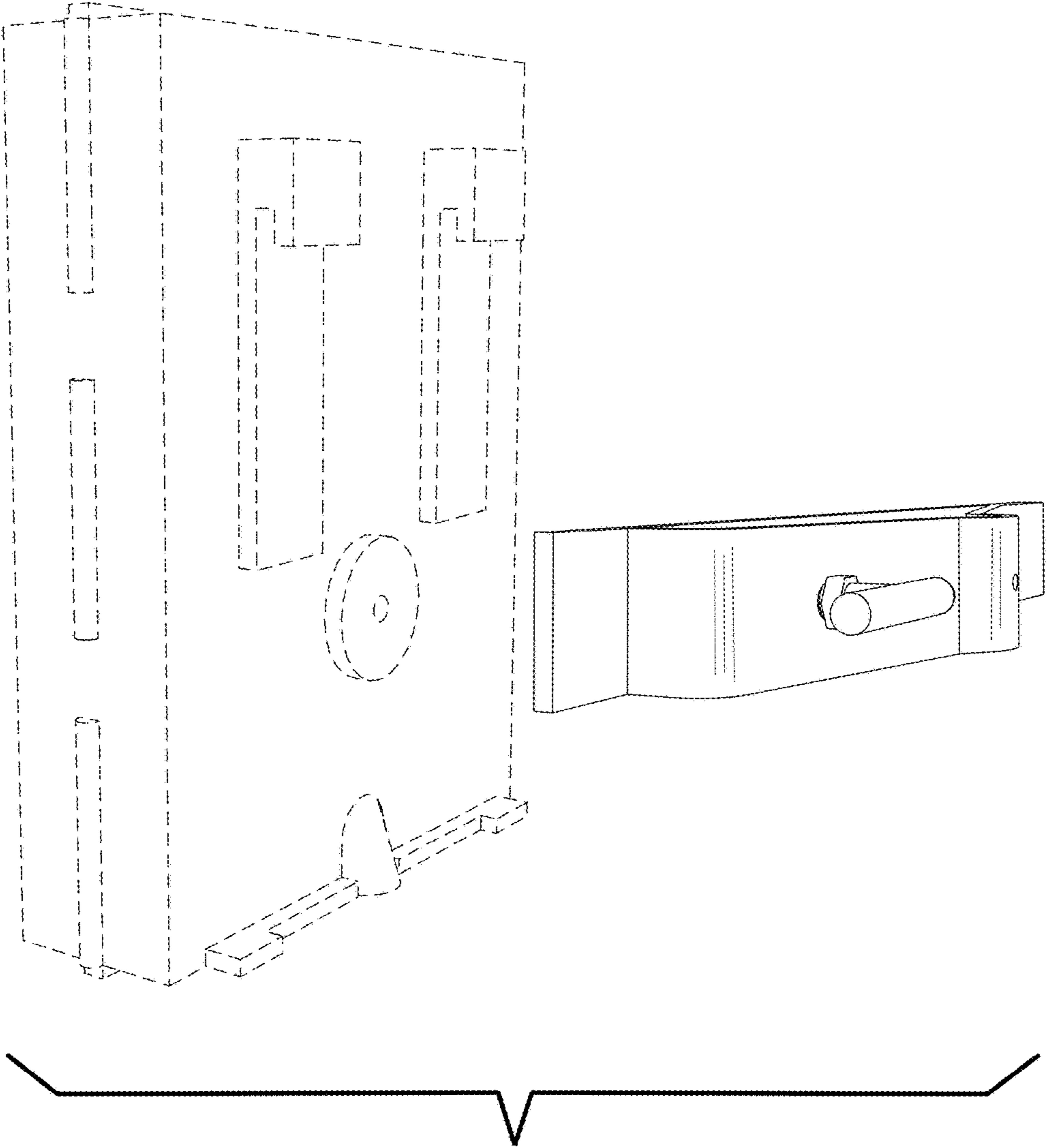


FIG. 8

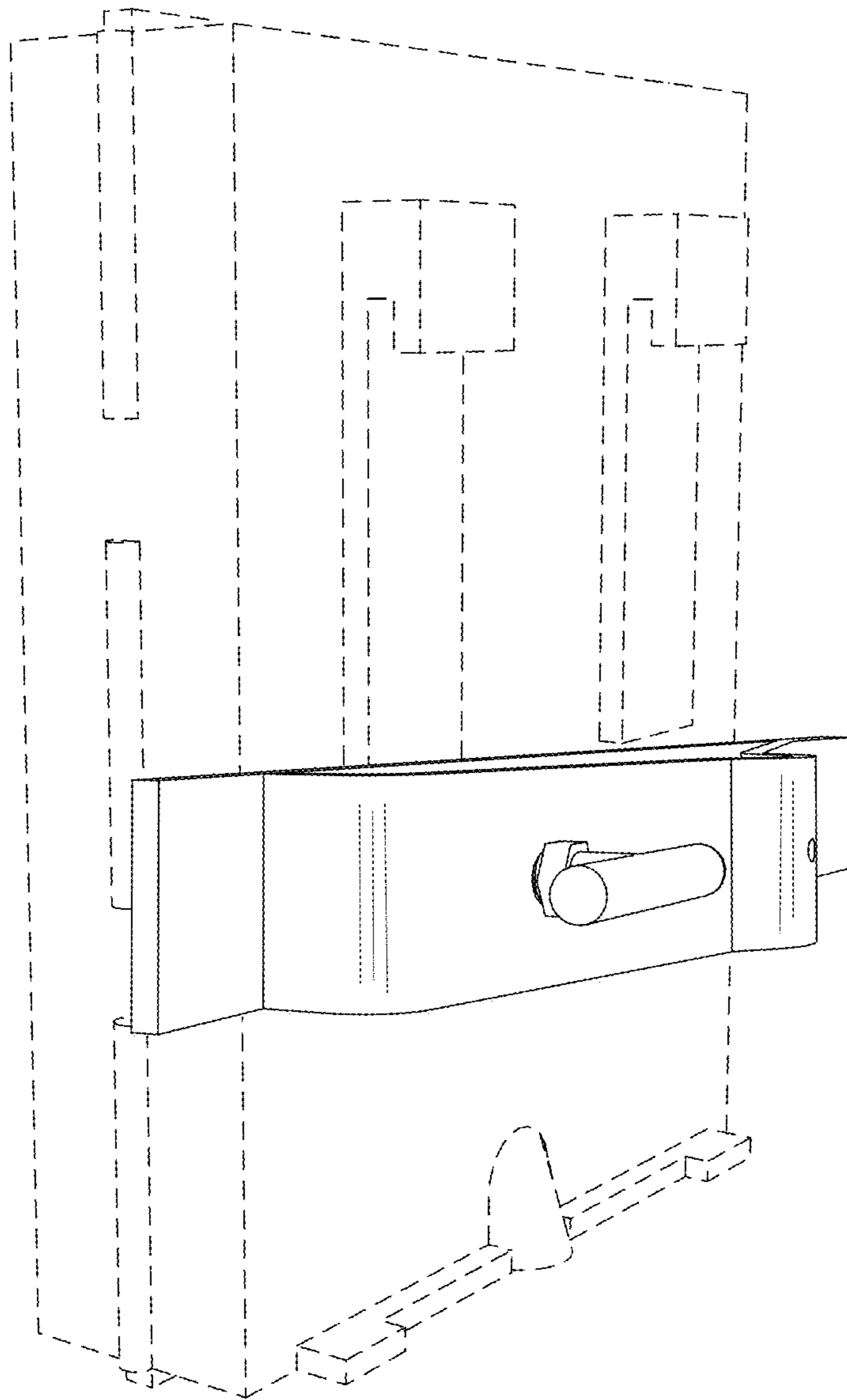


FIG. 9

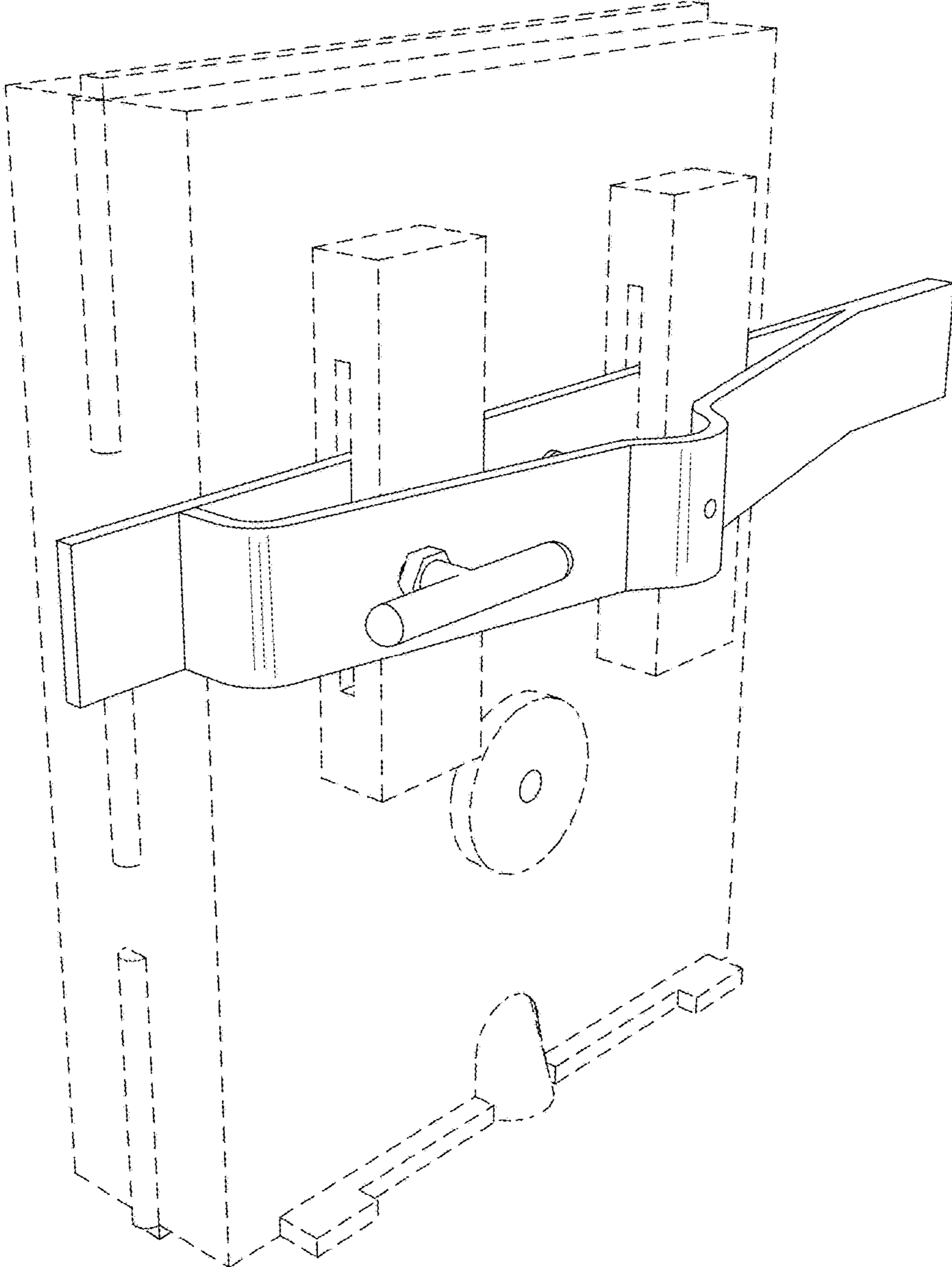


FIG. 10

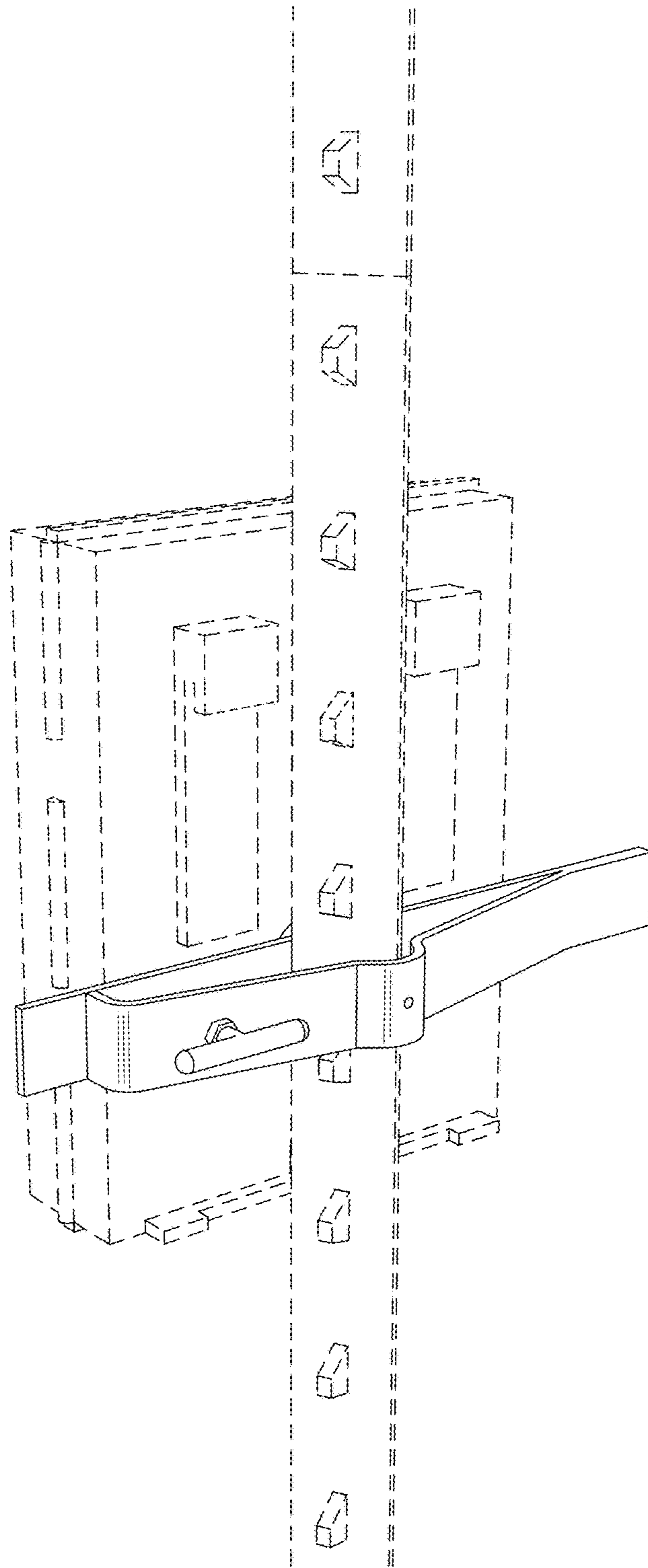


FIG. 11

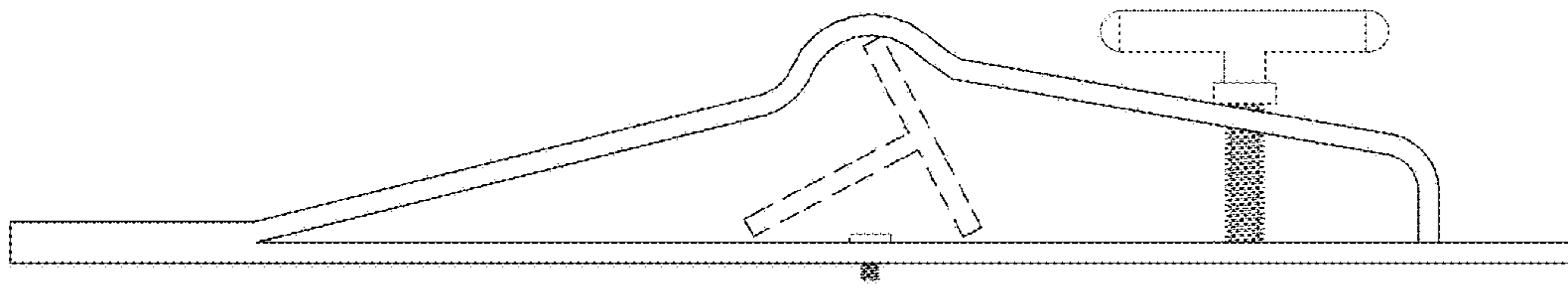


FIG. 12

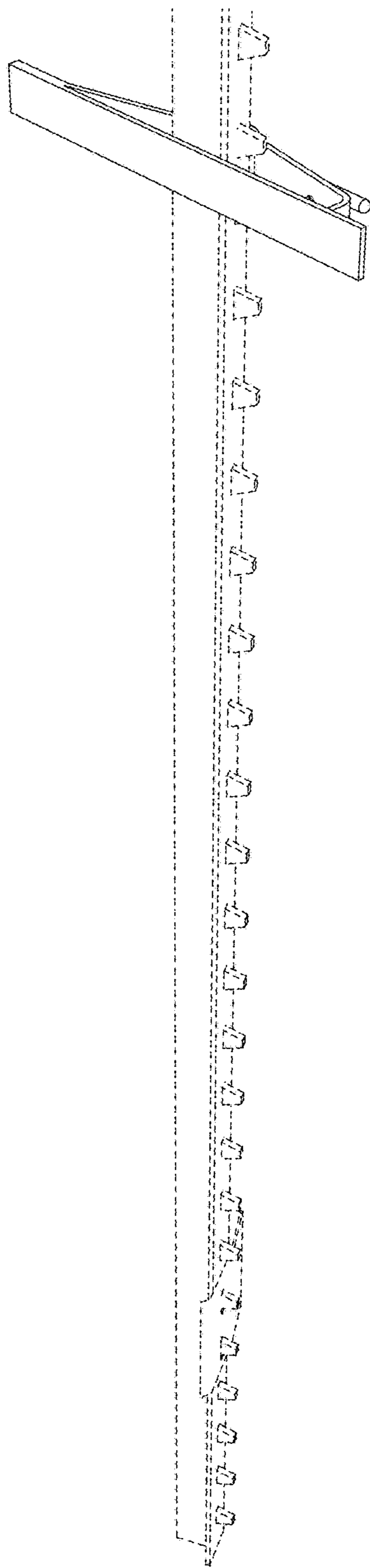


FIG. 13