



US00D838307S

(12) **United States Design Patent**
Patulski et al.

(10) **Patent No.:** **US D838,307 S**

(45) **Date of Patent:** **** Jan. 15, 2019**

(54) **BODY CAMERA**

(71) Applicant: **Axon Enterprise, Inc.**, Scottsdale, AZ
(US)

(72) Inventors: **Nathan A. Patulski**, Scottsdale, AZ
(US); **William J. Soper**, Bristol (GB);
John W. Wilson, Phoenix, AZ (US)

(73) Assignee: **AXON ENTERPRISE, INC.**,
Scottsdale, AZ (US)

(**) Term: **15 Years**

(21) Appl. No.: **29/629,658**

(22) Filed: **Dec. 14, 2017**

Related U.S. Application Data

(63) Continuation of application No. 29/531,022, filed on
Jun. 23, 2015, now Pat. No. Des. 812,672.

(51) **LOC (11) Cl.** **16-05**

(52) **U.S. Cl.**
USPC **D16/219**

(58) **Field of Classification Search**

USPC D16/200, 202–206, 208, 218, 219;
348/373–376; 396/535, 539–541
CPC G03B 15/03; G03B 17/02; G03B 17/04;
G03B 17/56; G03B 19/04; H04N 5/2251;
H04N 5/2252; H04N 5/2253; H04N
5/2254; H04N 2101/00

See application file for complete search history.

(56) **References Cited**

U.S. PATENT DOCUMENTS

D554,679 S *	11/2007	Nagayama	D16/202
D572,285 S *	7/2008	Kuroda	D16/202
D652,067 S *	1/2012	Katsuraku	D16/219
D729,297 S *	5/2015	Ikegame	D16/202
D781,362 S *	3/2017	Ikegame	D16/211
D781,363 S *	3/2017	Ikegame	D16/211

* cited by examiner

Primary Examiner — Philip S Hyder

Assistant Examiner — Ramzi S Almatrahi

(74) *Attorney, Agent, or Firm* — Letham Law Firm, LLC

(57) **CLAIM**

The ornamental design for a body camera, as shown and described.

DESCRIPTION

FIG. 1 is a left front isometric view of a body camera of our new design;

FIG. 2 is a right front isometric view of the body camera shown in FIG. 1;

FIG. 3 is a front view of the body camera shown in FIG. 1;

FIG. 4 is a top view of the body camera shown in FIG. 1;

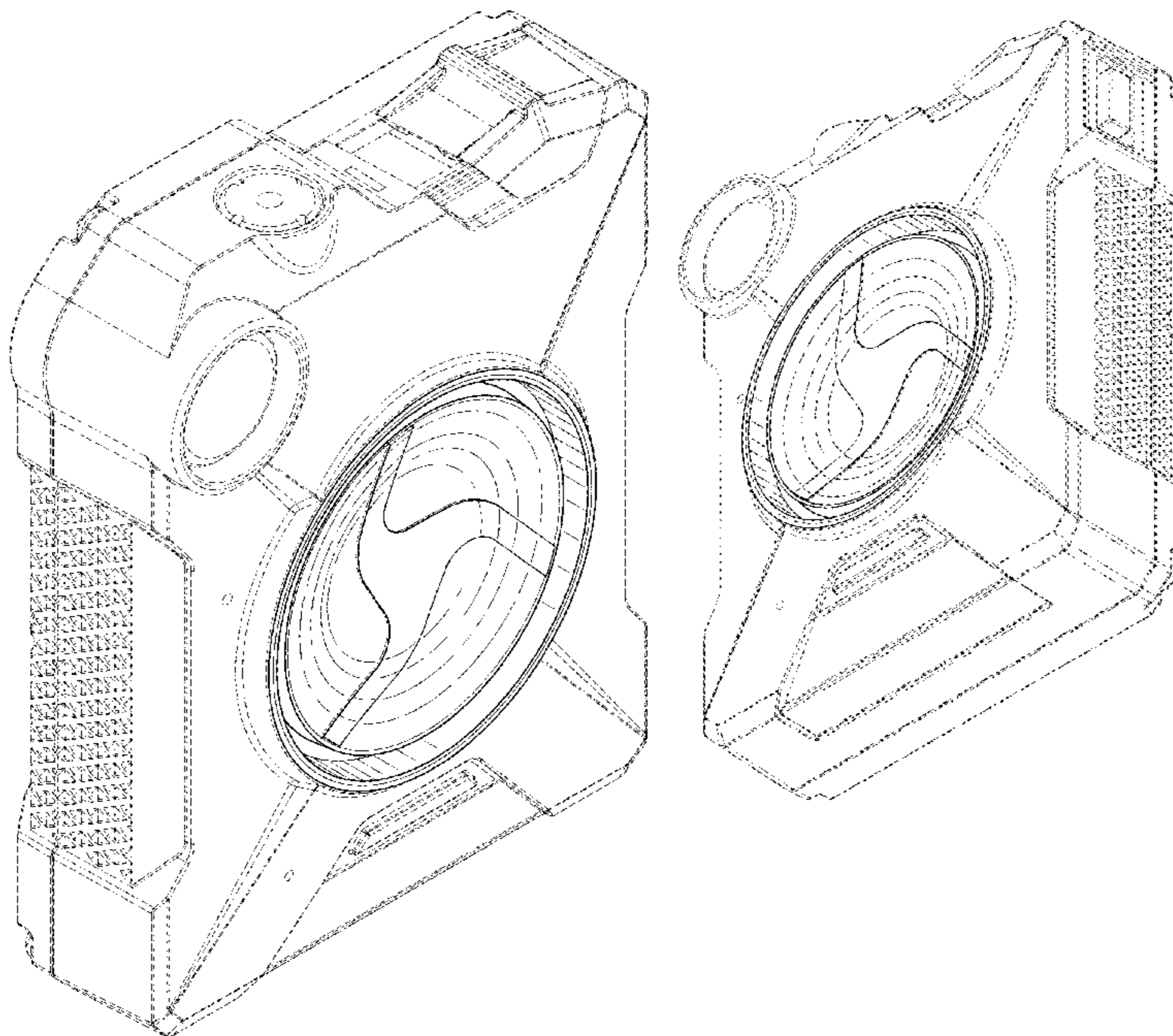
FIG. 5 is a bottom view of the body camera shown in FIG. 1;

FIG. 6 is a left side view of the body camera shown in FIG. 1; and,

FIG. 7 is a right side view of the body camera shown in FIG. 1.

The broken lines in the drawing depict portions of the body camera that form no part of the claimed design.

1 Claim, 5 Drawing Sheets



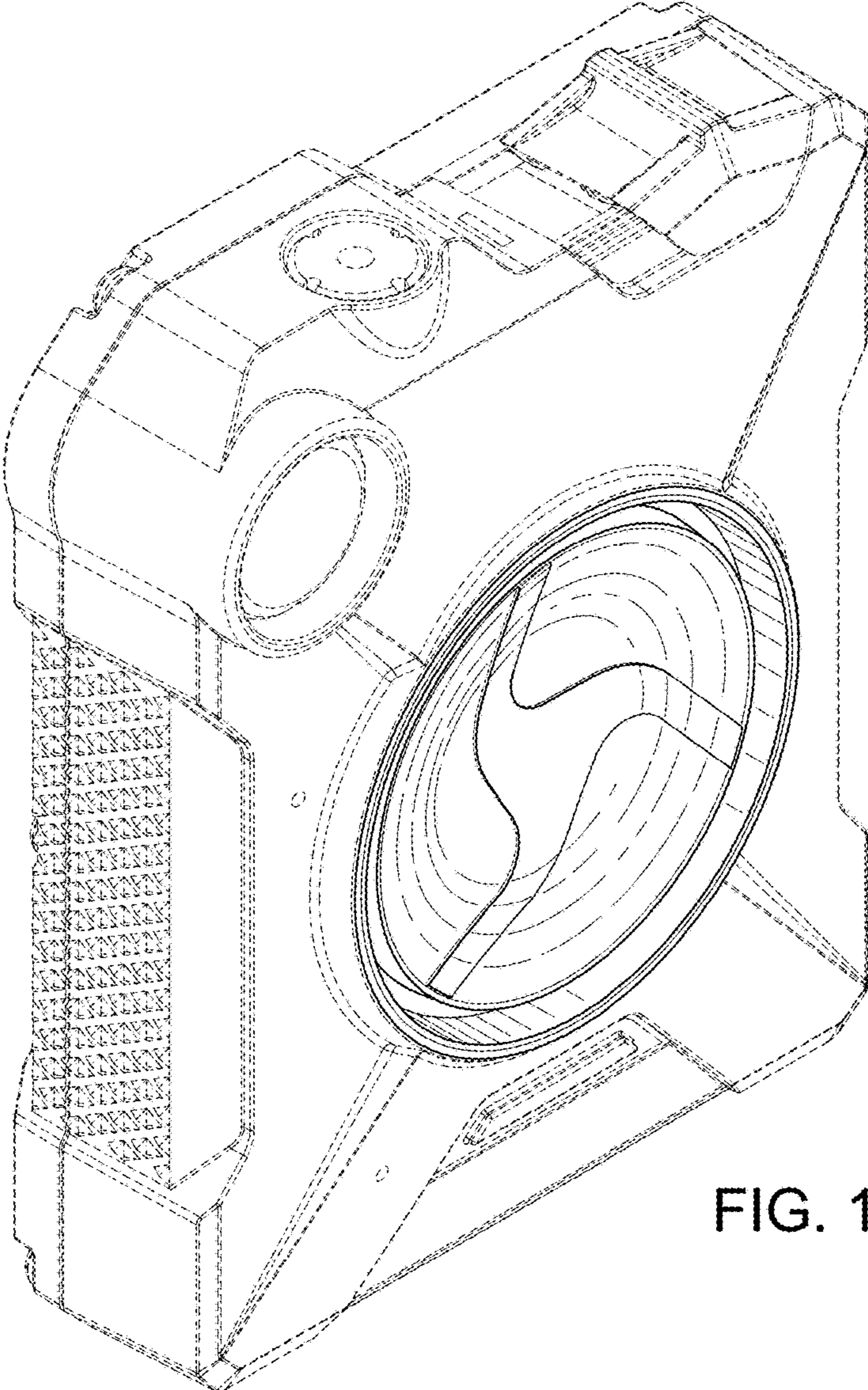


FIG. 1

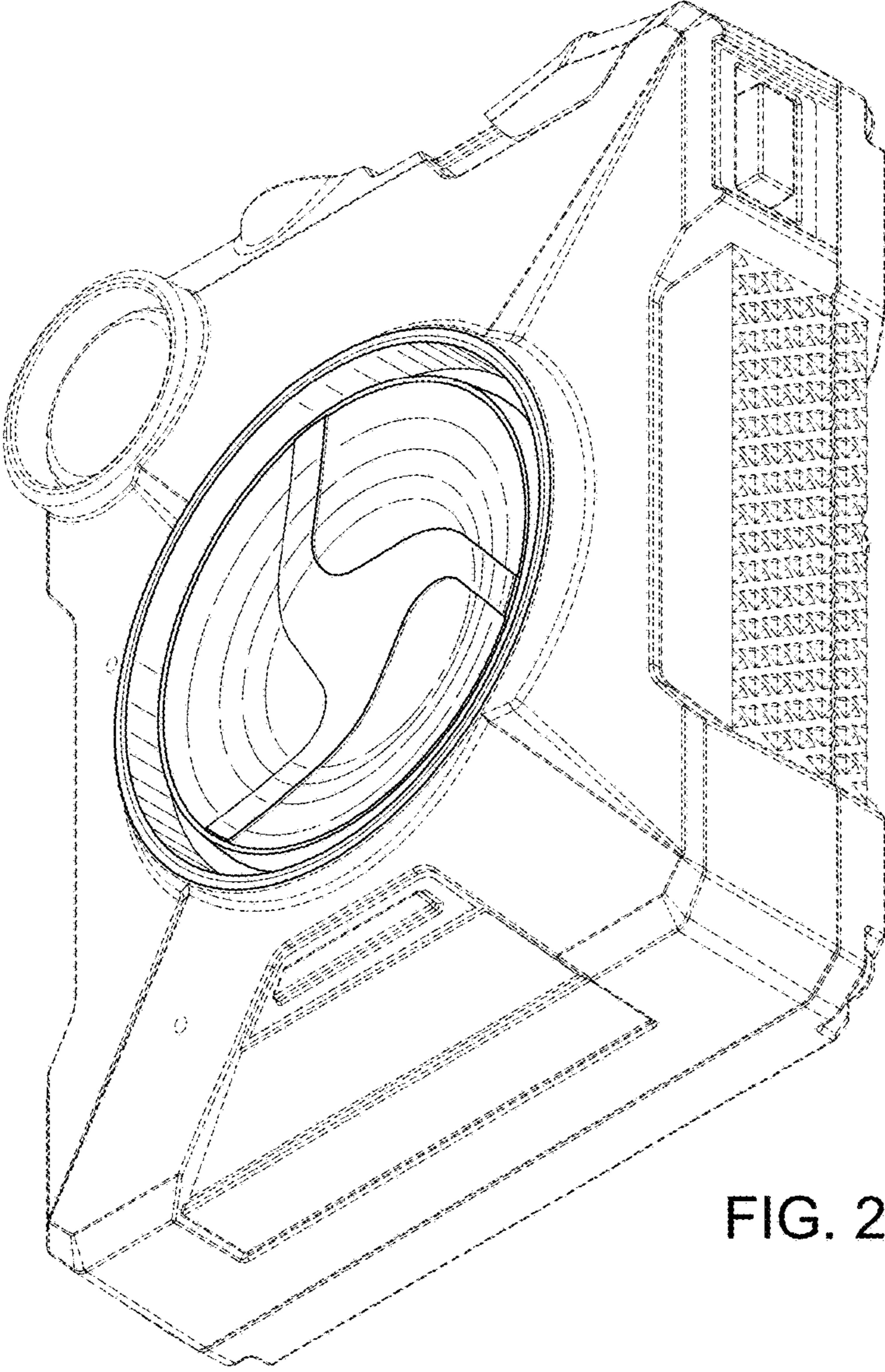


FIG. 2

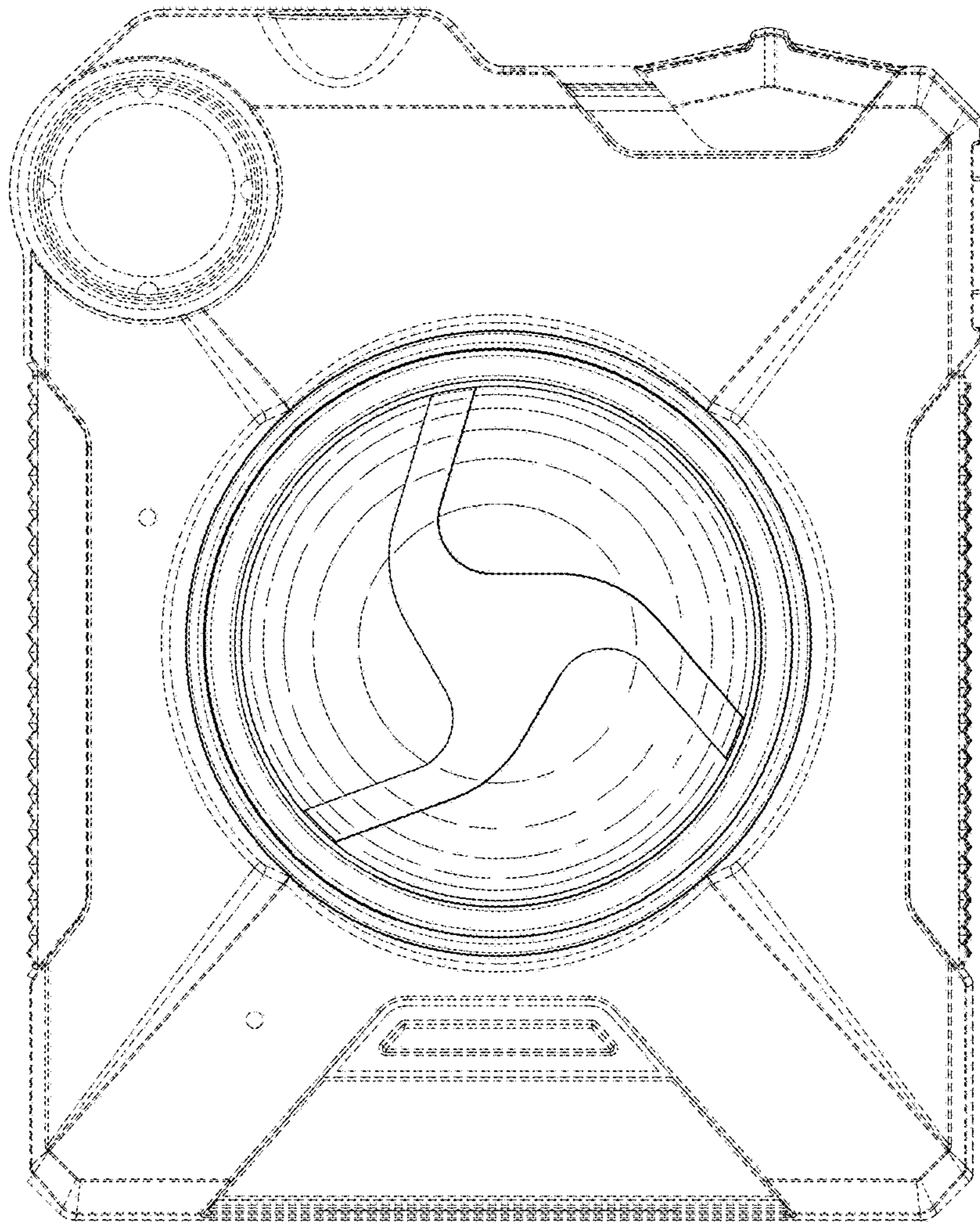


FIG. 3

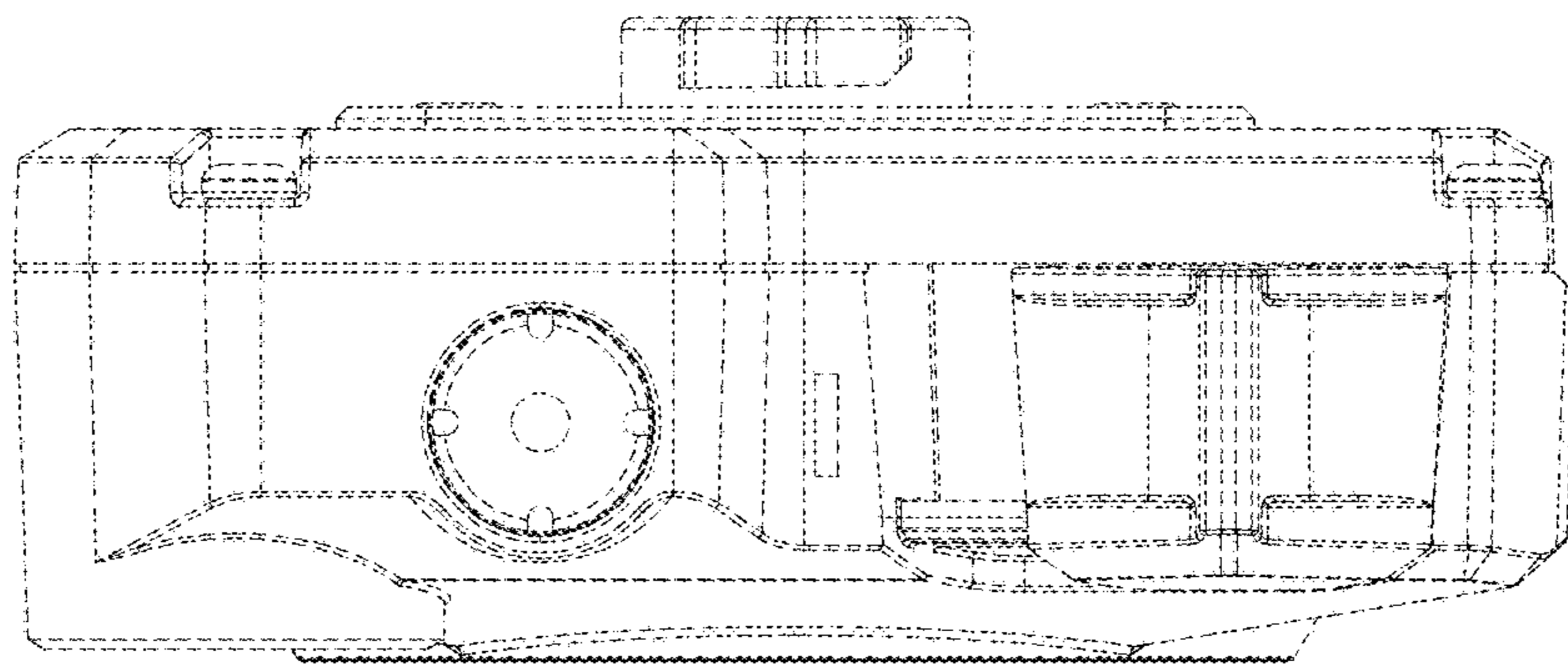


FIG. 4

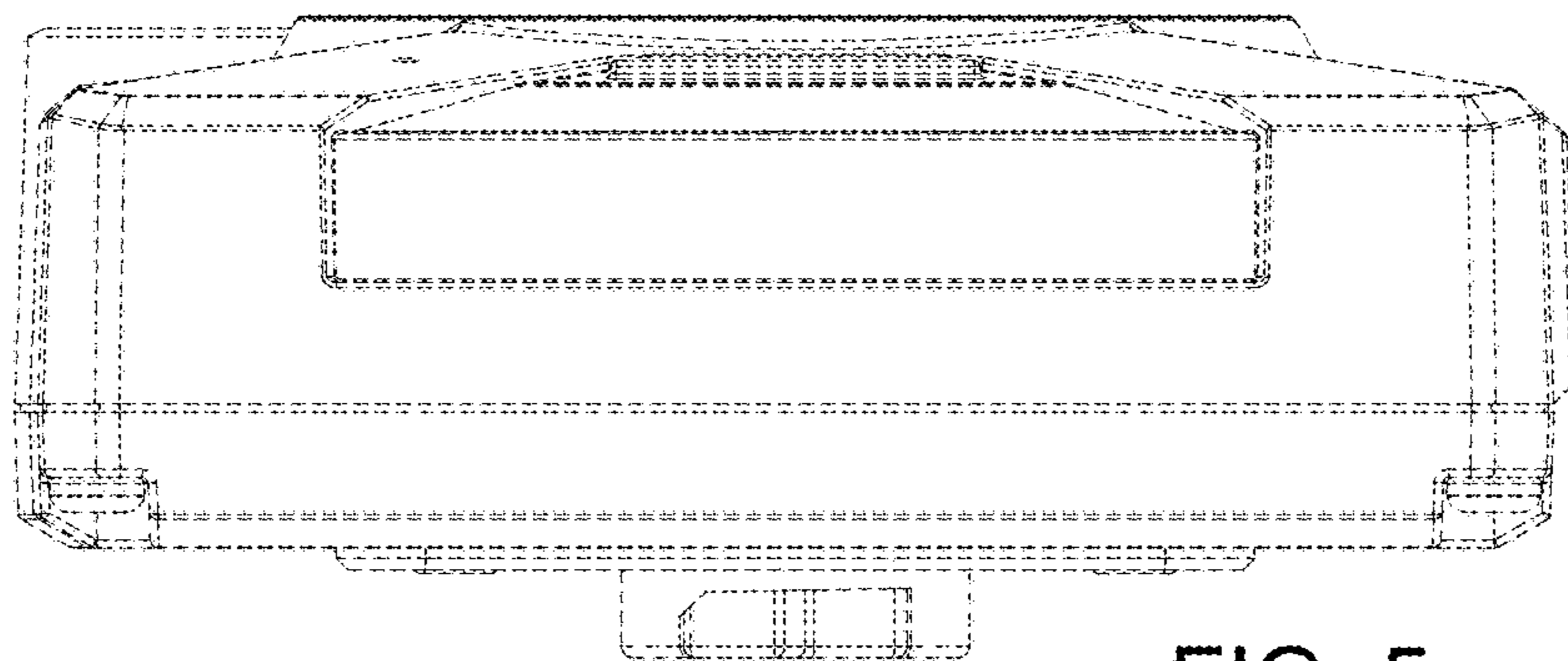


FIG. 5

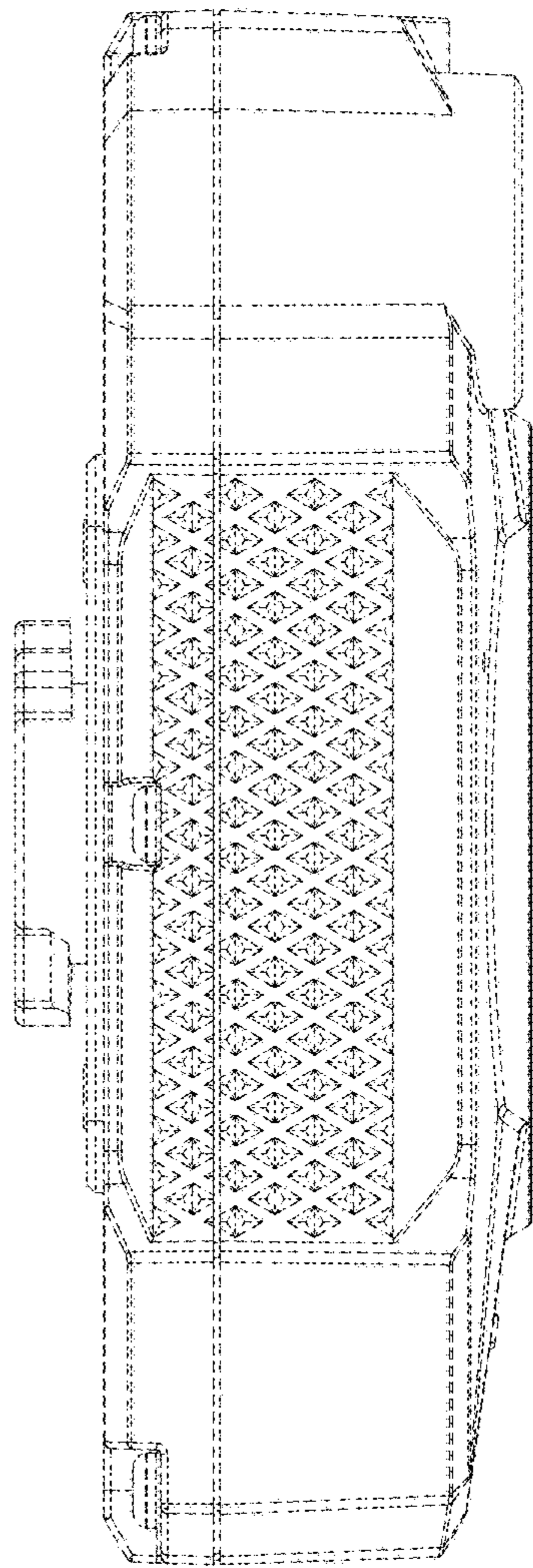


FIG. 6

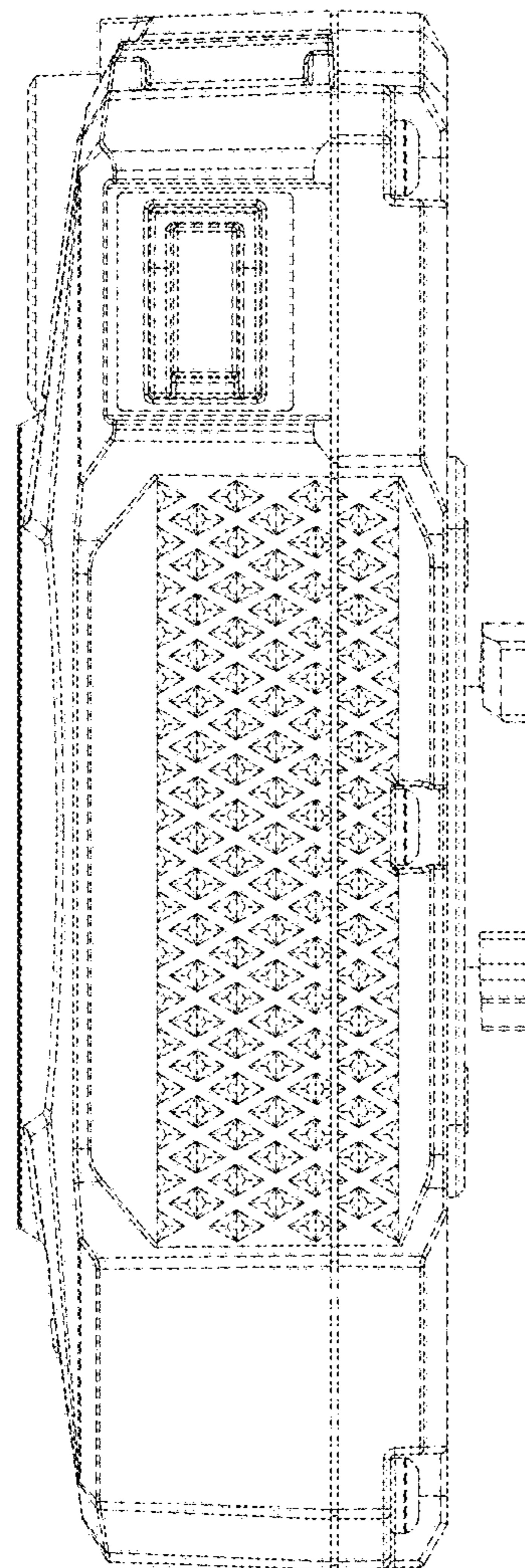


FIG. 7