



US00D838305S

(12) **United States Design Patent**
Chang et al.

(10) **Patent No.:** **US D838,305 S**
(45) **Date of Patent:** **** Jan. 15, 2019**

(54) **CAMERA DEVICE**
(71) Applicant: **Quanta Computer Inc.**, Taoyuan (TW)
(72) Inventors: **Chia-Yuan Chang**, Taoyuan (TW);
Jung-Wen Chang, Taoyuan (TW);
Ya-Chyi Chou, Taoyuan (TW); **Kao-Yu Hsu**, Taoyuan (TW)
(73) Assignee: **QUANTA COMPUTER INC.**,
Taoyuan (TW)

7,429,997 B2 * 9/2008 Givon G03B 35/00
348/38
D690,344 S * 9/2013 Hollinger D16/200
D700,232 S * 2/2014 Ramsay D16/207
D723,604 S * 3/2015 Mohan D16/203
D730,966 S * 6/2015 Liu D16/202
D731,579 S * 6/2015 Bart D16/203
D742,955 S * 11/2015 Kozko D16/207
D745,076 S * 12/2015 Pfeil D16/207
D750,147 S * 2/2016 Muller D16/203
D792,496 S * 7/2017 Meyer D16/207
2011/0128349 A1 * 6/2011 Theobald H04N 5/23238
348/36

(**) Term: **15 Years**

* cited by examiner

(21) Appl. No.: **29/602,576**

Primary Examiner — Philip S Hyder

(22) Filed: **May 2, 2017**

Assistant Examiner — Ramzi S Almatrahi

(30) **Foreign Application Priority Data**

(74) *Attorney, Agent, or Firm* — McClure, Qualey & Rodack, LLP

Jan. 23, 2017 (TW) 106300381

(51) **LOC (11) Cl.** **16-01**

(52) **U.S. Cl.**
USPC **D16/203**

(58) **Field of Classification Search**
USPC D16/200, 202–208, 218, 219, 242;
348/143, 148, 151, 373–376; 396/419,
396/427, 535, 539–541
CPC G03B 17/02; G03B 19/04; G03B 17/56;
G03B 17/04; G03B 15/03; H04N 5/2251;
H04N 5/2252; H04N 5/2253; H04N
5/2254; H04N 7/181; H04N 7/183; H04N
7/18; G08B 13/1963; G08B 13/19619;
G08B 13/19632

See application file for complete search history.

(56) **References Cited**

U.S. PATENT DOCUMENTS

D527,406 S * 8/2006 Lin D16/202
D554,682 S * 11/2007 Martinez D16/203

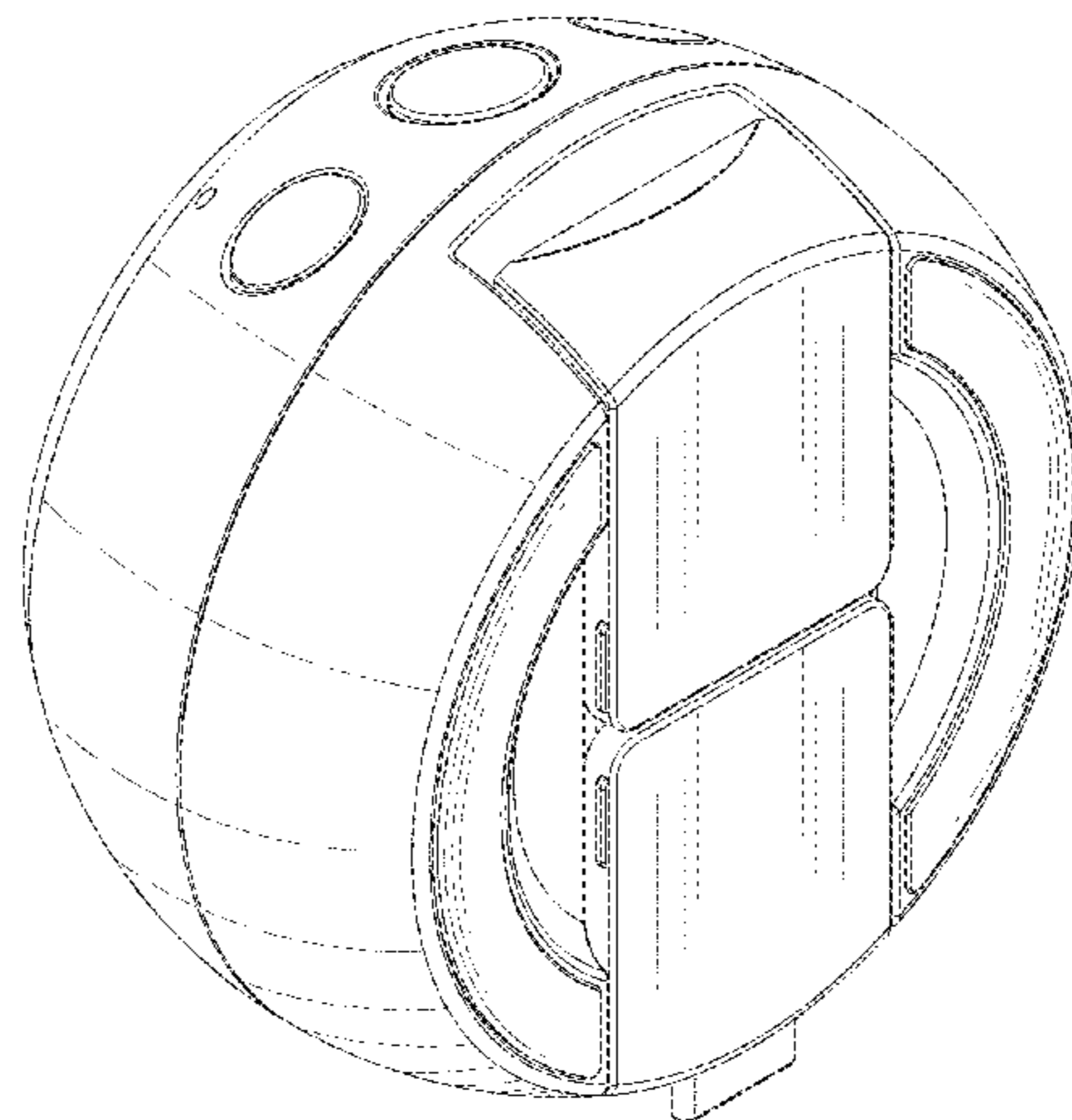
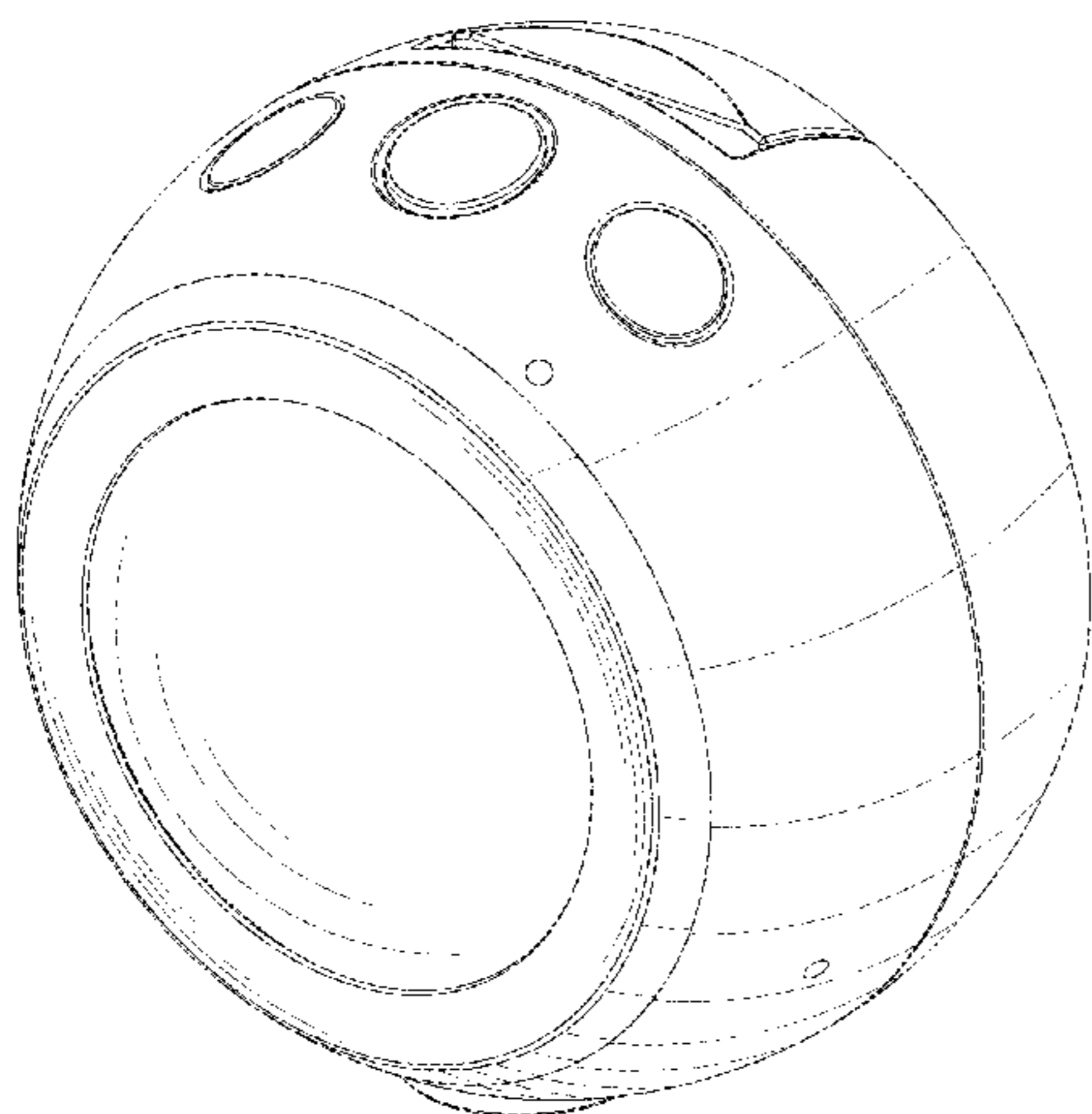
(57) **CLAIM**

The ornamental design for a camera device, as shown and described.

DESCRIPTION

FIG. 1 is a front perspective view of a camera device showing our new design;
FIG. 2 is a front view thereof;
FIG. 3 is a rear view thereof;
FIG. 4 is a left side view thereof;
FIG. 5 is a right side view thereof;
FIG. 6 is a top plan view thereof;
FIG. 7 is a bottom plan view thereof; and,
FIG. 8 is a rear perspective view thereof.
The broken lines depict portions of a camera device in which the design is embodied and forms no part of the claimed design.

1 Claim, 8 Drawing Sheets



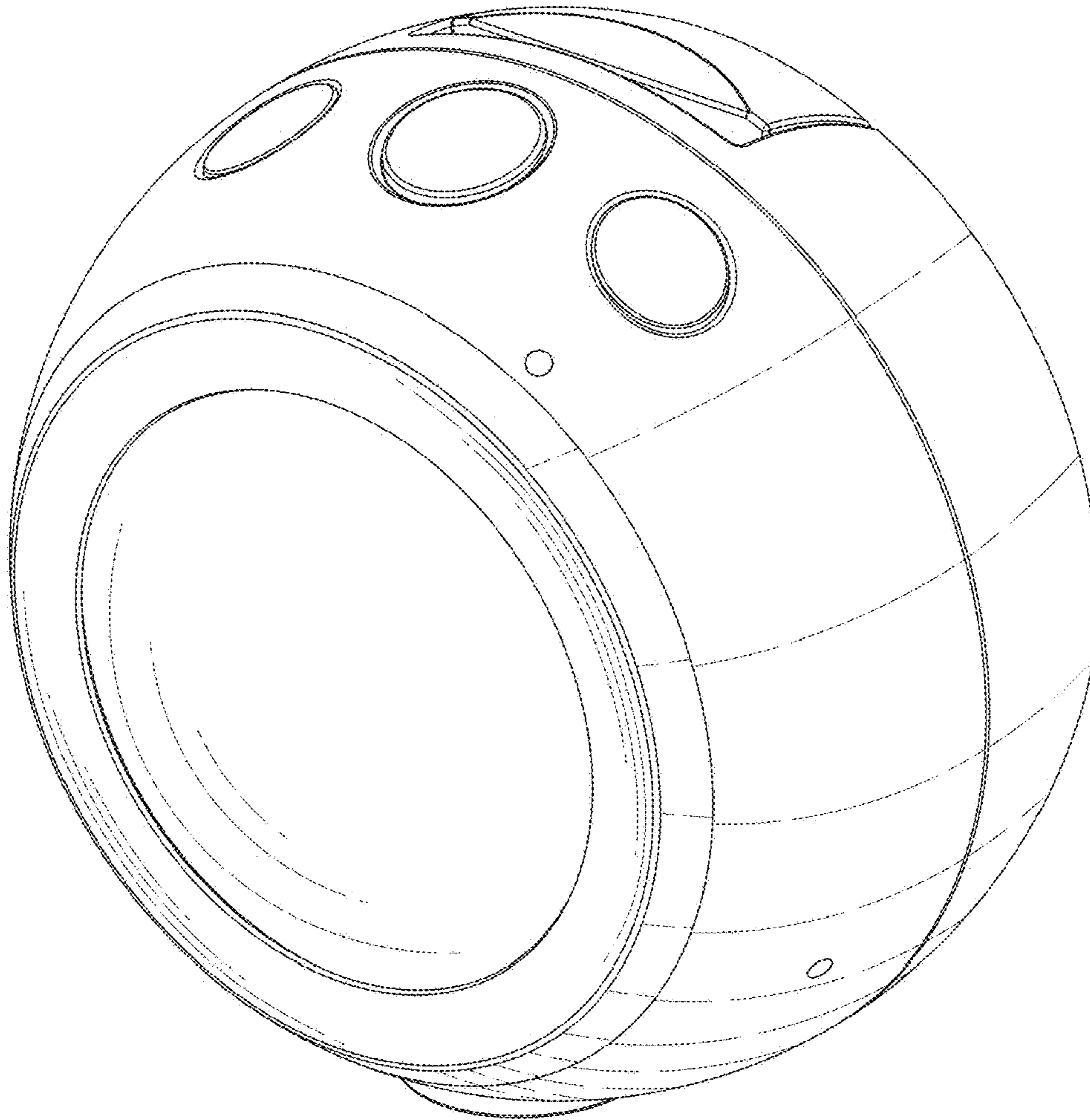


FIG. 1

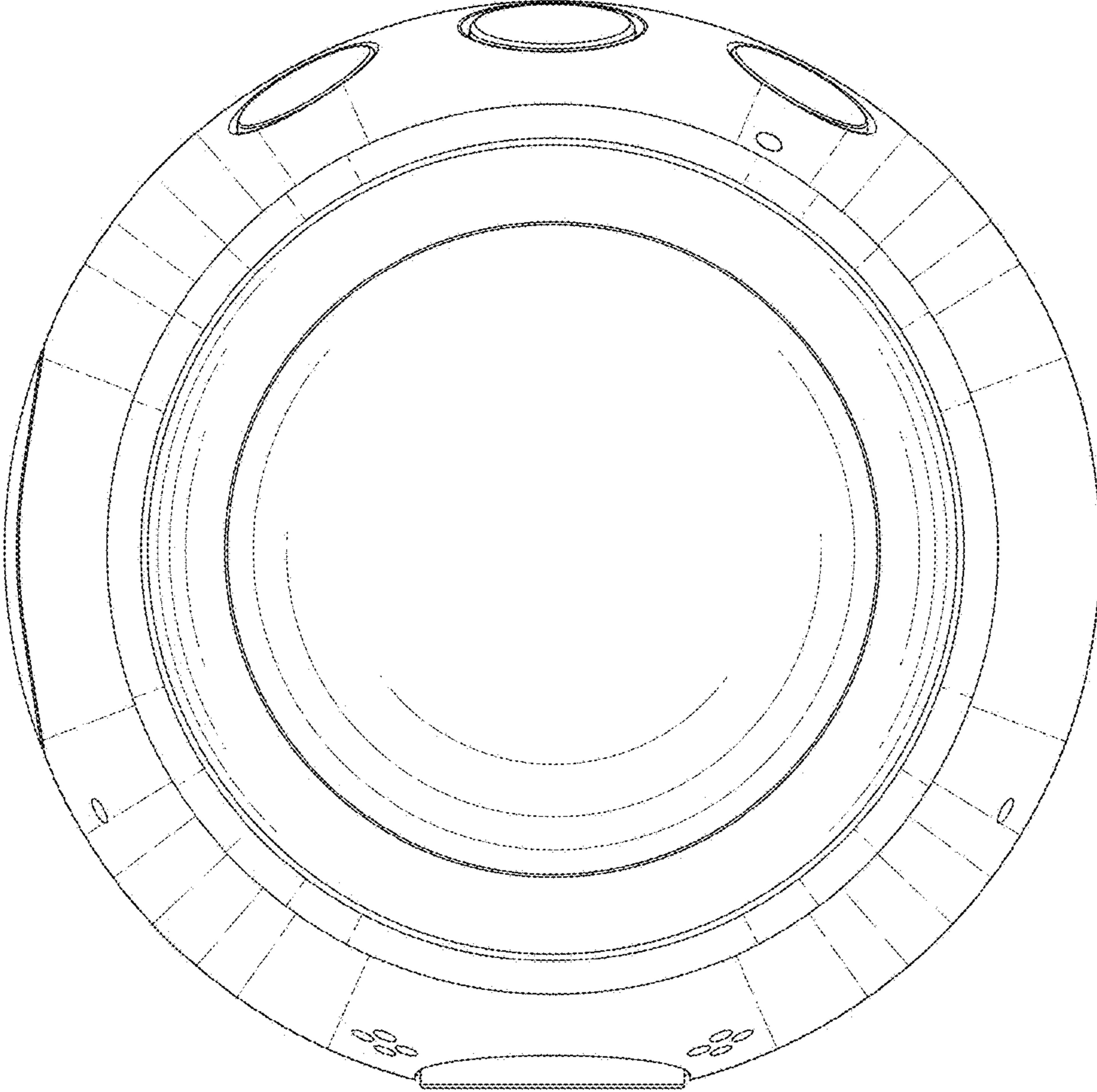


FIG. 2

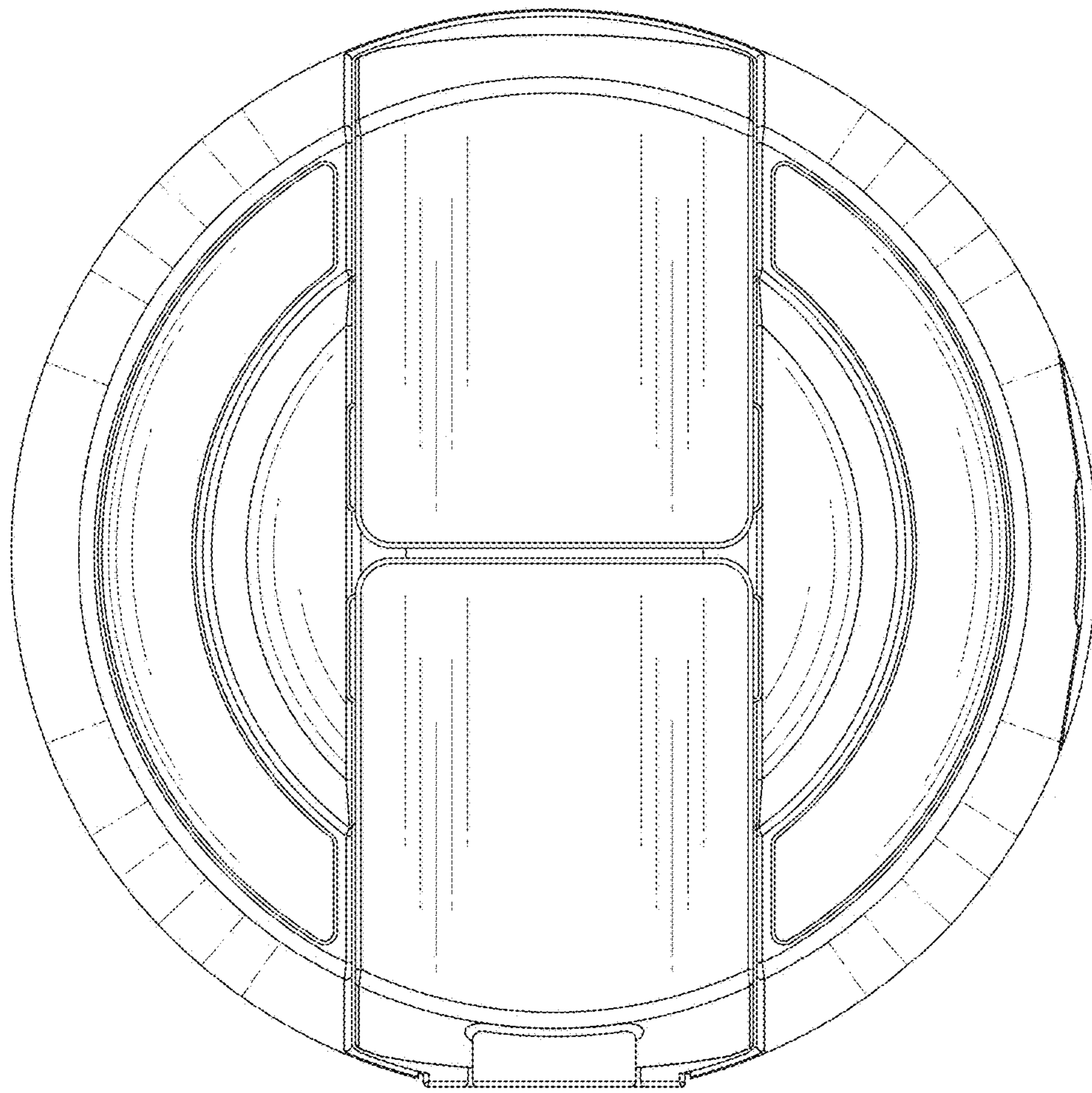


FIG. 3

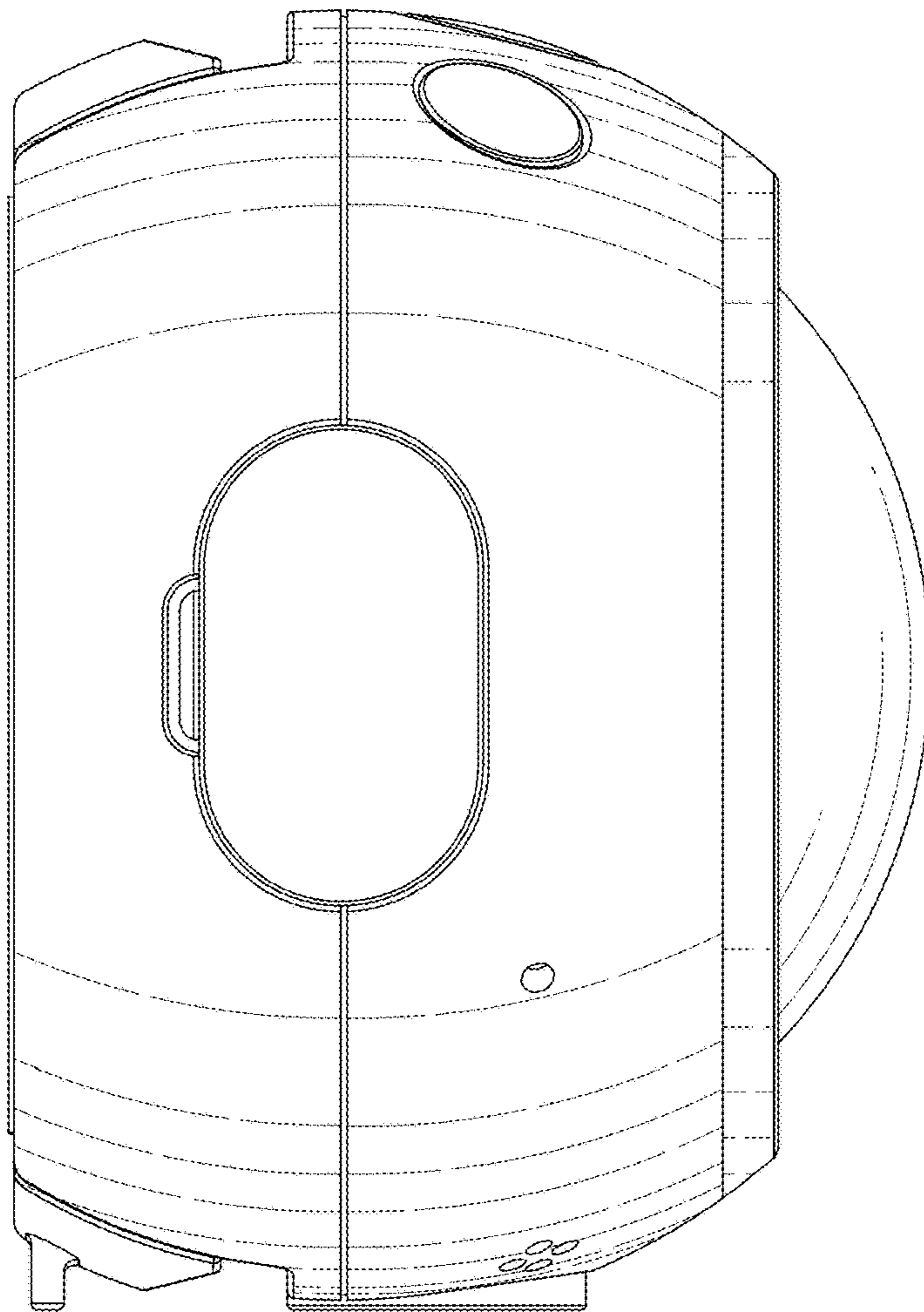


FIG. 4

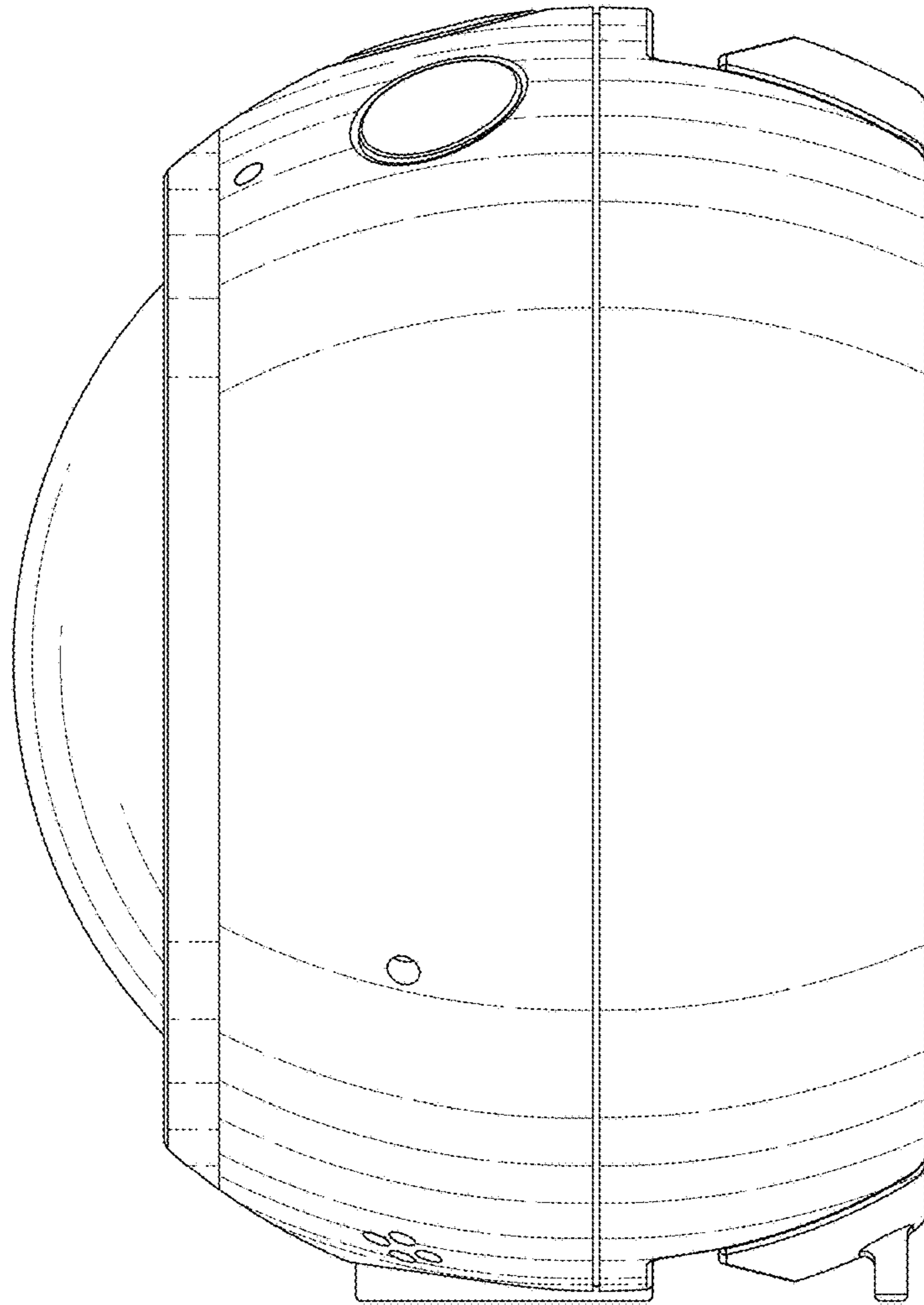


FIG. 5

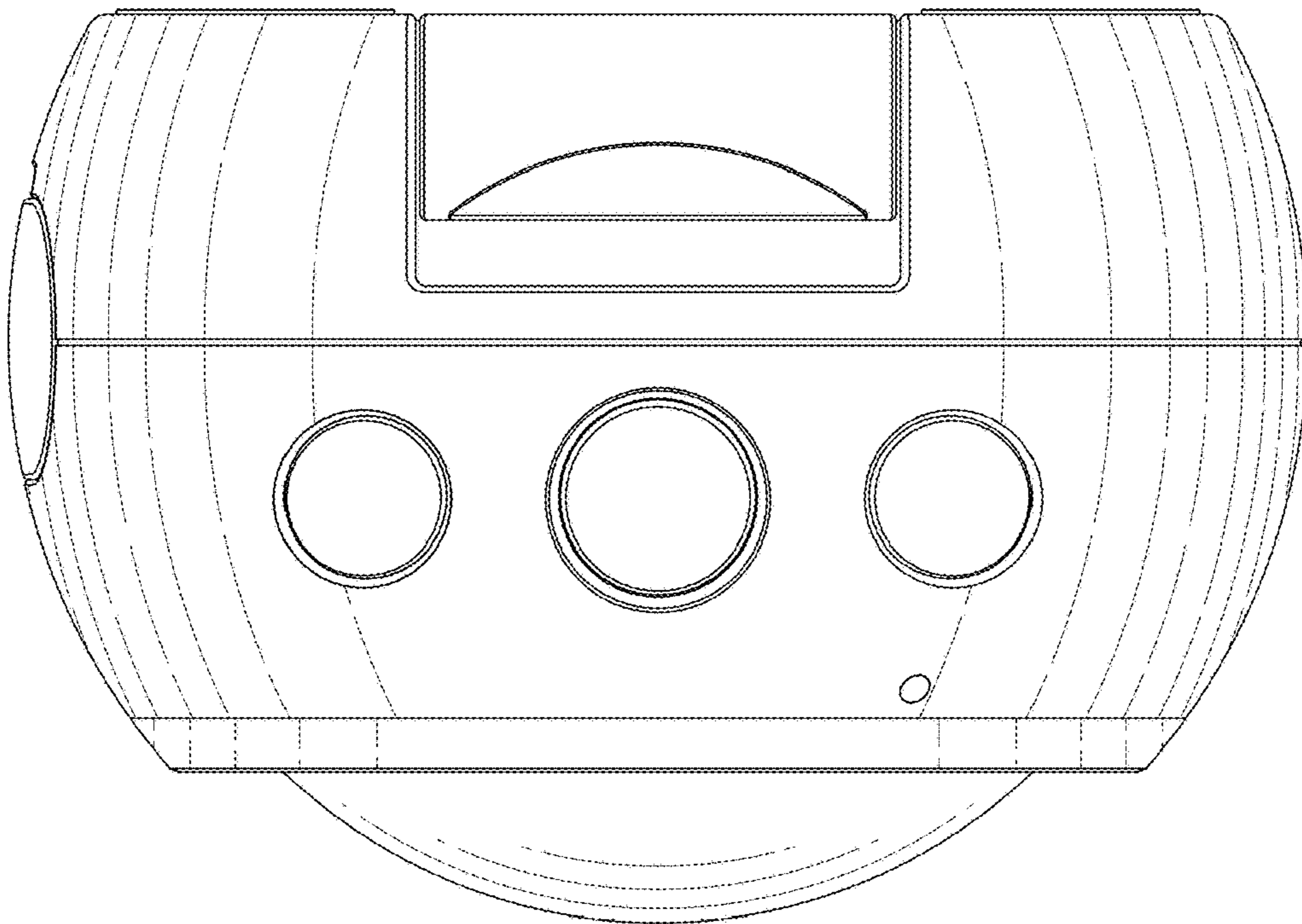


FIG. 6

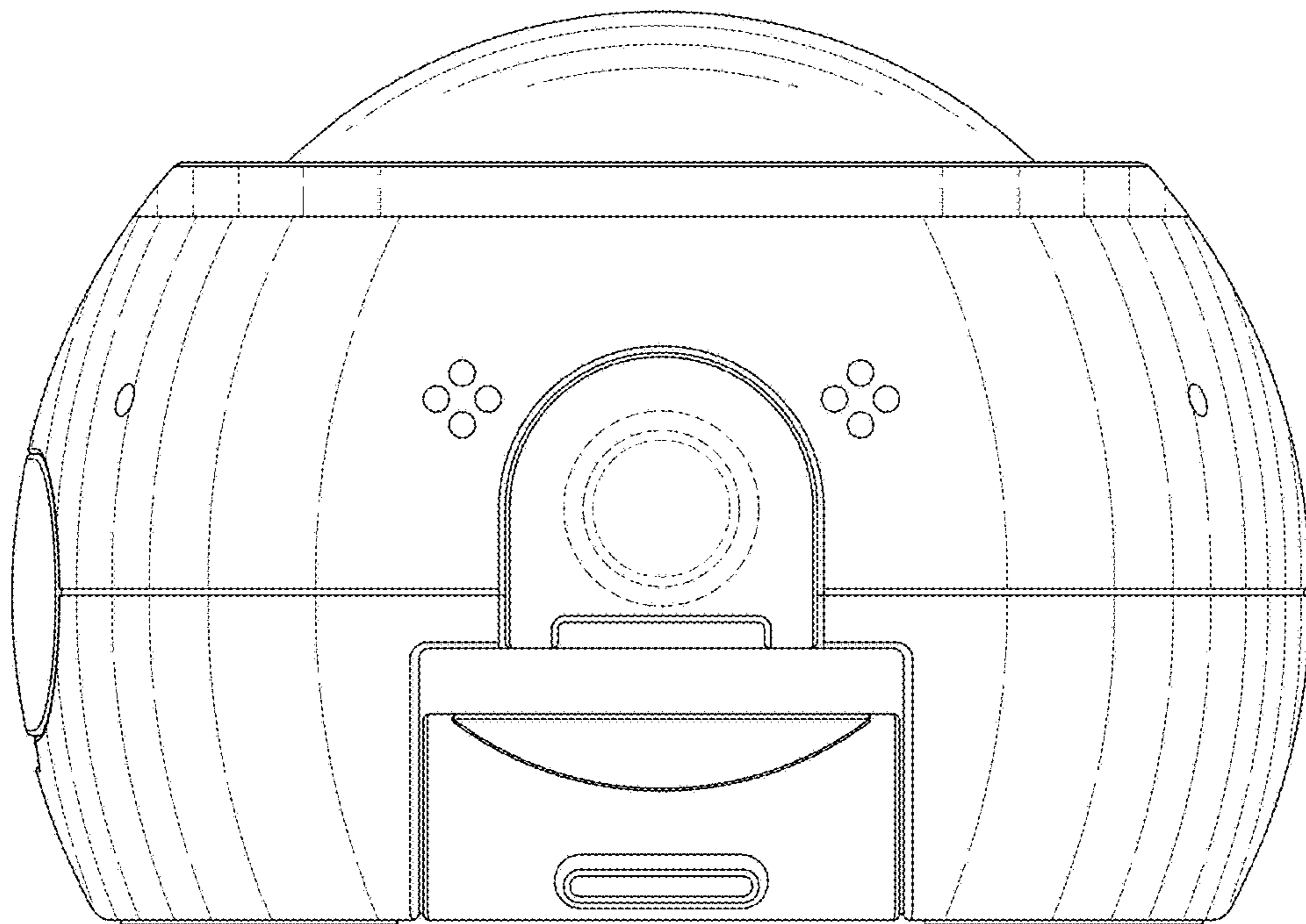


FIG. 7

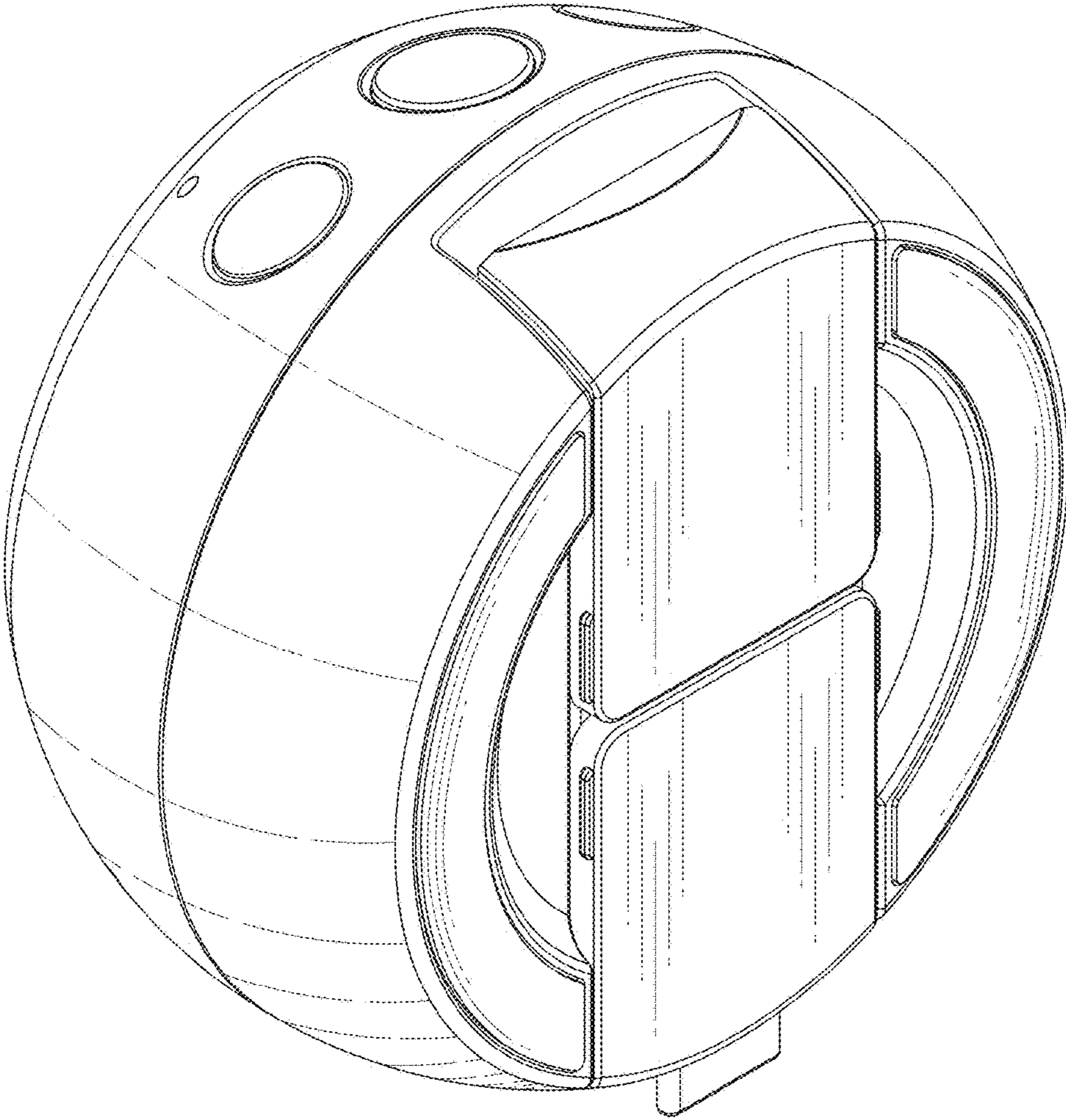


FIG. 8