



US00D838304S

(12) **United States Design Patent**  
**Mittleman et al.**

(10) **Patent No.:** **US D838,304 S**  
(45) **Date of Patent:** **\*\* Jan. 15, 2019**

(54) **CASING WITH MOUNT**

(71) Applicant: **GOOGLE LLC**, Mountain View, CA (US)

(72) Inventors: **Adam Duckworth Mittleman**, Redwood City, CA (US); **Jason Evans Goulden**, Los Gatos, CA (US); **Nicholas Webb**, Menlo Park, CA (US); **Gregory Daniel Louis Germe**, Oakland, CA (US); **William Raeming Dong**, Palo Alto, CA (US); **Rochus Jacob**, San Francisco, CA (US); **Poll Shih**, New Taipei (TW)

(73) Assignee: **GOOGLE LLC**, Mountain View, CA (US)

(\*\*) Term: **15 Years**

(21) Appl. No.: **29/570,409**

(22) Filed: **Jul. 7, 2016**

(51) **LOC (11) Cl.** ..... **16-01**

(52) **U.S. Cl.**  
USPC ..... **D16/203**

(58) **Field of Classification Search**  
USPC ..... D16/200–220, 239, 242, 243, 244, 245; D3/267, 265; D26/140, 26, 138, 142, 60, D26/61, 62, 63, 106, 107, 128, 131; D12/187; D14/204, 195, 181, 183, 215, D14/209, 210, 224  
CPC .. A61B 5/00; A61B 17/34; B60R 1/00; B60R 11/04; B64D 47/08; F16M 11/12; G03B 5/00; G03B 7/26; G03B 11/04; G03B 15/00; G03B 17/56; G03B 17/00; G03B 17/55; G03B 17/02; G08B 15/00; G11B 5/60; G06K 9/00; H04N 5/232; H04N 5/225; H04N 7/18; H04N 7/173; H04N 13/02

See application file for complete search history.

3,906,592 A	9/1975	Sakasegawa et al.	
4,309,096 A	1/1982	Sethi	
D268,672 S	4/1983	McPherson	
4,439,643 A	3/1984	Schweizer	
D296,013 S *	5/1988	Layne .....	D26/61
5,039,366 A	8/1991	Strattman	
D349,714 S *	8/1994	Hasegawa .....	D16/203
D353,904 S	12/1994	Swanson	
5,439,387 A	8/1995	Hayashi	
5,441,224 A	8/1995	Ludwig	
5,482,234 A	1/1996	Lyon	
D390,482 S	2/1998	Pasquarette	
D399,584 S *	10/1998	Giese .....	D26/63
6,007,136 A	12/1999	Zittwitz et al.	
D427,696 S *	7/2000	Scott .....	D26/24
D431,307 S *	9/2000	Zelina, Jr. ....	D26/24
D433,994 S	11/2000	Jobs et al.	
6,176,142 B1	1/2001	Ericson	
6,196,915 B1	3/2001	Schiedegger et al.	
D440,330 S *	4/2001	Scott .....	D26/28
6,234,277 B1	5/2001	Kaczmarek	
6,644,617 B2	11/2003	Pitlor	
6,732,983 B1	5/2004	Blake et al.	
D506,565 S	6/2005	Yurich	
D509,842 S *	9/2005	Ou .....	D16/202
D528,576 S *	9/2006	Chung .....	D16/202
7,162,790 B1	1/2007	Daniels	
D537,784 S	3/2007	Suckle et al.	
D553,659 S	10/2007	Kweon	
D554,171 S *	10/2007	Deng .....	D16/203
D593,071 S	5/2009	Laituri et al.	
7,551,225 B2	6/2009	Overstreet	
7,641,161 B2	1/2010	Bauer	
D623,594 S	9/2010	Akana et al.	
D640,721 S *	6/2011	Satine .....	D16/202
D644,259 S *	8/2011	Barley .....	D16/203
D659,282 S *	5/2012	Richmond .....	D26/138
D659,497 S	5/2012	Blazevic	
D662,122 S *	6/2012	Goodwin .....	D16/208
D670,426 S *	11/2012	Bouroullec .....	D26/118
D691,587 S	10/2013	Ferber et al.	
D697,481 S	1/2014	Akana et al.	
D700,075 S	2/2014	Bould et al.	
D708,378 S *	7/2014	Recker .....	D26/61
D720,755 S	1/2015	Nokuo	
1,729,773 A1	5/2015	Salojarvi et al.	
9,024,581 B2	5/2015	McGinley	
D737,762 S	9/2015	Aumiller et al.	
D742,573 S *	11/2015	Kern .....	D26/107
D742,884 S	11/2015	Seflic et al.	
D743,468 S *	11/2015	Ribeiro .....	D16/214
D743,954 S	11/2015	Chuang et al.	
9,190,767 B2	11/2015	Makimura	

(56) **References Cited**

**U.S. PATENT DOCUMENTS**

1,934,911 A 11/1933 Campbell  
D234,218 S \* 1/1975 Donato ..... D26/65

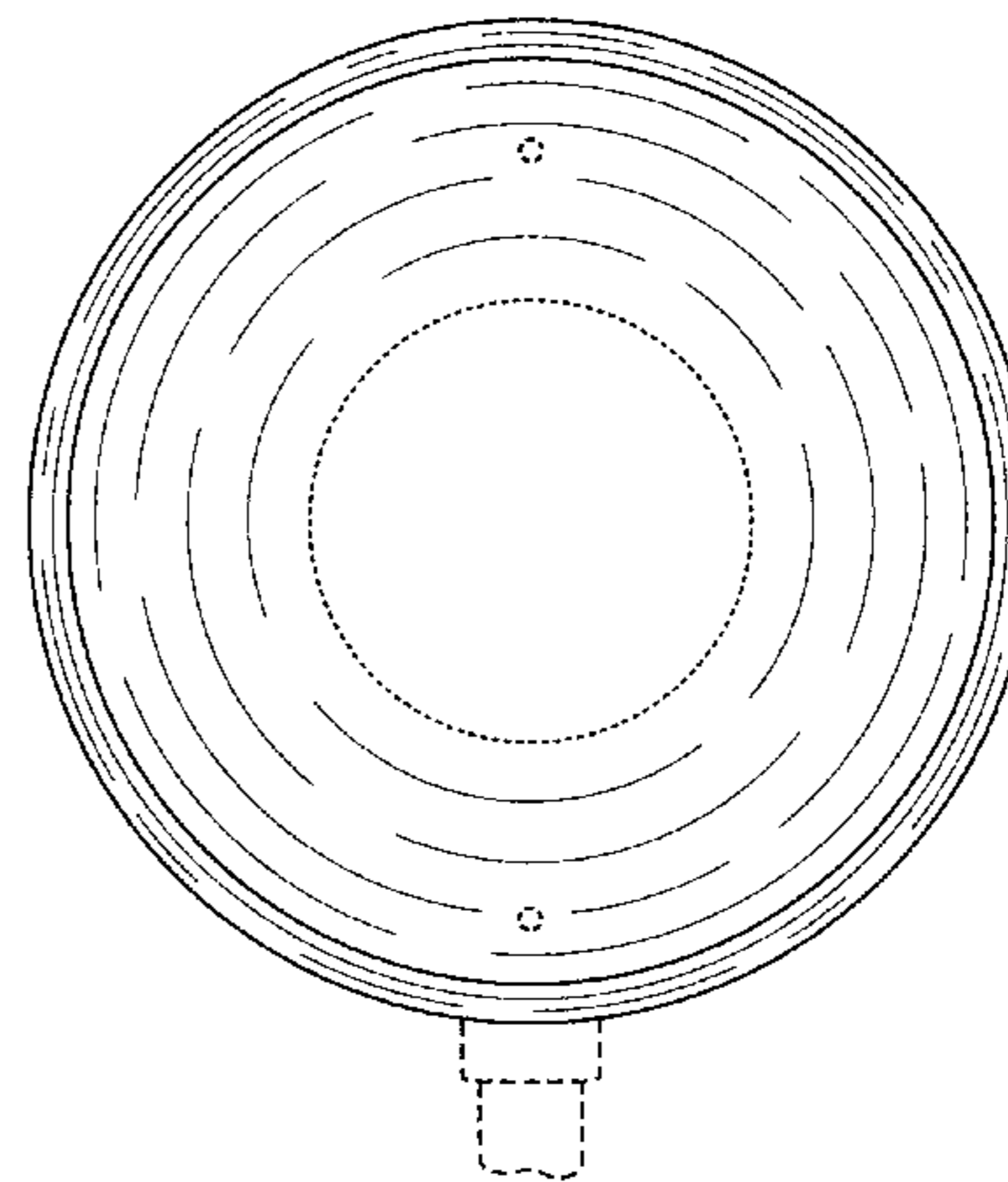
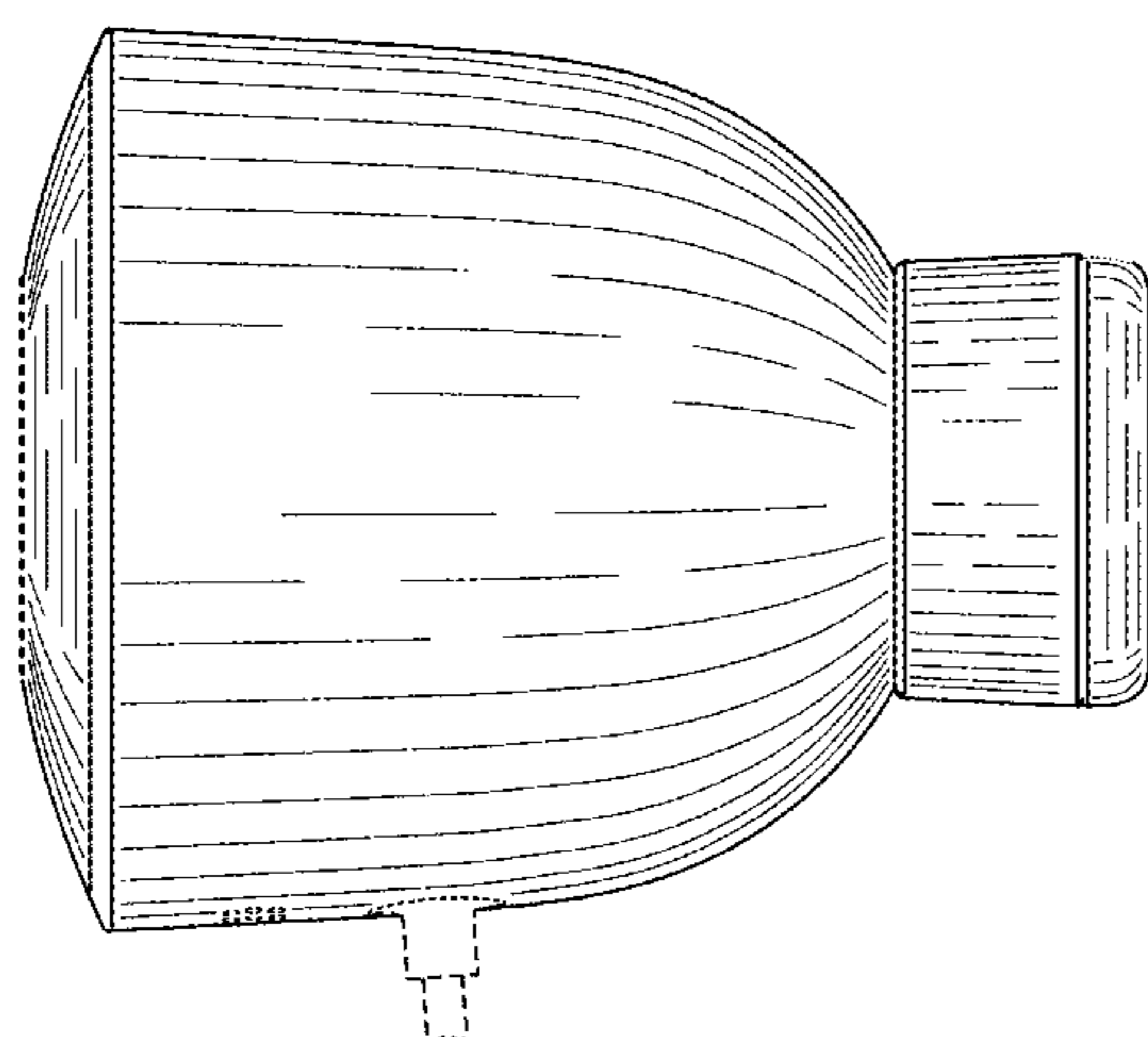




FIG. 4 is a front view thereof;  
FIG. 5 is a back view thereof;  
FIG. 6 is a top view thereof; and,  
FIG. 7 is a bottom view thereof.

The broken lines showing a cord depict environment and form no part of the claimed design. The remaining broken lines shown in the drawings depict portions of the casing that form no part of the claimed design.

**1 Claim, 7 Drawing Sheets**

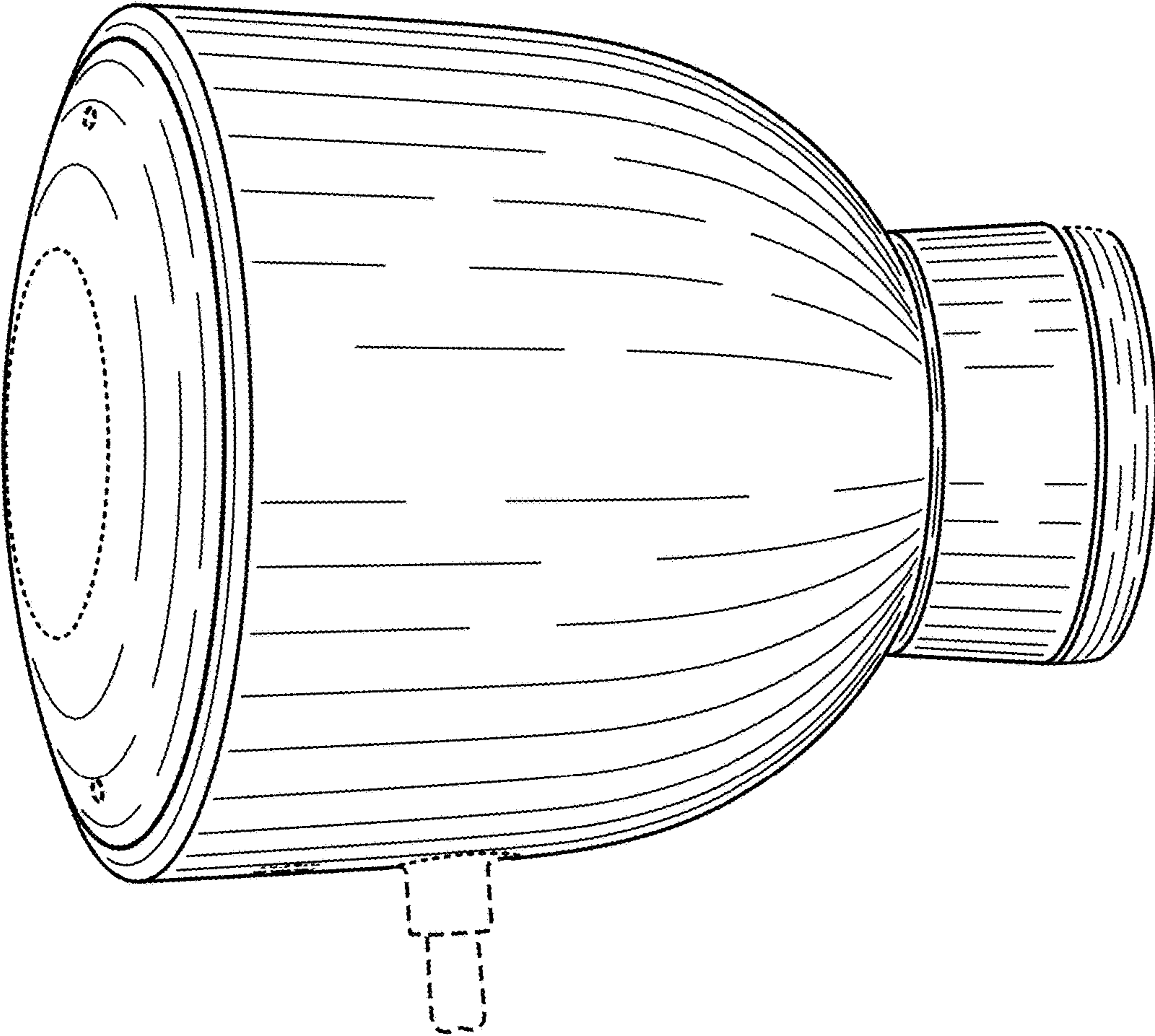


FIG. 1

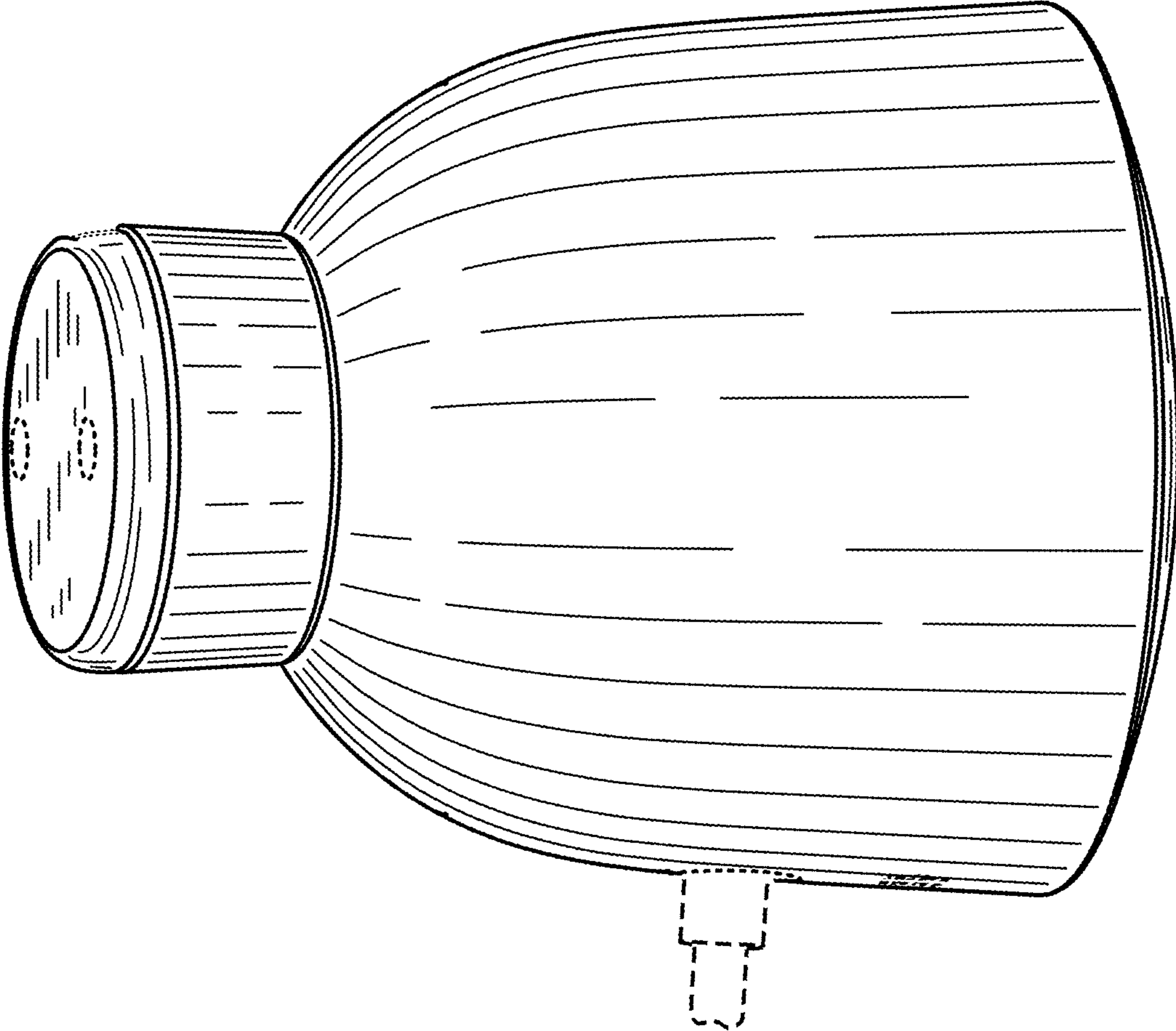


FIG. 2

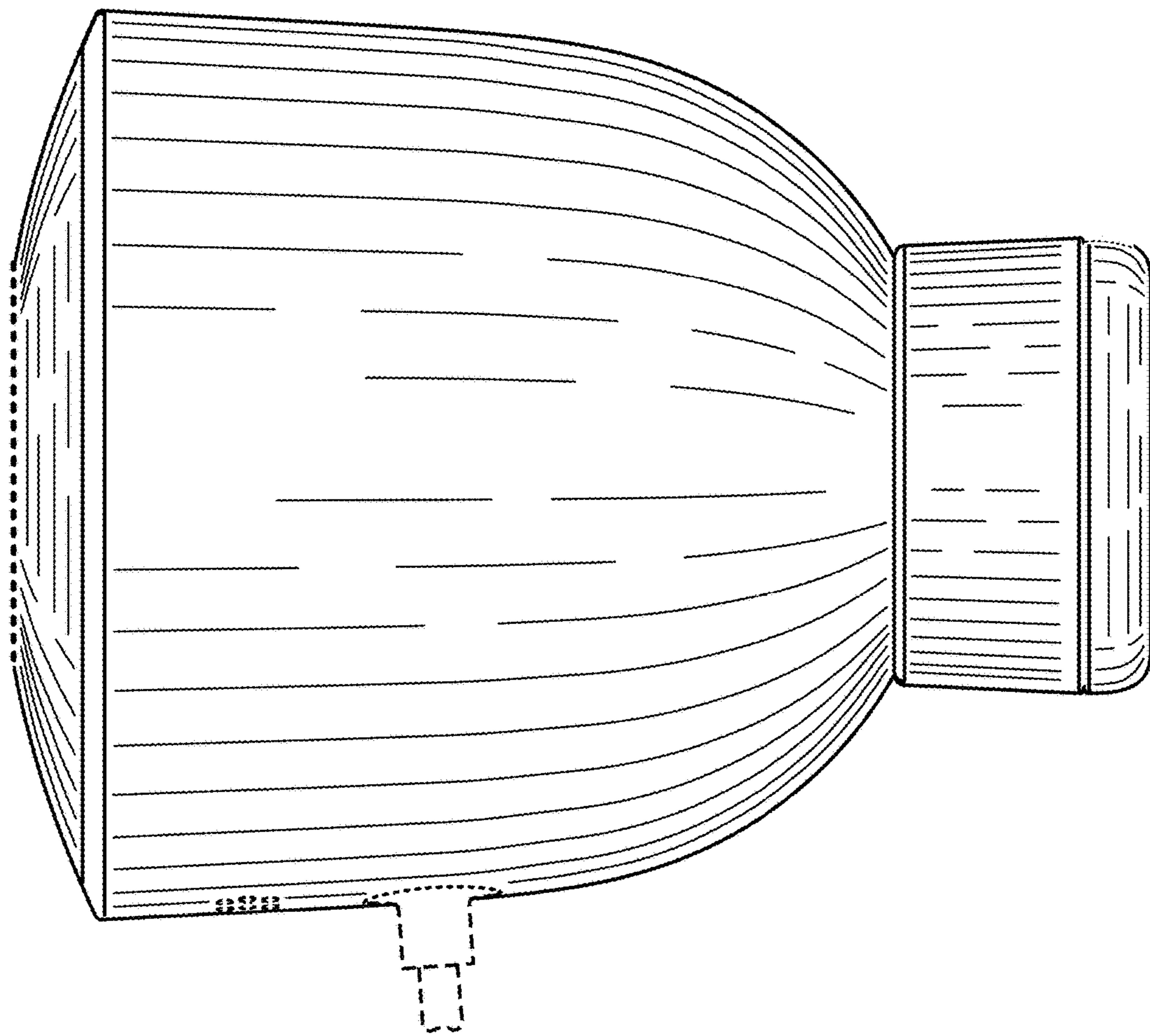


FIG. 3

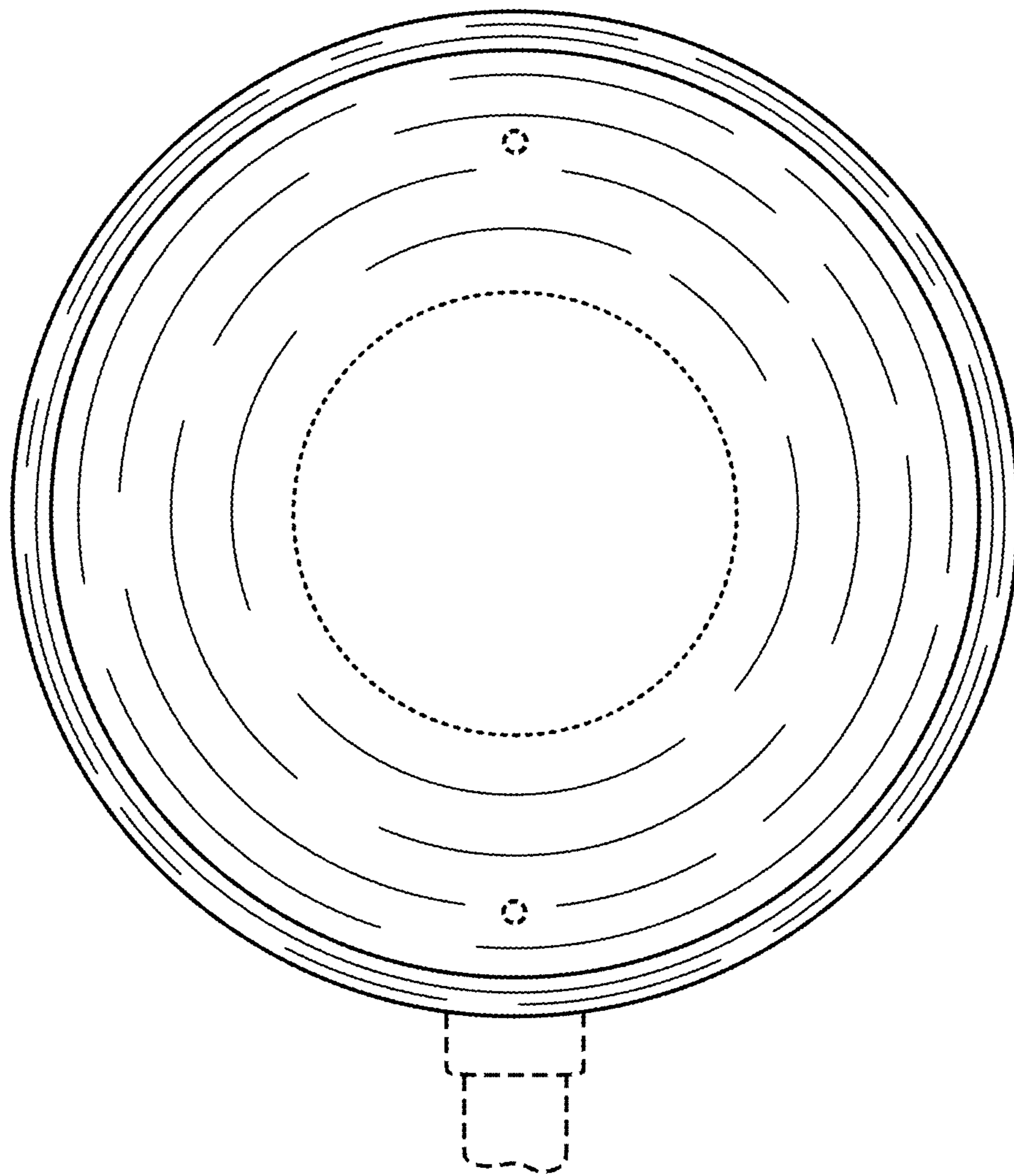


FIG. 4

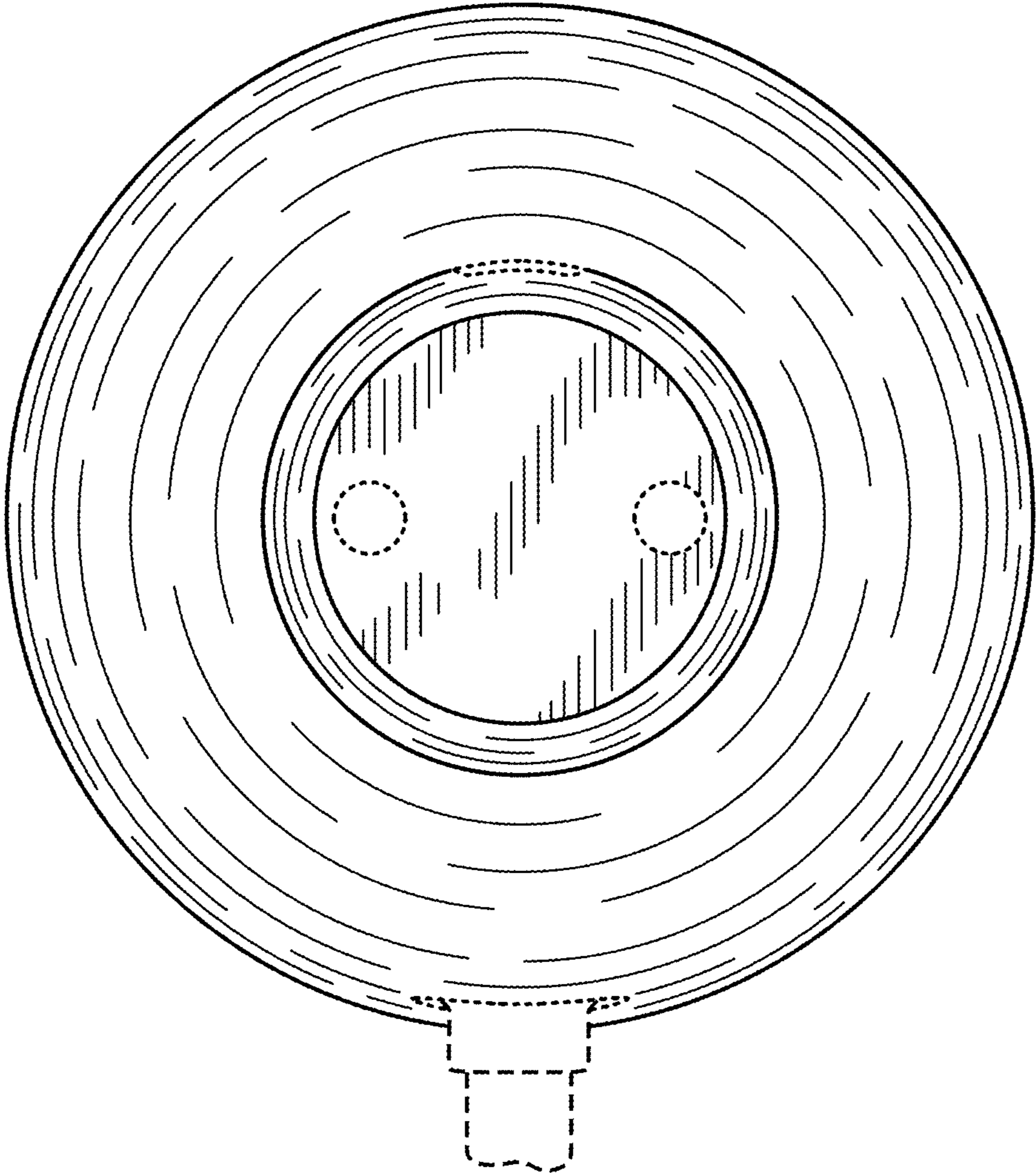


FIG. 5



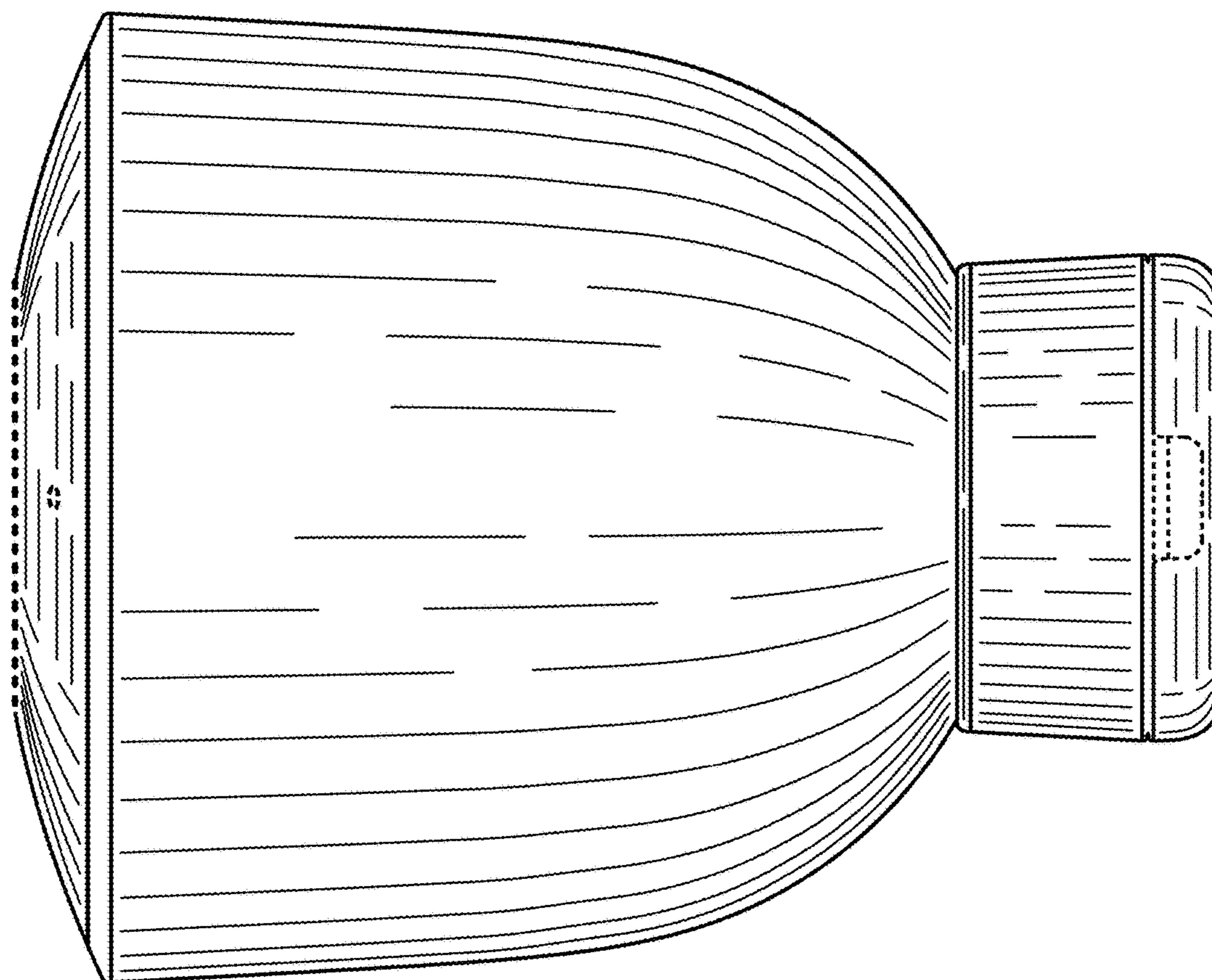


FIG. 6

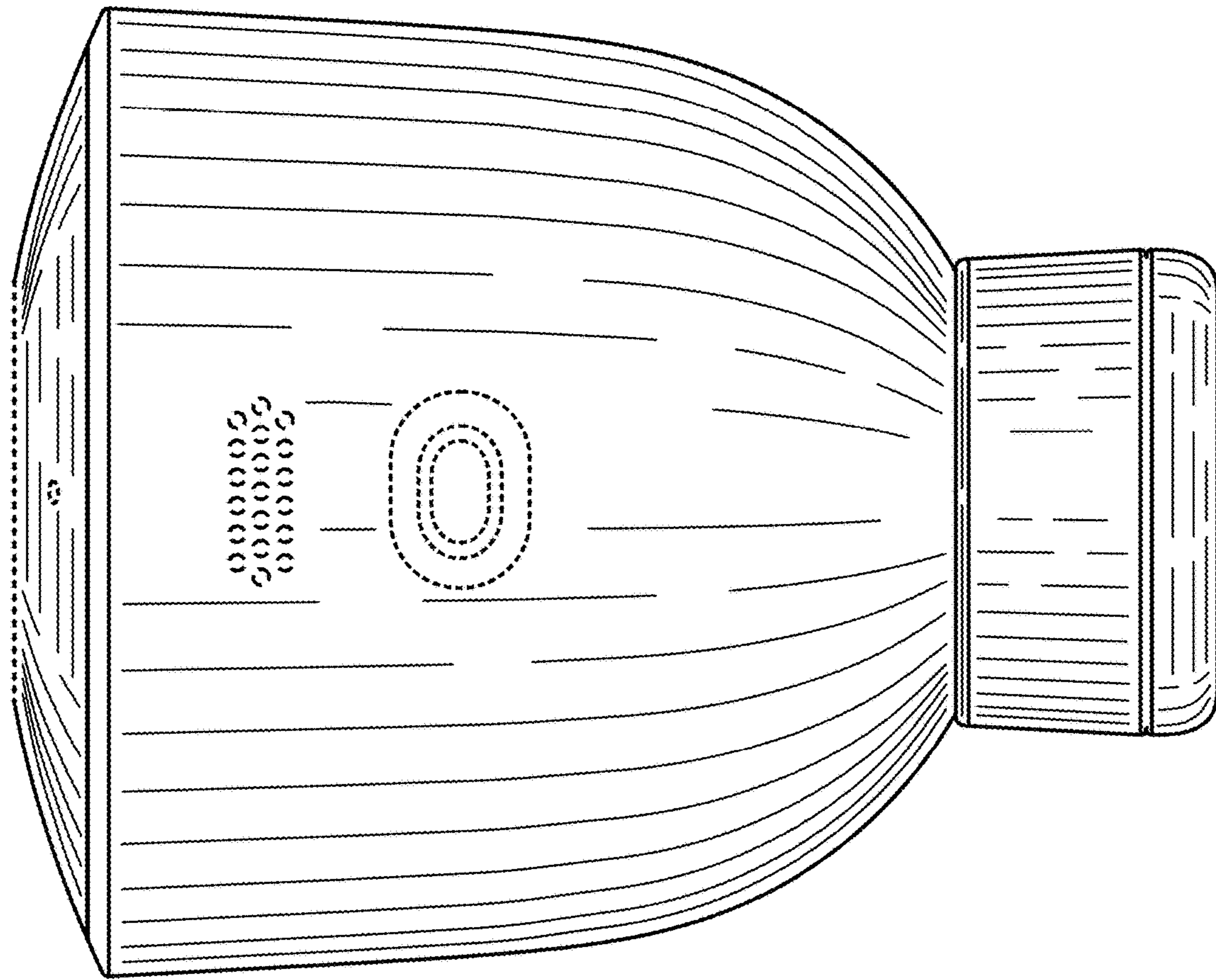


FIG. 7