



US00D838302S

(12) **United States Design Patent**
Kijima et al.

(10) **Patent No.:** **US D838,302 S**
(45) **Date of Patent:** **** Jan. 15, 2019**

(54) **VIBRATION ELEMENT FOR A HAPTIC ACTUATOR**

(71) Applicant: **TDK CORPORATION**, Tokyo (JP)

(72) Inventors: **Kaoru Kijima**, Tokyo (JP); **Tatsuya Taki**, Tokyo (JP)

(73) Assignee: **TDK CORPORATION**, Tokyo (JP)

(**) Term: **15 Years**

(21) Appl. No.: **29/613,685**

(22) Filed: **Aug. 11, 2017**

(30) **Foreign Application Priority Data**

Feb. 13, 2017 (JP) 2017-002691

(51) **LOC (11) Cl.** **15-04**

(52) **U.S. Cl.**
USPC **D15/147**

(58) **Field of Classification Search**
USPC D10/75, 85; D15/147; D13/21, 121,
D13/122, 171-175, 199
CPC H03H 9/0595; H03H 9/131; H03H 9/178;
H03H 9/205
See application file for complete search history.

(56) **References Cited**

U.S. PATENT DOCUMENTS

D250,185 S * 11/1978 Kubrin D13/121
D250,186 S * 11/1978 Pohto D13/121
5,917,398 A * 6/1999 Kunz H01H 11/04
324/419
D814,432 S * 4/2018 Yeng D13/182

(Continued)

FOREIGN PATENT DOCUMENTS

JP 2018-167580 * 3/2018
KR 2017-189057 * 3/2017
TW 2016-75669 G * 12/2016

OTHER PUBLICATIONS

PiezoHapt Actuators, posted on product.tdk.com, no posted date given, no production date given, [online], [site visited Jun. 20, 2018], Available from Internet, URL: https://product.tdk.com/info/en/products/sw_piezo/haptic/piezohapt/index.html (Year: 2018).*

(Continued)

Primary Examiner — Melanie H Tung
Assistant Examiner — Fitzgerald L Butac
(74) *Attorney, Agent, or Firm* — Oliff PLC

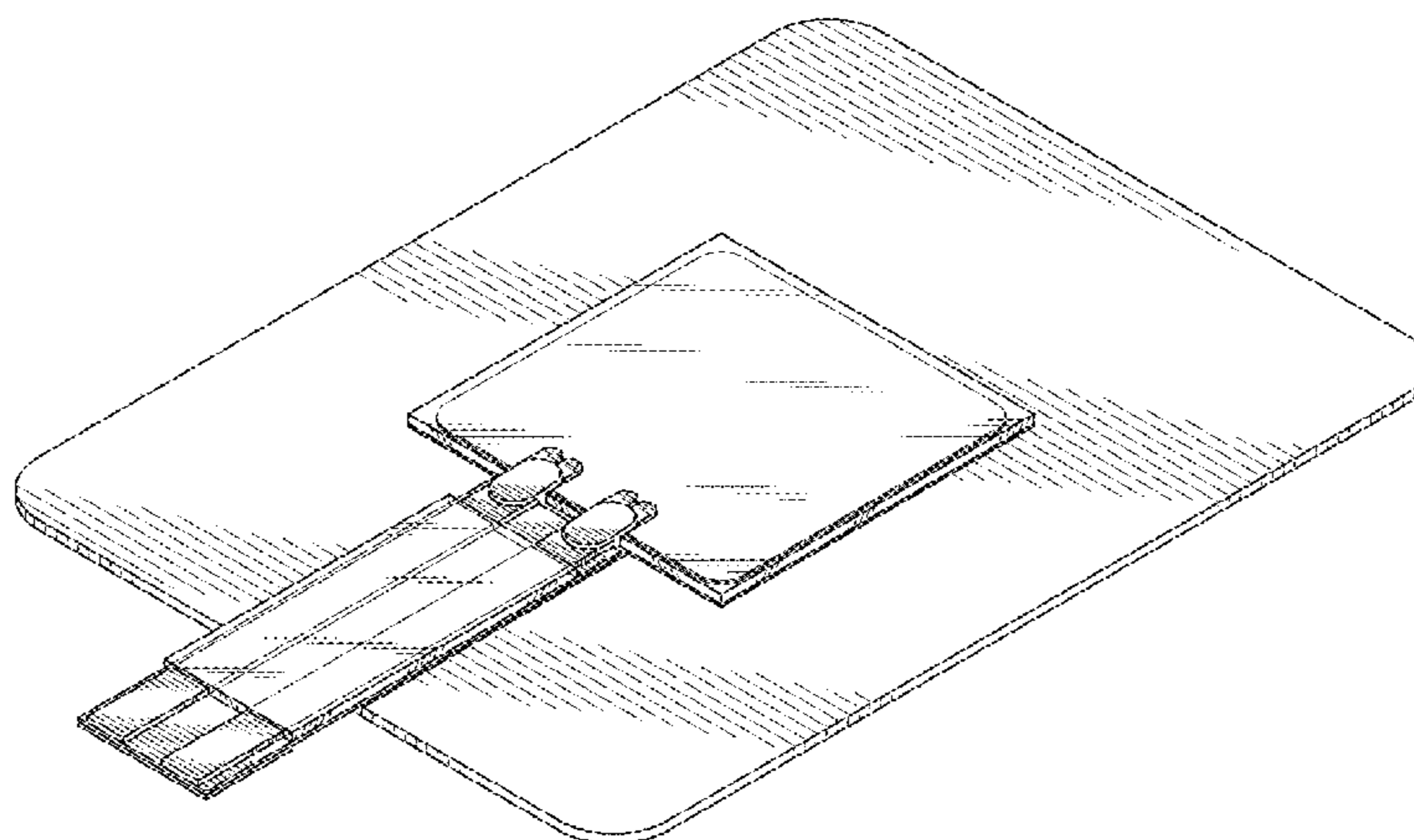
(57) **CLAIM**

The ornamental design for a vibration element for a haptic actuator, as shown and described.

DESCRIPTION

FIG. 1 is a front view of a vibration element for a haptic actuator of the present invention.
FIG. 2 is a rear view thereof.
FIG. 3 is a top plan view thereof.
FIG. 4 is a bottom view thereof.
FIG. 5 is a right side view thereof.
FIG. 6 is a left side view thereof.
FIG. 7 is an enlarged sectional view of the vibration element for a haptic actuator taken along section line 7-7 of FIG. 1.
FIG. 8 is an enlarged sectional view of the vibration element for a haptic actuator taken along section line 8-8 of FIG. 1.
FIG. 9 is an enlarged view of the portion indicated by arrows 9-9 of the vibration element for a haptic actuator of FIG. 4.
FIG. 10 is an enlarged view of the portion indicated by arrows 10-10 of the vibration element for a haptic actuator of FIG. 6; and,
FIG. 11 is a perspective view thereof.

1 Claim, 11 Drawing Sheets



(56)

References Cited

U.S. PATENT DOCUMENTS

2018/0062616 A1* 3/2018 Kijima H03H 9/0595
2018/0120938 A1* 5/2018 Frescas G06F 3/016

OTHER PUBLICATIONS

Piezoelectric Haptic Actuator, osted on materia.nl, posted May 28, 2014, no production date given, [online], [site visited Jun. 20, 2018], Available from Internet, URL: <https://materia.nl/material/hek-200-haptic-evaluation-kit/> (Year: 2014).*

* cited by examiner

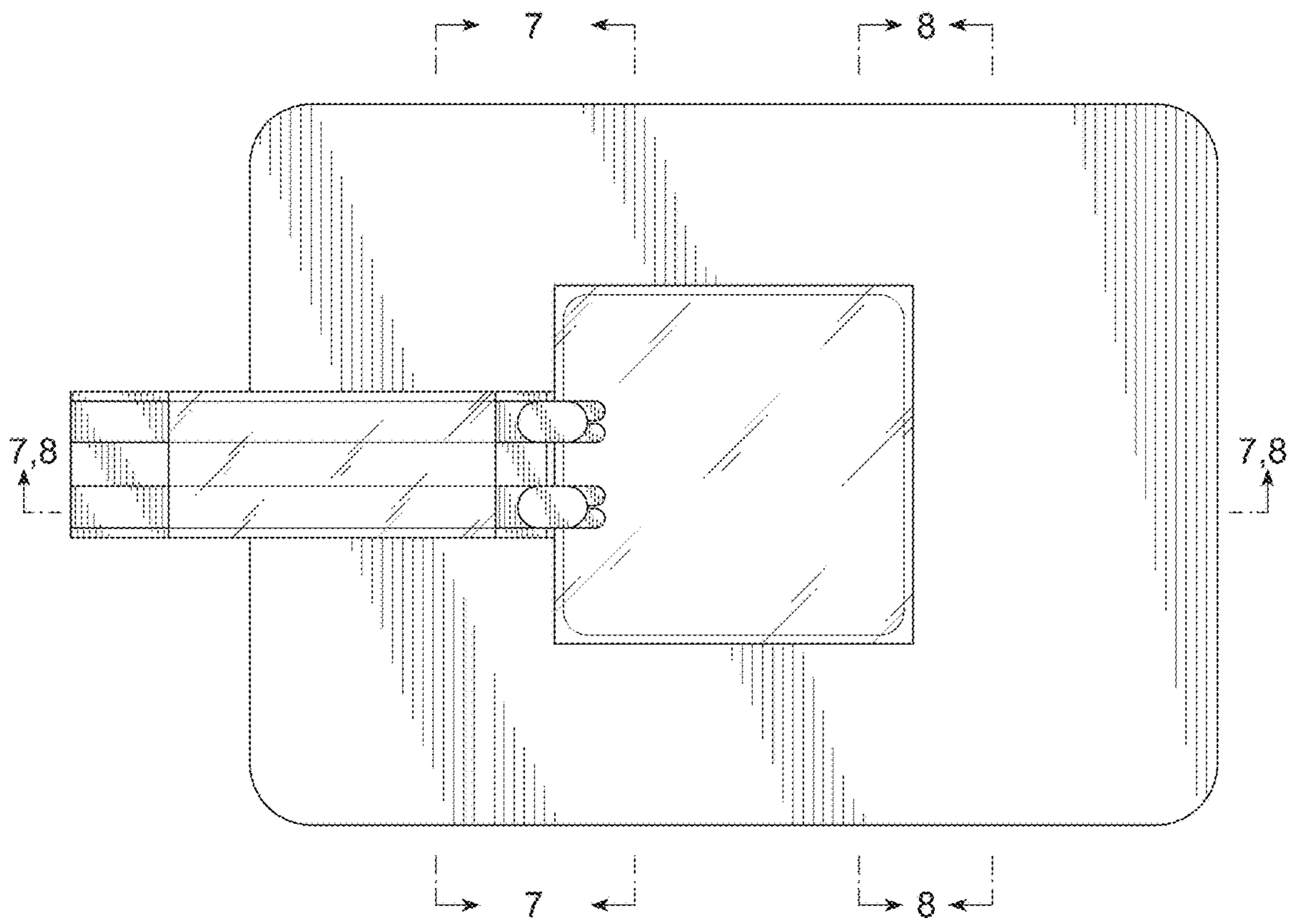


FIG. 1

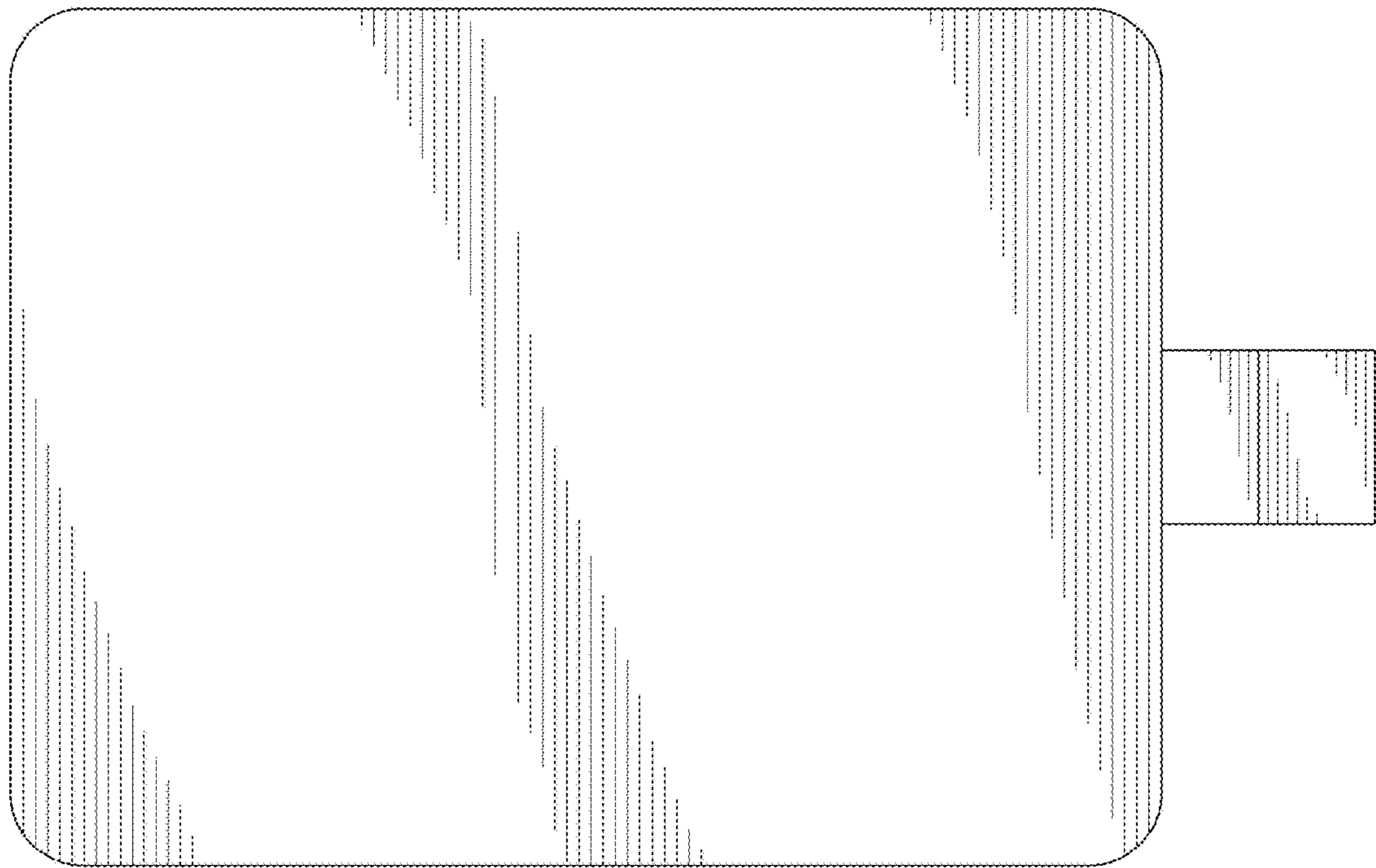


FIG. 2

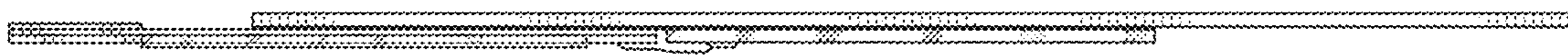


FIG. 3

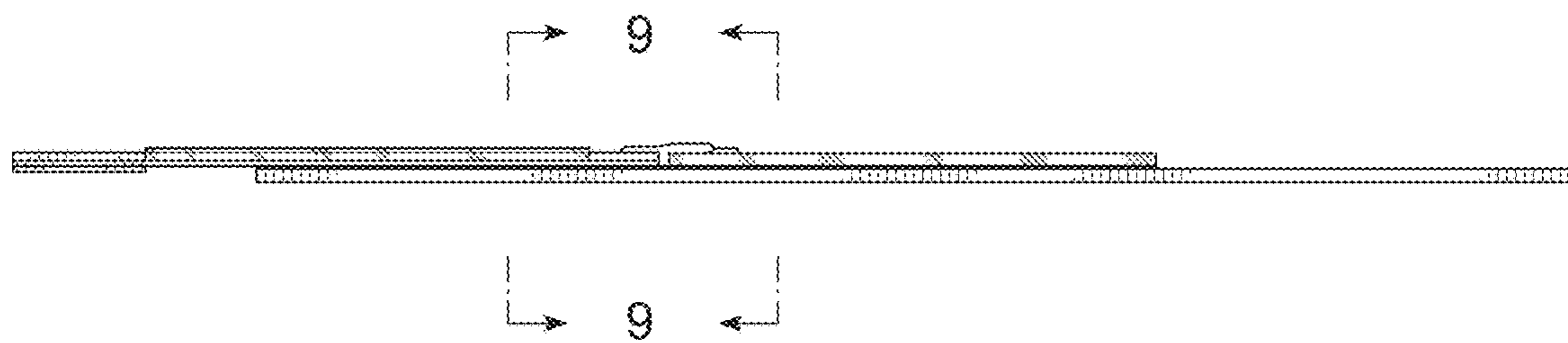


FIG. 4



FIG. 5

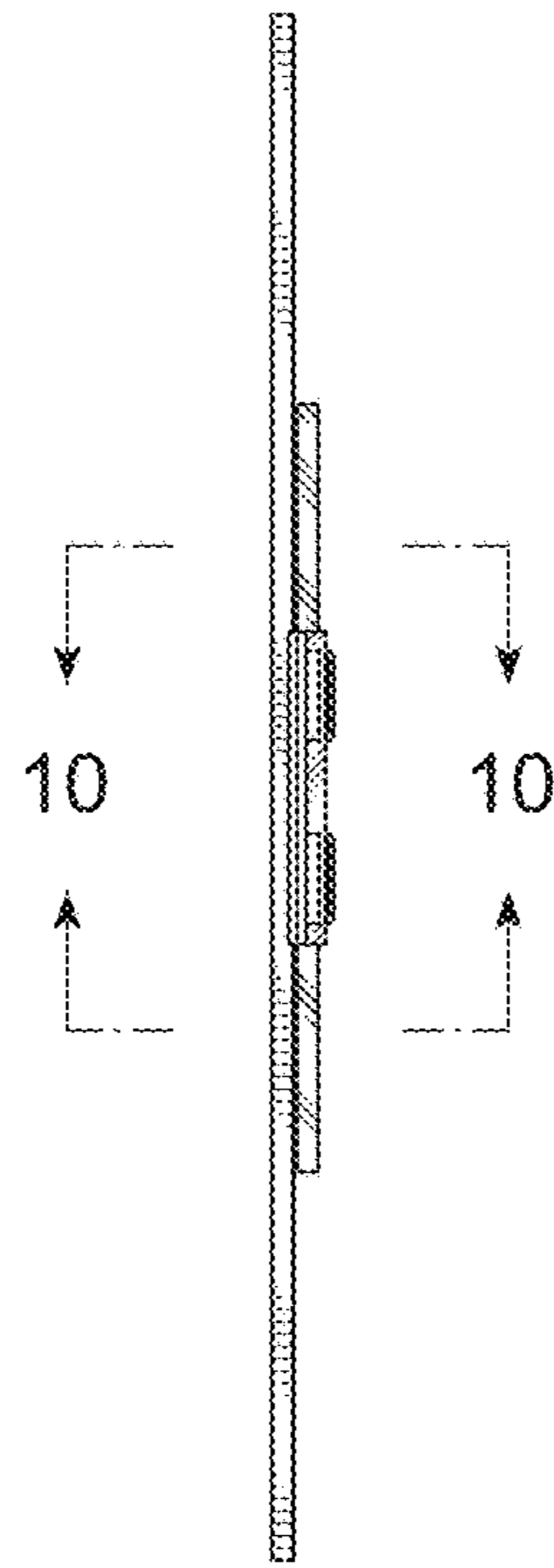


FIG. 6

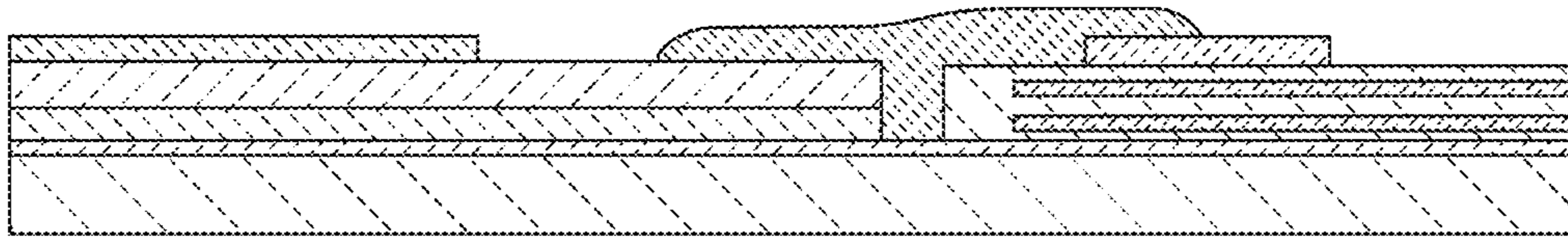


FIG. 7

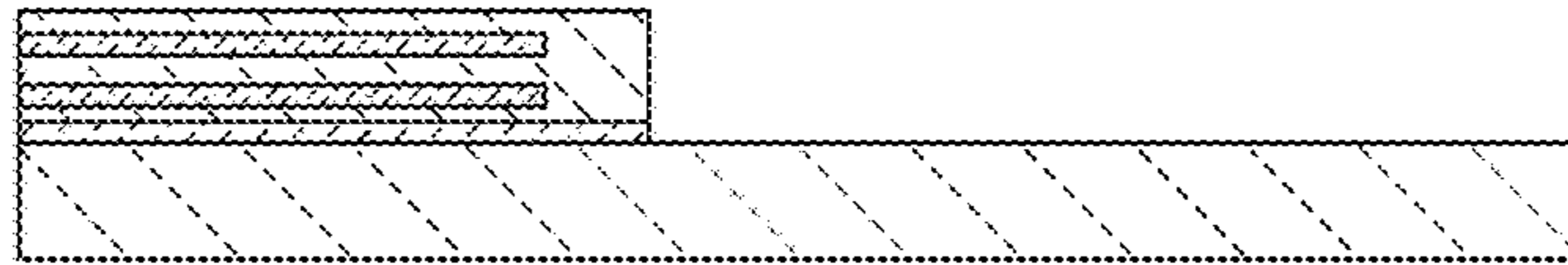


FIG. 8

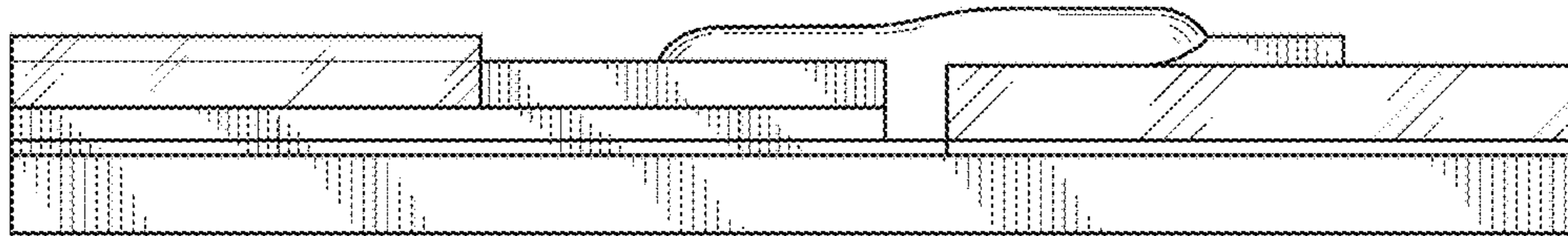


FIG. 9

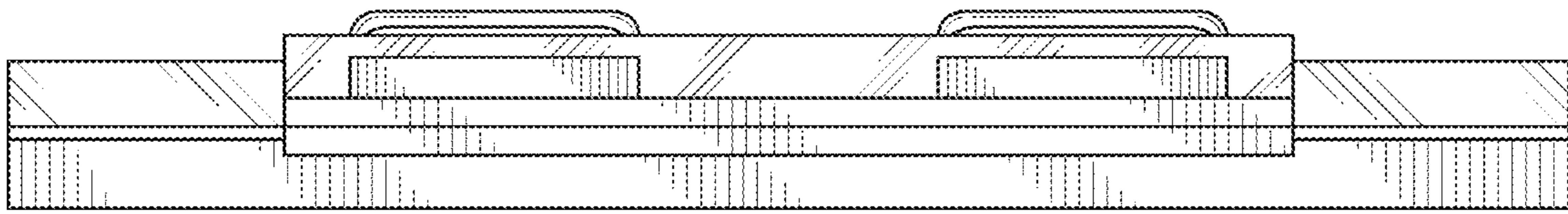


FIG. 10

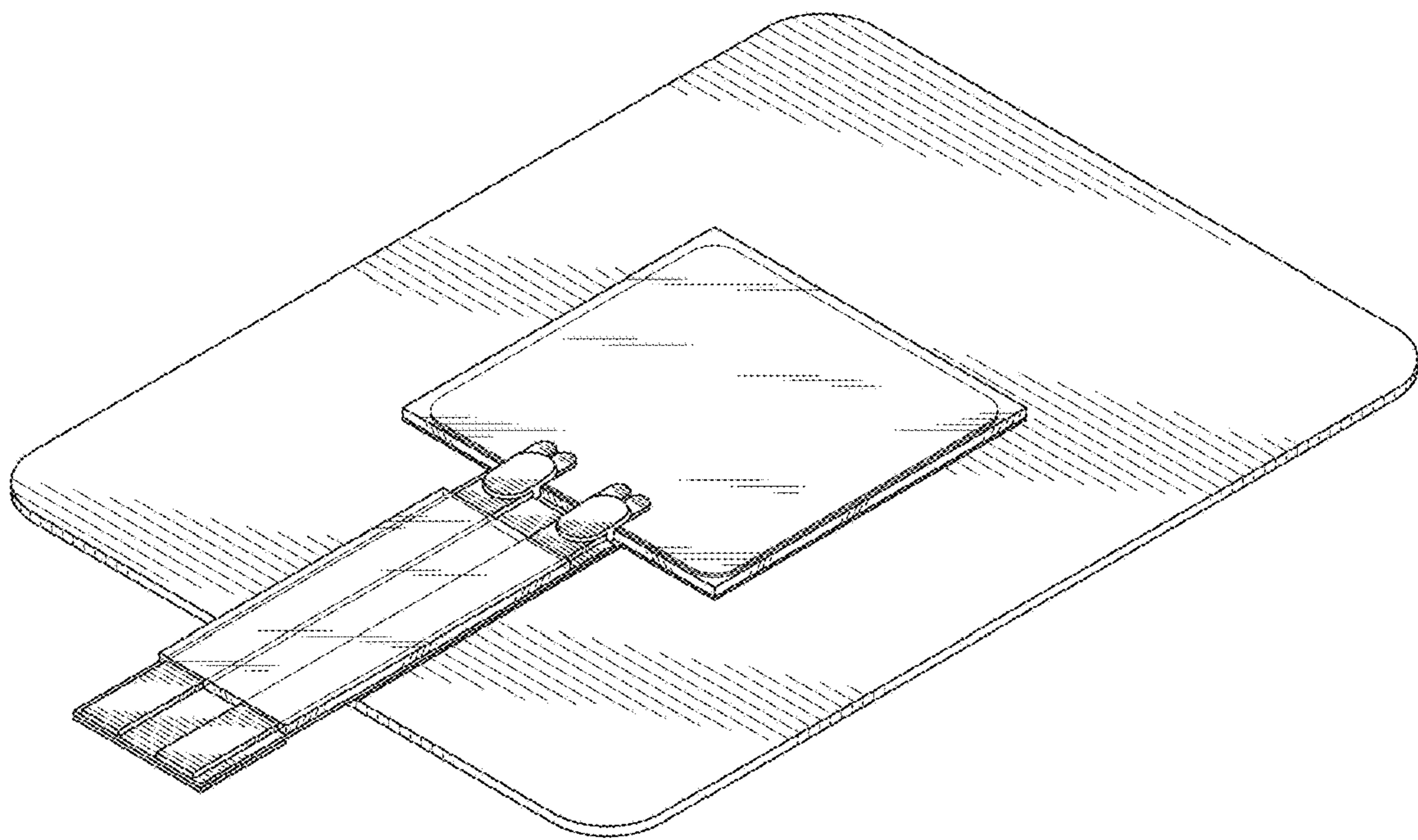


FIG. 11