



US00D838301S

(12) **United States Design Patent**
Prikler et al.

(10) **Patent No.:** **US D838,301 S**

(45) **Date of Patent:** **** Jan. 15, 2019**

(54) **HANDLE FOR A WELDING TORCH**

(71) Applicant: **Fronius International GmbH,**
Pettenbach (AT)

(72) Inventors: **Wolfgang Prikler,** Ansfelden (AT);
Christian Resch, Ruhstorf (DE);
Manfred Bruckner, Kremsmuenster
(AT); **Christian Stumpfl,** Wallern an
der Trattnach (AT)

(73) Assignee: **Fronius International GmbH,**
Pettenbach (AT)

(**) Term: **15 Years**

(21) Appl. No.: **29/598,334**

(22) Filed: **Mar. 24, 2017**

(30) **Foreign Application Priority Data**

Sep. 26, 2016 (EM) 003395219-0012

(51) **LOC (11) Cl.** **15-09**

(52) **U.S. Cl.**
USPC **D15/144**

(58) **Field of Classification Search**
USPC D8/29.1-29.2, 30; D15/144, 144.2;
D28/13
CPC B23K 9/12; B23K 9/28; B23K 9/167
See application file for complete search history.

(56) **References Cited**

U.S. PATENT DOCUMENTS

D232,554 S * 8/1974 Bebjamin D28/13
D259,234 S * 5/1981 Pfeil 392/385

D274,551 S * 7/1984 Benjamin D28/13
D297,397 S * 8/1988 Pagani D8/29.1
D297,398 S * 8/1988 Pagani D8/29.1
D388,297 S * 12/1997 Buttenbender D8/29.1
D481,277 S * 10/2003 Waldron D8/29.1
D516,883 S * 3/2006 Popov D8/29.1
D639,129 S * 6/2011 Van Wambeke D8/29.1
D641,220 S * 7/2011 Shi D8/29.1
D647,382 S * 10/2011 Flattinger D8/107
D746,653 S * 1/2016 Furling D8/29.1
D803,649 S * 11/2017 van der Rest D8/68
2017/0043425 A1 * 2/2017 Wada B23K 9/12

* cited by examiner

Primary Examiner — Patricia A Palasik

(74) *Attorney, Agent, or Firm* — Collard & Roe, P.C.

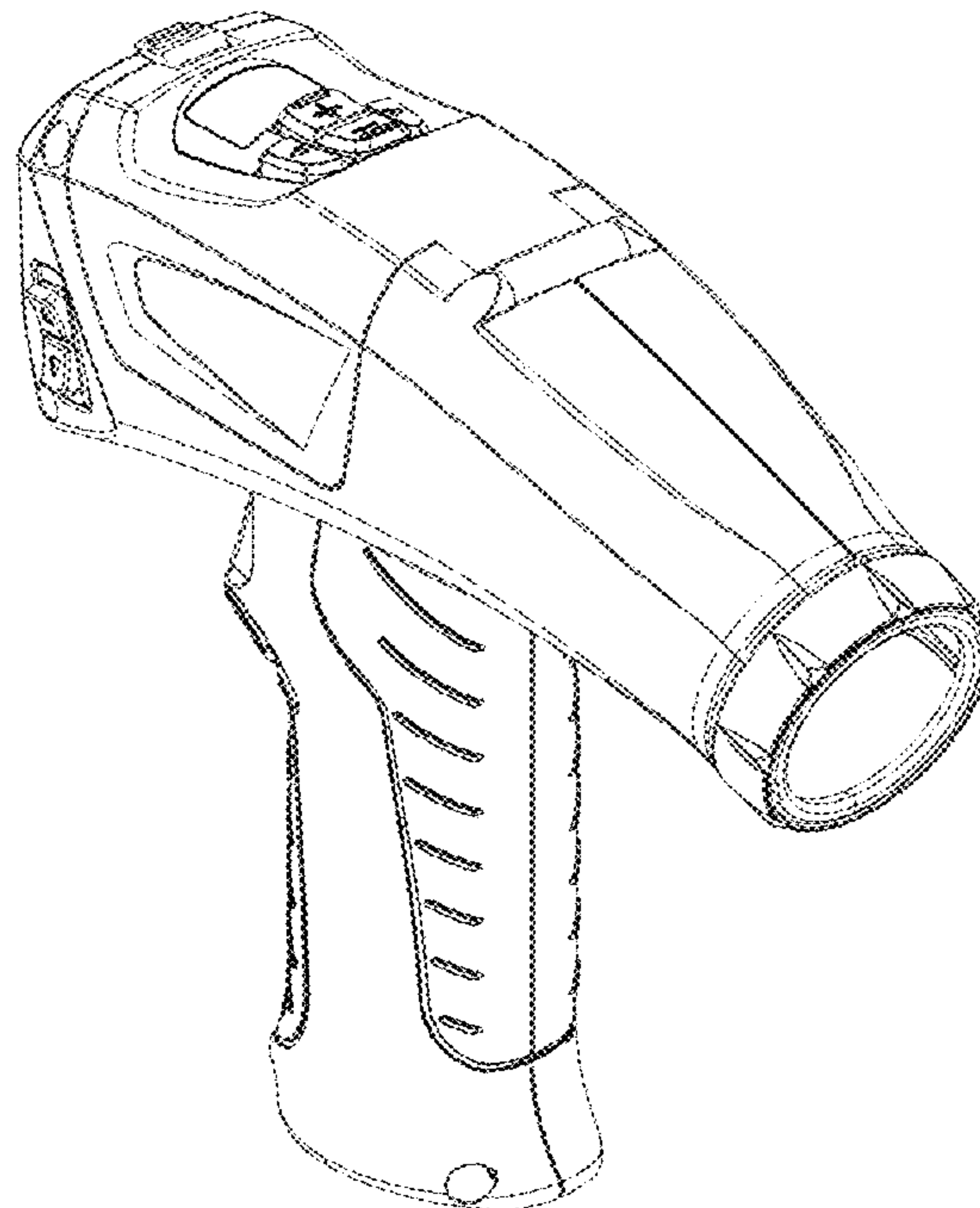
(57) **CLAIM**

The ornamental design for a handle for a welding torch, as shown and described.

DESCRIPTION

FIG. 1 is a left side, top and front perspective view of a handle for a welding torch, showing our new design; FIG. 2 is a left side view thereof; FIG. 3 is a right side view thereof; FIG. 4 is a rear view thereof; FIG. 5 is a front view thereof; FIG. 6 is a top view thereof; and, FIG. 7 is a bottom view thereof. The broken lines in the drawings depict unclaimed environmental subject matter.

1 Claim, 7 Drawing Sheets



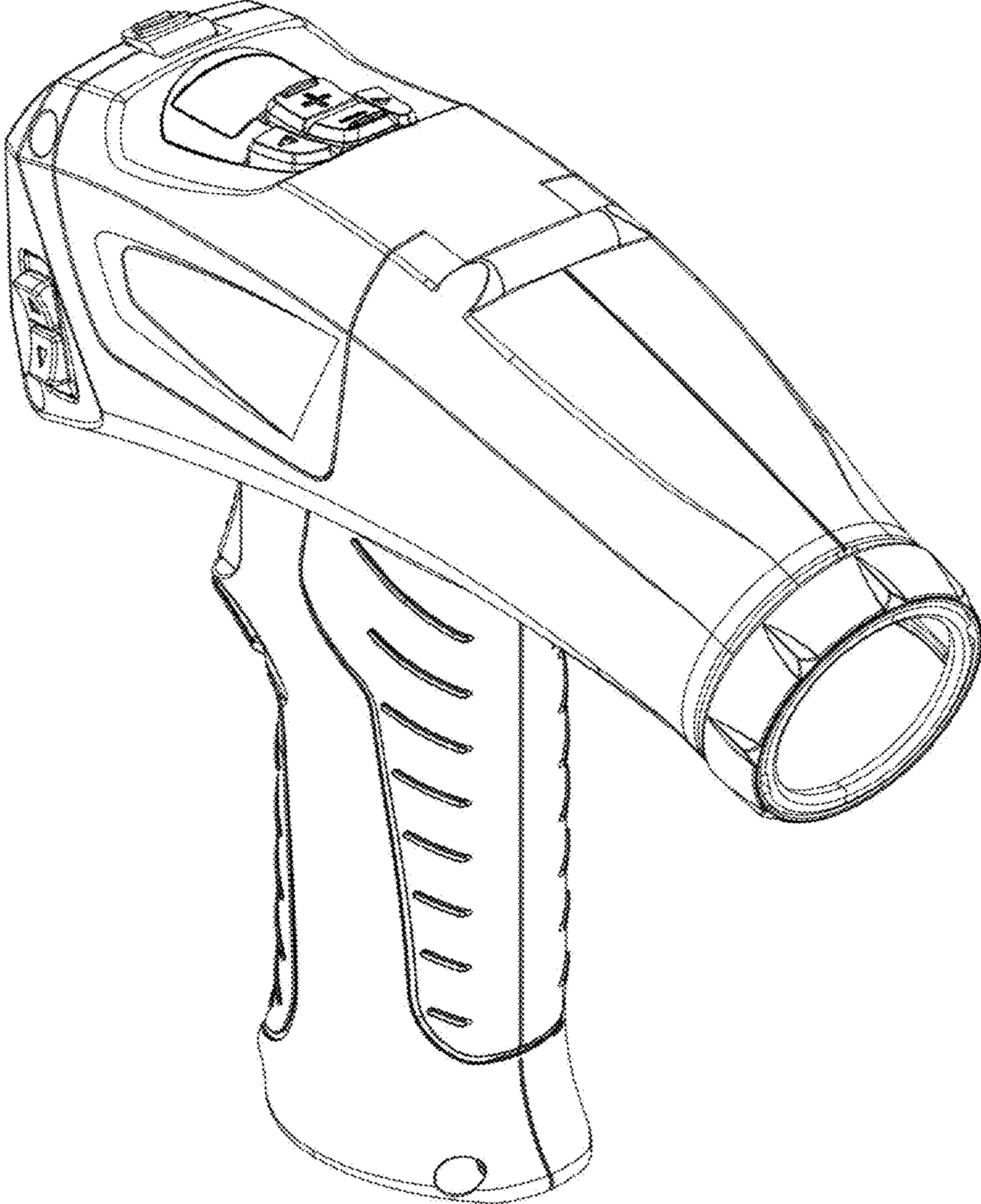


FIG. 1

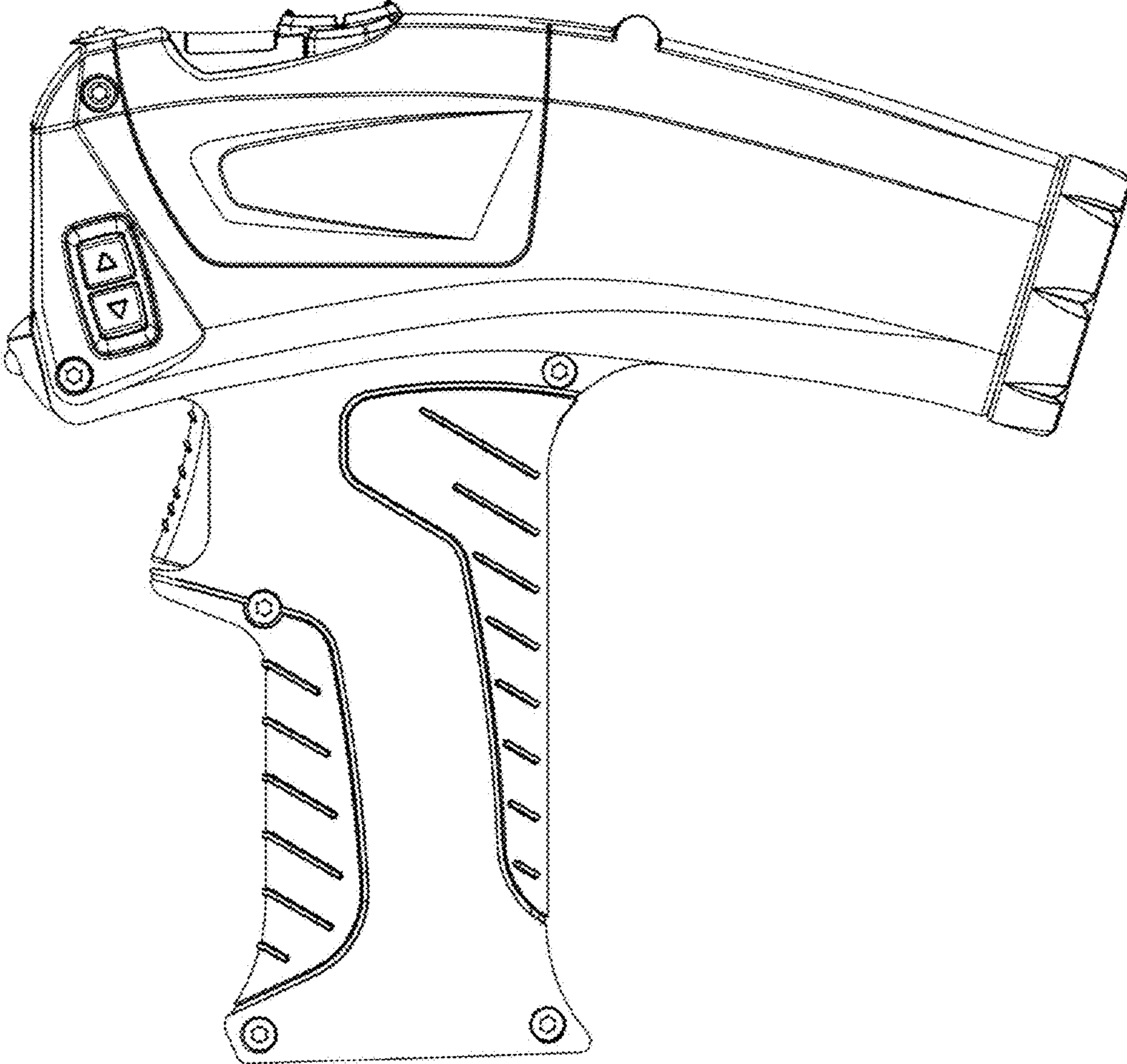


FIG. 2

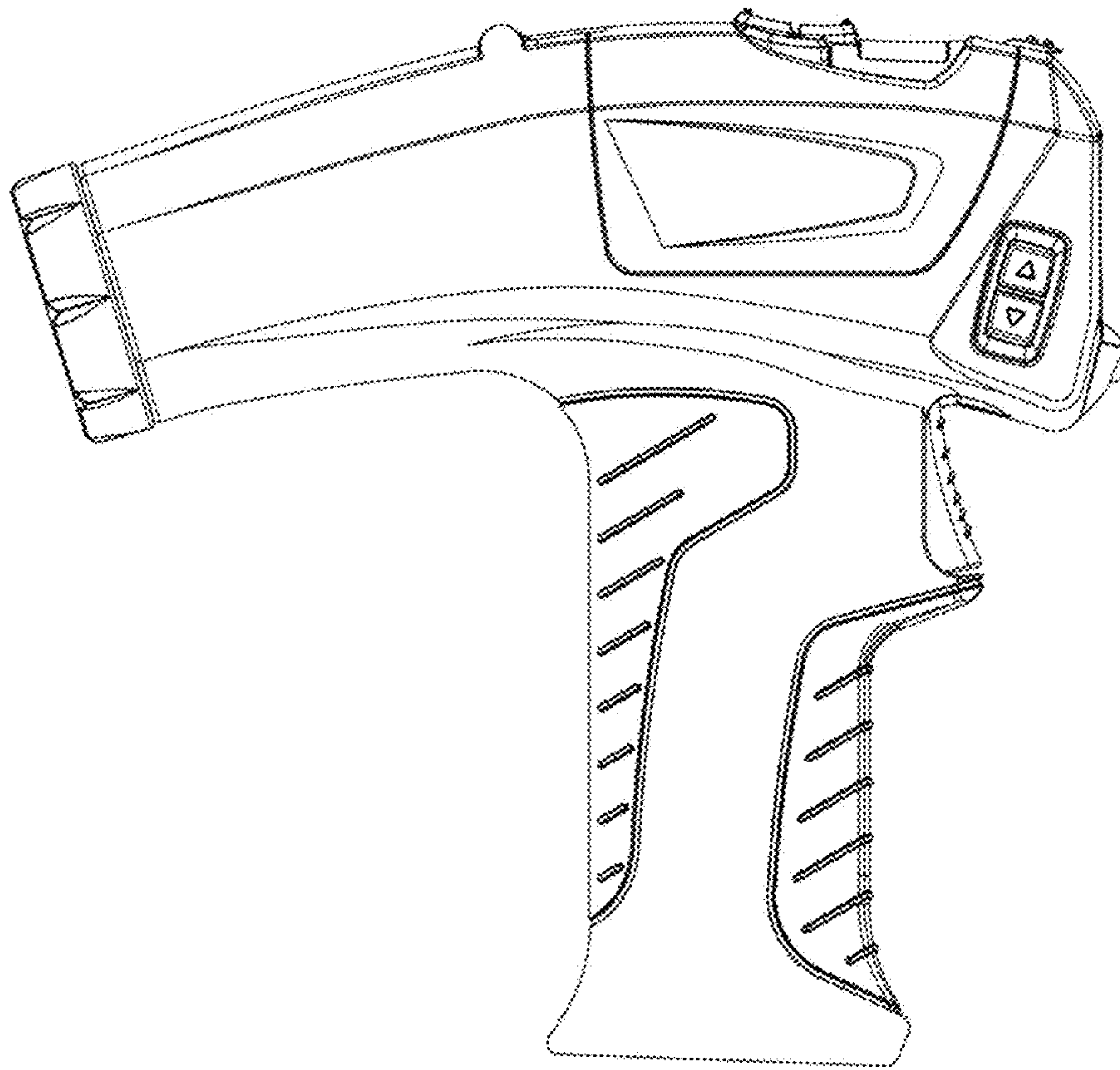


FIG. 3

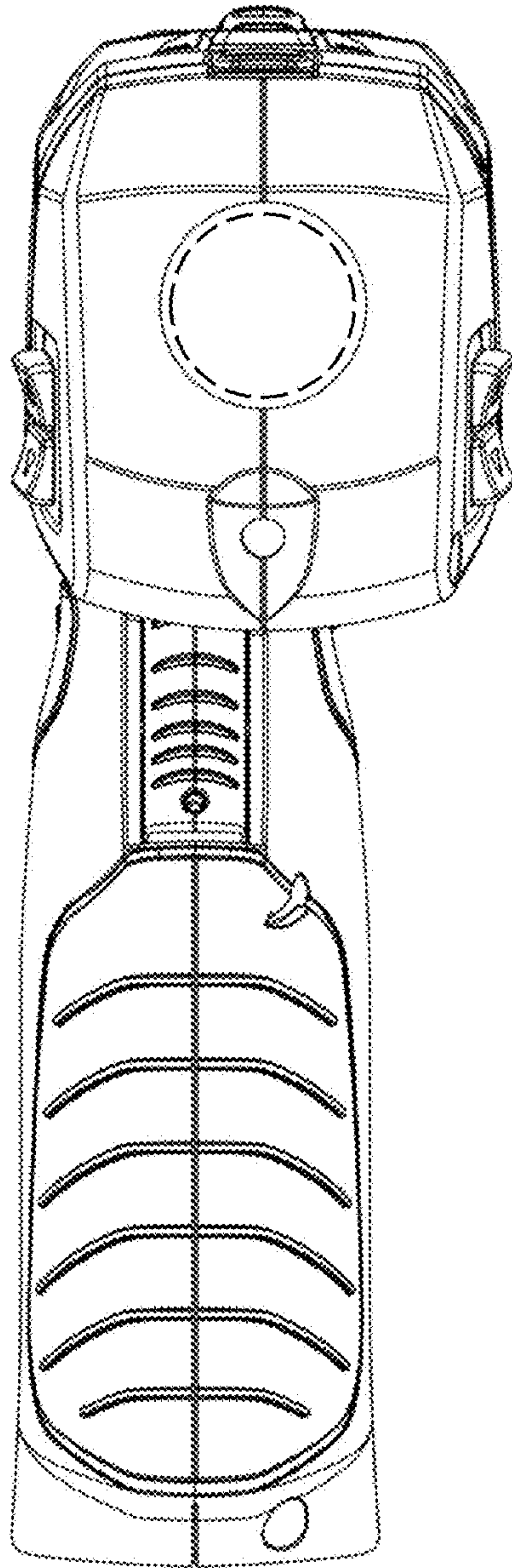


FIG. 4

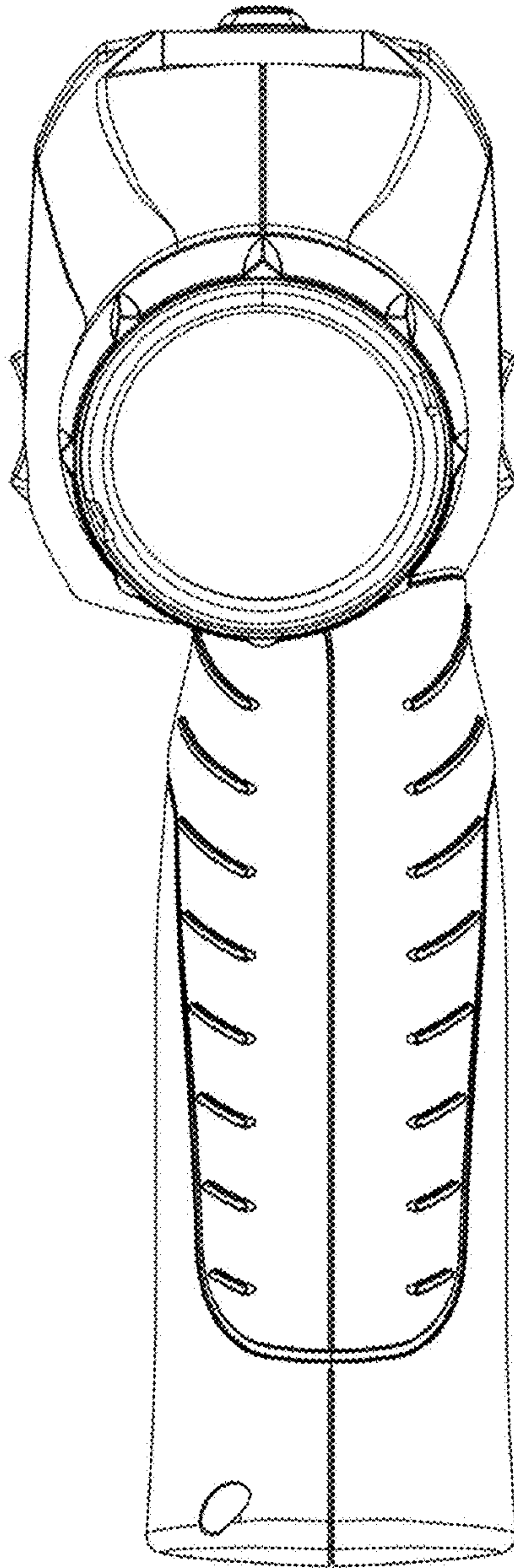


FIG. 5

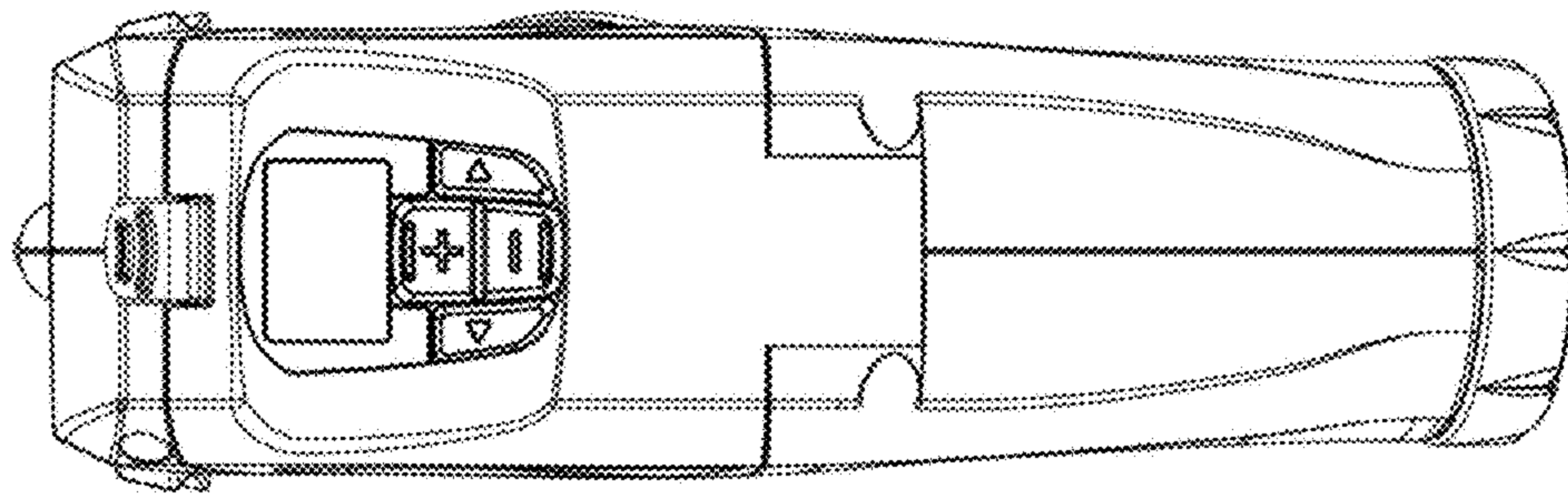


FIG. 6

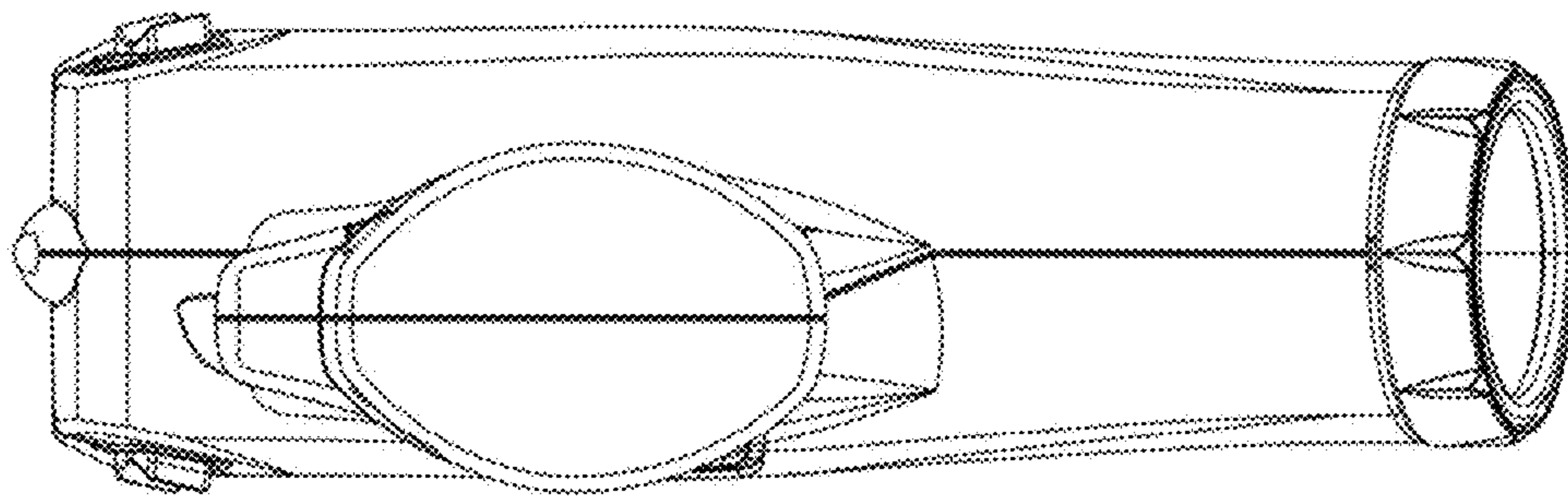


FIG. 7