



US00D838300S

(12) **United States Design Patent** (10) **Patent No.:** **US D838,300 S**
Hecht (45) **Date of Patent:** **** Jan. 15, 2019**

- (54) **CUTTING INSERT**
- (71) Applicant: **Iscar, Ltd.**, Tefen (IL)
- (72) Inventor: **Gil Hecht**, Nahariya (IL)
- (73) Assignee: **Iscar, Ltd.**, Tefen (IL)
- (**) Term: **15 Years**
- (21) Appl. No.: **29/628,320**
- (22) Filed: **Dec. 4, 2017**
- (51) **LOC (11) Cl.** **15-09**
- (52) **U.S. Cl.**
 USPC **D15/139**
- (58) **Field of Classification Search**
 USPC D8/20, 70; D15/126, 131, 138, 139, 140
 CPC B23C 5/109; B23C 5/207
 See application file for complete search history.

- 5,161,920 A * 11/1992 Zinner B23B 27/045
 407/110
- D338,477 S * 8/1993 Mihic D15/139
- D343,400 S * 1/1994 Lindstedt D15/139
- D350,549 S * 9/1994 Lindstedt D15/139
- D381,027 S * 7/1997 Mihic D15/139
- D389,161 S * 1/1998 Jonsson D15/139
- D452,870 S * 1/2002 Hansson D15/139
- D466,537 S * 12/2002 Hansson D15/139
- D470,516 S * 2/2003 Andersson D15/139
- D502,473 S * 3/2005 Tong D15/139
- D527,400 S * 8/2006 Konet D15/139
- 7,090,443 B2 8/2006 Hecht et al.
- D535,312 S * 1/2007 Simpson, III D15/139
- 7,163,361 B2 1/2007 Hecht
- D537,854 S * 3/2007 Tong D15/139

(Continued)

Primary Examiner — Patricia A Palasik
 (74) *Attorney, Agent, or Firm* — Womble Bond Dickinson
 (US) LLP

(57) **CLAIM**

The ornamental design for a cutting insert, as shown and described.

DESCRIPTION

FIG. 1 is an isometric front top view of my new design;
 FIG. 2 is an isometric rear top view thereof;
 FIG. 3 is a top view thereof;
 FIG. 4 is a left side view thereof;
 FIG. 5 is a right side view thereof;
 FIG. 6 is a front view thereof;
 FIG. 7 is a rear view thereof;
 FIG. 8 is a bottom view thereof; and,
 FIG. 9 is a sectional view taken through plane 9 shown in FIG. 3.

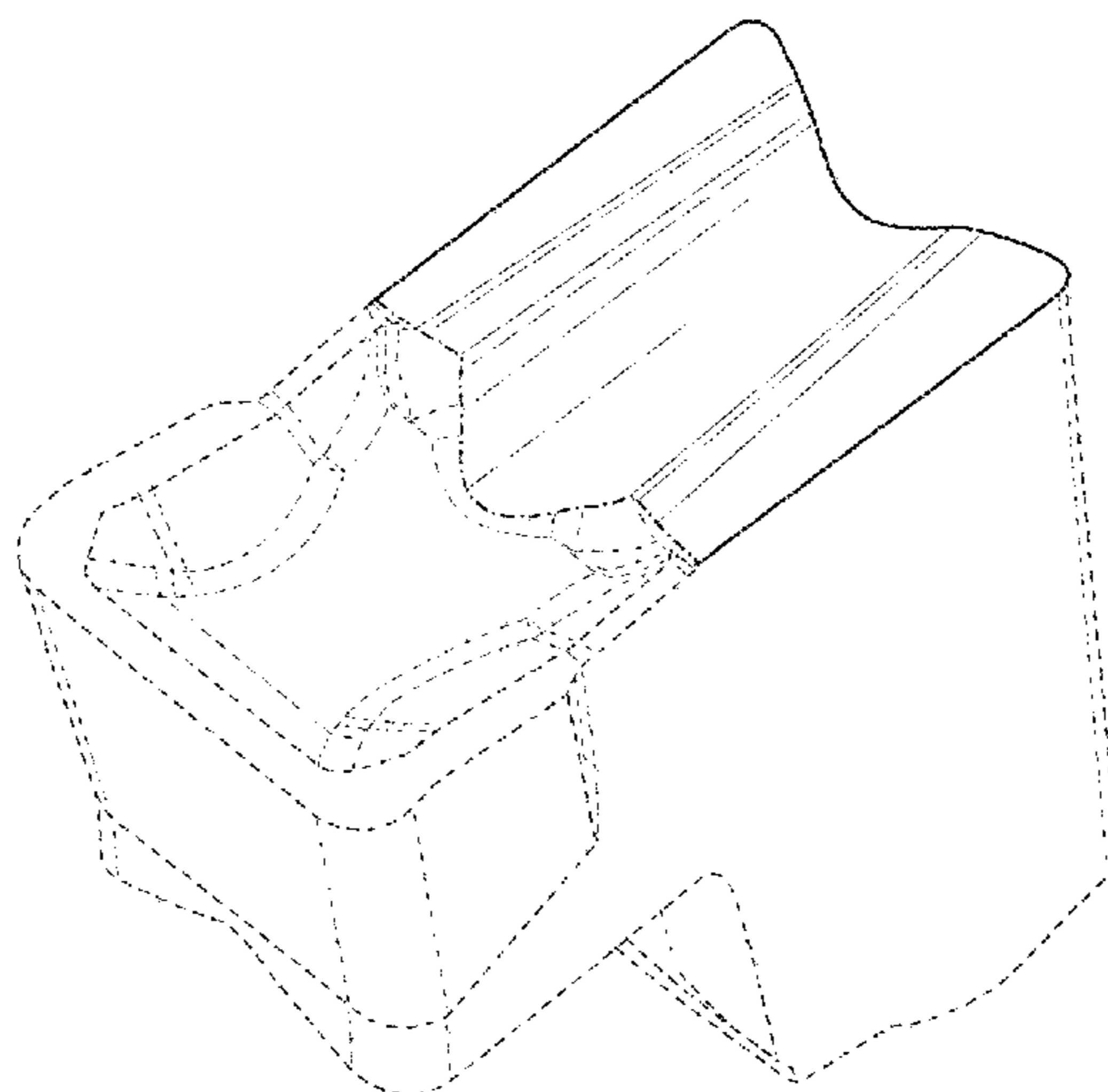
The dash-dot lines in the figures represent a boundary of the claimed design that forms no part thereof. The dot-dot lines in the figures represent environmental features that form no part of the claimed design.

1 Claim, 9 Drawing Sheets

(56) **References Cited**

U.S. PATENT DOCUMENTS

- 2,677,170 A * 5/1954 Kuns B23B 27/22
 407/116
- D275,760 S * 10/1984 Cochran D15/139
- D278,716 S * 5/1985 Pano D15/139
- D281,432 S * 11/1985 Tuomaala D15/139
- D284,011 S * 5/1986 Pano D15/139
- 4,778,311 A * 10/1988 Niemi B23B 27/045
 407/116
- D306,032 S * 2/1990 Mihic 407/116
- 5,076,739 A * 12/1991 Pano B23B 27/045
 407/114
- D328,605 S * 8/1992 Bohannan D15/139
- D329,439 S * 9/1992 Gustafsson D15/139
- D329,858 S * 9/1992 Gustafsson D15/139
- D329,859 S * 9/1992 Gustafsson D15/139
- D330,033 S * 10/1992 Gustafsson D15/139
- D330,381 S * 10/1992 Gustafsson D15/139
- D330,901 S * 11/1992 Gustafsson D15/139



(56)

References Cited

U.S. PATENT DOCUMENTS

7,326,006	B2	2/2008	Hecht et al.	
7,578,640	B2	8/2009	Hecht	
D607,025	S *	12/2009	Niemi	D15/139
D616,003	S *	5/2010	Ueda	D15/139
8,708,610	B2	4/2014	Hecht	
D805,565	S *	12/2017	Min	D15/139
2007/0086864	A1	4/2007	Hecht	
2012/0269588	A1	10/2012	Kaufmann	

* cited by examiner

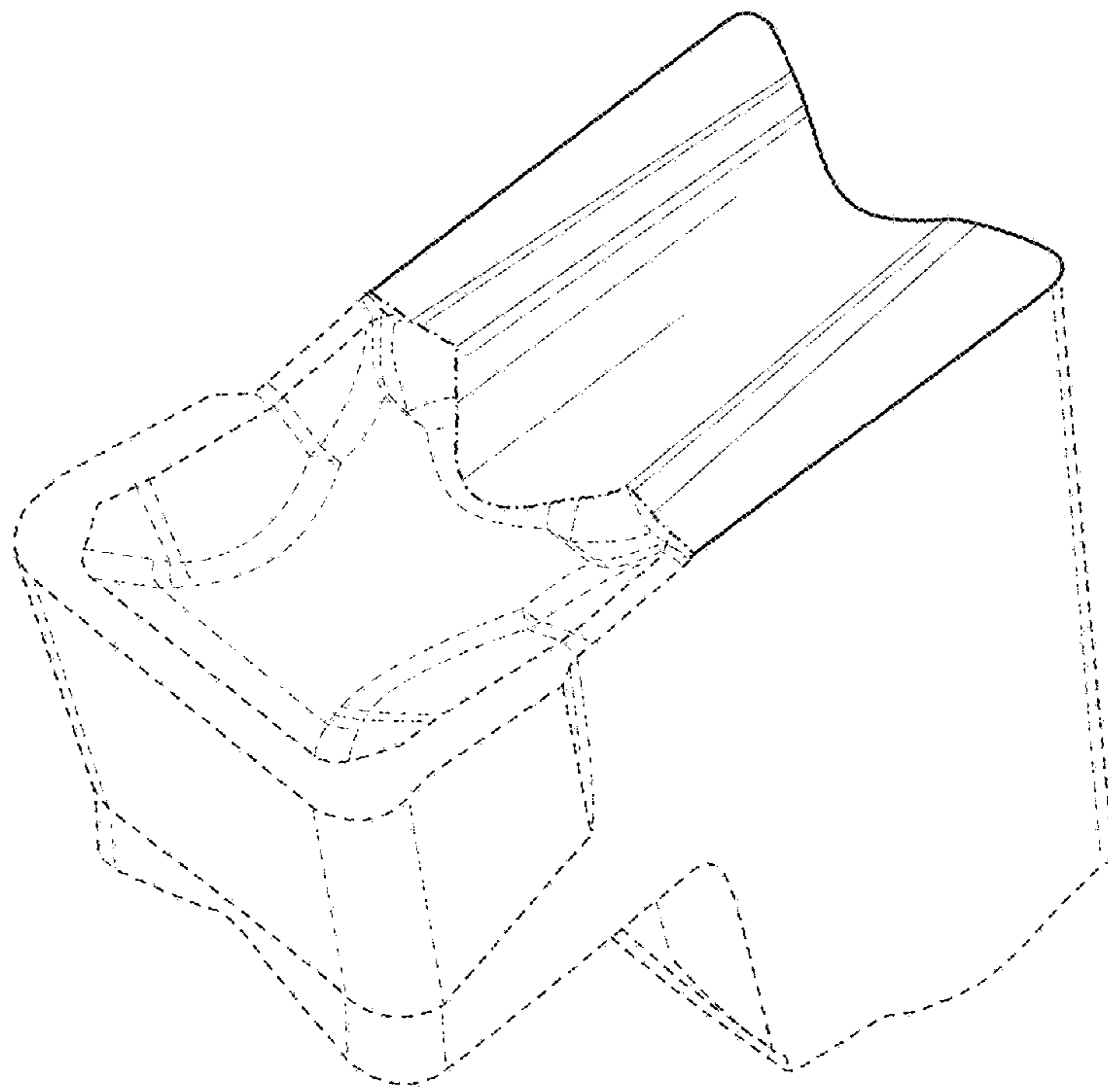


FIG. 1

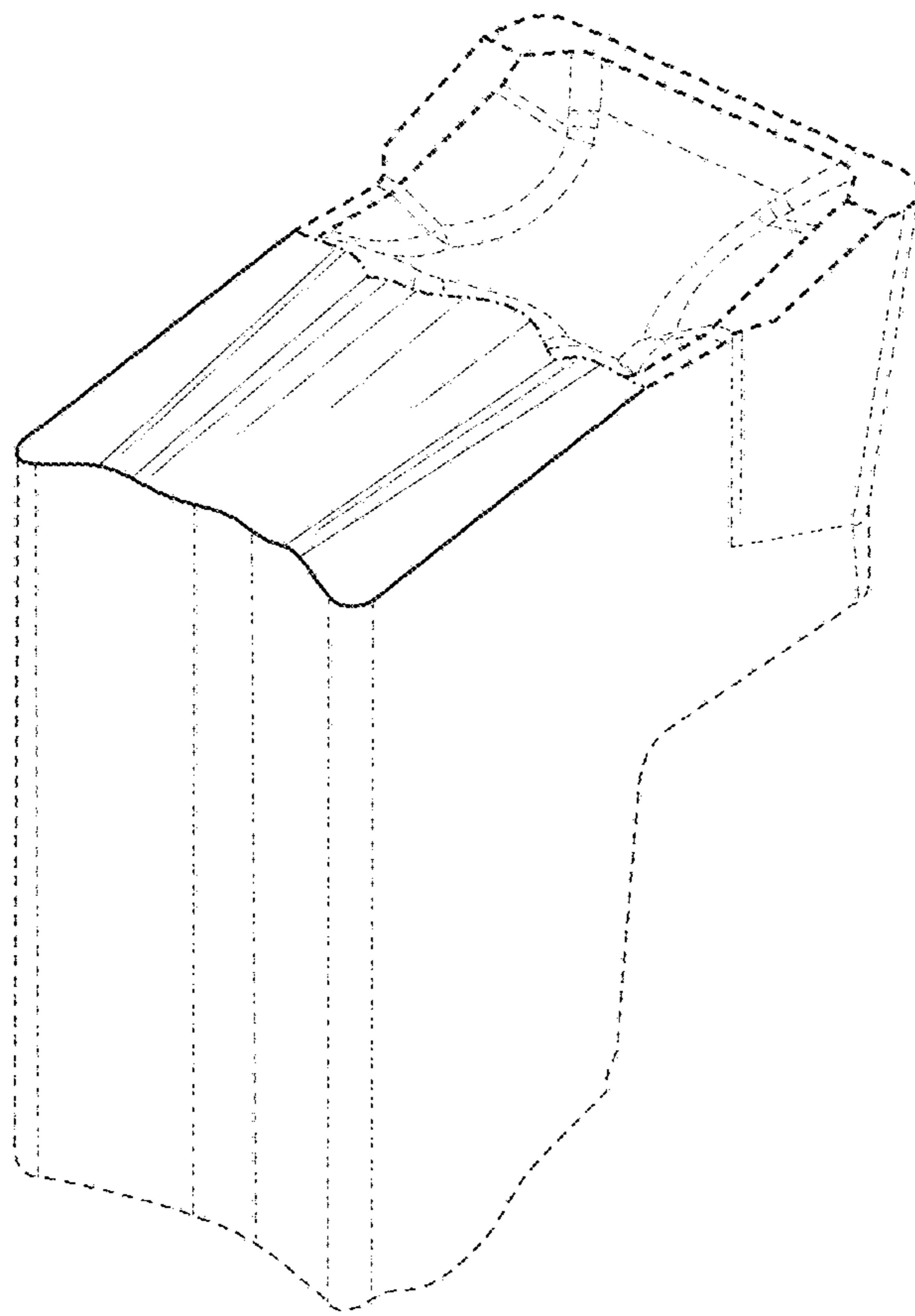


FIG. 2

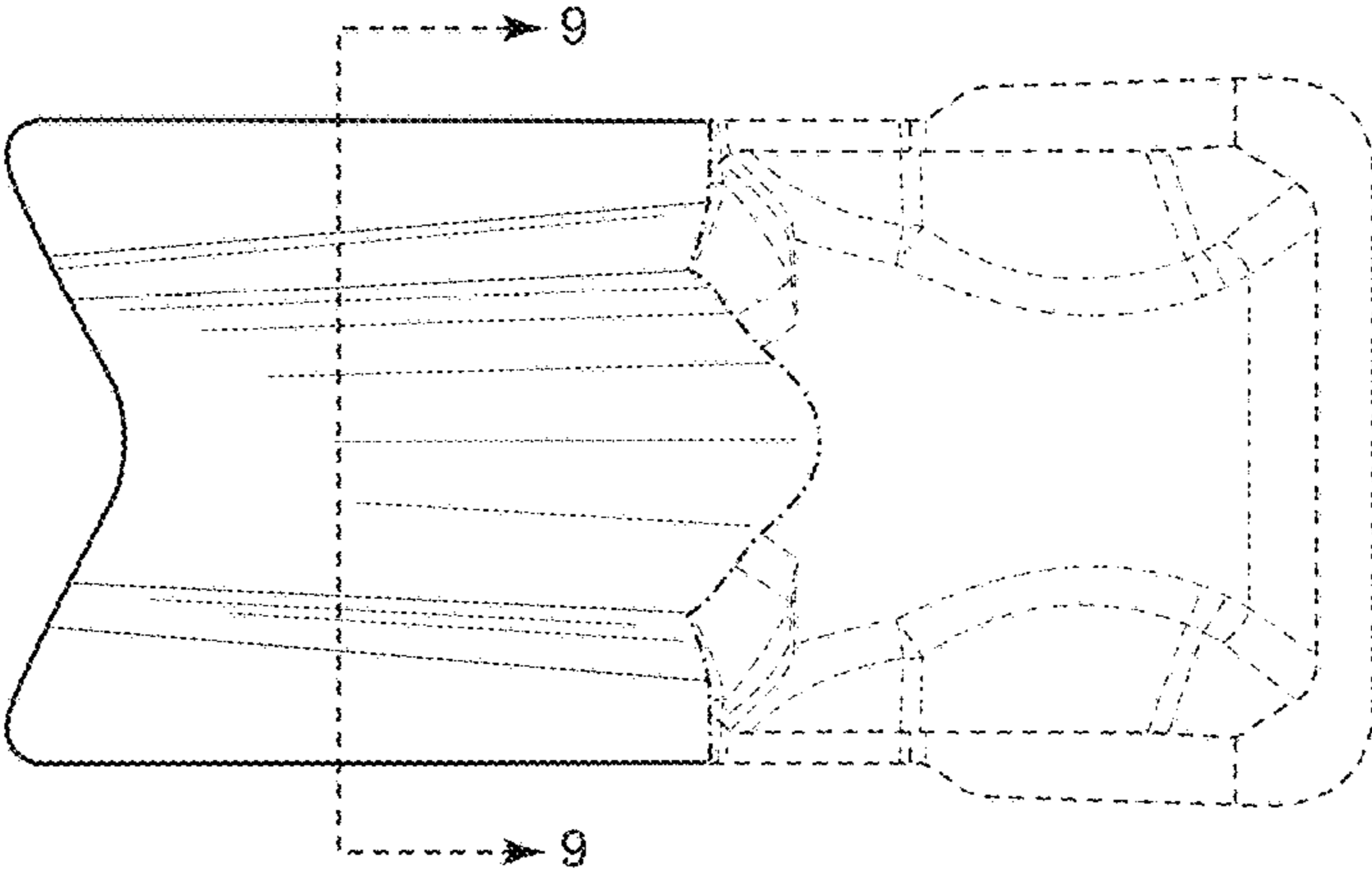


FIG. 3

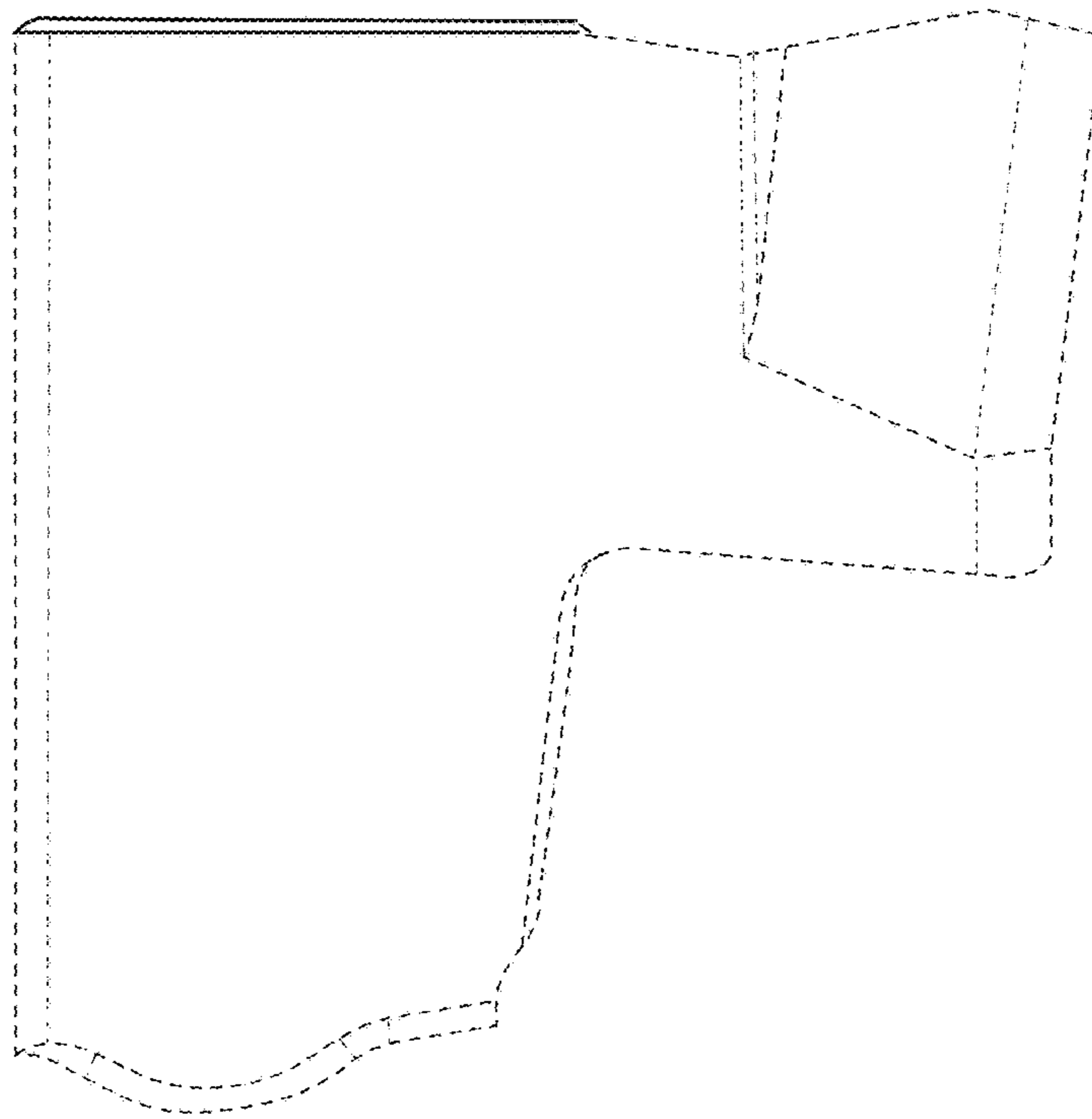


FIG. 4

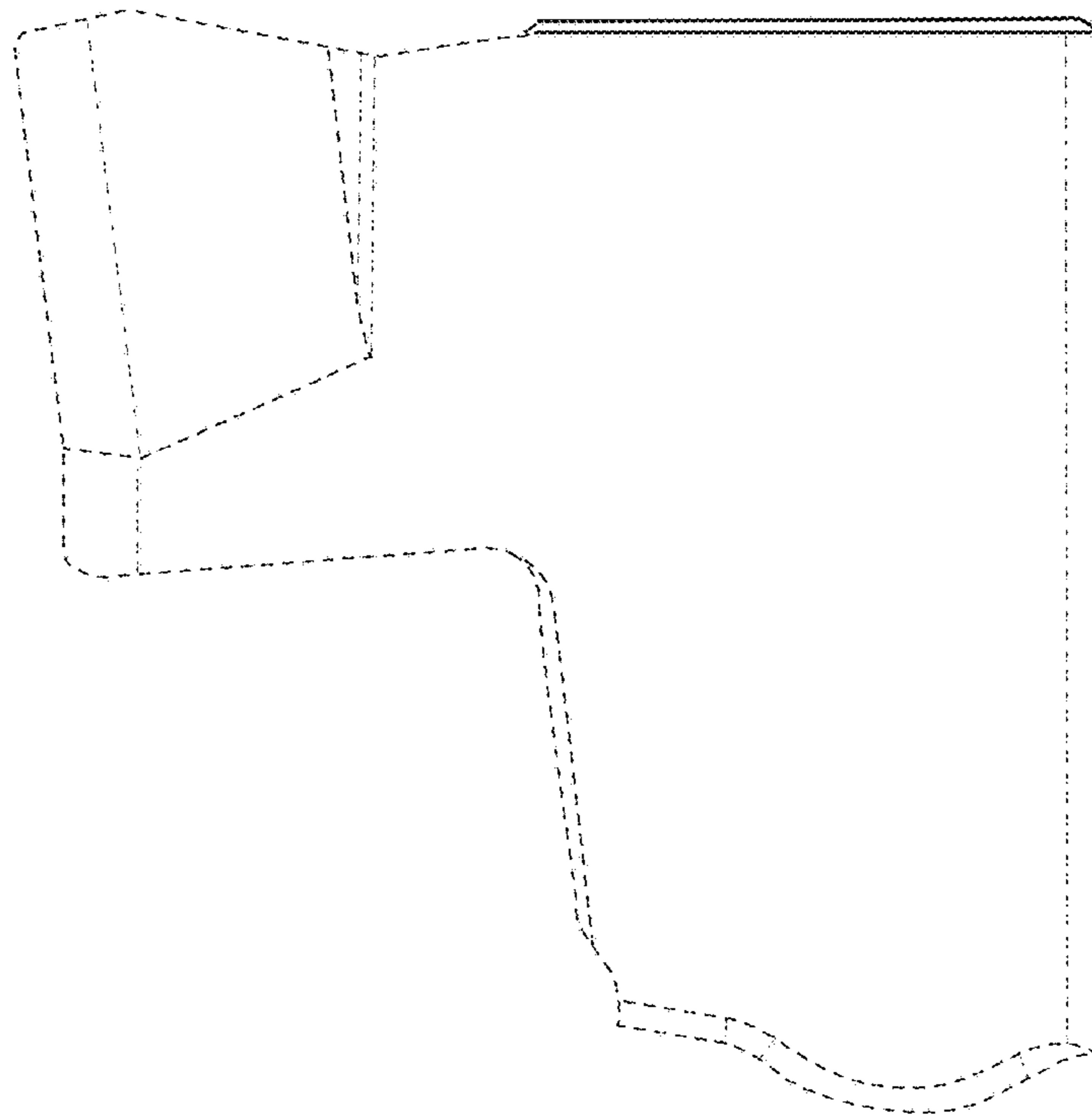


FIG. 5

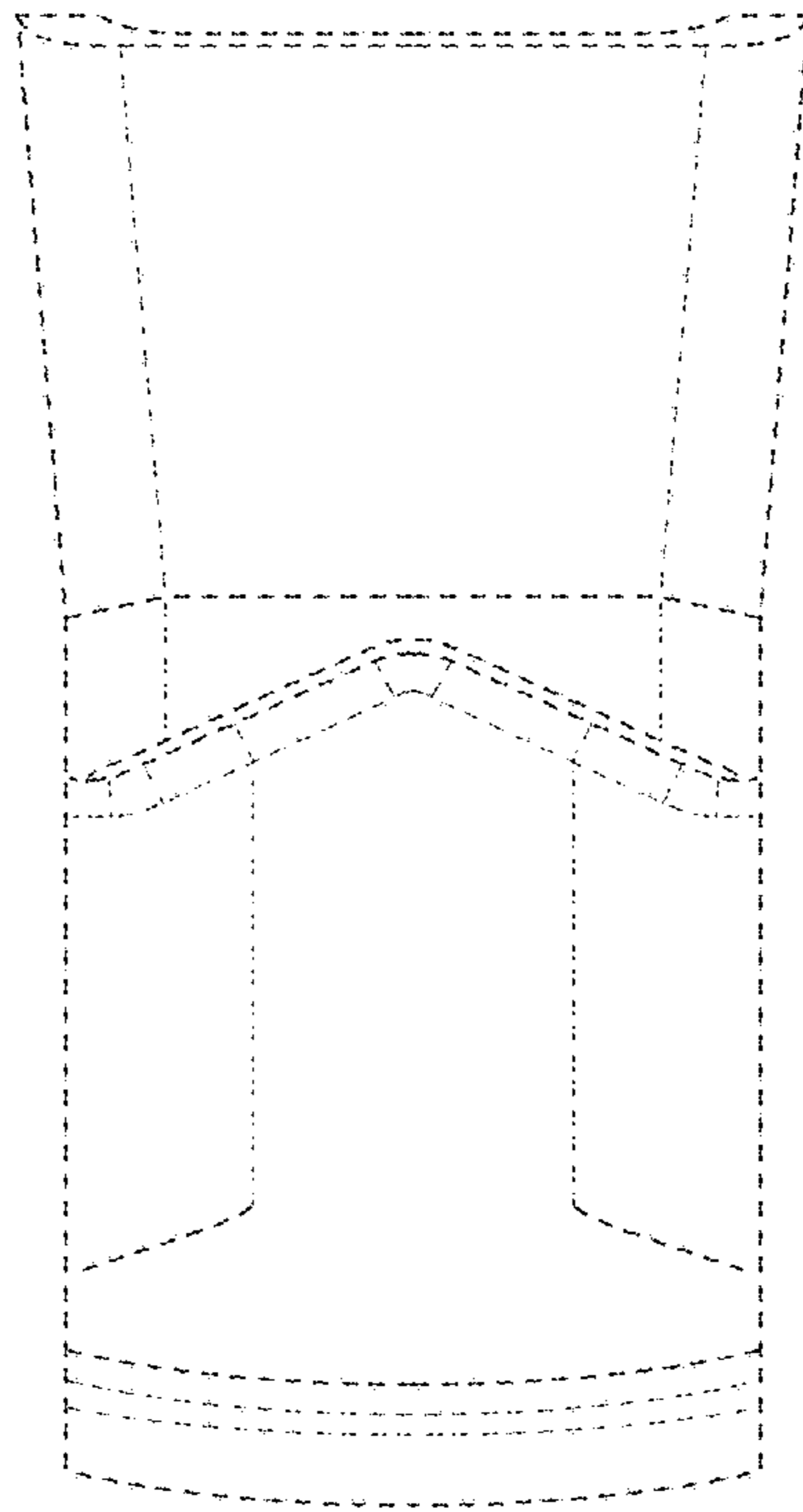


FIG. 6

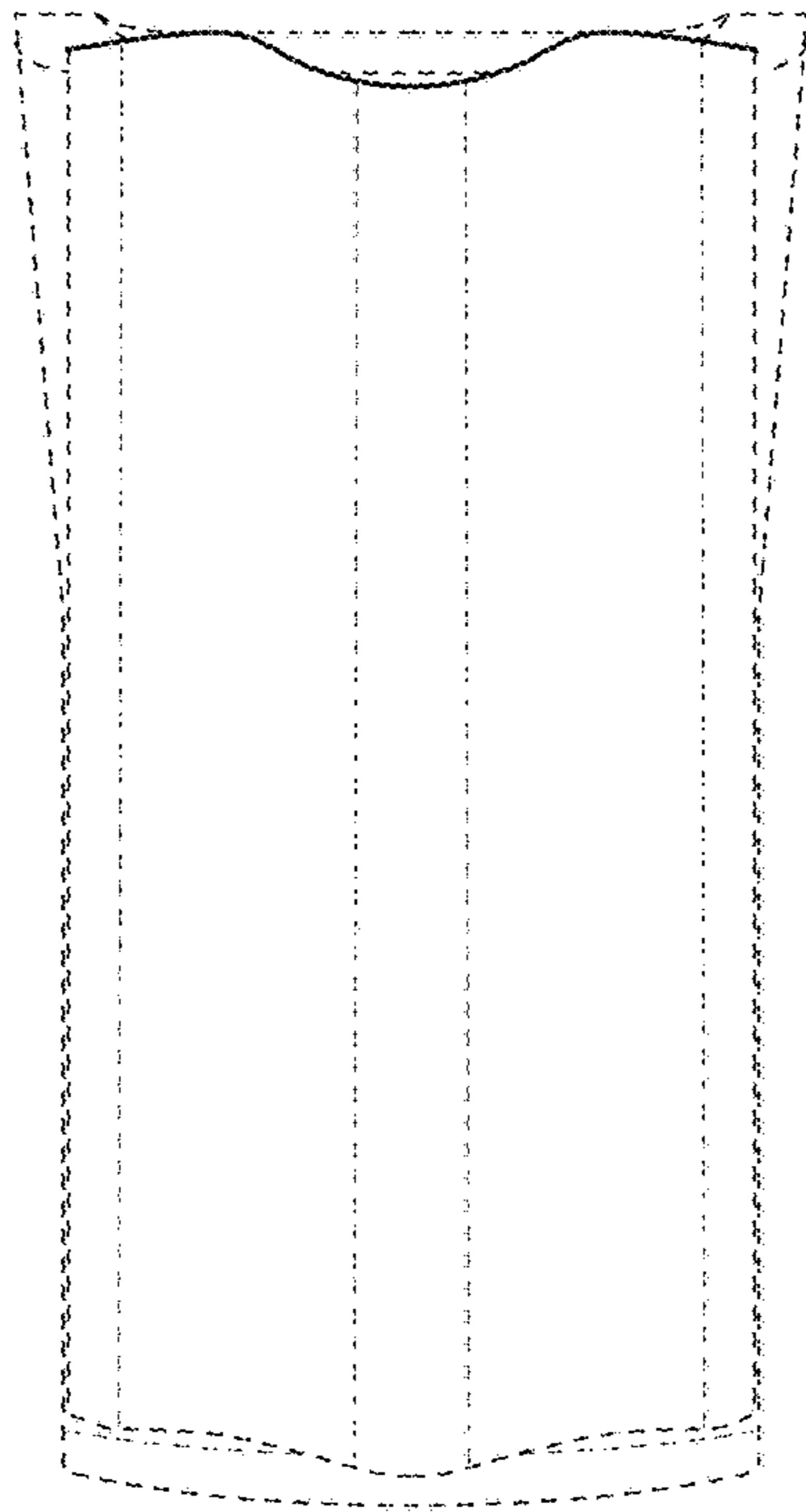


FIG. 7

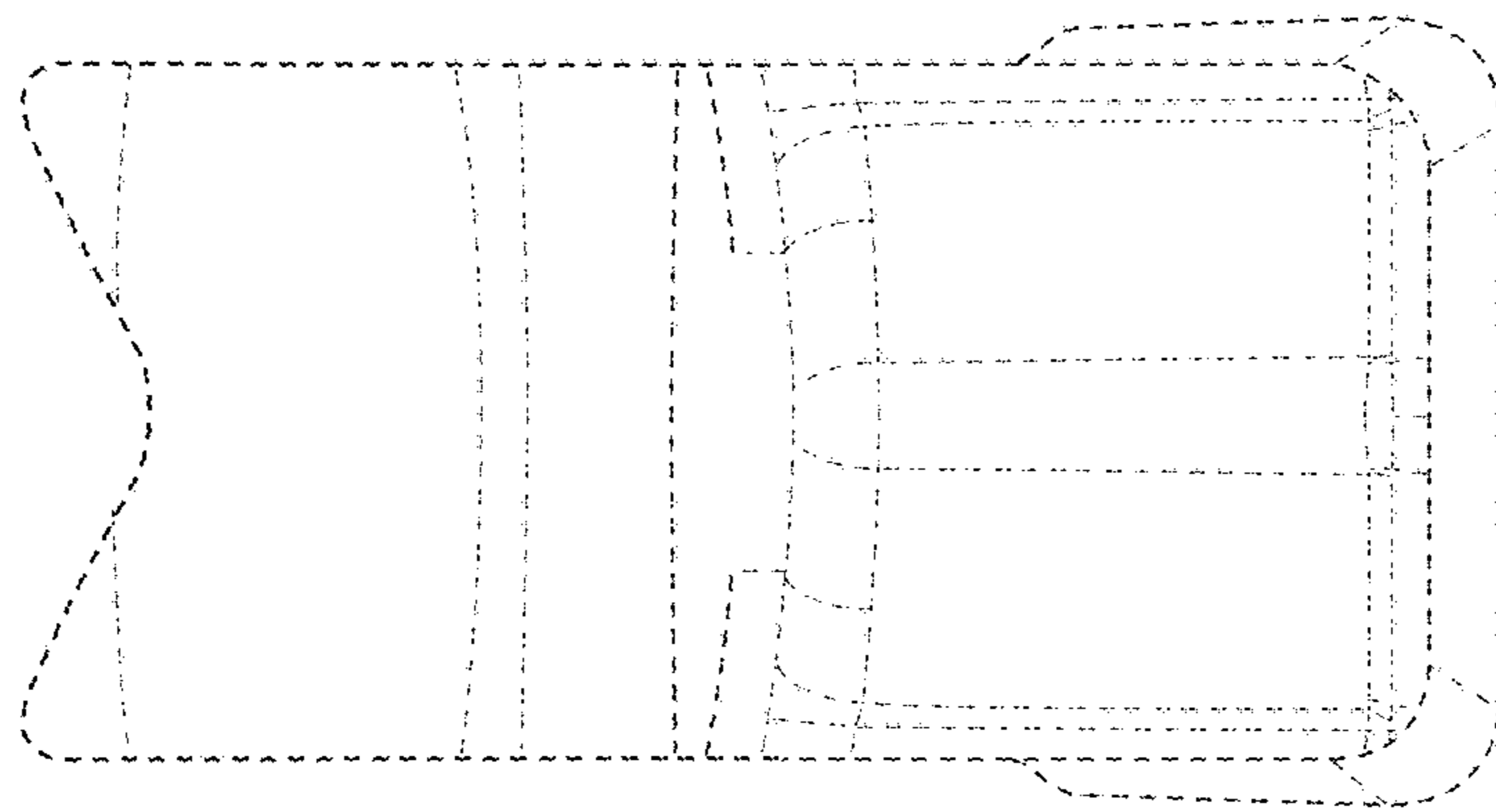


FIG. 8

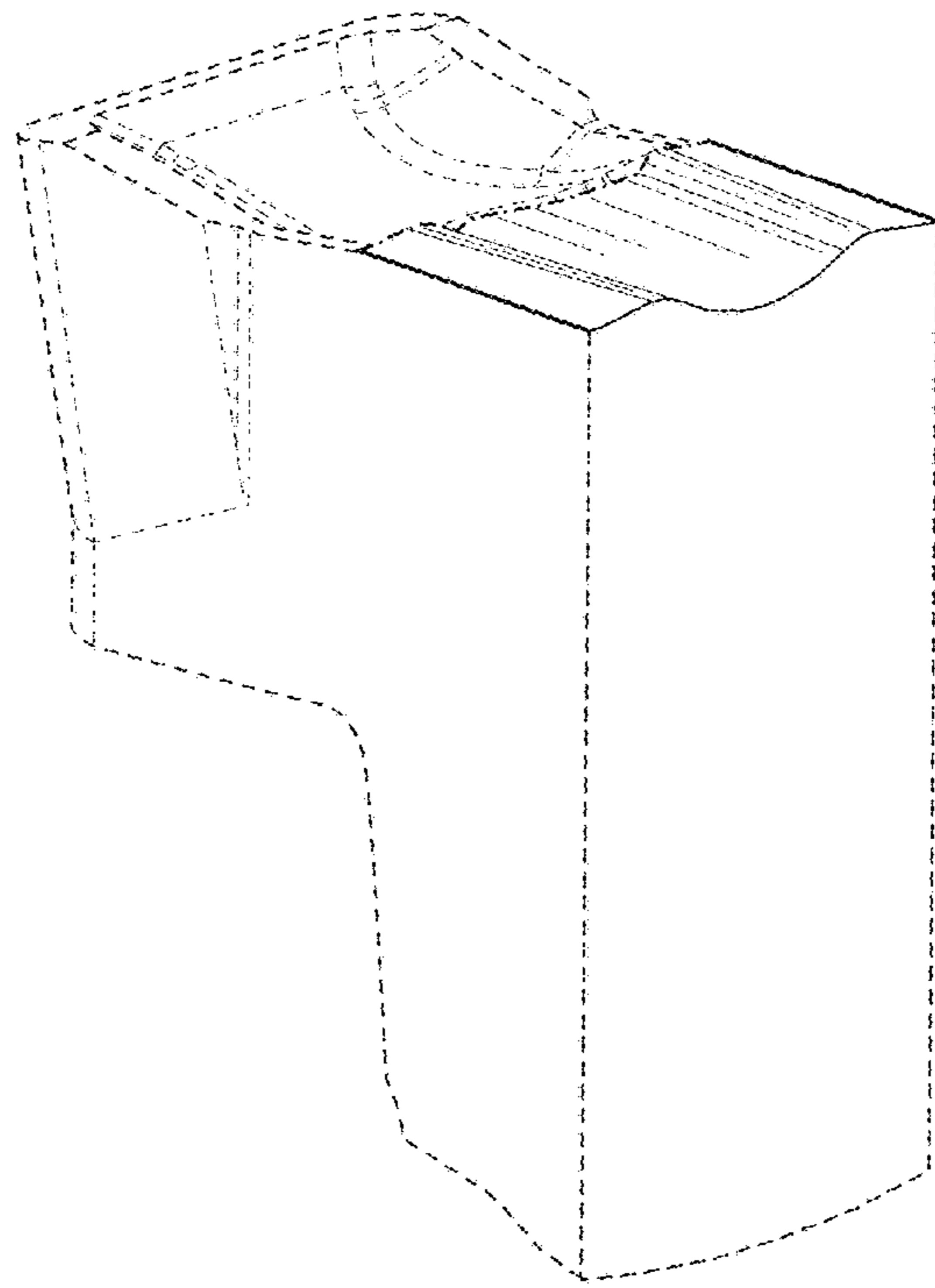


FIG. 9