



US00D838298S

(12) **United States Design Patent** (10) **Patent No.:** **US D838,298 S**
Choi et al. (45) **Date of Patent:** **** Jan. 15, 2019**

(54) **REFRIGERATOR**

F25D 27/005; F25D 23/12; F25D 29/005;
F25D 17/042; F25D 2325/021

(71) Applicant: **LG ELECTRONICS INC.**, Seoul
(KR)

See application file for complete search history.

(72) Inventors: **Kyukwan Choi**, Seoul (KR); **Wonsang Choi**, Seoul (KR); **Daesung Lee**, Seoul (KR); **Yong Kim**, Seoul (KR); **Jinhee Park**, Seoul (KR)

(56) **References Cited**

U.S. PATENT DOCUMENTS

(73) Assignee: **LG ELECTRONICS INC.**, Seoul
(KR)

D615,565	S	*	5/2010	Kristiansen	D15/86
D629,022	S	*	12/2010	Cho	D15/85
D656,967	S	*	4/2012	Yi	D15/86
D673,189	S	*	12/2012	Kwak	D15/86
D681,075	S	*	4/2013	Yi	D15/86
D691,644	S	*	10/2013	Cho	D15/86
D701,539	S	*	3/2014	Saejin	D15/85
D702,739	S	*	4/2014	Kim	D15/86
D724,629	S	*	3/2015	Choi	D15/85
D729,286	S	*	5/2015	Kwak	D15/85
D732,584	S	*	6/2015	Sin	D15/86
D742,434	S	*	11/2015	Yeo	D15/86
D767,648	S	*	9/2016	Shoemaker	D15/86

(**) Term: **15 Years**

(21) Appl. No.: **35/503,849**

(22) Filed: **Apr. 20, 2017**

* cited by examiner

(80) **Hague Agreement Data**

Int. Filing Date: **Apr. 20, 2017**
Int. Reg. No.: **DM/095863**
Int. Reg. Date: **Apr. 20, 2017**
Int. Reg. Pub. Date: **Oct. 20, 2017**

Primary Examiner — Richard E Chilcot

(74) *Attorney, Agent, or Firm* — Birch, Stewart, Kolasch & Birch, LLP

(30) **Foreign Application Priority Data**

Oct. 24, 2016 (KR) 30-2016-0050933

(51) **LOC (11) Cl.** **15-07**

(52) **U.S. Cl.**
USPC **D15/81**
CPC **F25D 23/02** (2013.01)

(58) **Field of Classification Search**
USPC D15/79-91; D6/349-380, 519, 559-561, D6/611, 646, 657-661, 662.1, 663, 675, D6/675.1-675.3, 683, 683.1, 685, 691, D6/691.5, 699, 702-708.25, 716-716.4
CPC F25D 23/028; F25D 23/02; F25D 25/025; F25D 23/00; F25D 2323/021; F25D 11/00; F25D 2323/024; F25D 23/04; F25D 29/00; F25D 25/02; F25D 25/024;

(57) **CLAIM**

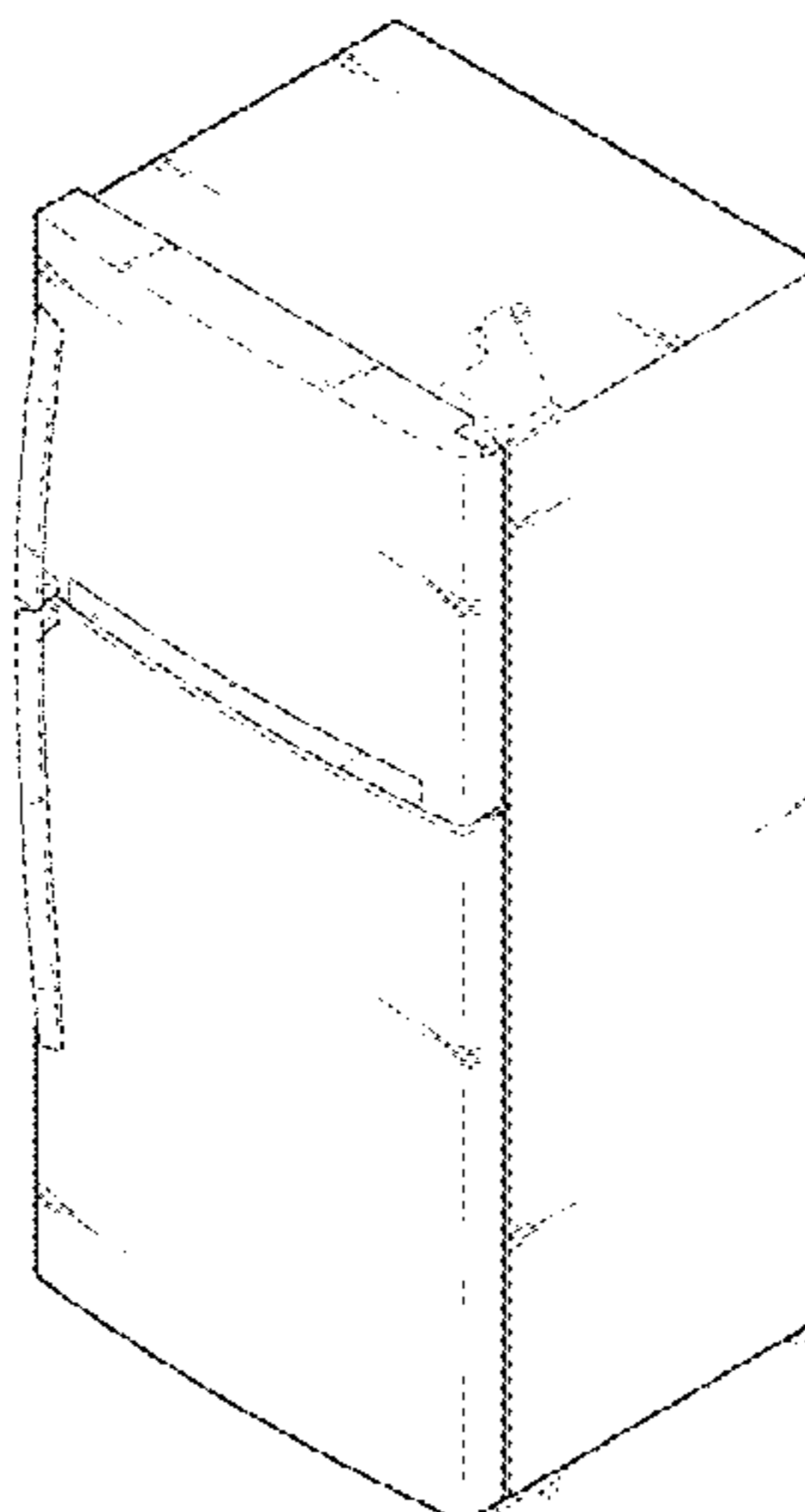
The ornamental design for a refrigerator, as shown and described.

DESCRIPTION

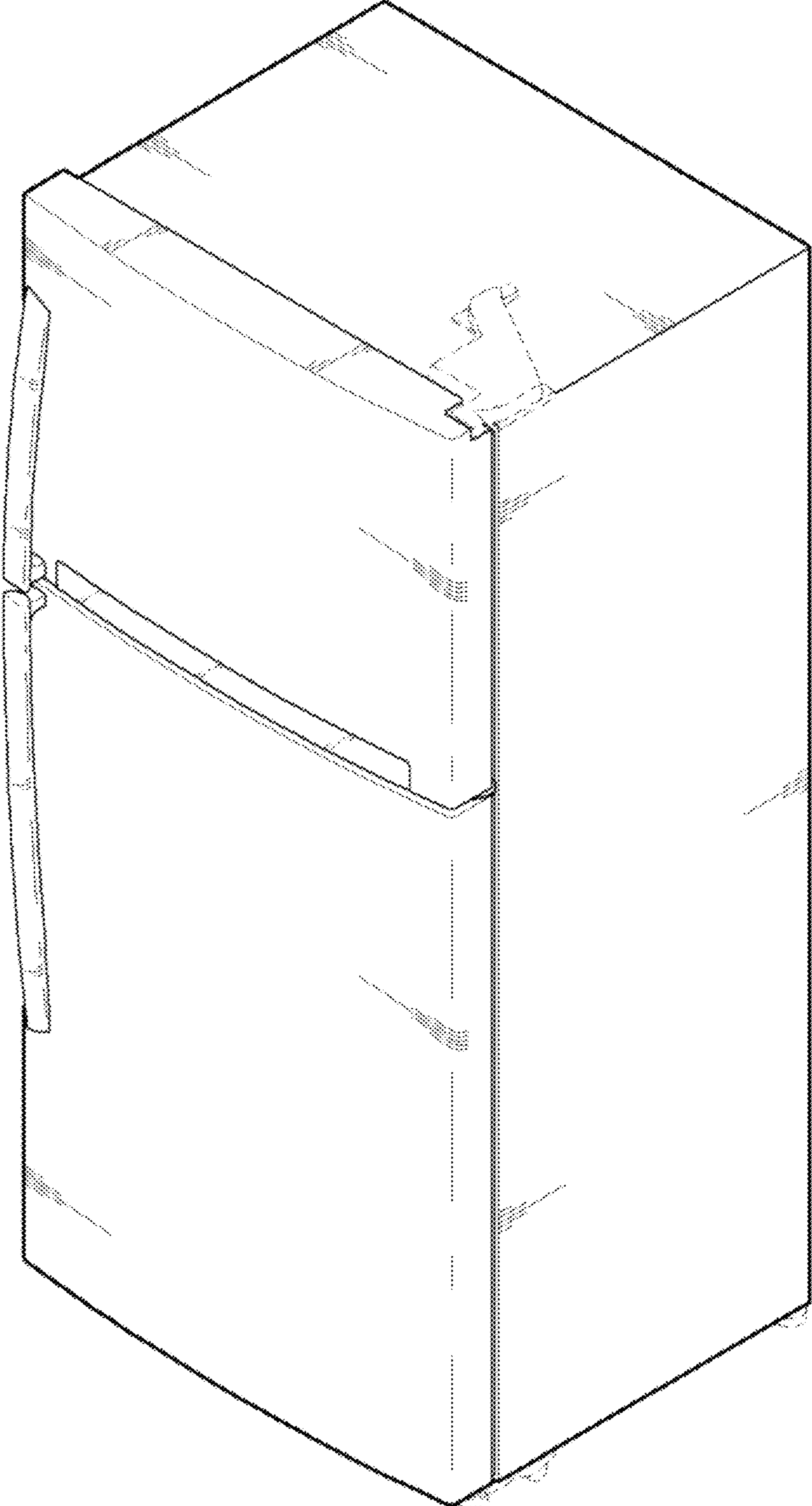
- 1. Refrigerator
- 1.1 : Perspective
- 1.2 : Front
- 1.3 : Back
- 1.4 : Left
- 1.5 : Right
- 1.6 : Top
- 1.7 : Bottom
- 1.8 : Reference

The broken lines depict portions of the refrigerator that form no part of the claimed design.

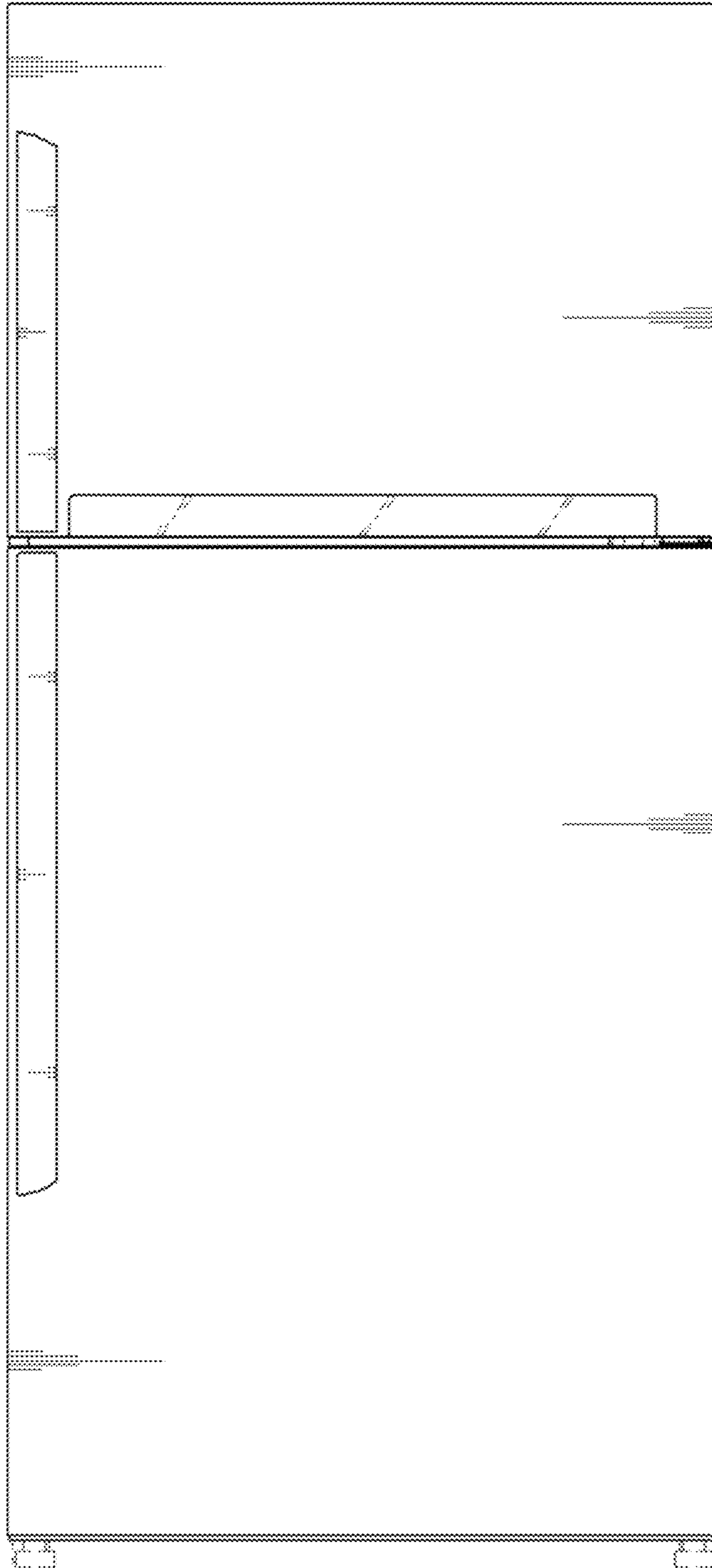
1 Claim, 8 Drawing Sheets



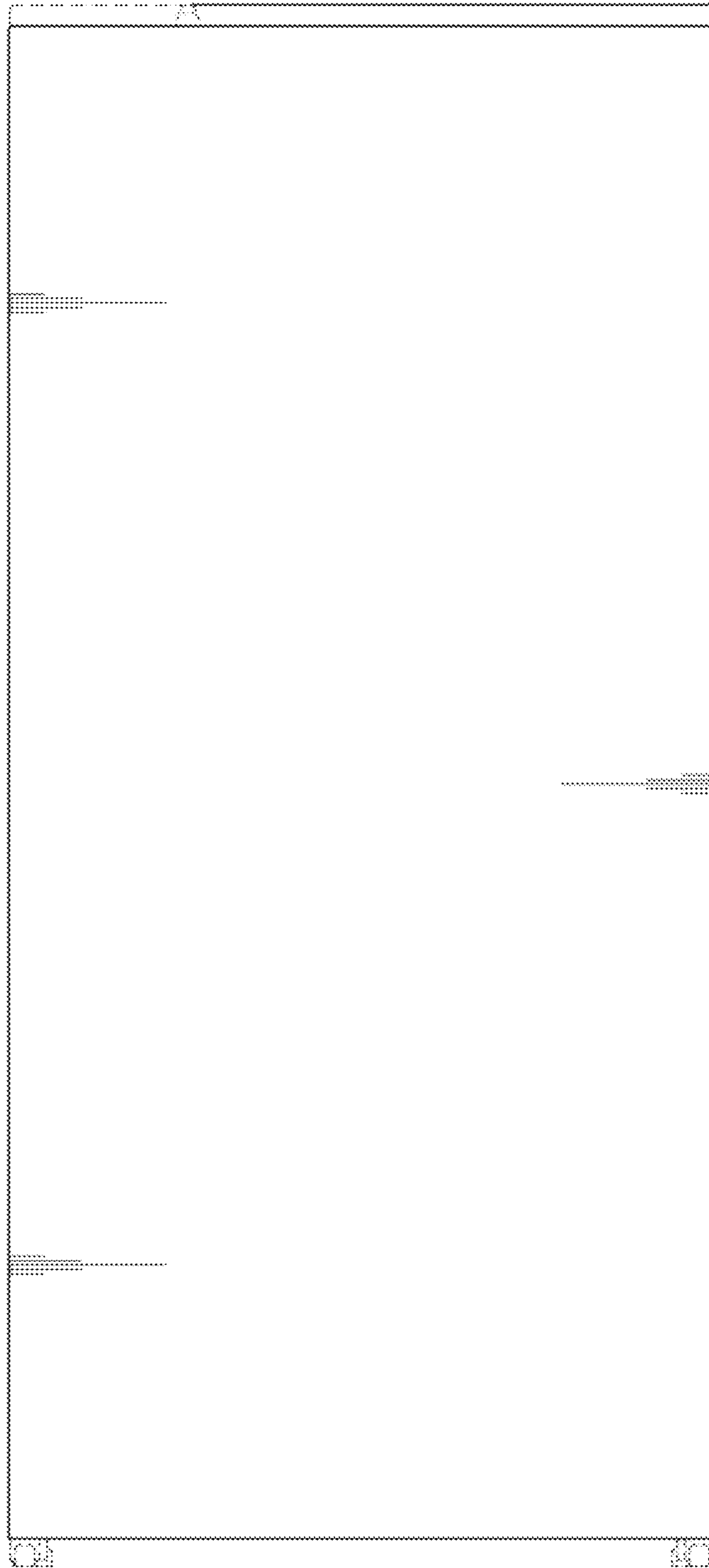
1.1



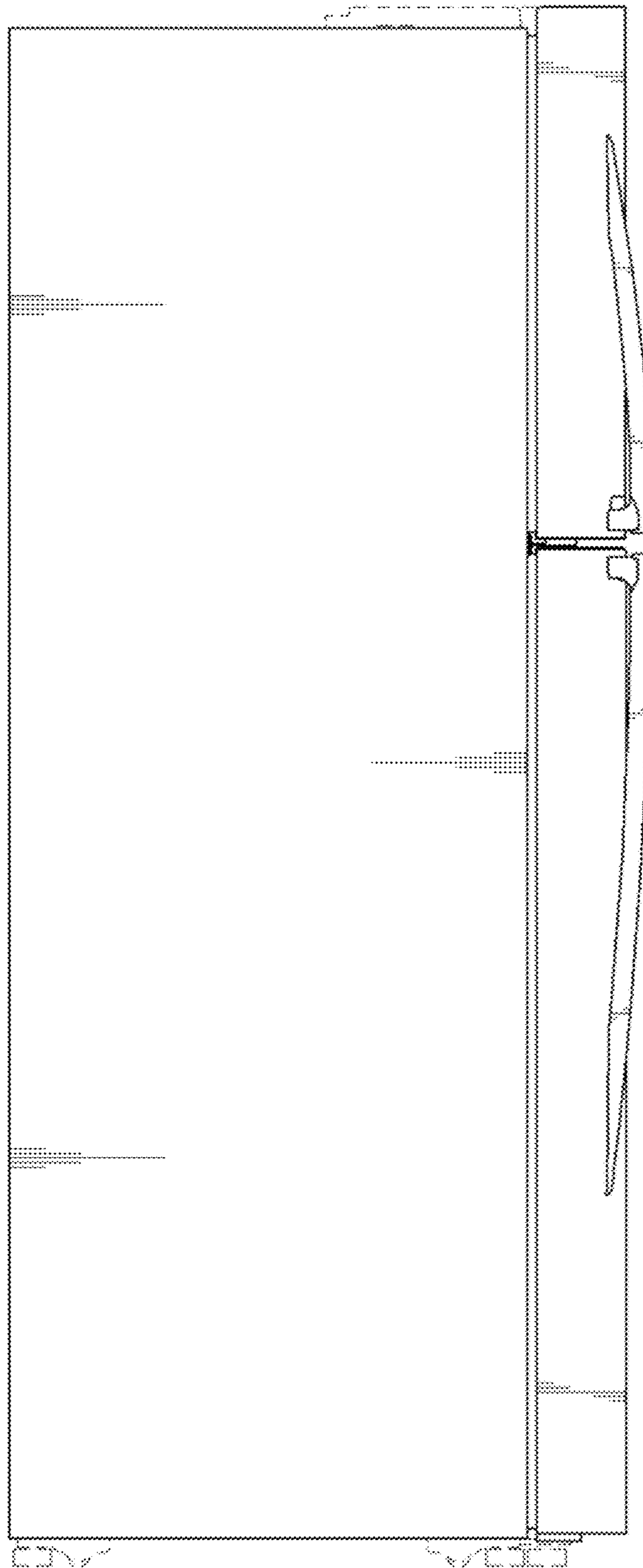
1.2



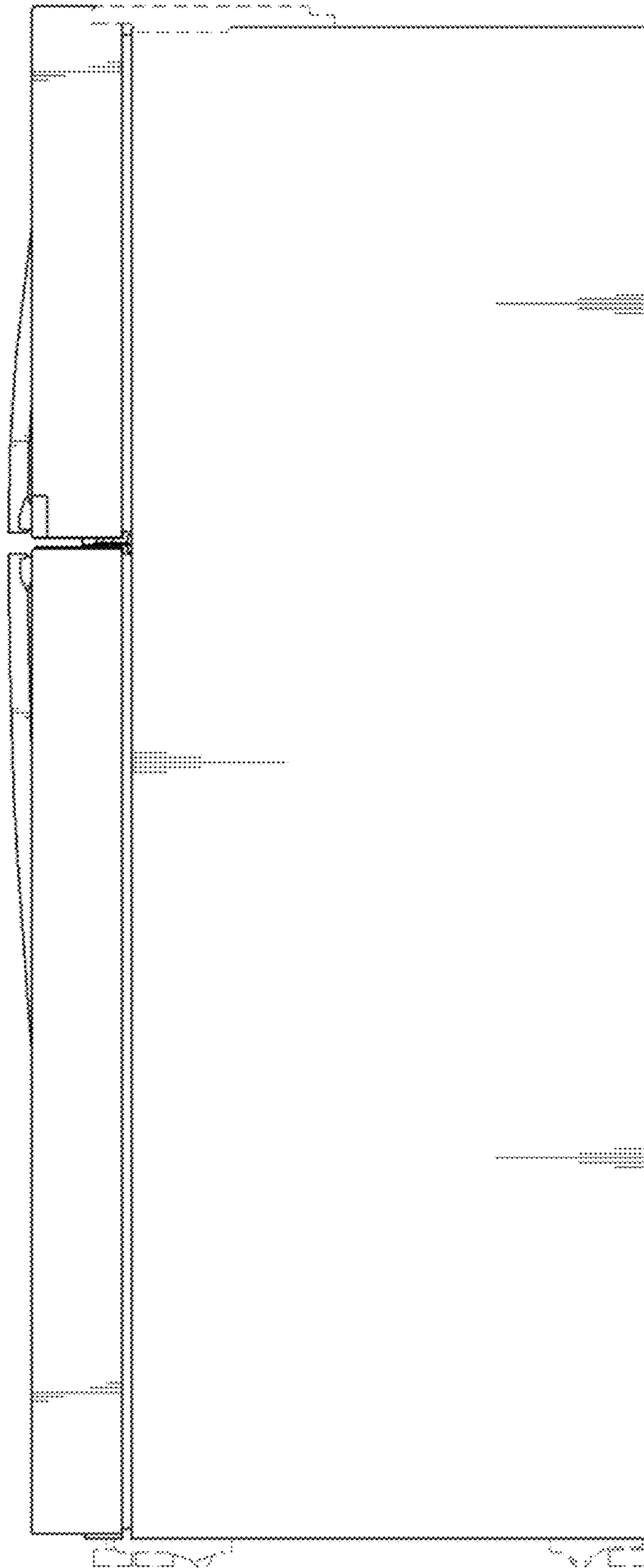
1.3



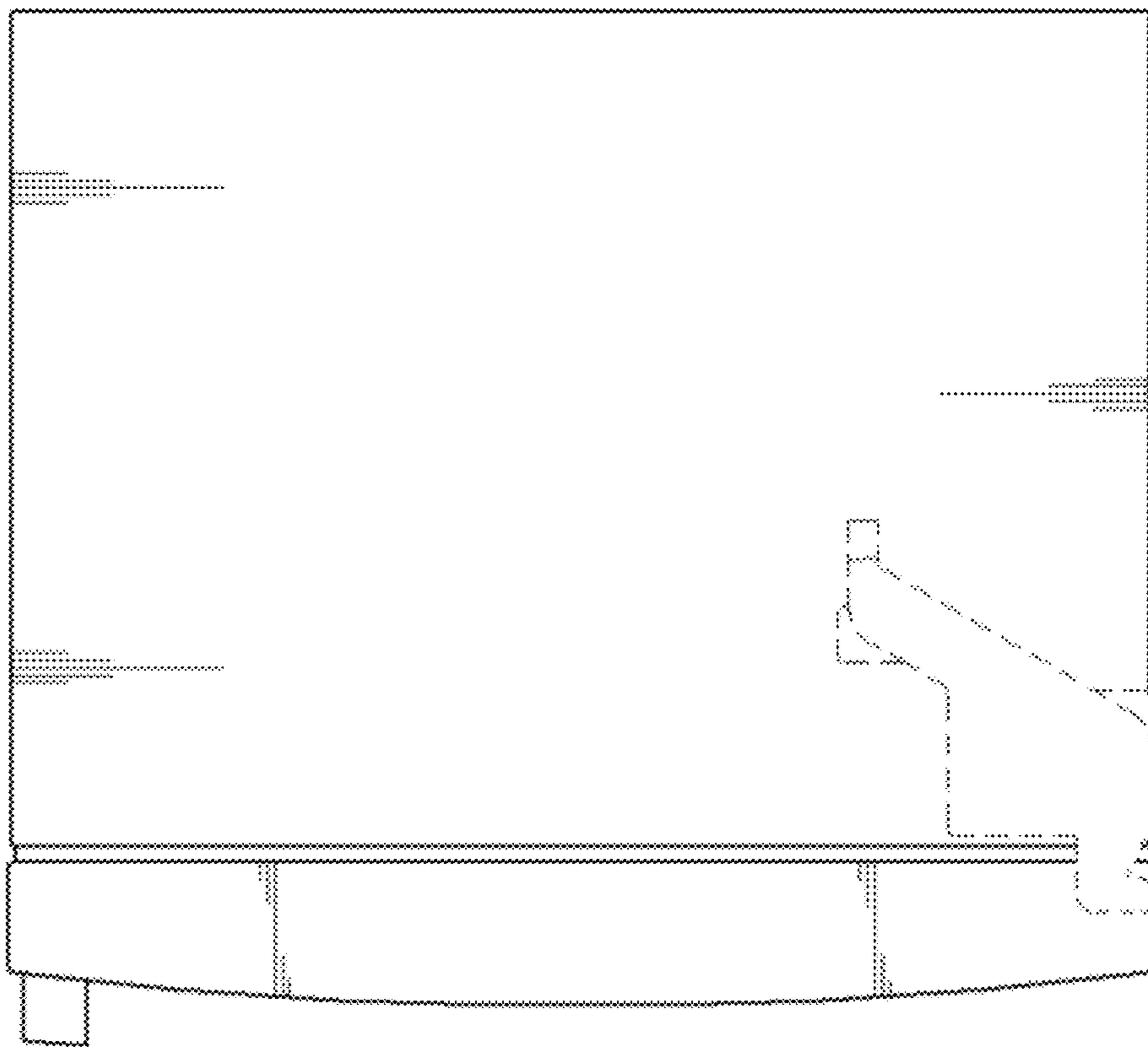
1.4



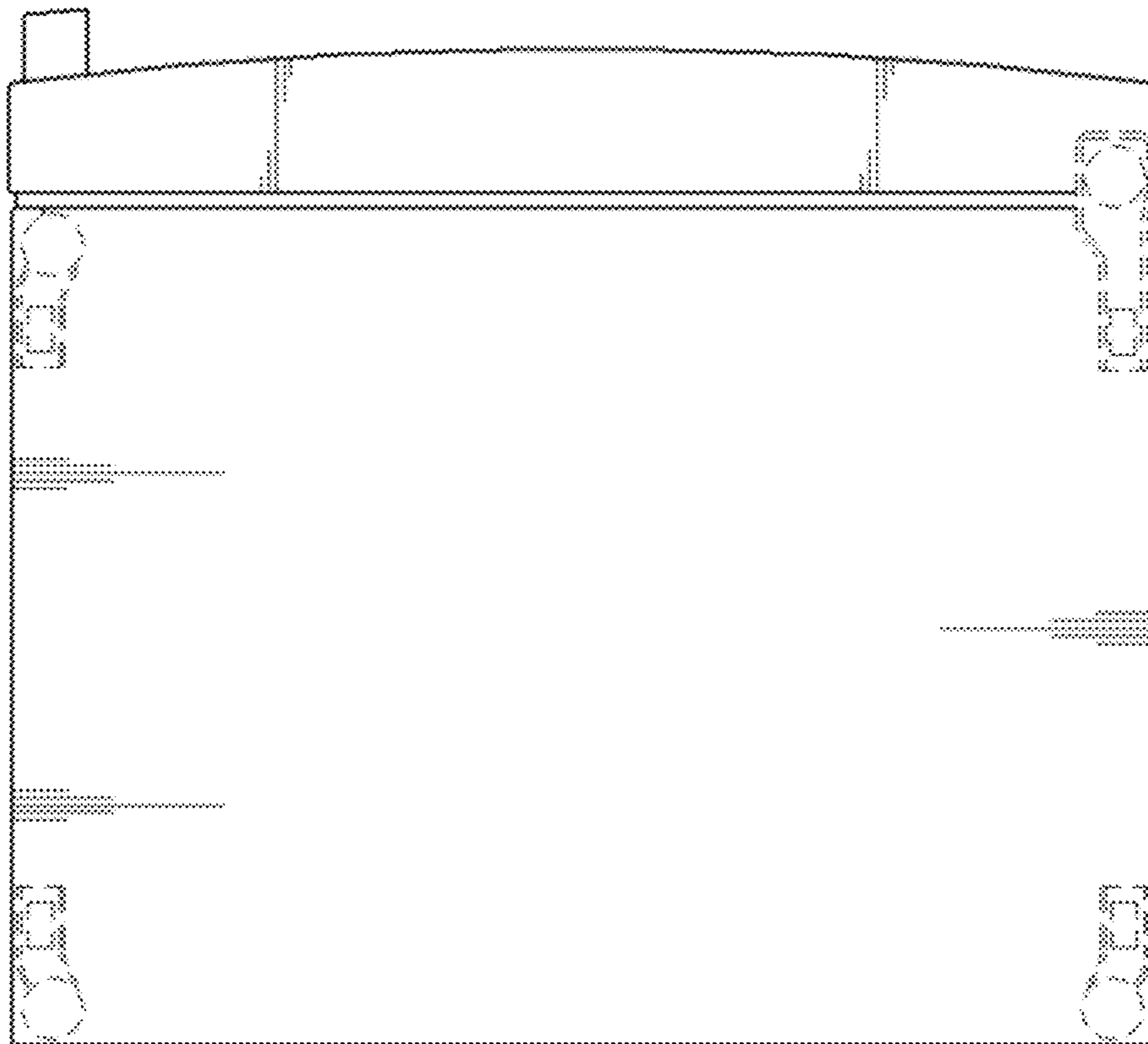
1.5



1.6



1.7



1.8

