



US00D838296S

(12) **United States Design Patent**  
**Zubelli**

(10) **Patent No.:** **US D838,296 S**  
(45) **Date of Patent:** **\*\* Jan. 15, 2019**

(54) **SOWING DEVICE**

A01B 61/048; A01B 5/04; A01B 49/027;  
A01C 7/208; A01C 7/18; A01C 7/00

(71) Applicant: **MATERMACC S.P.A.**, San Vito Al  
Tagliamento (IT)

See application file for complete search history.

(72) Inventor: **Massimo Zubelli**, Gualtieri (IT)

(56) **References Cited**

(73) Assignee: **MATERMACC S.P.A.**, San Vito Al  
Tagliamento (PN) (IT)

U.S. PATENT DOCUMENTS

(\*\*) Term: **15 Years**

D469,782 S *	2/2003	Paluch	.....	D15/10
D469,783 S *	2/2003	Paluch	.....	D15/10
D559,868 S *	1/2008	Nanlawala	.....	D15/10
D598,936 S *	8/2009	Hall	.....	D15/11
D644,253 S *	8/2011	Donadon	.....	D15/10
D760,810 S *	7/2016	Dal Moro	.....	D15/27
D762,738 S *	8/2016	Dal Moro	.....	D15/27
D766,992 S *	9/2016	Anderson	.....	D15/10
D767,642 S *	9/2016	Anderson	.....	D15/10
D768,729 S *	10/2016	Long	.....	D15/10

(21) Appl. No.: **35/501,733**

(22) Filed: **Apr. 20, 2016**

\* cited by examiner

(80) **Hague Agreement Data**

Int. Filing Date: **Apr. 20, 2016**  
Int. Reg. No.: **DM/090518**  
Int. Reg. Date: **Apr. 20, 2016**  
Int. Reg. Pub. Date: **Oct. 21, 2016**

*Primary Examiner* — Richard E Chilcot  
(74) *Attorney, Agent, or Firm* — Browdy and Neimark,  
P.L.L.C.

(30) **Foreign Application Priority Data**

Nov. 6, 2015 (EM) ..... 002849604-0001

(51) **LOC (11) Cl.** ..... **15-03**

(52) **U.S. Cl.**  
USPC ..... **D15/27**  
CPC ..... **A01B 73/00** (2013.01)

(58) **Field of Classification Search**  
USPC ..... D15/10, 12, 27, 28; 56/15.8, 15.9;  
172/210, 311, 456, 466, 481, 484, 605,  
172/626, 776, 507, 538, 518; 280/411.1,  
280/412, 413, 415 R, 482, 656; 111/157,  
111/170, 149, 139, 140, 900, 924  
CPC ..... A01B 73/065; A01B 73/005; A01B 73/00;  
A01B 73/02; A01B 73/04; A01B 73/06;  
A01B 49/06; A01B 49/00; A01B 61/044;

(57) **CLAIM**

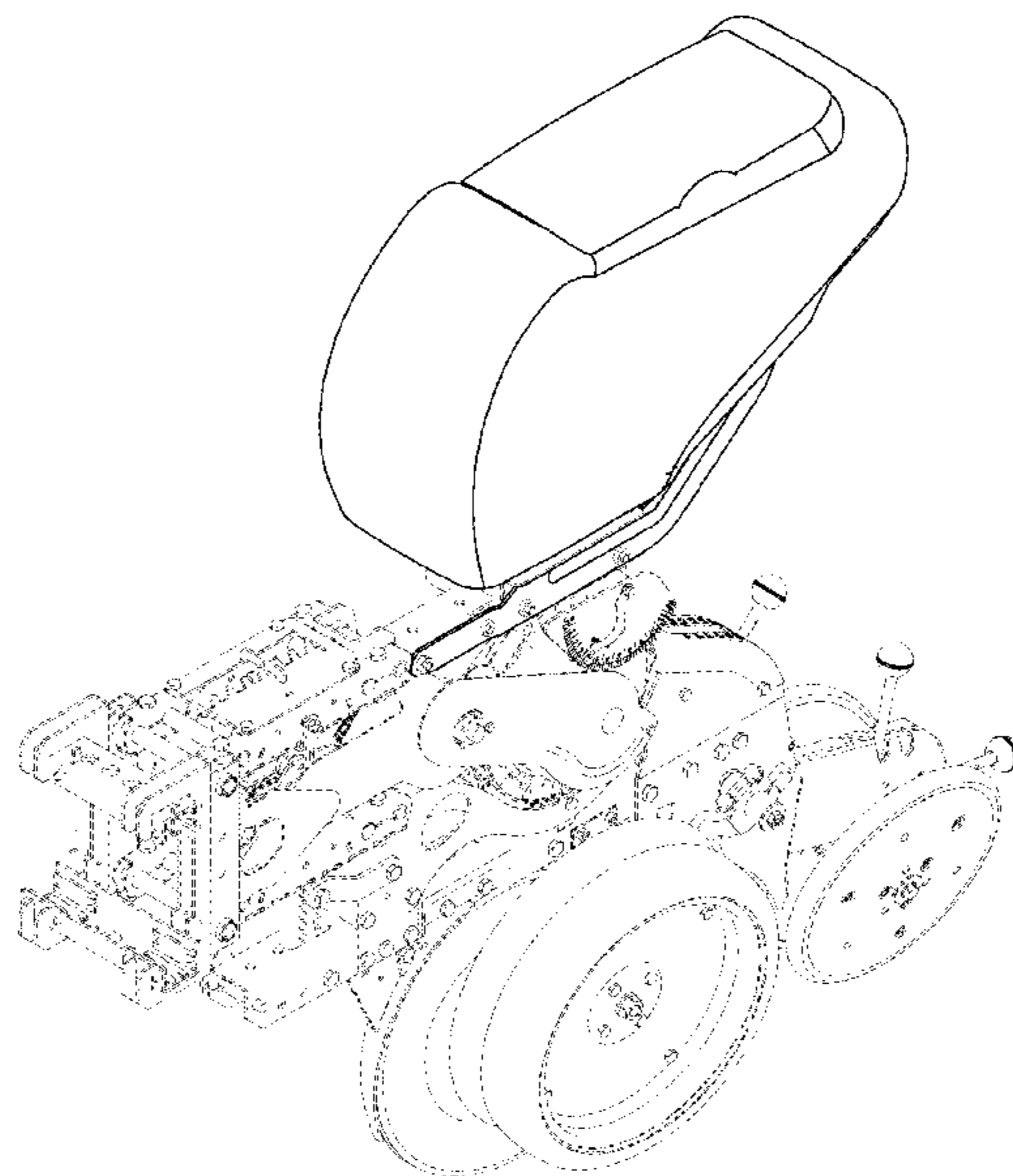
The ornamental design for a sowing device, as shown and described.

**DESCRIPTION**

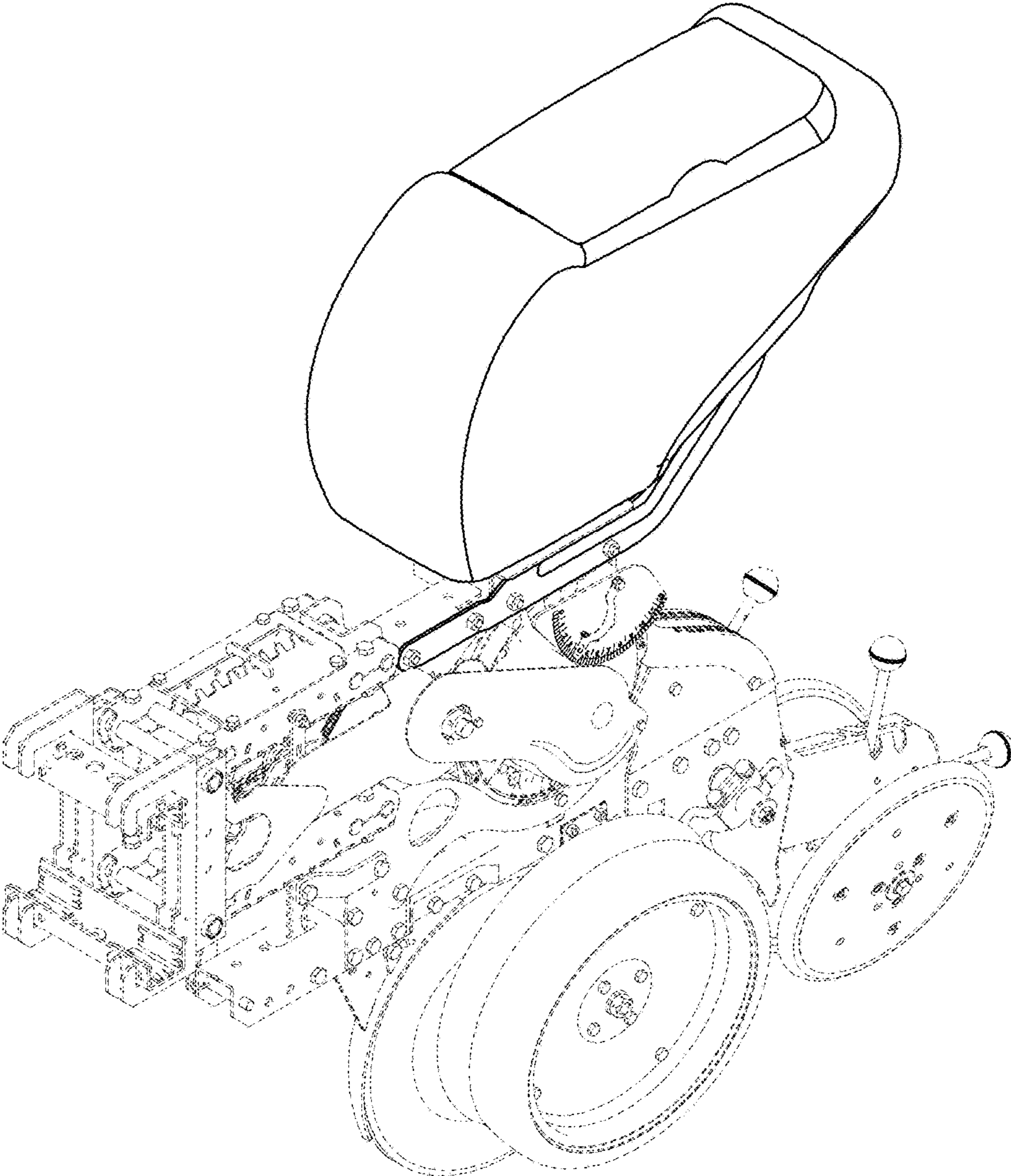
1. Sowing device
- 1.1 : Perspective
- 1.2 : Right
- 1.3 : Left
- 1.4 : Front
- 1.5 : Back
- 1.6 : Bottom
- 1.7 : Top

The broken lines represent portions of the sowing device that form no part of the claimed design.

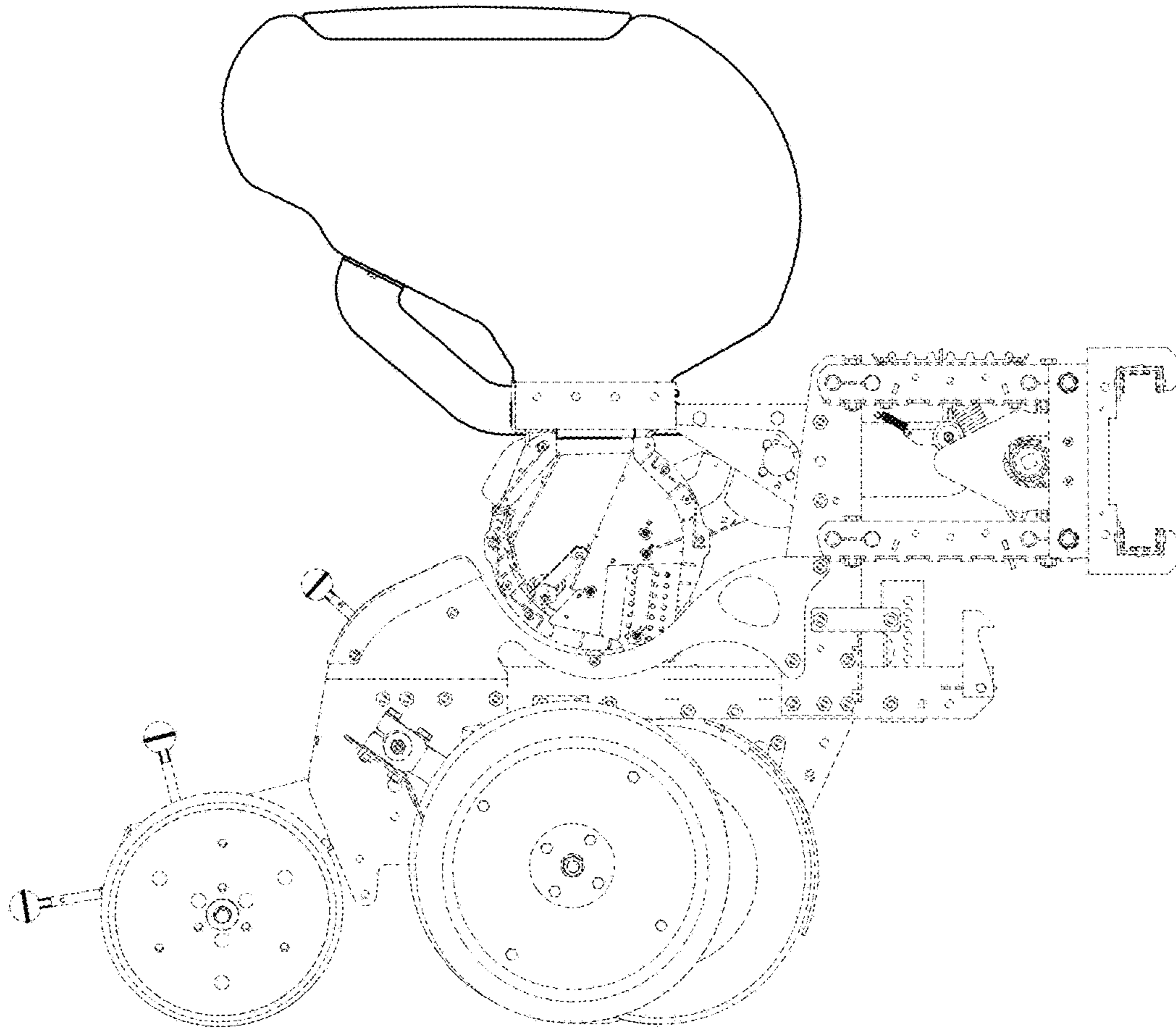
**1 Claim, 7 Drawing Sheets**



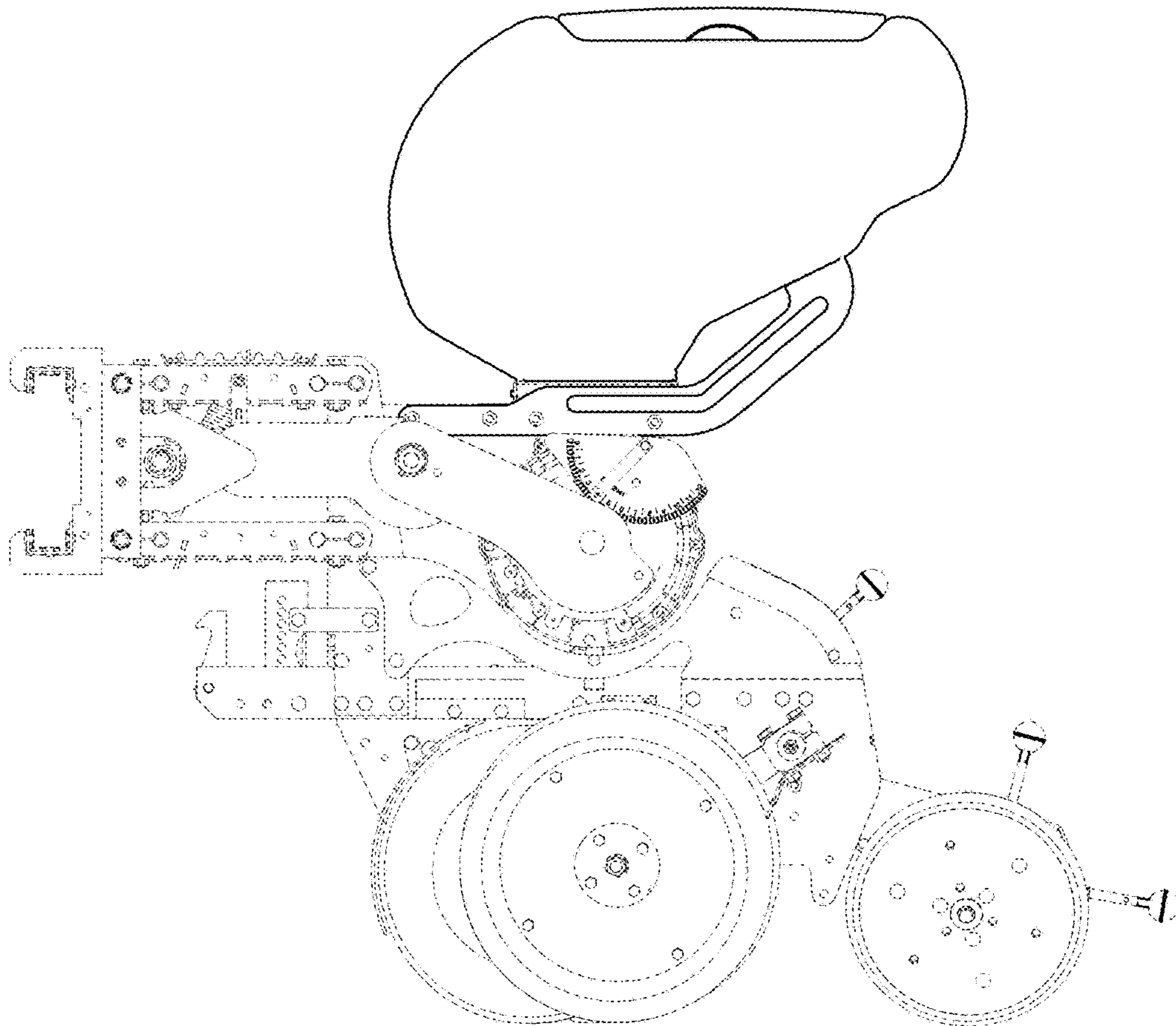
1.1



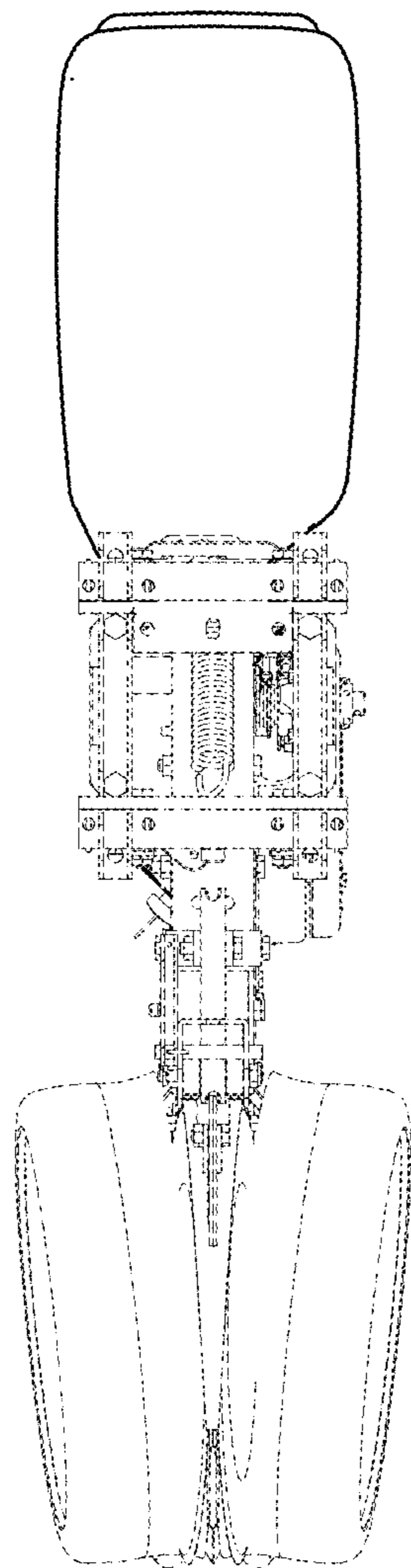
1.2



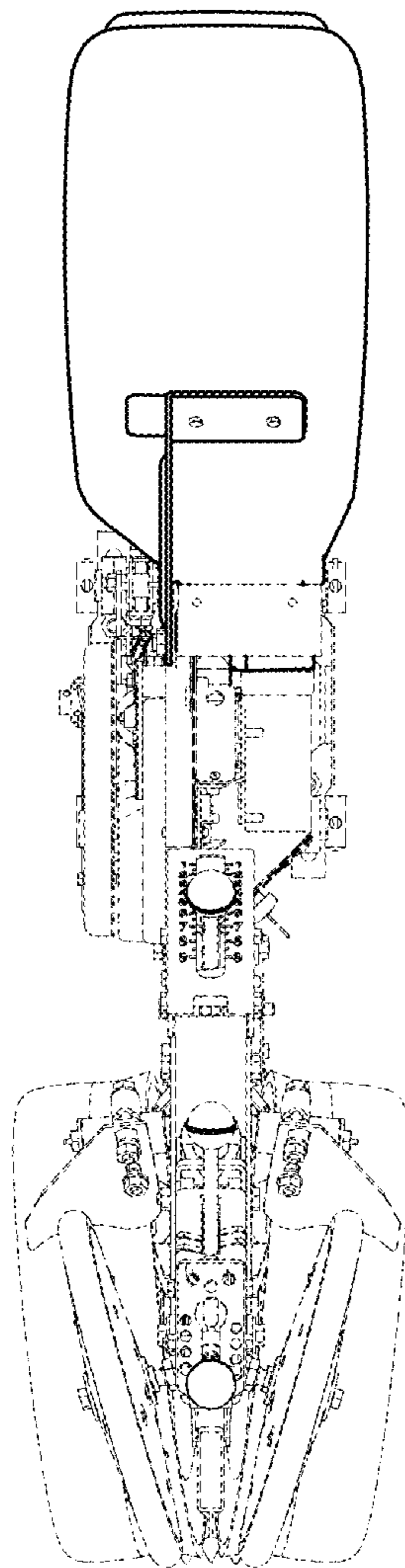
1.3



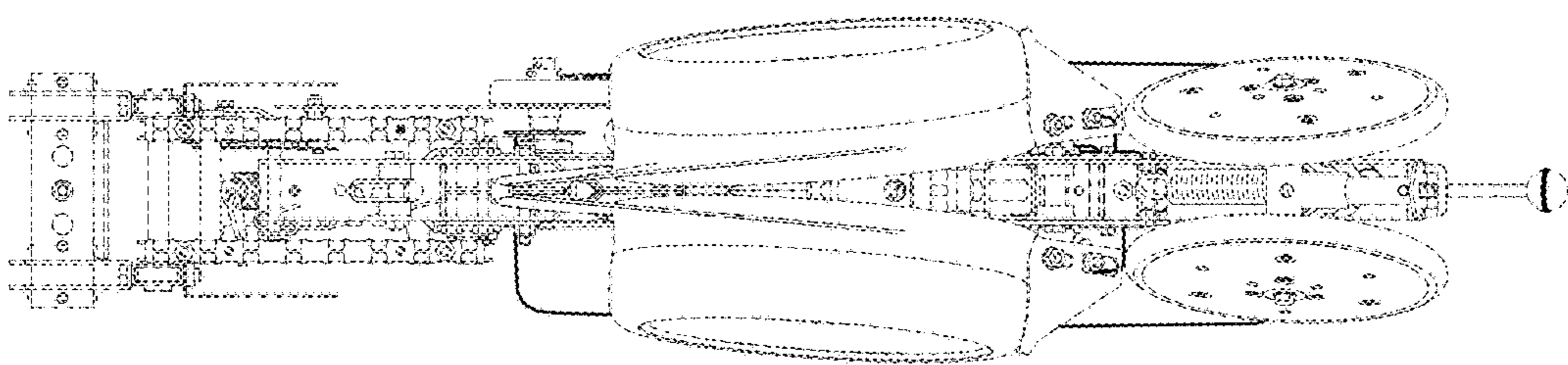
1.4



1.5



1.6



1.7

