



US00D838295S

(12) **United States Design Patent**
Schwalbe et al.

(10) **Patent No.:** **US D838,295 S**
(45) **Date of Patent:** **** Jan. 15, 2019**

(54) **AGRICULTURAL SPRAYER**

(71) Applicant: **CNH Industrial America LLC**, New Holland, PA (US)
(72) Inventors: **Blaine A. Schwalbe**, Valders, WI (US); **Karl M. Luebke**, Holstein, WI (US); **Nathan P. Brooks**, Manitowoc, WI (US); **Douglas Montgomery**, Downers Grove, IL (US); **Roy A. Bittner**, Cato, WI (US); **Lawrence R. Borucki, Jr.**, Oostrburg, WI (US); **Steven N. Winkel**, Kiel, WI (US); **Michael Bertotto**, Chilton, WI (US); **Ross P. Christiansen**, Kiel, WI (US); **Andrew D. Jacobson**, Manitowoc, WI (US)

(73) Assignee: **CNH Industrial America LLC**, New Holland, PA (US)

(**) Term: **15 Years**

(21) Appl. No.: **29/622,600**

(22) Filed: **Oct. 18, 2017**

(51) **LOC (11) Cl.** **15-03**

(52) **U.S. Cl.**
USPC **D15/26**

(58) **Field of Classification Search**
USPC D15/10-12, 22-26, 28; 56/14.5-14.7, 56/16.6, 122-125; 296/190, 191; 460/83, 119; 180/89.1, 89.12
CPC A01B 73/00; A01D 75/00; A01D 41/06; A01D 41/1208; A01D 41/00; A01D 67/00; A01D 45/00; A01D 45/02; A01D 45/021; A01D 43/081

See application file for complete search history.

(56) **References Cited**

U.S. PATENT DOCUMENTS

D212,845 S * 12/1968 Jones D12/95
D245,331 S * 8/1977 Tangeman D15/13

D309,738 S * 8/1990 Schober D15/26
5,039,129 A * 8/1991 Balmer B60G 3/04
180/209
5,267,696 A * 12/1993 Balmer A01M 11/00
239/172
D344,737 S * 3/1994 Long D15/13
5,335,739 A * 8/1994 Pieterse B62D 9/00
180/242
D351,843 S * 10/1994 Larson D15/13
D355,919 S * 2/1995 Larson D15/13

(Continued)

Primary Examiner — Mark A Goodwin
(74) *Attorney, Agent, or Firm* — Rebecca L. Henkel;
Rickard K. DeMille

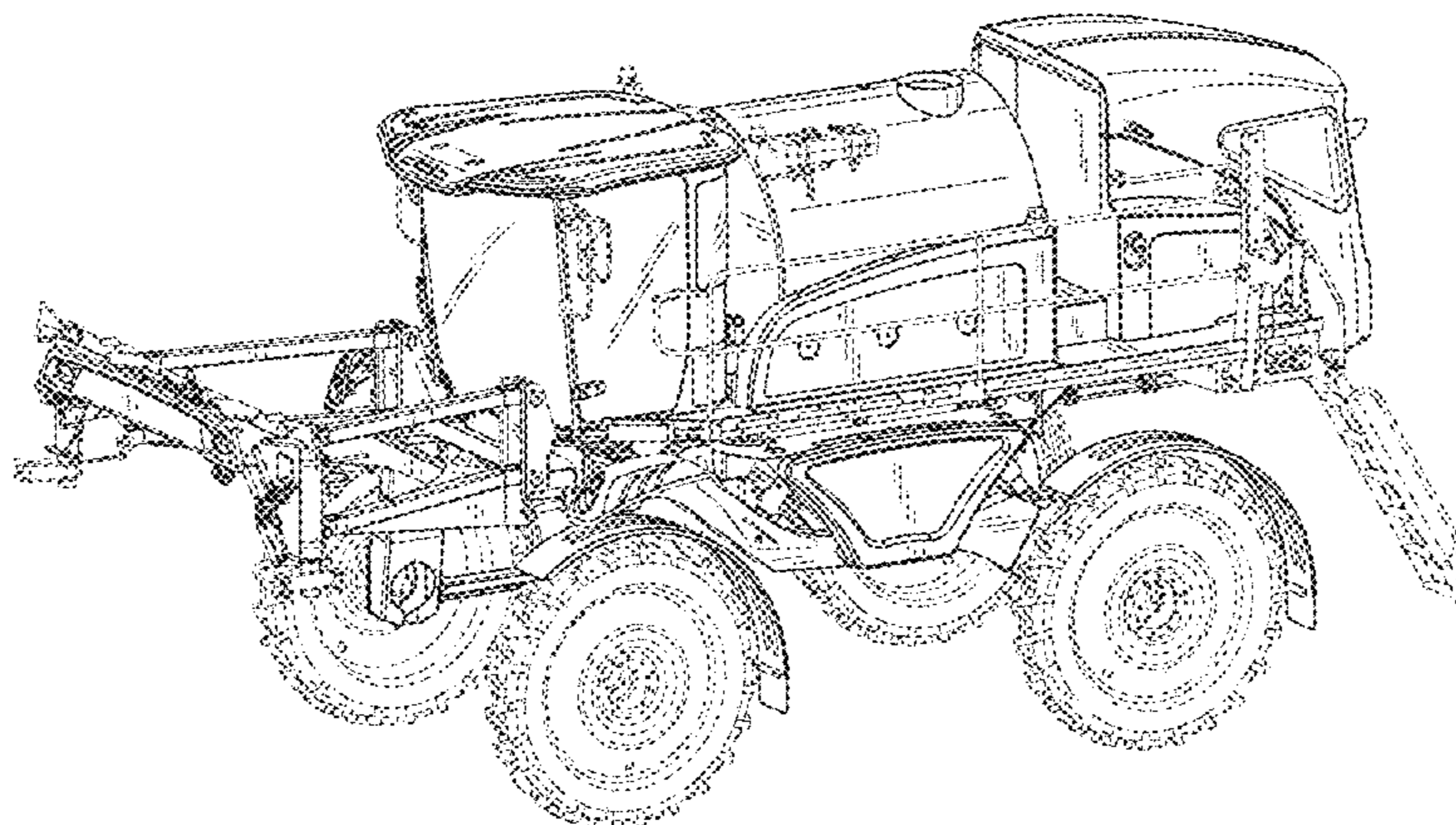
(57) **CLAIM**

The ornamental design for an agricultural sprayer, as shown and described.

DESCRIPTION

FIG. 1 is an isometric view of an agricultural sprayer in accordance with the present invention;
FIG. 2 is a side elevation of a first side of the agricultural sprayer of FIG. 1;
FIG. 3 is a side elevation of a second side of the agricultural sprayer FIG. 1;
FIG. 4 is a front elevation of the agricultural sprayer of FIG. 1;
FIG. 5 is a rear elevation of the agricultural sprayer of FIG. 1;
FIG. 6 is a top plan view of the agricultural sprayer of FIG. 1; and,
FIG. 7 is a bottom plan view of the agricultural sprayer of FIG. 1.
The broken line showing of the wheels and other surface elements is included for the purpose of illustrating portions of the agricultural sprayer and forms no part of the claimed design.

1 Claim, 7 Drawing Sheets



(56)

References Cited

U.S. PATENT DOCUMENTS

6,253,691 B1 * 7/2001 McQuinn A01C 23/00
111/118
6,708,631 B1 * 3/2004 McQuinn A01C 7/081
111/174
D566,138 S * 4/2008 Forkert D15/27
7,669,675 B2 * 3/2010 Hagie A01C 23/008
180/22
D639,826 S * 6/2011 Barrelmeyer D15/26
D717,345 S * 11/2014 Budde D15/26
D765,738 S * 9/2016 Treinen D15/28
9,526,202 B2 * 12/2016 Hiddema A01C 23/008
D794,086 S * 8/2017 Thompson D15/26
D797,813 S * 9/2017 Budde D15/26
9,883,668 B2 * 2/2018 Hiddema A01C 23/008
2006/0144970 A1 * 7/2006 Hagie A01C 23/008
239/664
2011/0147497 A1 * 6/2011 Hiddema A01C 23/008
239/722
2016/0374327 A1 * 12/2016 Hiddema A01C 23/008
239/160

* cited by examiner

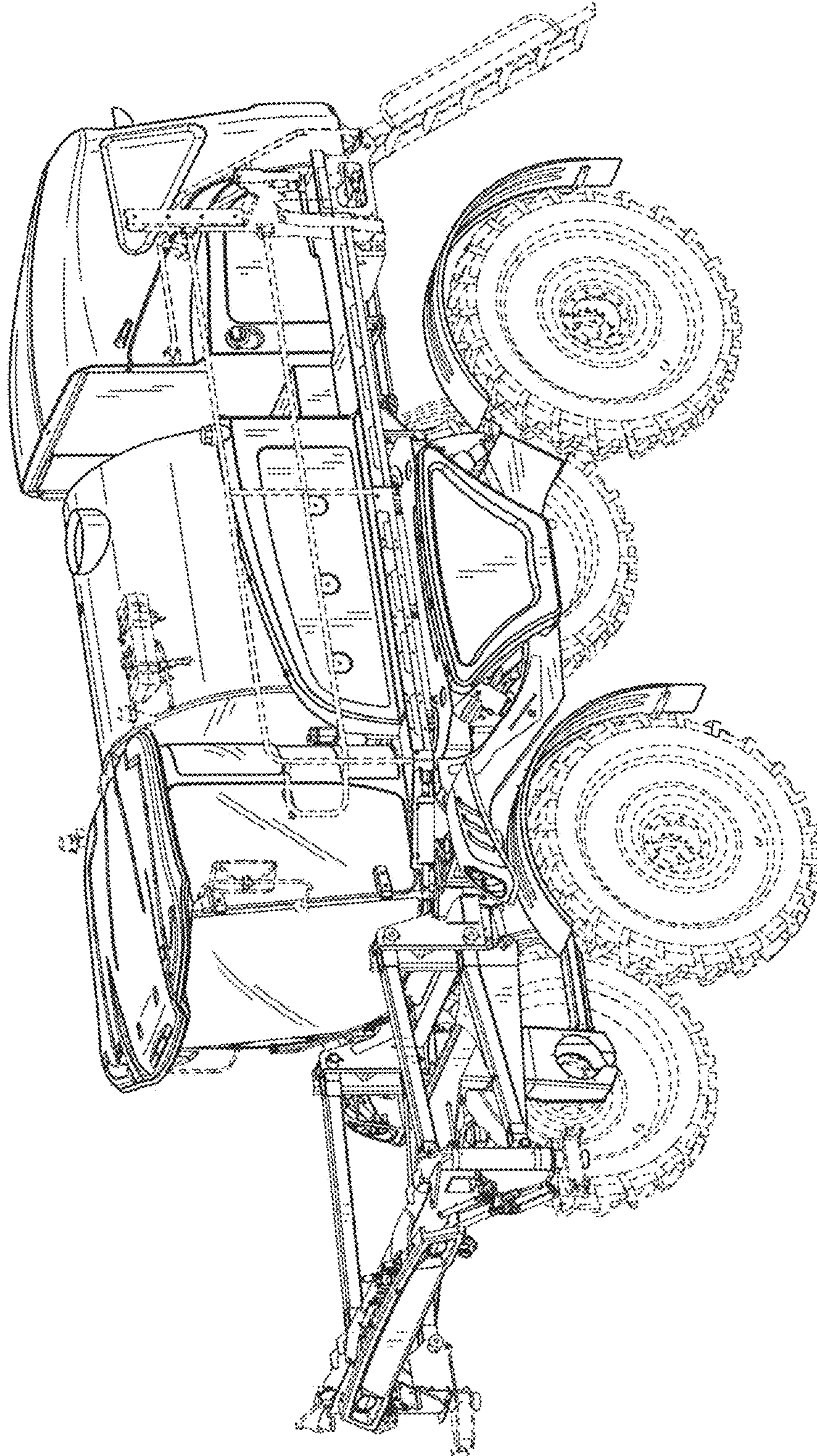


FIG. 1

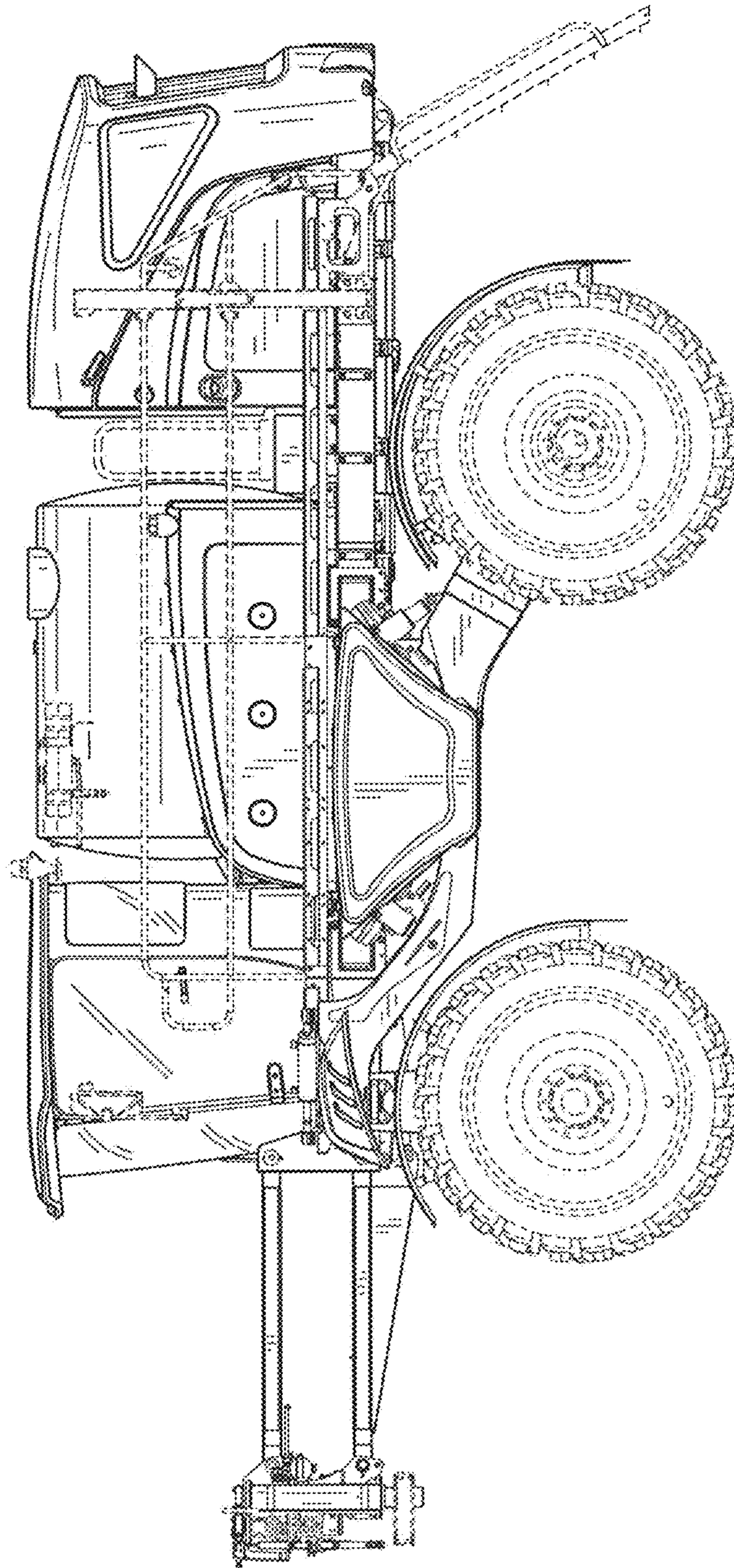


FIG. 2

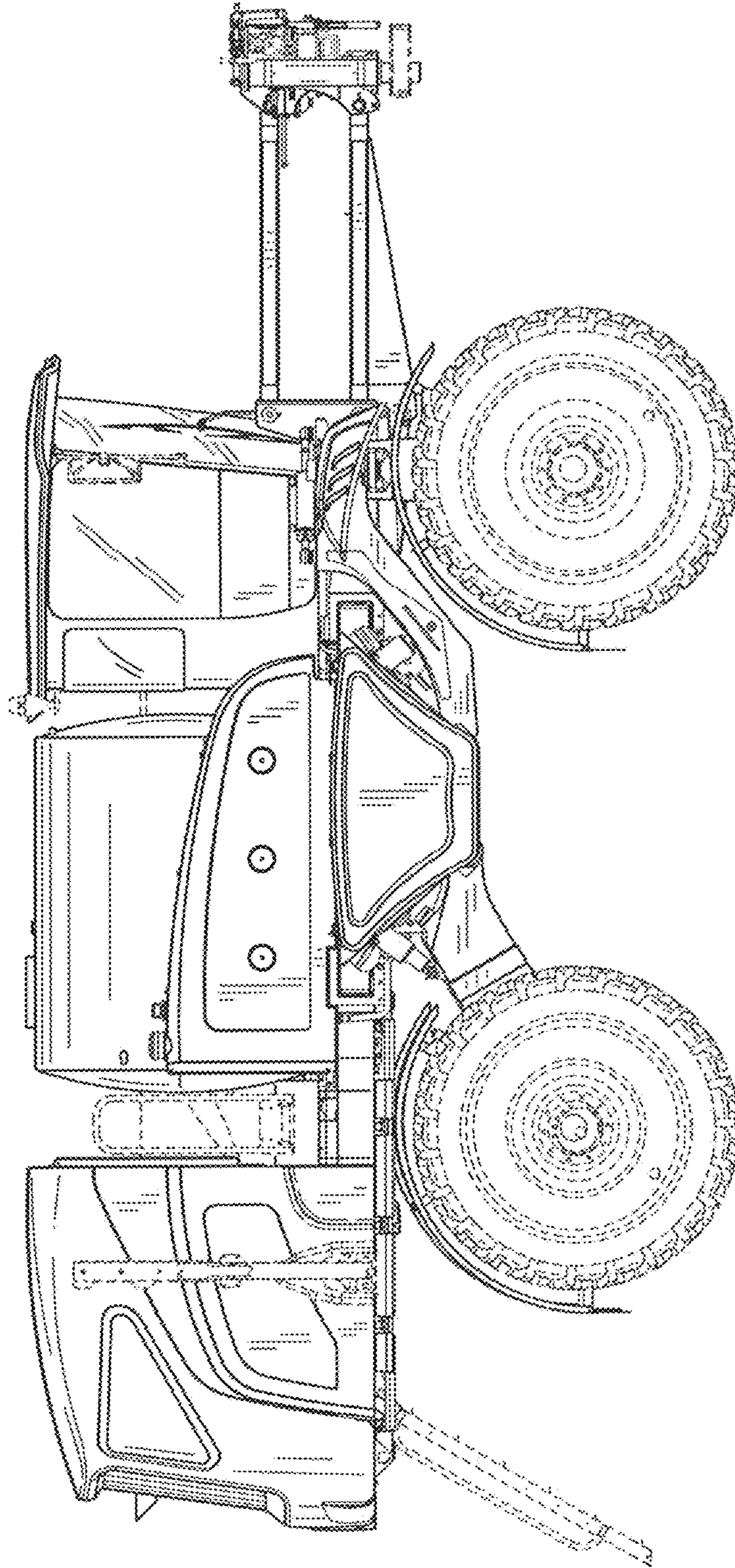


FIG. 3

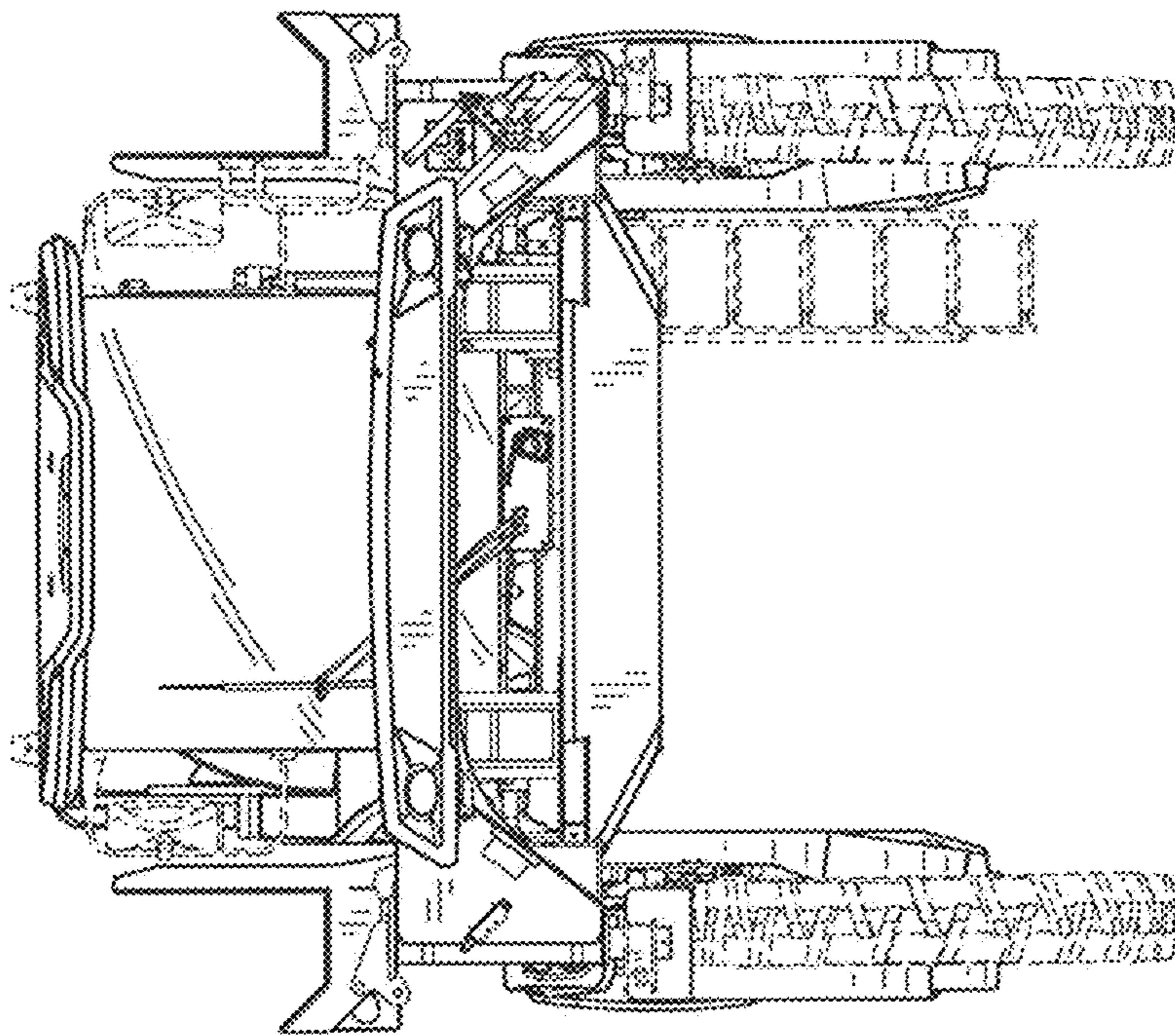


FIG. 4

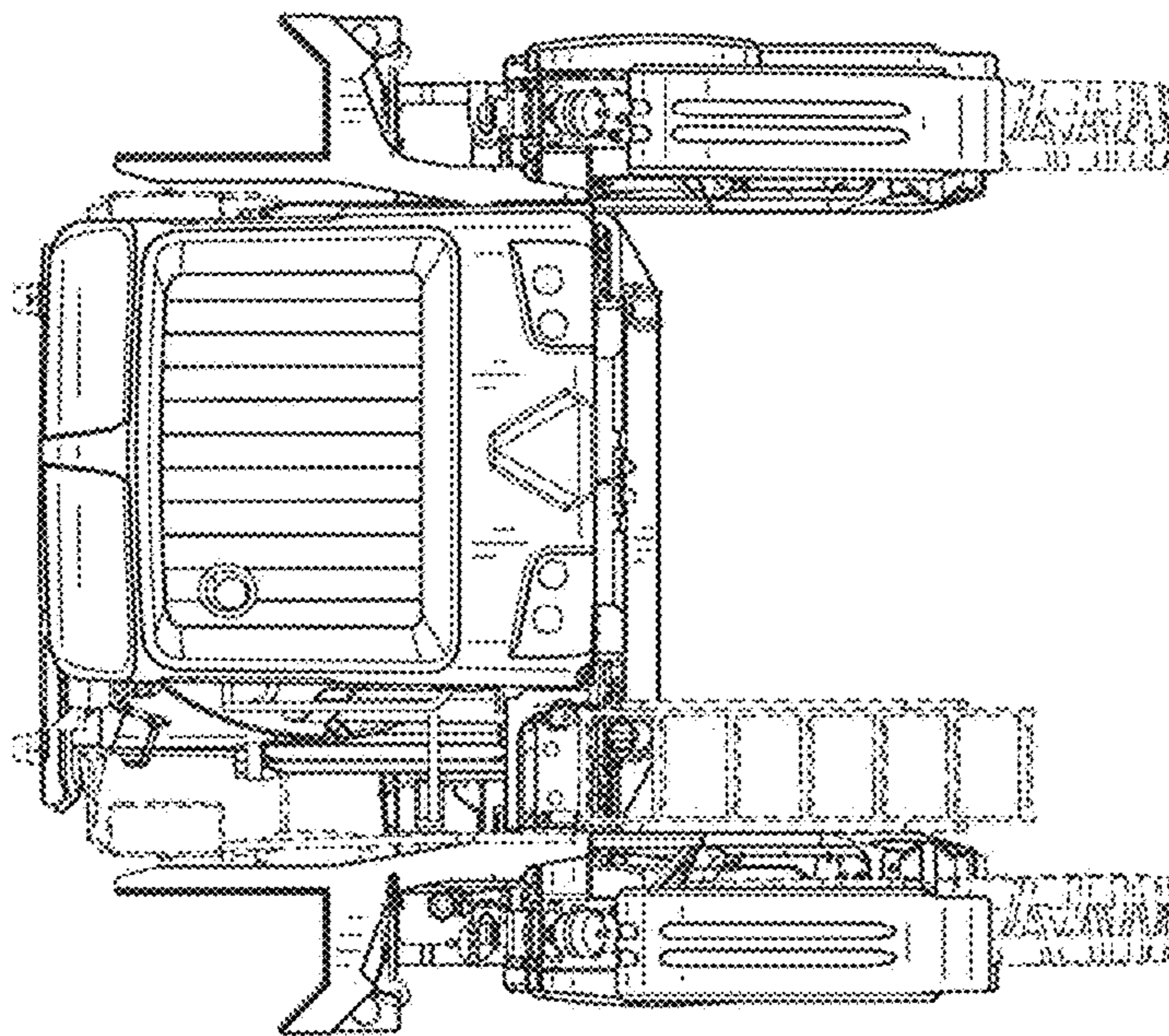


FIG. 5

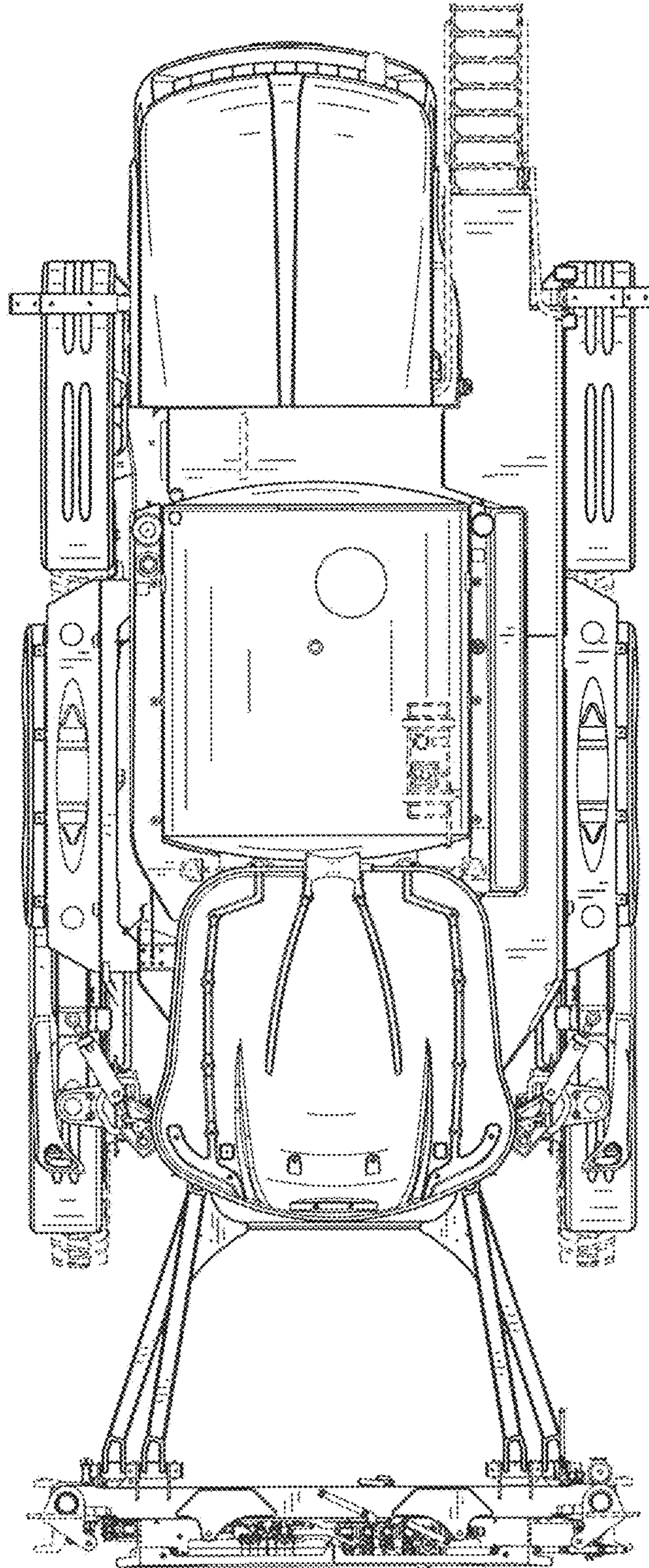


FIG. 6

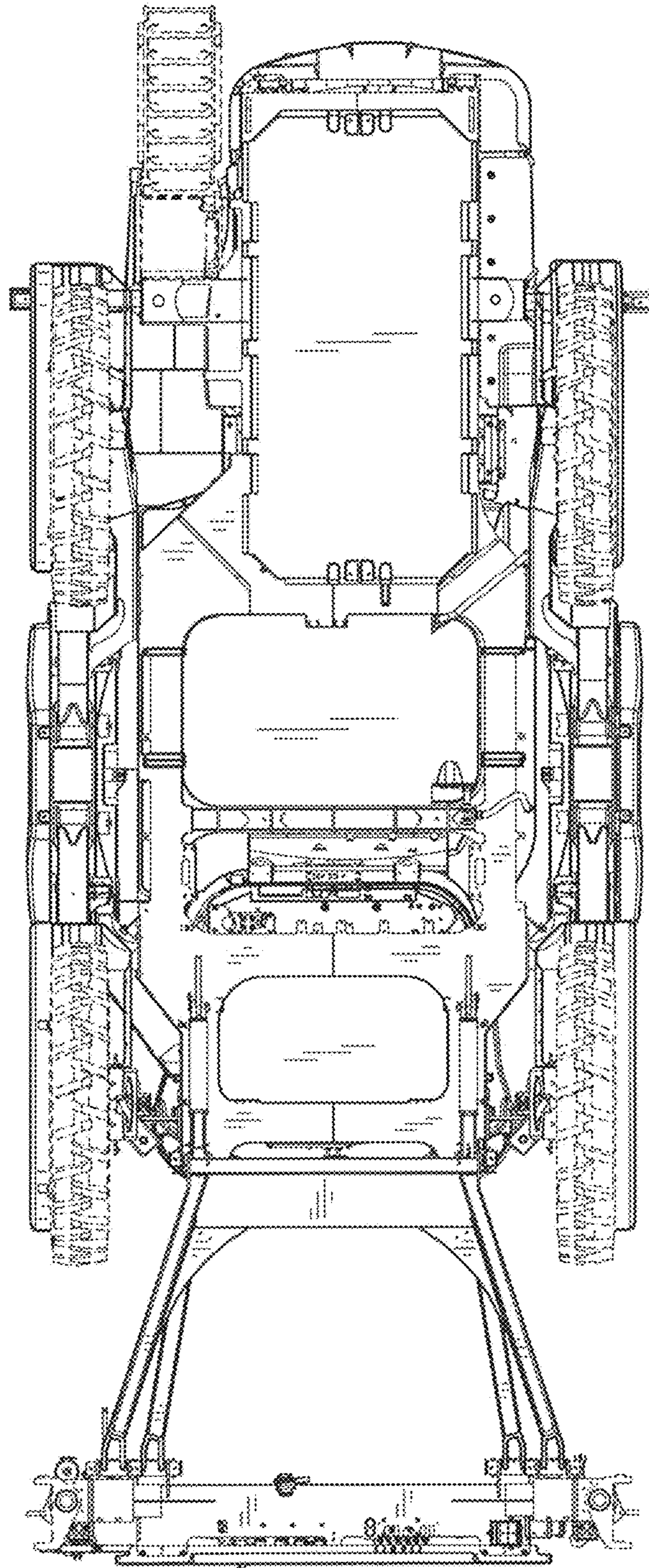


FIG. 7