



US00D838293S

(12) **United States Design Patent**
Sharpstone

(10) **Patent No.:** **US D838,293 S**

(45) **Date of Patent:** **** Jan. 15, 2019**

(54) **TANK PUMP**

(71) Applicant: **Aspen Pumps Limited**, East Sussex
(GB)

(72) Inventor: **Joseph Oliver Sharpstone**, Eastbourne
(GB)

(73) Assignee: **Aspen Pumps Limited**, Hailsham (GB)

(**) Term: **15 Years**

(21) Appl. No.: **29/587,135**

(22) Filed: **Dec. 9, 2016**

(30) **Foreign Application Priority Data**

Jun. 10, 2016 (EM) 003184449

(51) **LOC (11) Cl.** **15-02**

(52) **U.S. Cl.**
USPC **D15/7**

(58) **Field of Classification Search**
USPC D23/225, 231-232; D15/7; 417/48, 443
CPC F04B 43/12; F04B 43/1253
See application file for complete search history.

(56) **References Cited**

U.S. PATENT DOCUMENTS

D307,017 S * 4/1990 Polk D15/7
D316,098 S * 4/1991 Kille D15/7
D338,208 S * 8/1993 Reents D15/7

D340,726 S * 10/1993 Wang D15/7
D572,273 S * 7/2008 Carpenter D15/7
D671,619 S * 11/2012 Tullney D23/225
D712,933 S * 9/2014 DeOreo D15/7
D746,409 S * 12/2015 Mitchell D23/225
D757,825 S * 5/2016 Chevallier D15/7
D800,791 S * 10/2017 Pin, III D15/7
D807,404 S * 1/2018 Mantes D15/7
2017/0258979 A1 * 9/2017 Fulkerson A61M 1/3403

* cited by examiner

Primary Examiner — Robin V Webster

Assistant Examiner — James C Thorn, Sr.

(74) *Attorney, Agent, or Firm* — Workman Nydegger

(57) **CLAIM**

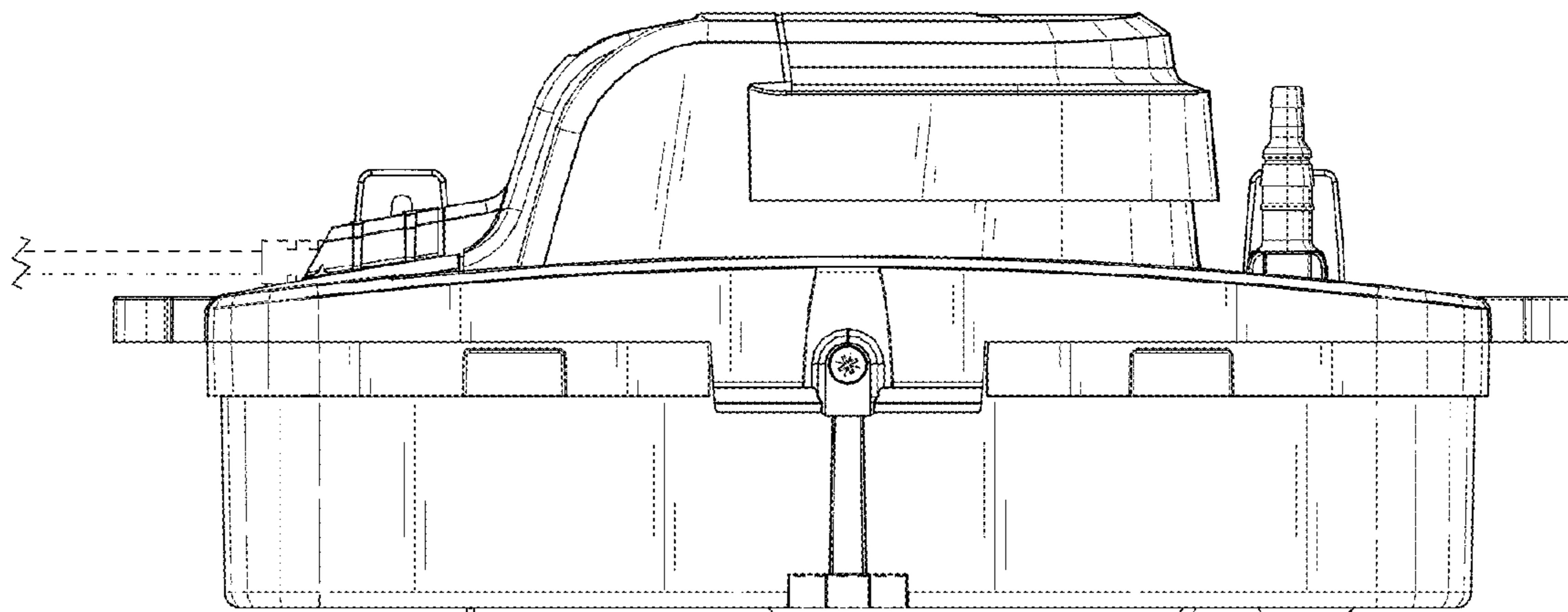
The ornamental design for a tank pump, as shown and described.

DESCRIPTION

FIG. 1 is a right side view of my new design for a tank pump;
FIG. 2 is a left side view thereof;
FIG. 3 is a rear view thereof;
FIG. 4 is a front view thereof;
FIG. 5 is a top plan view thereof;
FIG. 6 is a bottom plan view thereof;
FIG. 7 is a right side perspective view thereof; and,
FIG. 8 is a right side elevation view thereof.

The broken lines in the drawings are for the purpose of illustrating unclaimed portions and form no part of the claimed design.

1 Claim, 5 Drawing Sheets



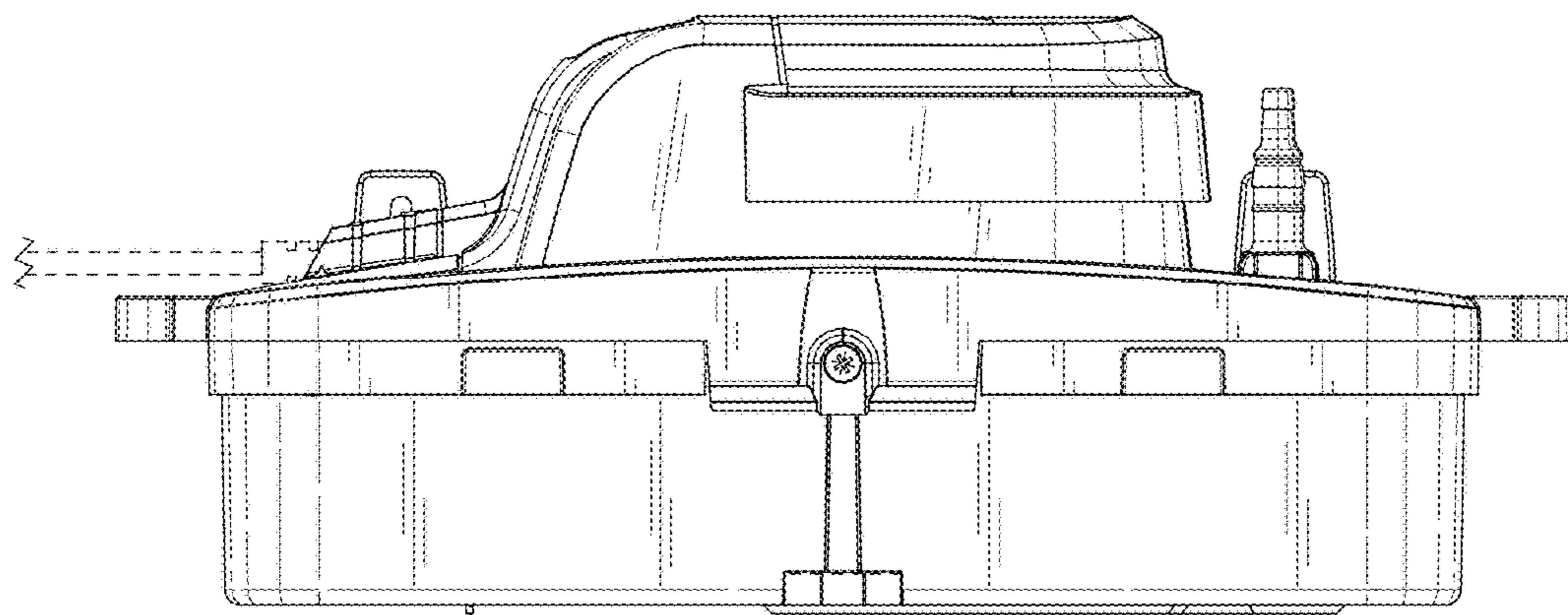


Fig. 1

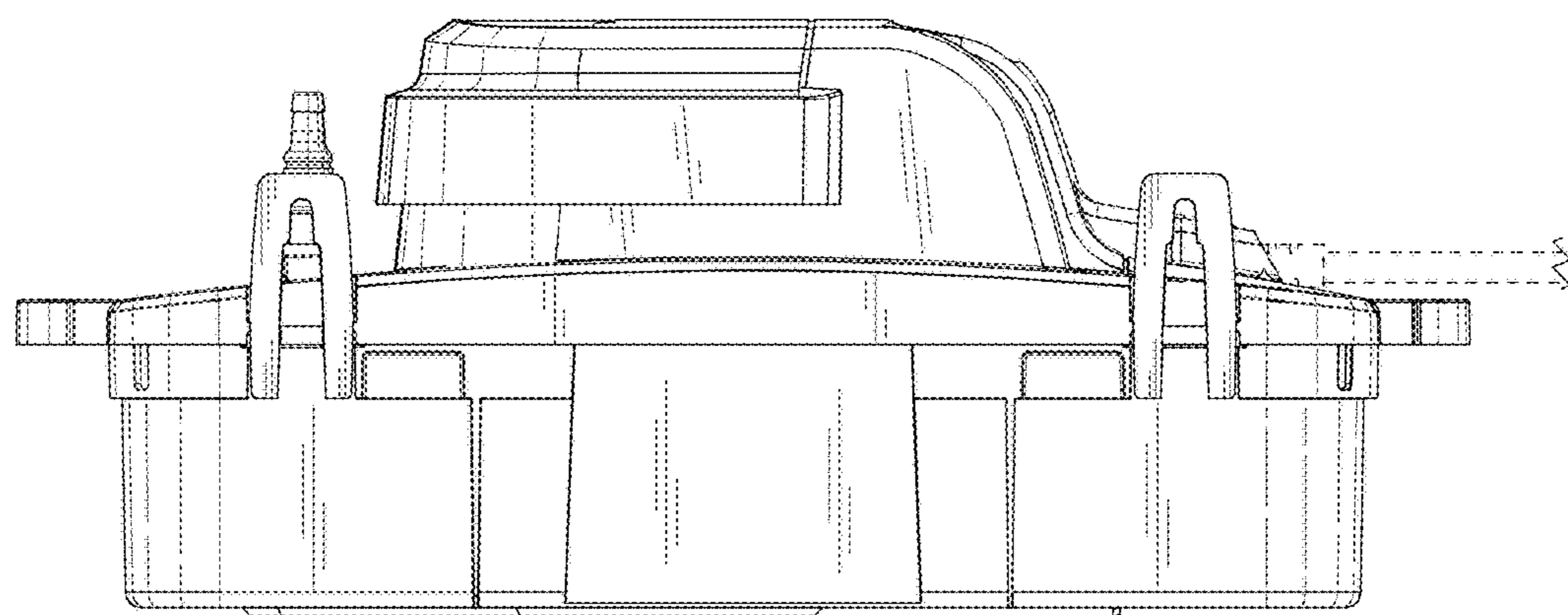


Fig. 2

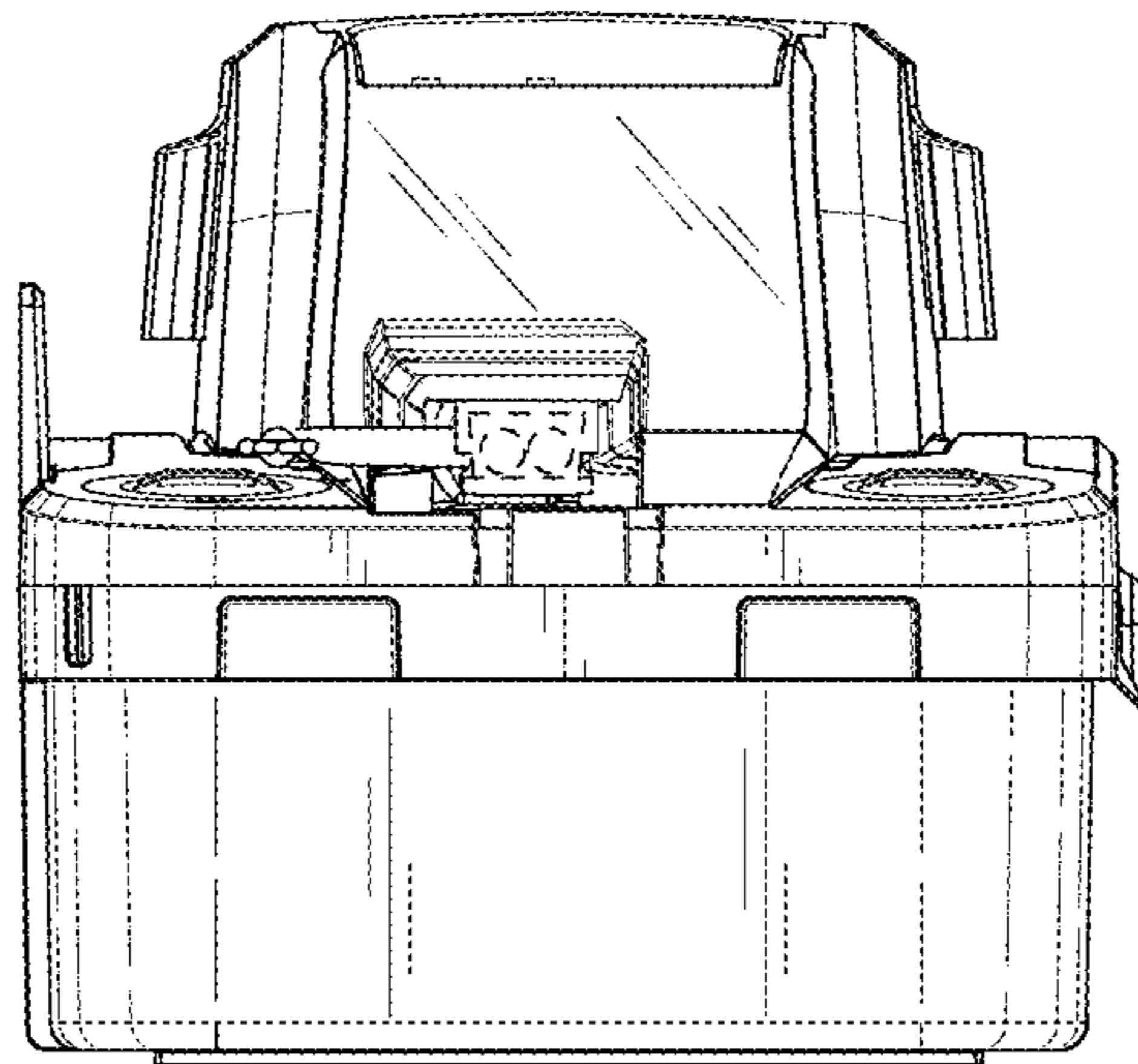


Fig. 3

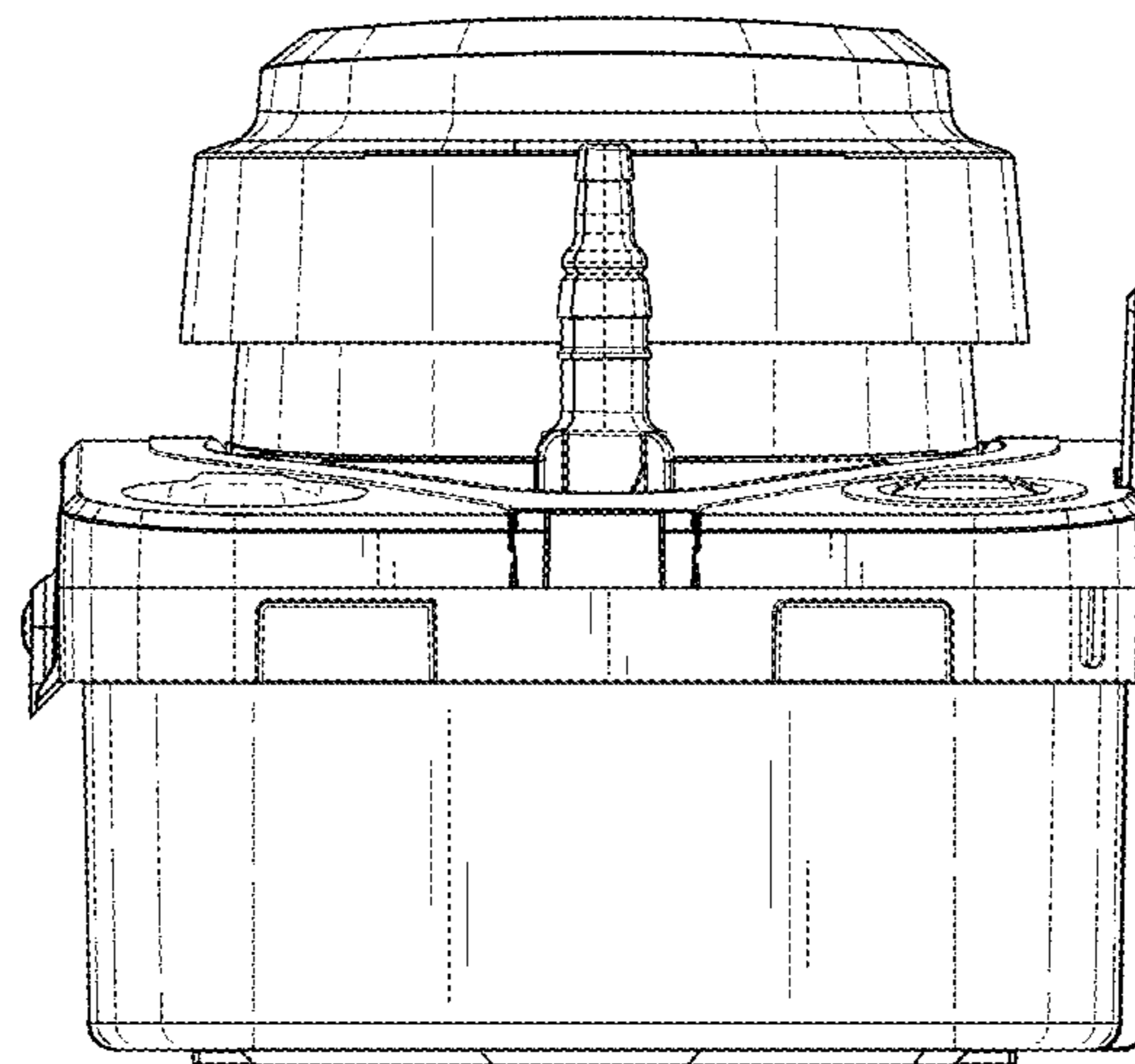


Fig. 4

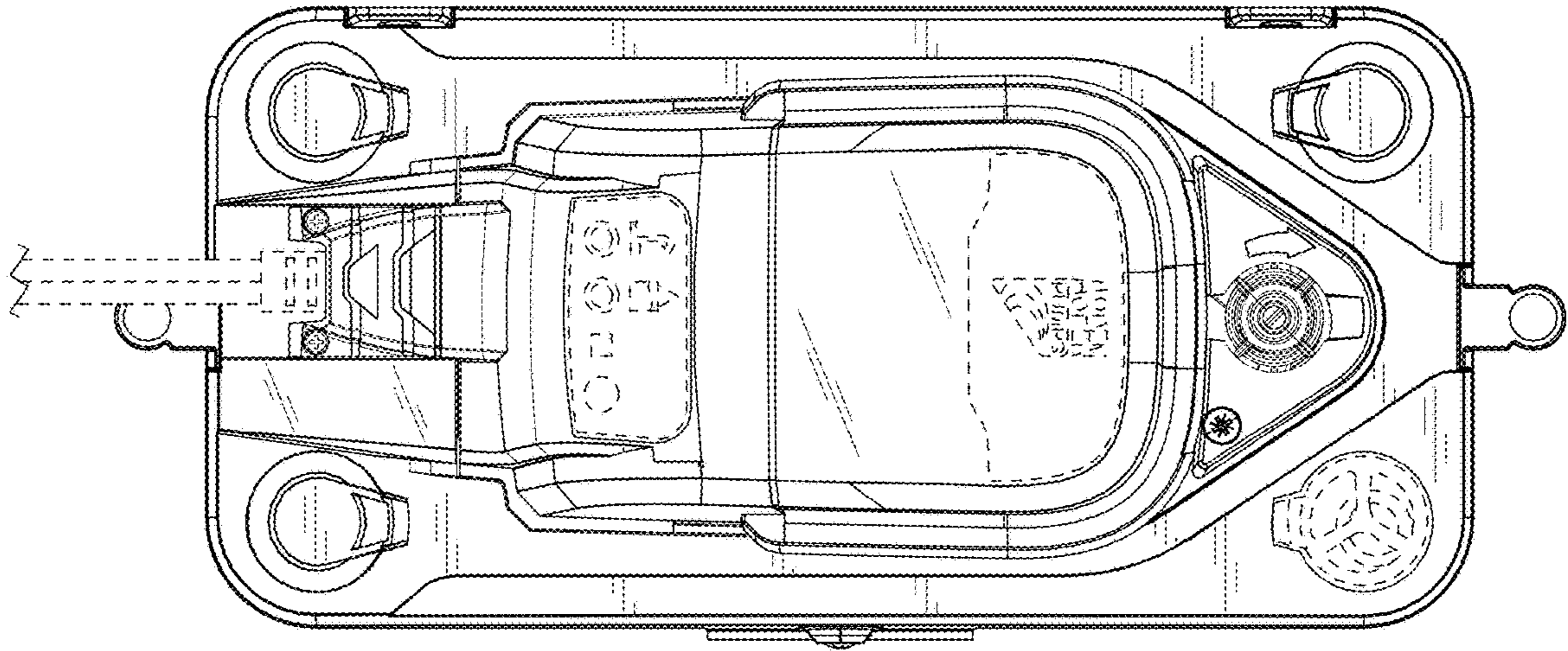


Fig. 5

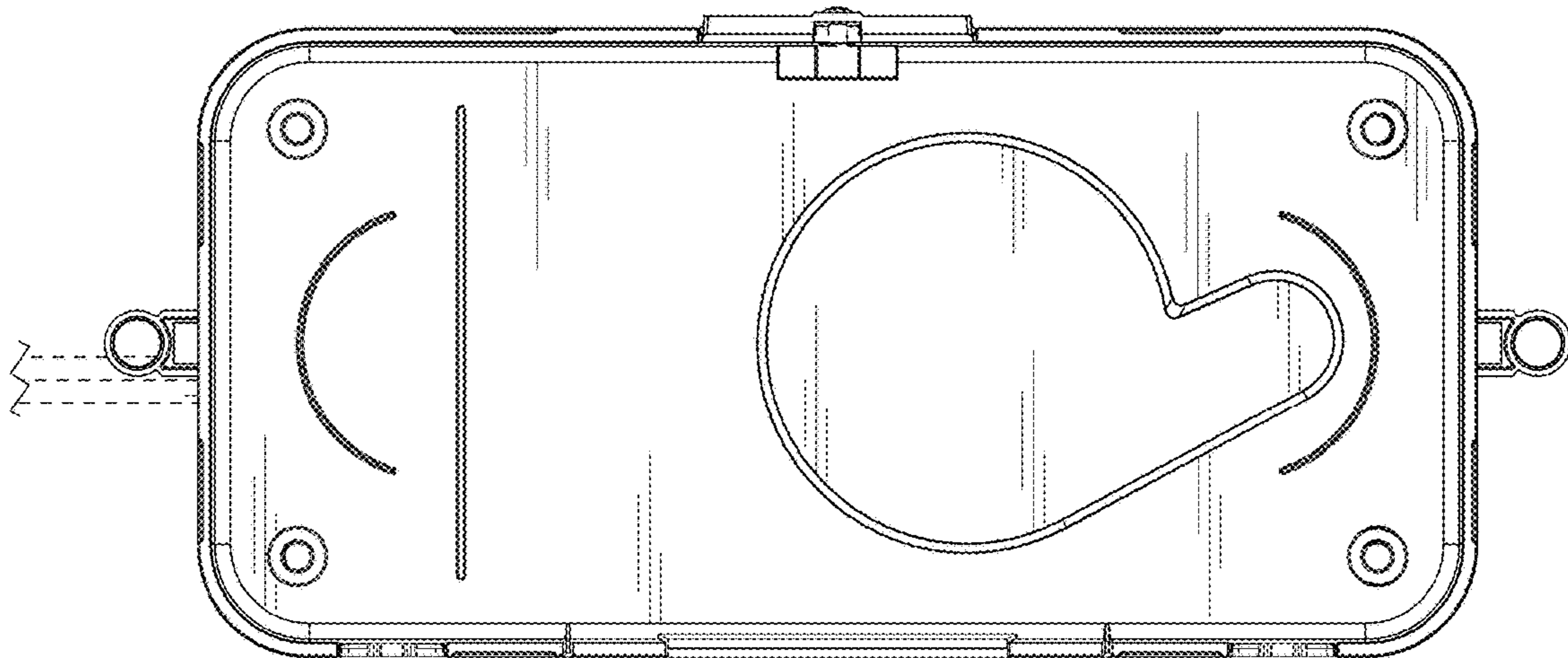


Fig. 6

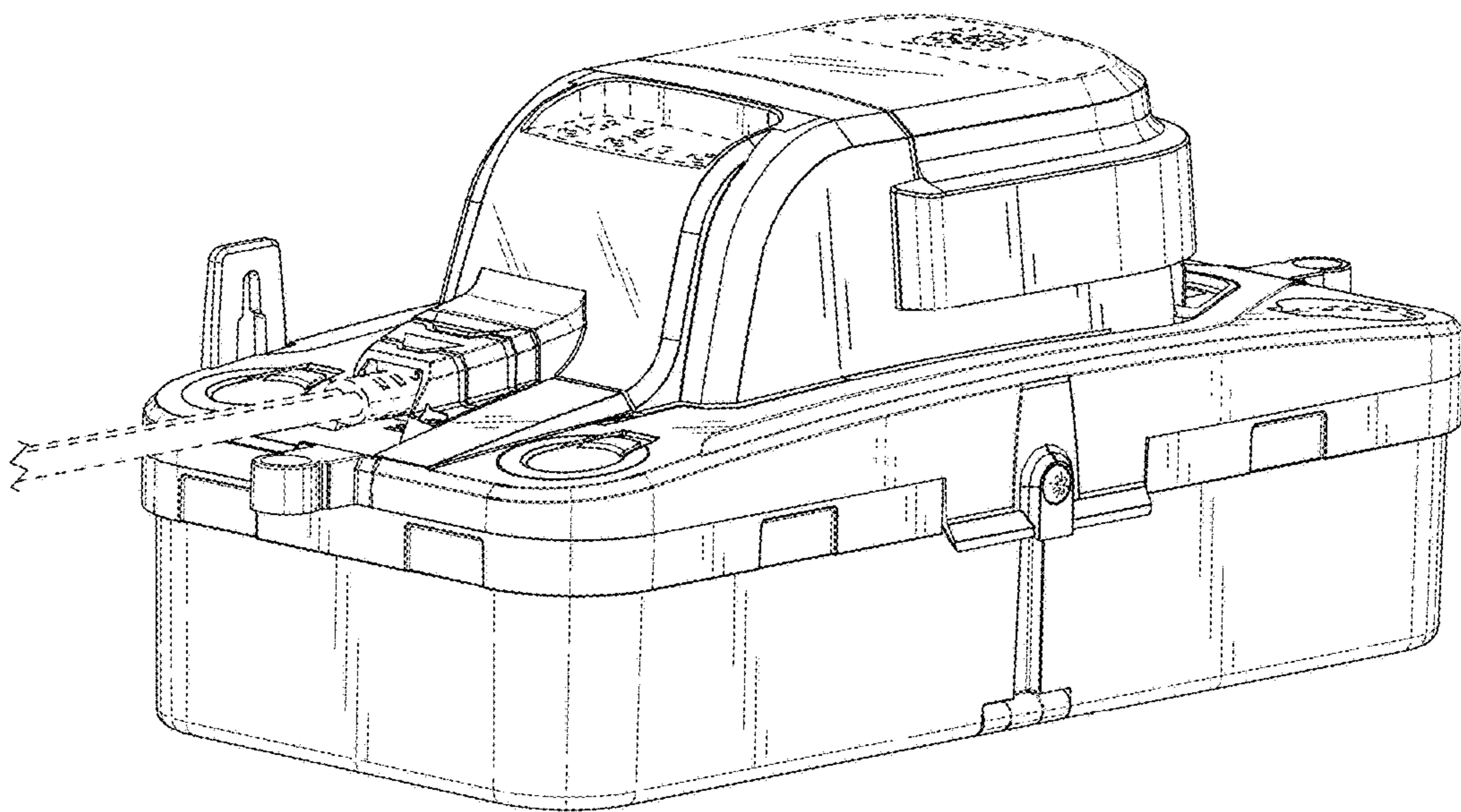


Fig. 7

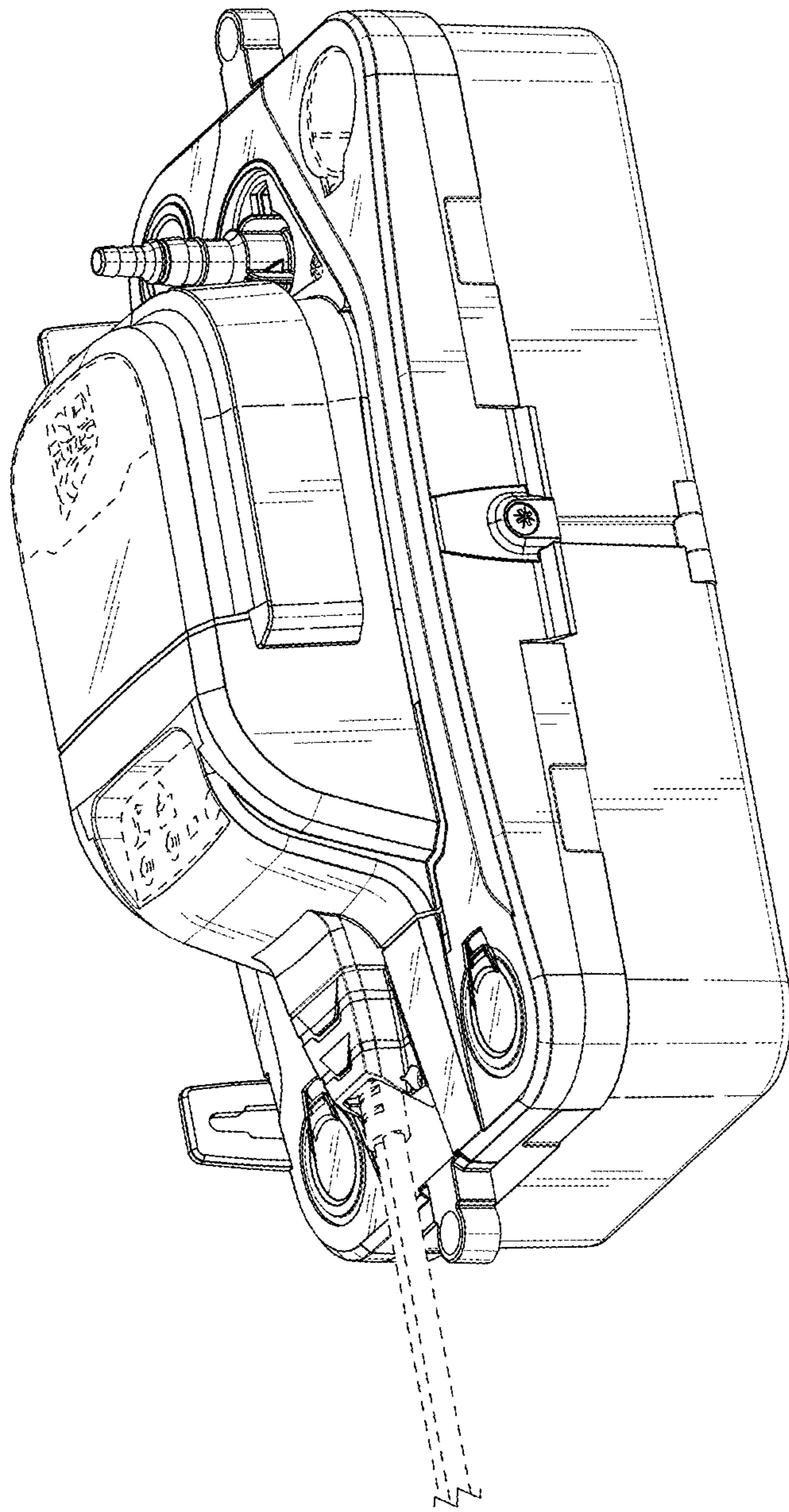


Fig. 8