



US00D838292S

(12) **United States Design Patent**  
**Hummel**

(10) **Patent No.:** **US D838,292 S**  
(45) **Date of Patent:** **\*\* Jan. 15, 2019**

- (54) **ENGINE INTAKE MANIFOLD**
- (71) Applicant: **FULL TILT PERFORMANCE LLC**,  
Jackson, MN (US)
- (72) Inventor: **Terry Hummel**, Jackson, MN (US)
- (73) Assignee: **FULL TILT PERFORMANCE LLC**,  
Jackson, MN (US)
- (\*\*) Term: **15 Years**
- (21) Appl. No.: **29/572,952**
- (22) Filed: **Aug. 1, 2016**
- (51) **LOC (11) Cl.** ..... **15-01**
- (52) **U.S. Cl.**  
USPC ..... **D15/5**
- (58) **Field of Classification Search**  
USPC ..... D15/1-5  
CPC ..... F02M 35/10091; F02M 35/10222; F02M  
35/10295; F02M 35/10321; F02M  
35/10262; F02M 35/104; F02M  
35/10354; F02M 35/116; F02M  
35/10052; F02M 35/10078  
See application file for complete search history.

- 2010/0130079 A1\* 5/2010 White ..... F01N 13/04  
440/89 H
- 2013/0061825 A1\* 3/2013 Borghi ..... F02M 35/10222  
123/184.21
- 2015/0247477 A1\* 9/2015 Wilson ..... F02M 35/104  
123/184.47
- 2016/0230510 A1\* 8/2016 Micken ..... F04B 53/16
- 2016/0237962 A1\* 8/2016 Iwazume ..... F02M 35/10222

\* cited by examiner

*Primary Examiner* — T Chase Nelson  
*Assistant Examiner* — Ania Aman

(74) *Attorney, Agent, or Firm* — Marsh Fischmann &  
Breyfogle LLP; Russell T. Manning

(57) **CLAIM**

The ornamental design for an engine intake manifold, as shown and described.

**DESCRIPTION**

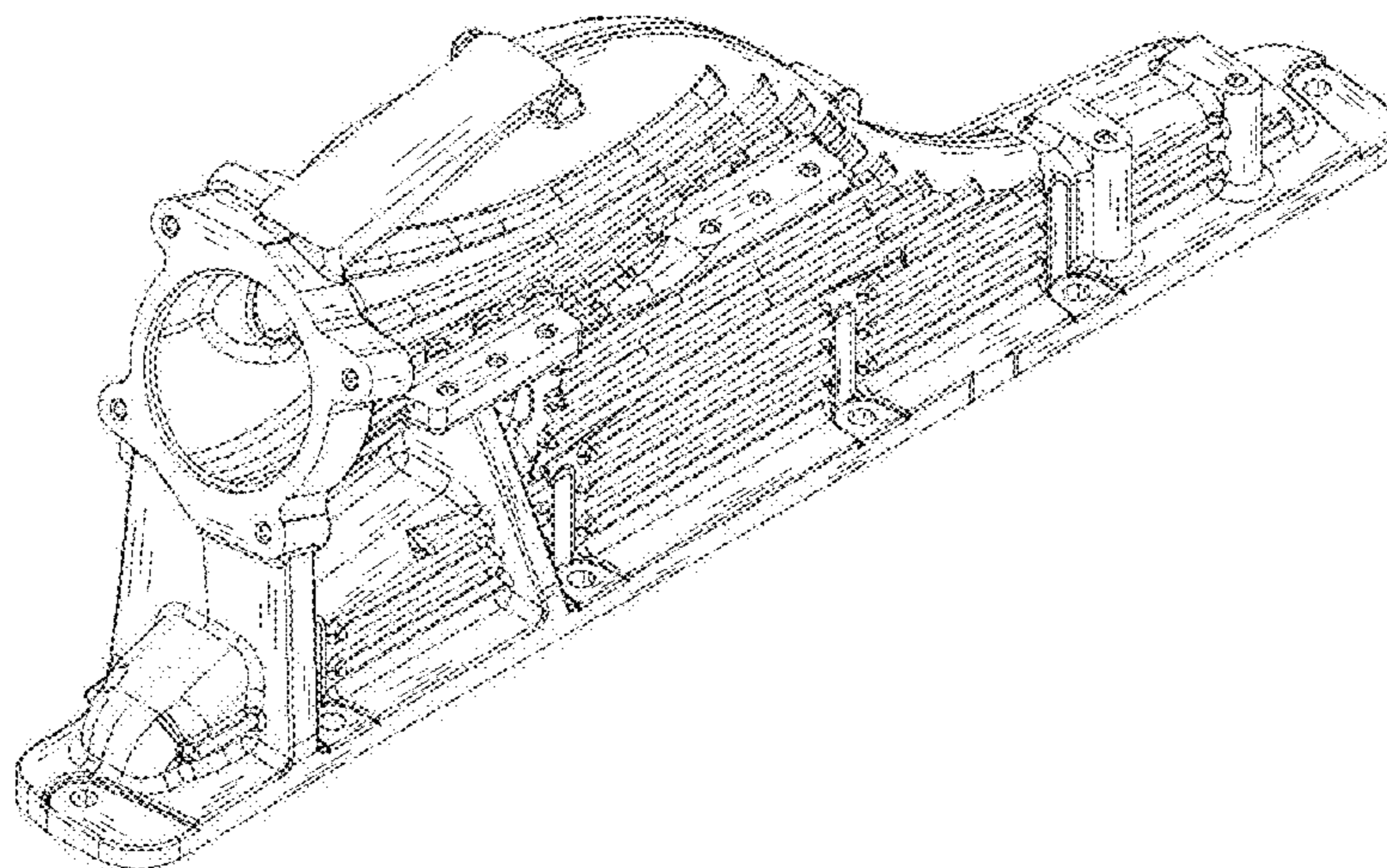
FIG. 1 is a perspective view of a right side the engine intake manifold;  
 FIG. 2 is a top plan view of the engine intake manifold;  
 FIG. 3 is a bottom plan view of the engine intake manifold;  
 FIG. 4 is a side elevational view of a left side of the engine intake manifold;  
 FIG. 5 is a side elevational view of a right side of the engine intake manifold;  
 FIG. 6 is an end elevational view of a left end of the engine intake manifold; and,  
 FIG. 7 is an end elevational view of a right end of the engine intake manifold.  
 The broken lines define the bounds of the claimed design and form no part thereof.

(56) **References Cited**

U.S. PATENT DOCUMENTS

- D529,923 S \* 10/2006 Liao ..... D15/5
- 7,552,586 B1 \* 6/2009 White ..... F01N 3/08  
440/89 B
- D677,700 S \* 3/2013 Hsu ..... D15/5
- 9,273,653 B2 \* 3/2016 Wilson ..... F02M 35/104
- D779,559 S \* 2/2017 Micken ..... D15/5
- D788,173 S \* 5/2017 Hsu ..... D15/5
- 2010/0087109 A1 \* 4/2010 White ..... F01N 13/085  
440/89 H

**1 Claim, 7 Drawing Sheets**



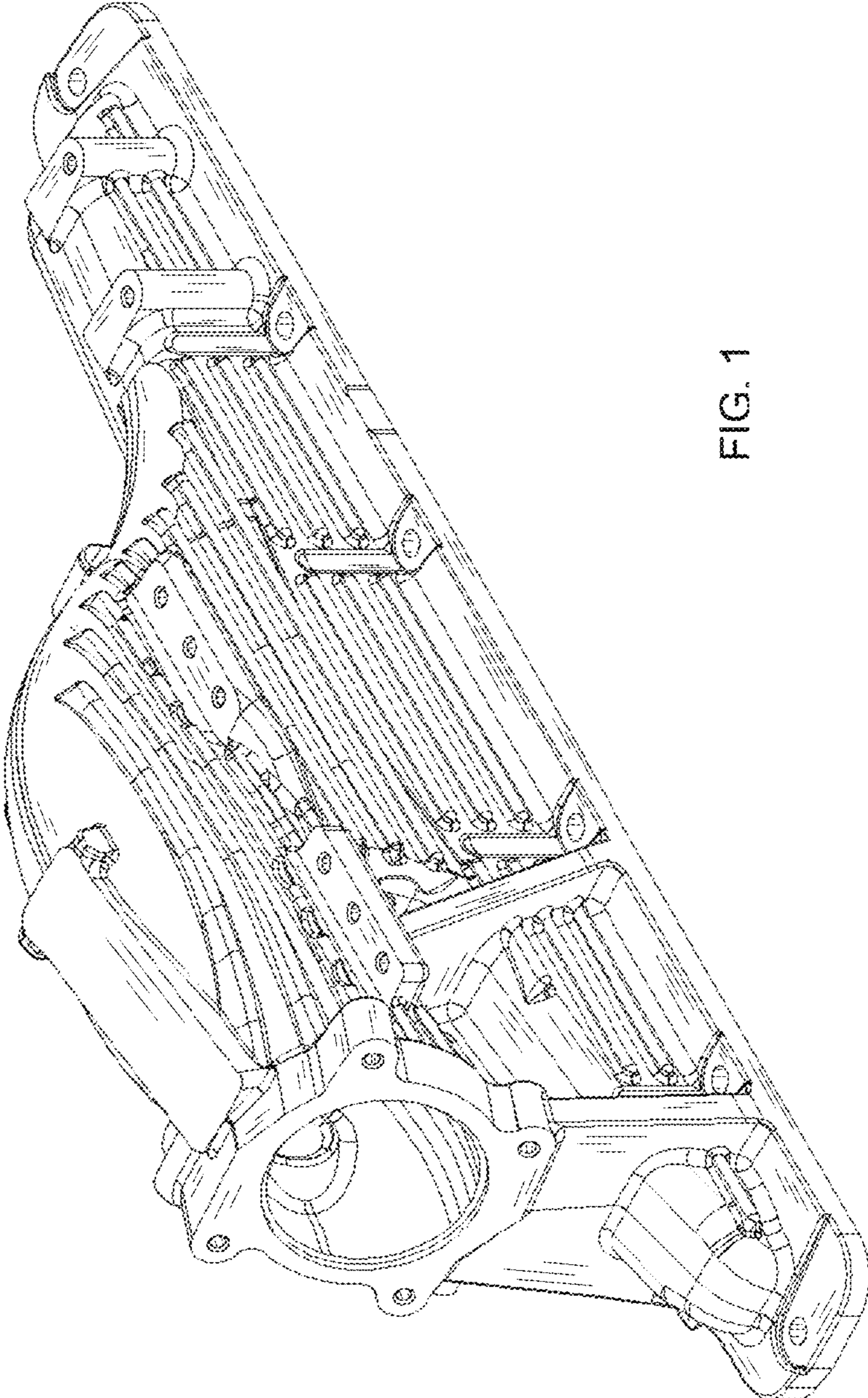


FIG. 1

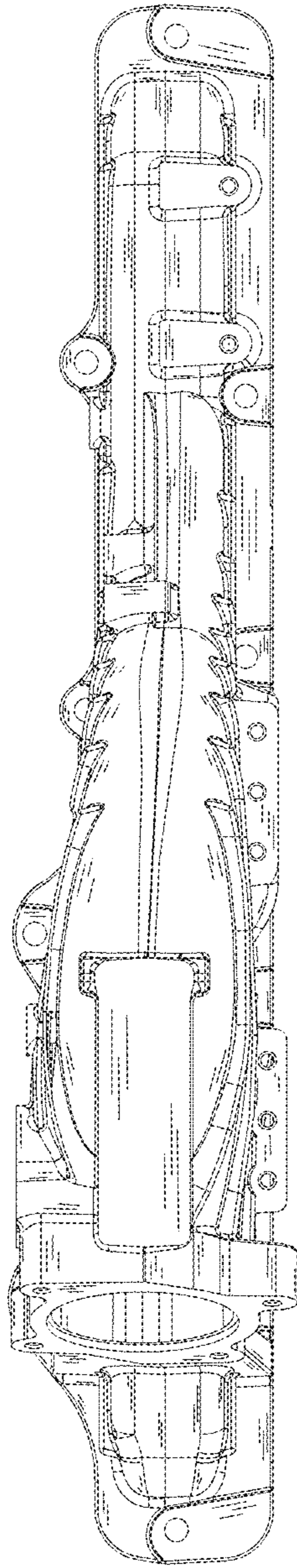


FIG. 2

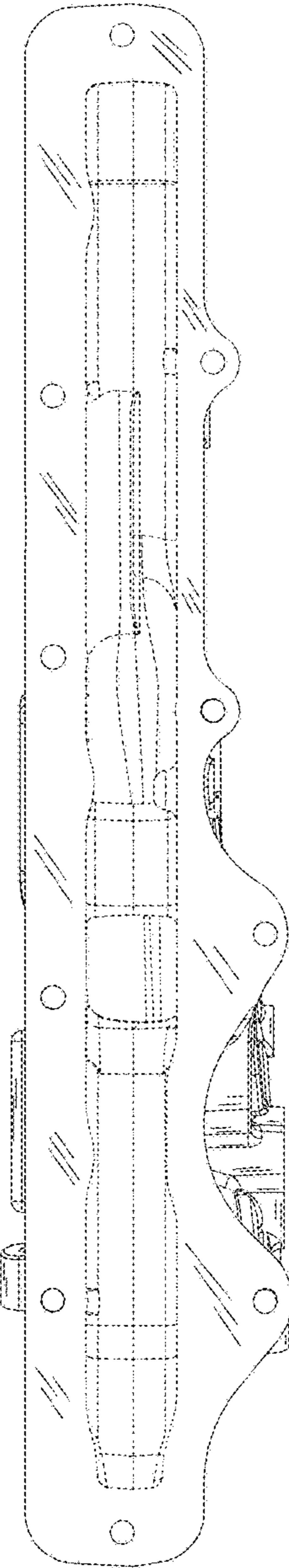


FIG. 3

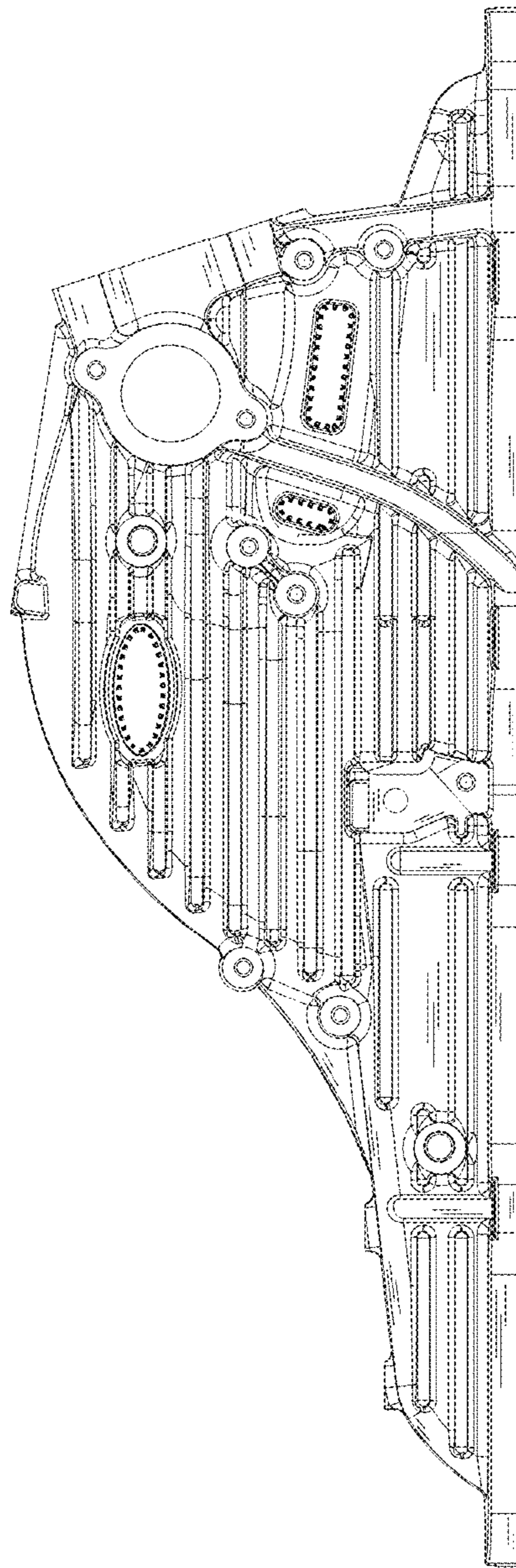


FIG. 4

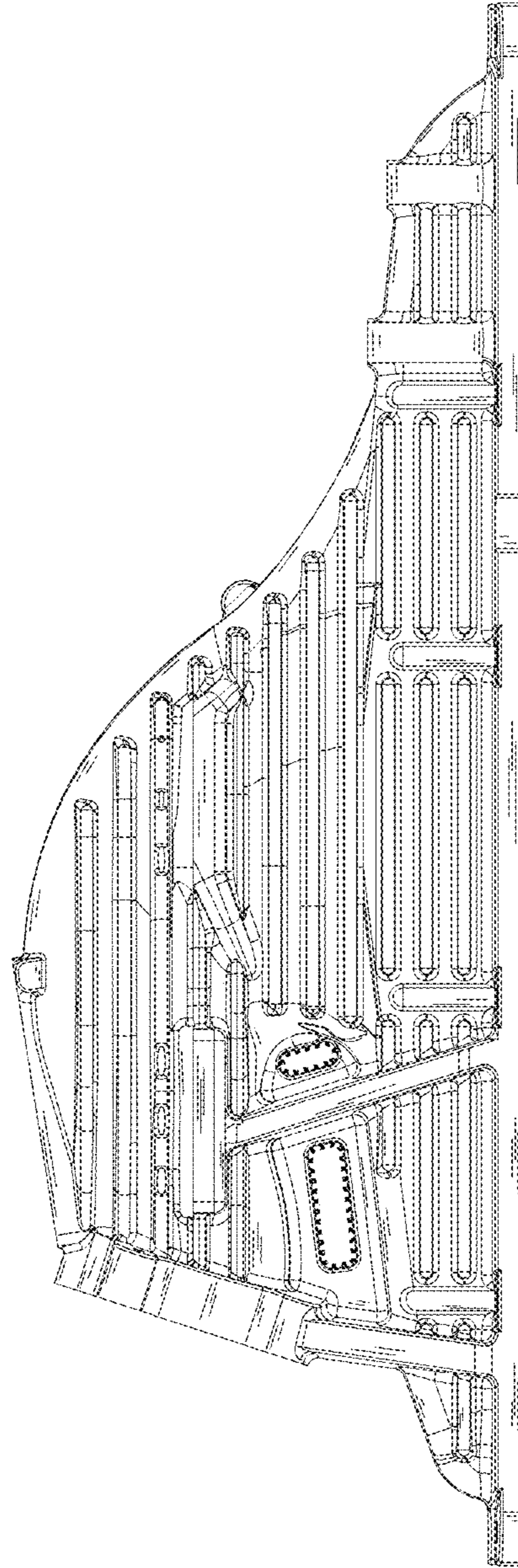


FIG. 5

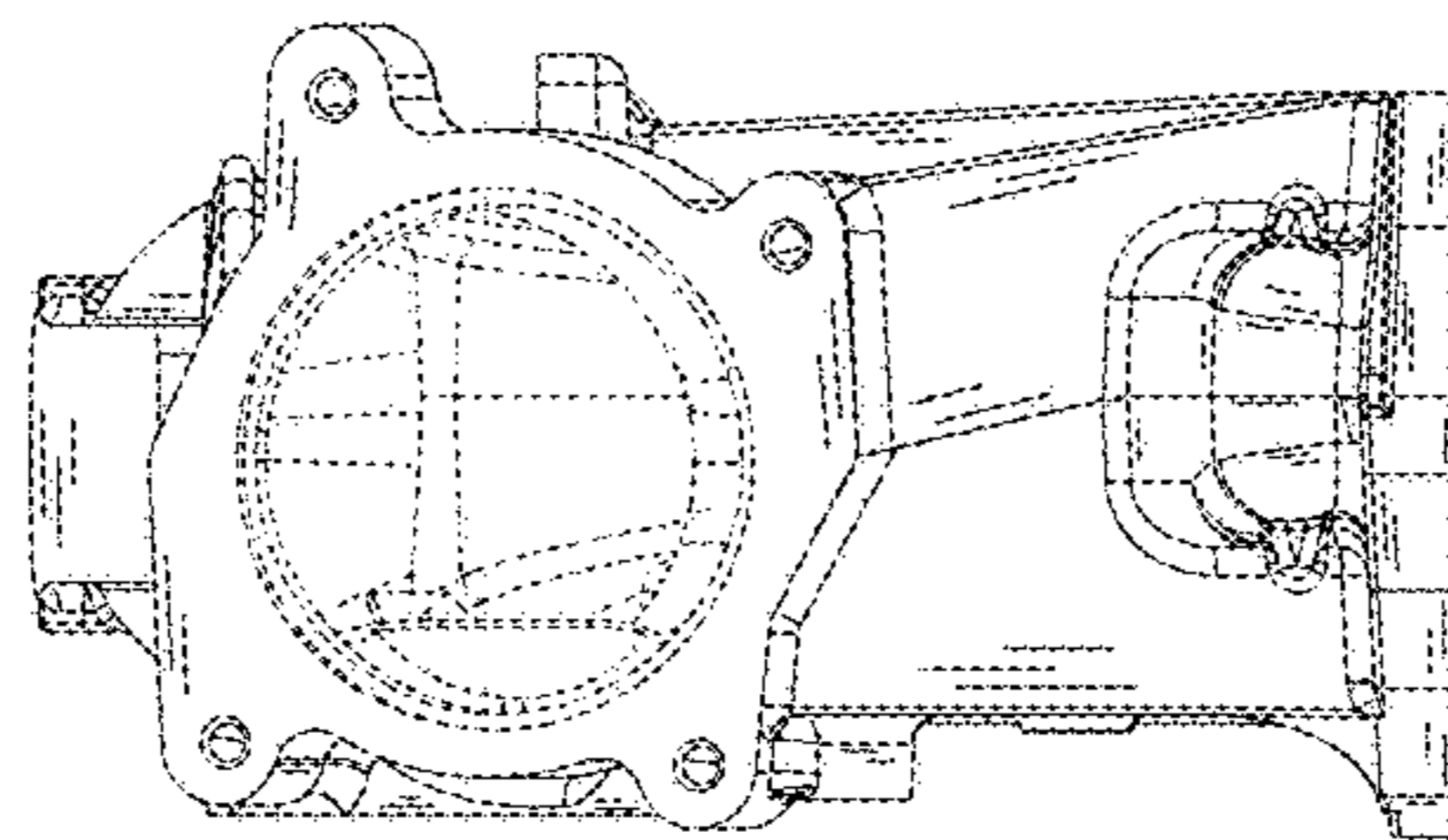


FIG. 6

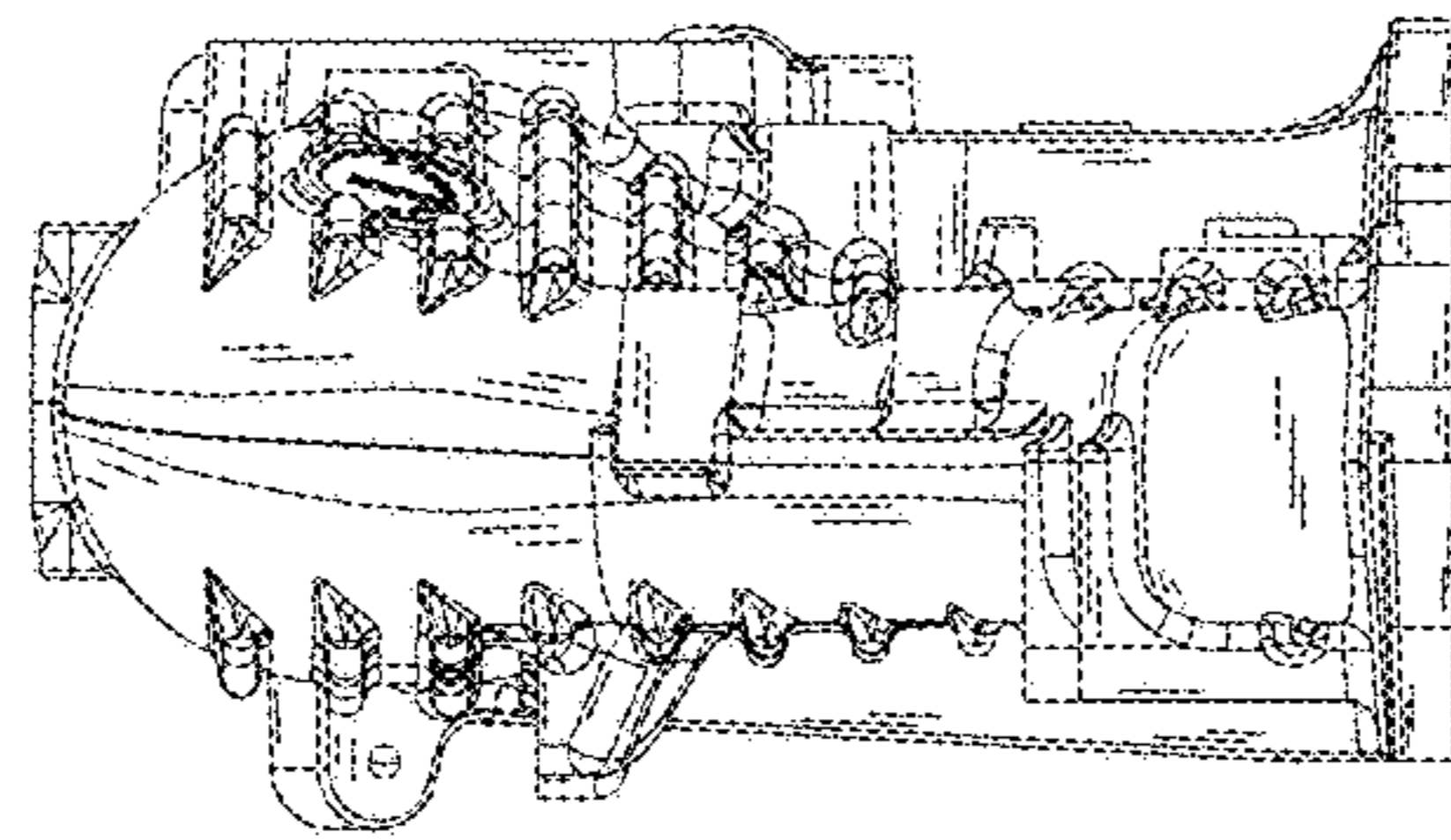


FIG. 7