



US00D838283S

(12) **United States Design Patent** (10) **Patent No.:** **US D838,283 S**
Buchter et al. (45) **Date of Patent:** **** Jan. 15, 2019**

(54) **DISPLAY SCREEN OR A PORTION THEREOF WITH GRAPHICAL USER INTERFACE**

(71) Applicant: **Cox Automotive, Inc.**, Atlanta, GA (US)

(72) Inventors: **Drew Buchter**, Atlanta, GA (US);
Shannon Rowe, Atlanta, GA (US);
Greg Hearn, Atlanta, GA (US)

(73) Assignee: **Cox Automotive, Inc.**, Atlanta, GA (US)

(**) Term: **15 Years**

(21) Appl. No.: **29/599,411**

(22) Filed: **Apr. 3, 2017**

(51) **LOC (11) Cl.** **14-04**

(52) **U.S. Cl.**
USPC **D14/485**

(58) **Field of Classification Search**
USPC D14/485, 486; D20/11
CPC G06F 3/048; G06F 3/0481; G06F 3/04812;
G06F 3/04815; G06F 3/0482; G06F
3/0487

See application file for complete search history.

(56) **References Cited**

U.S. PATENT DOCUMENTS

D568,336 S * 5/2008 Miglietta D14/492
D589,054 S * 3/2009 Koursoumidis D14/492
7,624,065 B2 * 11/2009 Schoen G06Q 40/04
705/37
D655,719 S * 3/2012 Zaman D14/486
D689,096 S * 9/2013 Nagaoka D14/489
D712,421 S * 9/2014 Inose D14/486
D729,265 S * 5/2015 Mariet D14/486
D730,372 S * 5/2015 Mariet D14/486

D730,923 S * 6/2015 Mariet D14/486
D732,071 S * 6/2015 Paszkowicz D14/489
D746,835 S * 1/2016 Yamasaki D14/485
D749,611 S * 2/2016 Noack D14/486
D749,612 S * 2/2016 Noack D14/486
D749,613 S * 2/2016 Noack D14/486
D749,614 S * 2/2016 Noack D14/486
D749,615 S * 2/2016 Noack D14/486
D749,618 S * 2/2016 Noack D14/486
D759,056 S * 6/2016 Inoue D14/485
D765,089 S * 8/2016 Agee D14/485
D774,523 S * 12/2016 Agee D14/485
D774,524 S * 12/2016 Agee D14/485
D799,543 S * 10/2017 Swanson D14/492
D806,104 S * 12/2017 Dell D14/486
D806,105 S * 12/2017 Dell D14/486
D813,259 S * 3/2018 Dell D14/486
D813,260 S * 3/2018 Dell D14/486
D813,261 S * 3/2018 Dell D14/486
D814,495 S * 4/2018 Dell D14/486
2014/0258854 A1 * 9/2014 Li G06F 3/0484
715/702

* cited by examiner

Primary Examiner — Melanie H Tung

(74) *Attorney, Agent, or Firm* — Eversheds Sutherland (US) LLP

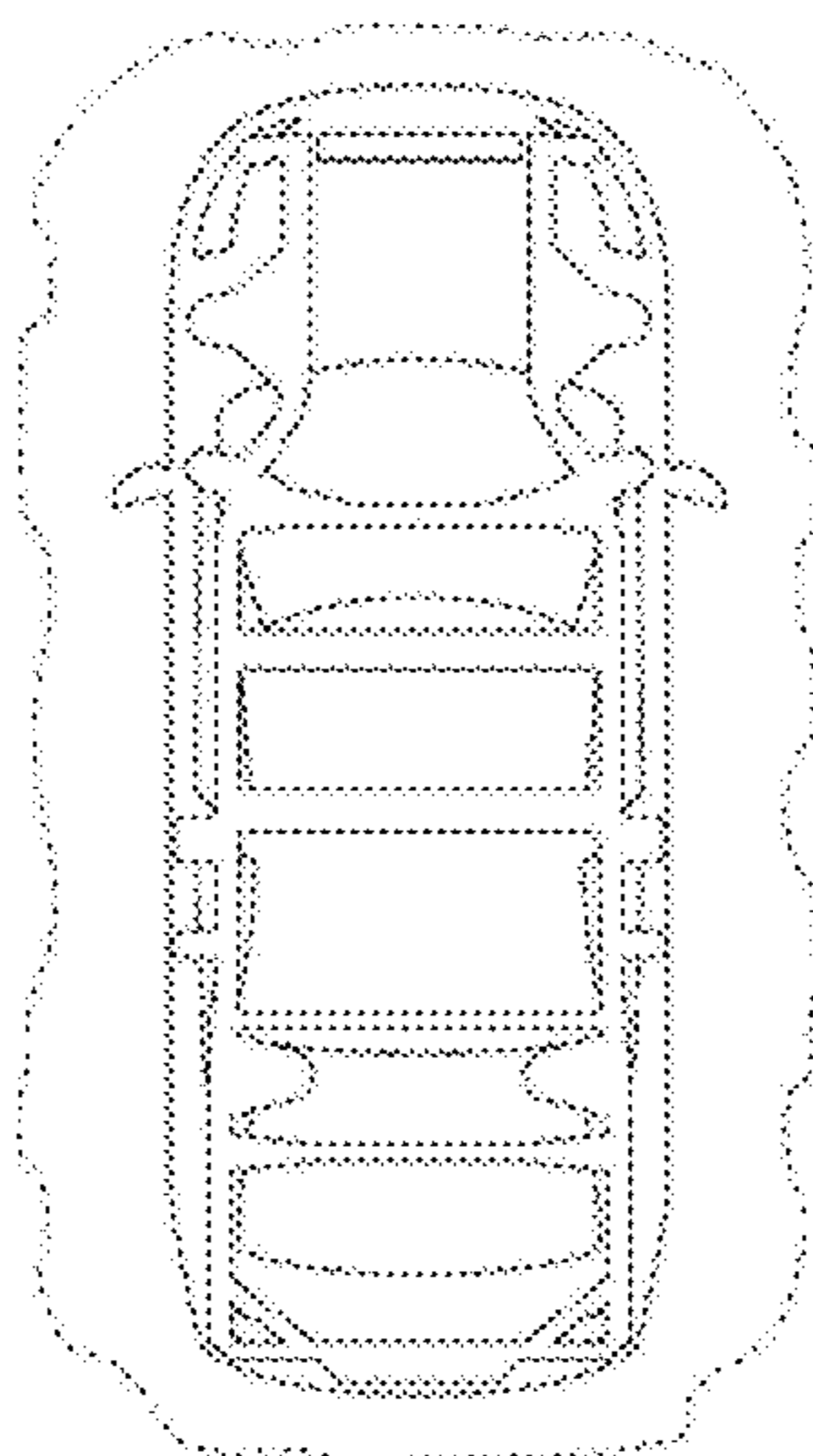
(57) **CLAIM**

The ornamental design for a display screen or a portion thereof with graphical user interface, as shown and described.

DESCRIPTION

FIG. 1 is a view of a display screen or a portion thereof with graphical user interface;
FIG. 2 is a view of a second embodiment thereof; and,
FIG. 3 is a view of a third embodiment thereof.
The outer broken line represents a display screen or a portion thereof and forms no part of the claimed design.

1 Claim, 3 Drawing Sheets



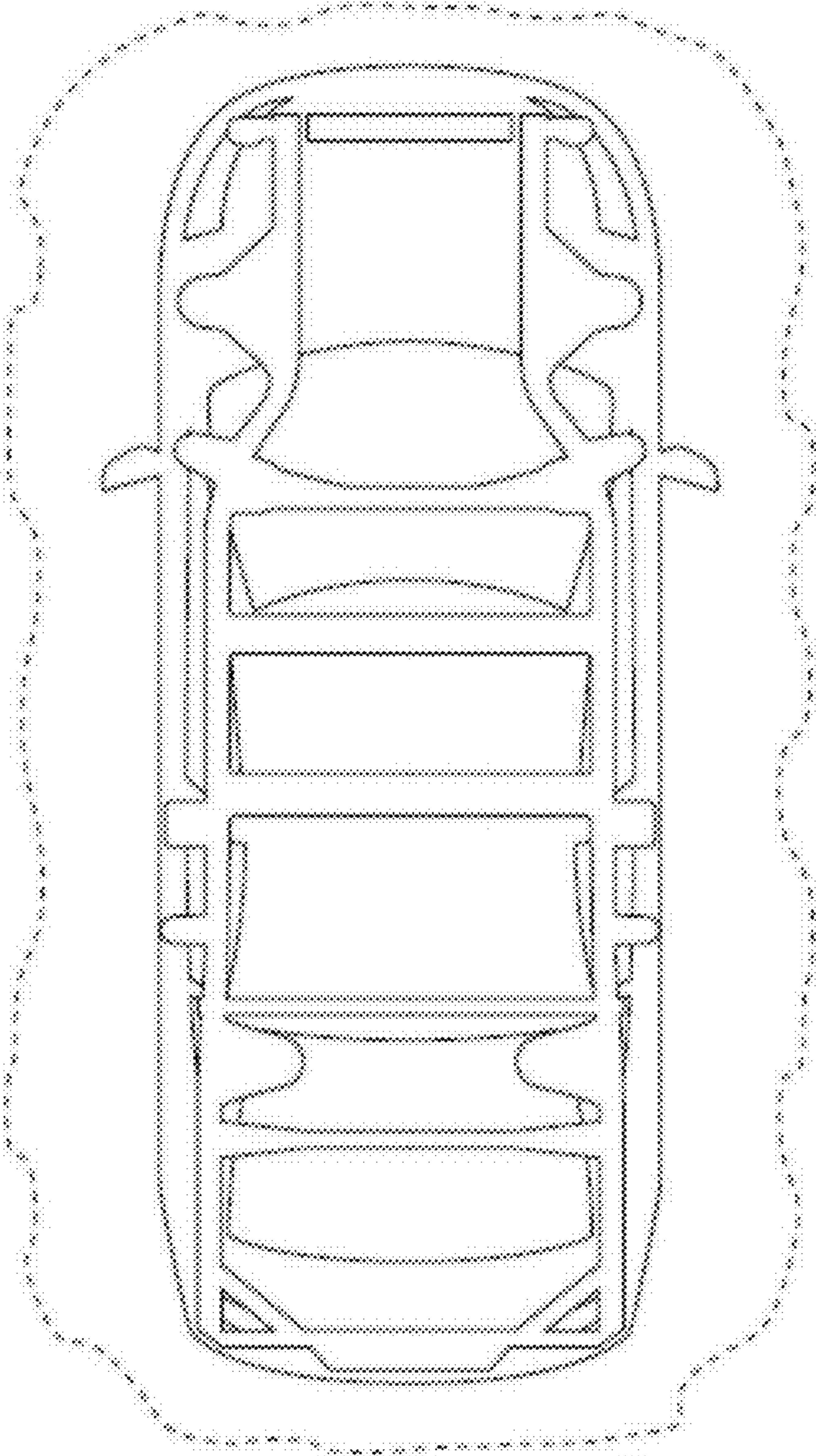


FIG. 1

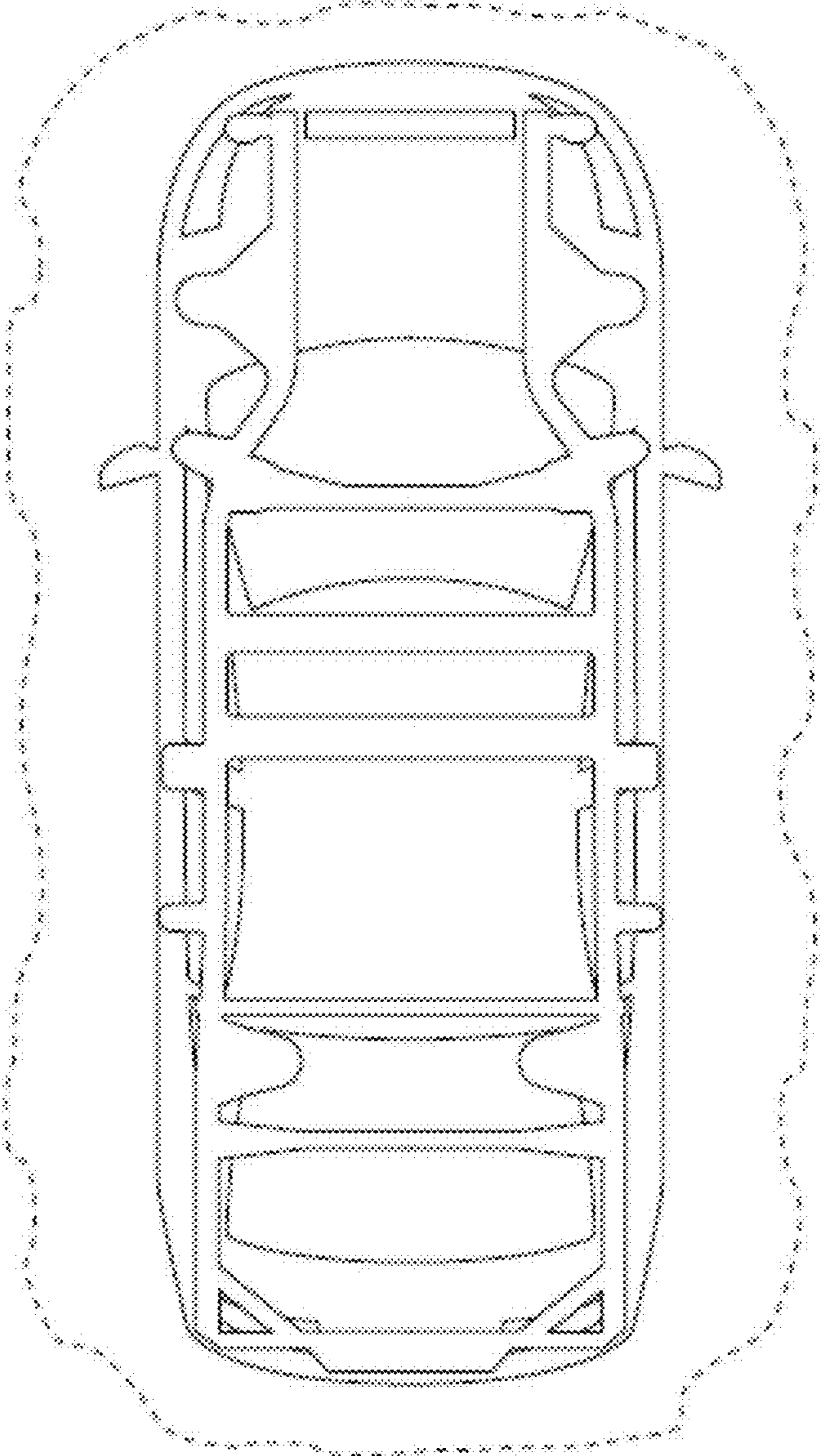


FIG. 2

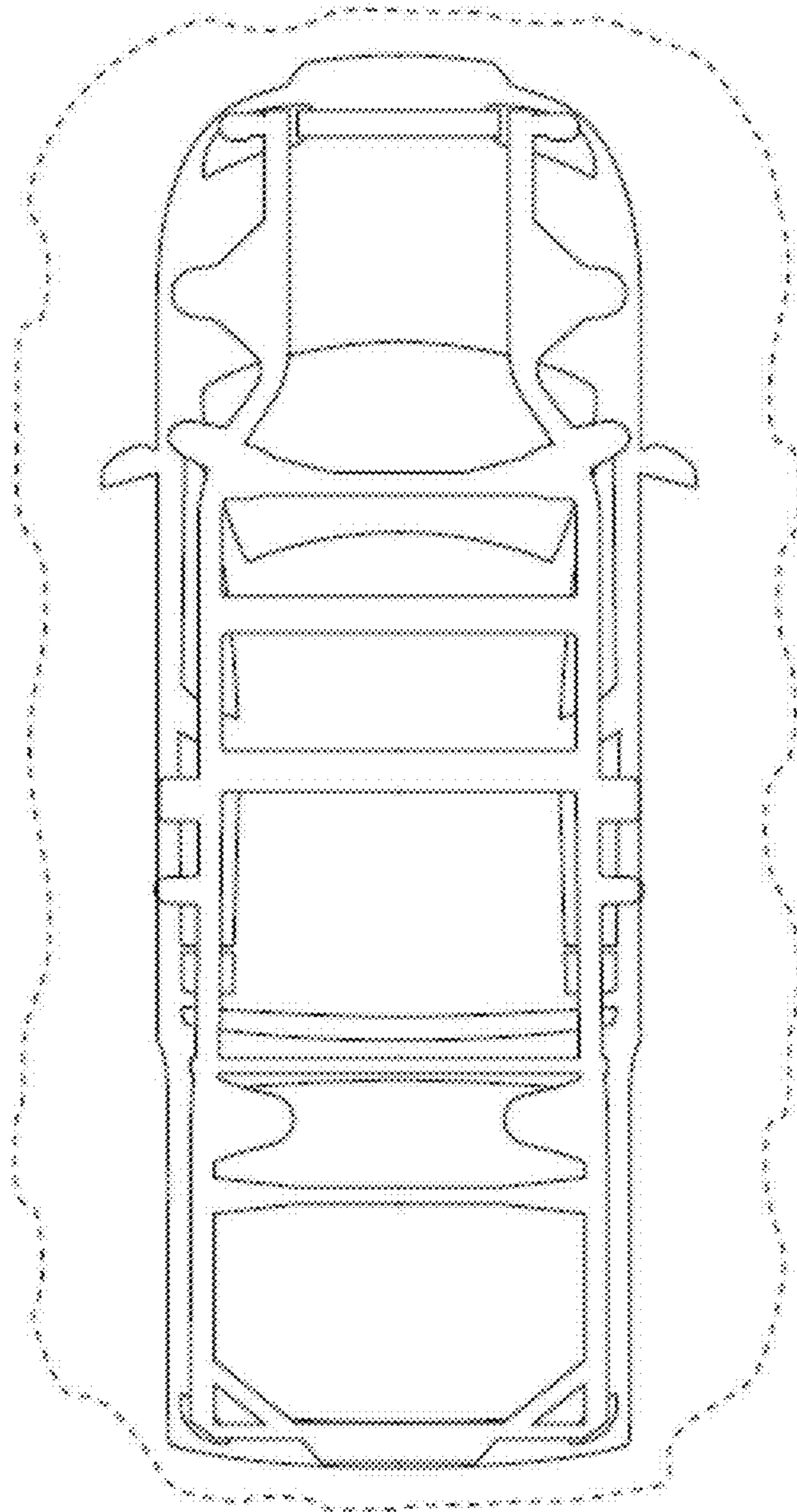


FIG. 3