



US00D838276S

(12) **United States Design Patent** (10) **Patent No.:** **US D838,276 S**
Lee (45) **Date of Patent:** **** Jan. 15, 2019**

(54) **STACKABLE MONITOR STAND**
(71) Applicant: **Hsi-Yun Lee**, New Taipei (TW)
(72) Inventor: **Hsi-Yun Lee**, New Taipei (TW)
(**) Term: **15 Years**
(21) Appl. No.: **29/581,875**
(22) Filed: **Oct. 24, 2016**

(30) **Foreign Application Priority Data**
Apr. 29, 2016 (TW) 105302355
(51) **LOC (11) Cl.** **14-02**
(52) **U.S. Cl.**
USPC **D14/451**
(58) **Field of Classification Search**
USPC D14/371-382, 125-129, 335-337,
D14/447-452, 492, 239, 457, 439-441,
D14/432, 251-253; D8/349, 354, 363,
D8/373, 376, 380; 348/180, 184, 325,
348/739, 825; D12/407, 415; D3/218;
341/12
CPC G06F 3/0412; G06F 3/016; G06F 3/0488;
G06F 3/011; G06F 3/038; G06F 3/03543;
G06F 3/0338; G06F 3/0202; G06F
3/0219; G06F 3/0213; G06F 1/1616;
G06F 3/023; G06F 3/04883; G02F
1/13338; G02F 1/1313; G02F 1/1333;
G02F 1/135; G02F 1/132; G02F
1/133308; G02F 1/134309; G02F
1/13718; G09G 3/3648; G06K 15/1252;
B41J 2/465; G03F 7/70291; G02B
27/0172; G02B 5/30; G02B 2027/0118;
G02B 27/0101; F16M 13/02; F16M
13/00; F16M 11/10; F16M 11/04; F16M
2200/08; F16M 11/2021; A47B 21/0314;
A47B 88/044; A47B 2021/0335; H02G
3/126; F16B 47/00; F16B 47/006; A47G
1/17; A47K 2201/00

See application file for complete search history.

(56) **References Cited**
U.S. PATENT DOCUMENTS
D262,106 S * 12/1981 Frassanito D14/242
D299,465 S * 1/1989 Helstab D13/184
D303,959 S * 10/1989 Suyama D14/451
D334,921 S * 4/1993 Basara D14/447
D375,298 S * 11/1996 Calfee D14/451
D376,787 S * 12/1996 Calfee D14/451
D390,546 S * 2/1998 Calfee D14/451
D448,950 S * 10/2001 McIveen D14/451
D466,884 S * 12/2002 Clayton D14/168

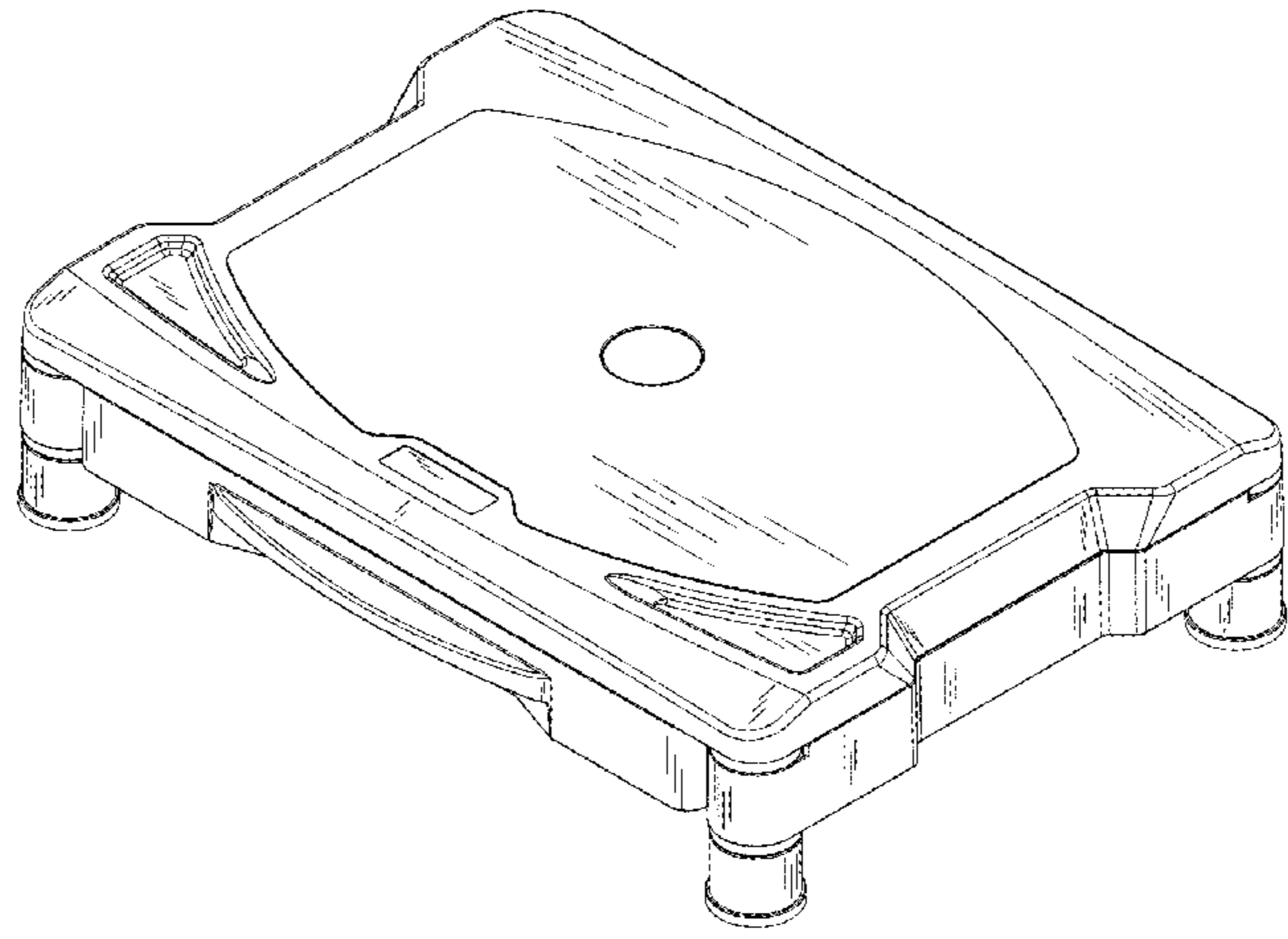
(Continued)

Primary Examiner — Katie Jane Stofko
(74) *Attorney, Agent, or Firm* — Leong C. Lei

(57) **CLAIM**
The ornamental design for a stackable monitor stand, as shown and described.

DESCRIPTION
FIG. 1 is a perspective view of a stackable monitor stand showing my new design;
FIG. 2 is a front elevation view thereof;
FIG. 3 is a rear elevation view thereof;
FIG. 4 is a left side elevation view thereof;
FIG. 5 is a right side elevation view thereof;
FIG. 6 is a top plan view thereof;
FIG. 7 is a bottom plan view thereof;
FIG. 8 is a perspective view thereof, shown in an environment of use; and,
FIG. 9 is a perspective view thereof, shown in another environment of use.
The broken lines shown in FIGS. 8 and 9 illustrating another stackable display mount and on a monitor are environment that form no part of the claimed design. The remaining broken lines in the drawings illustrate portions of the stackable display mount that form no part of the claimed design.

1 Claim, 9 Drawing Sheets



(56)

References Cited

U.S. PATENT DOCUMENTS

D470,848 S * 2/2003 Morooka D14/433
D551,205 S * 9/2007 Ichikawa D14/188
D580,920 S * 11/2008 Wikel D14/240
7,986,527 B2 * 7/2011 Sween G06F 1/203
248/346.01

* cited by examiner

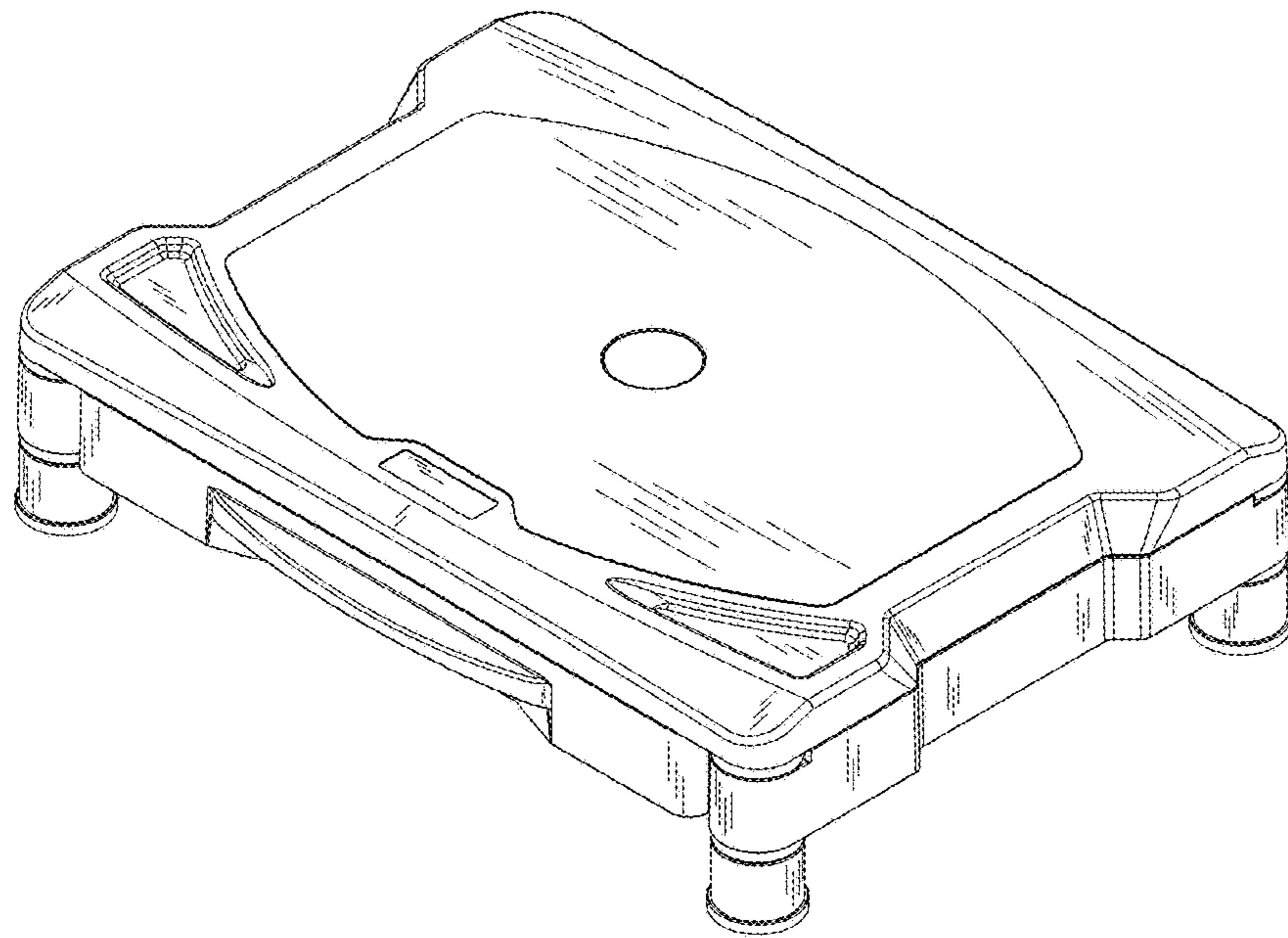


FIG. 1

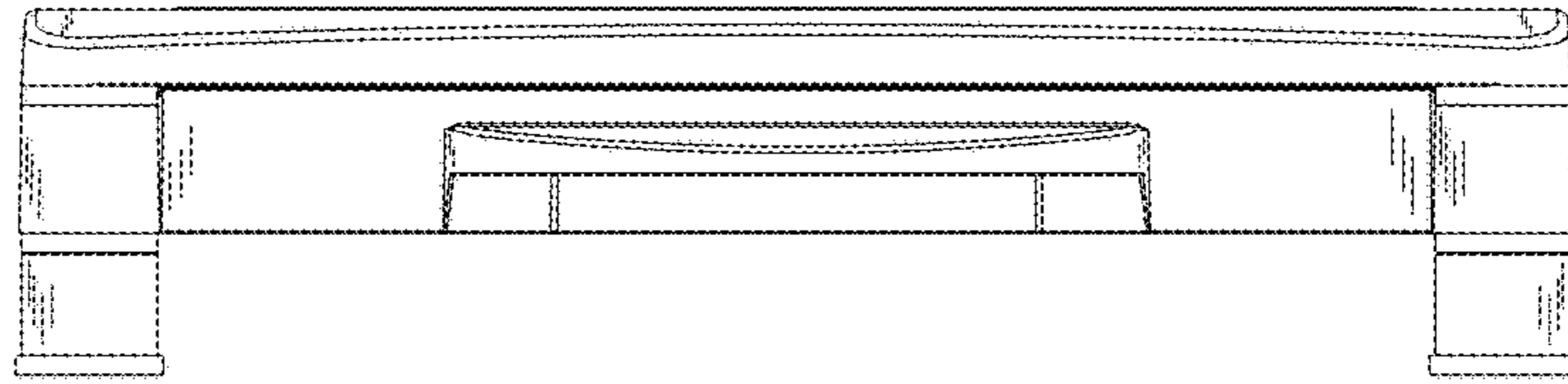


FIG. 2

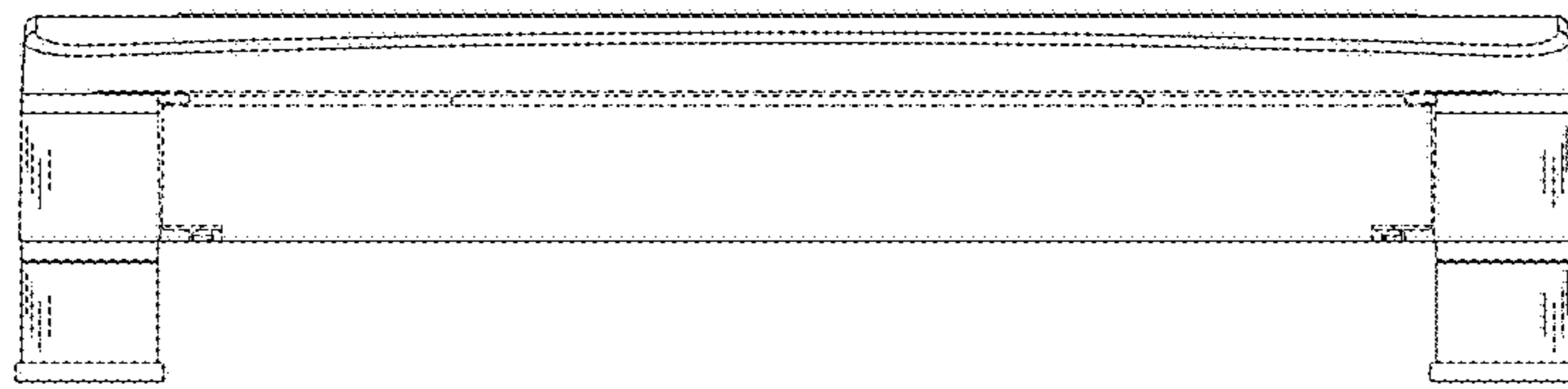


FIG. 3

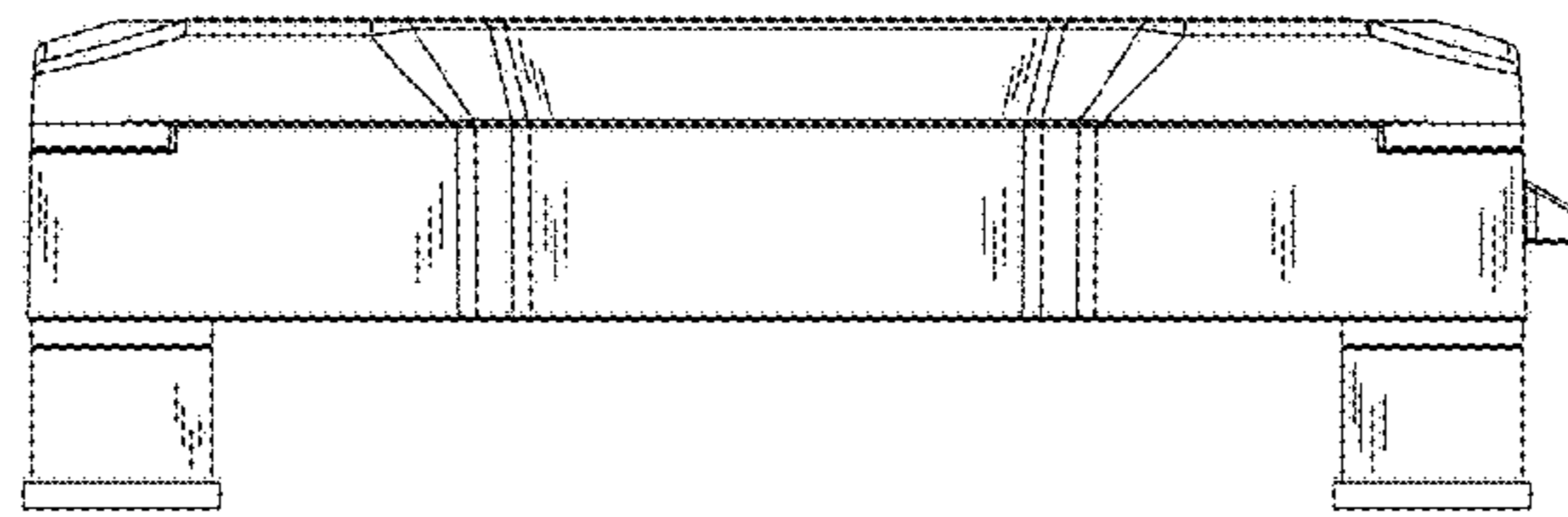


FIG. 4

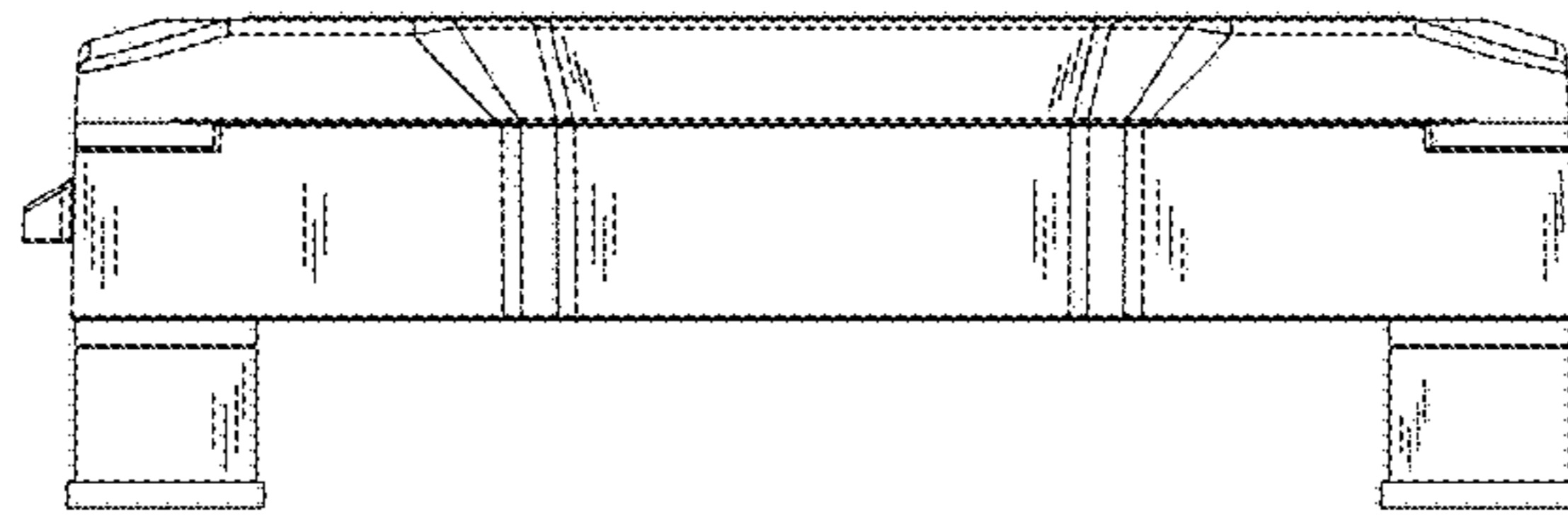


FIG. 5

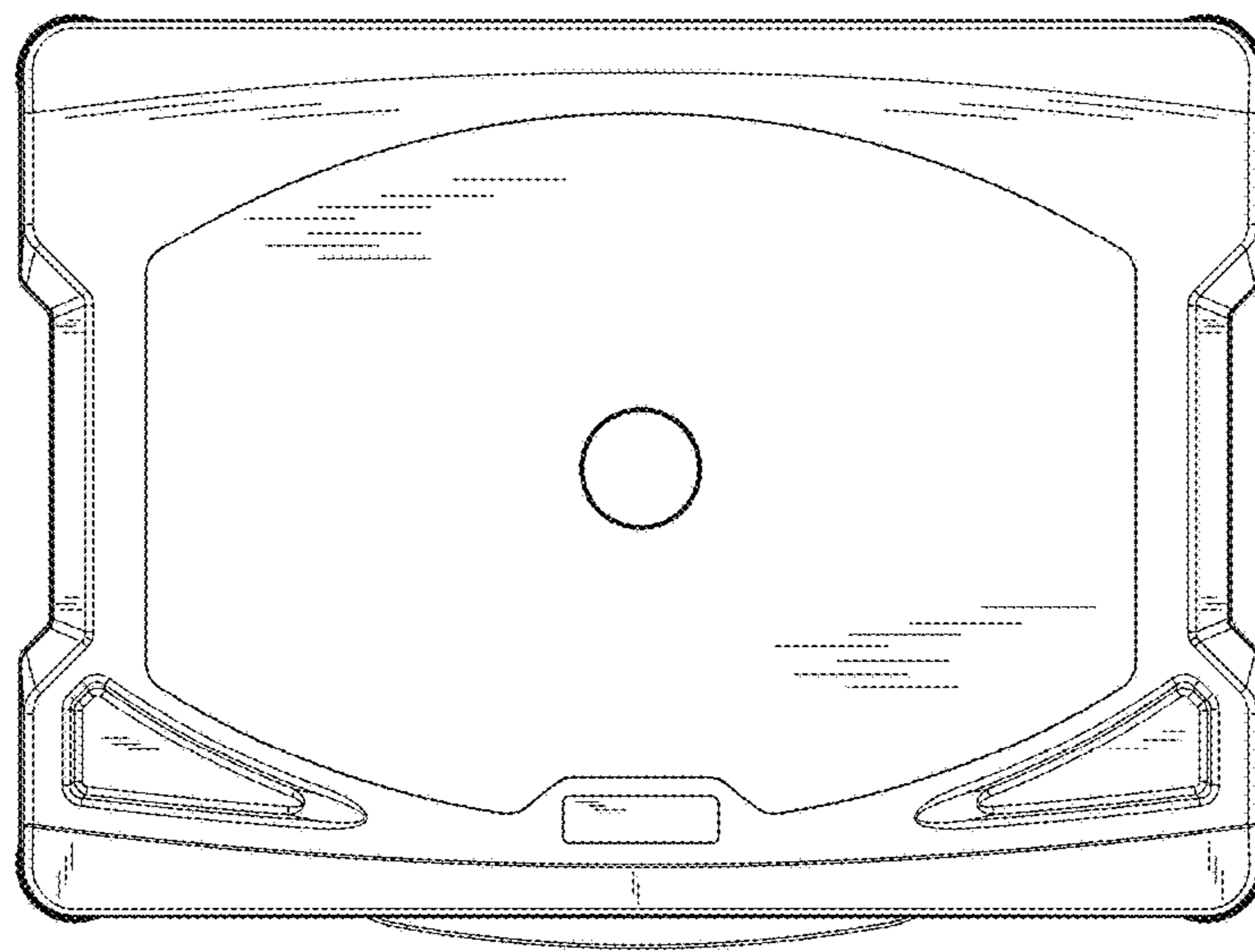


FIG. 6

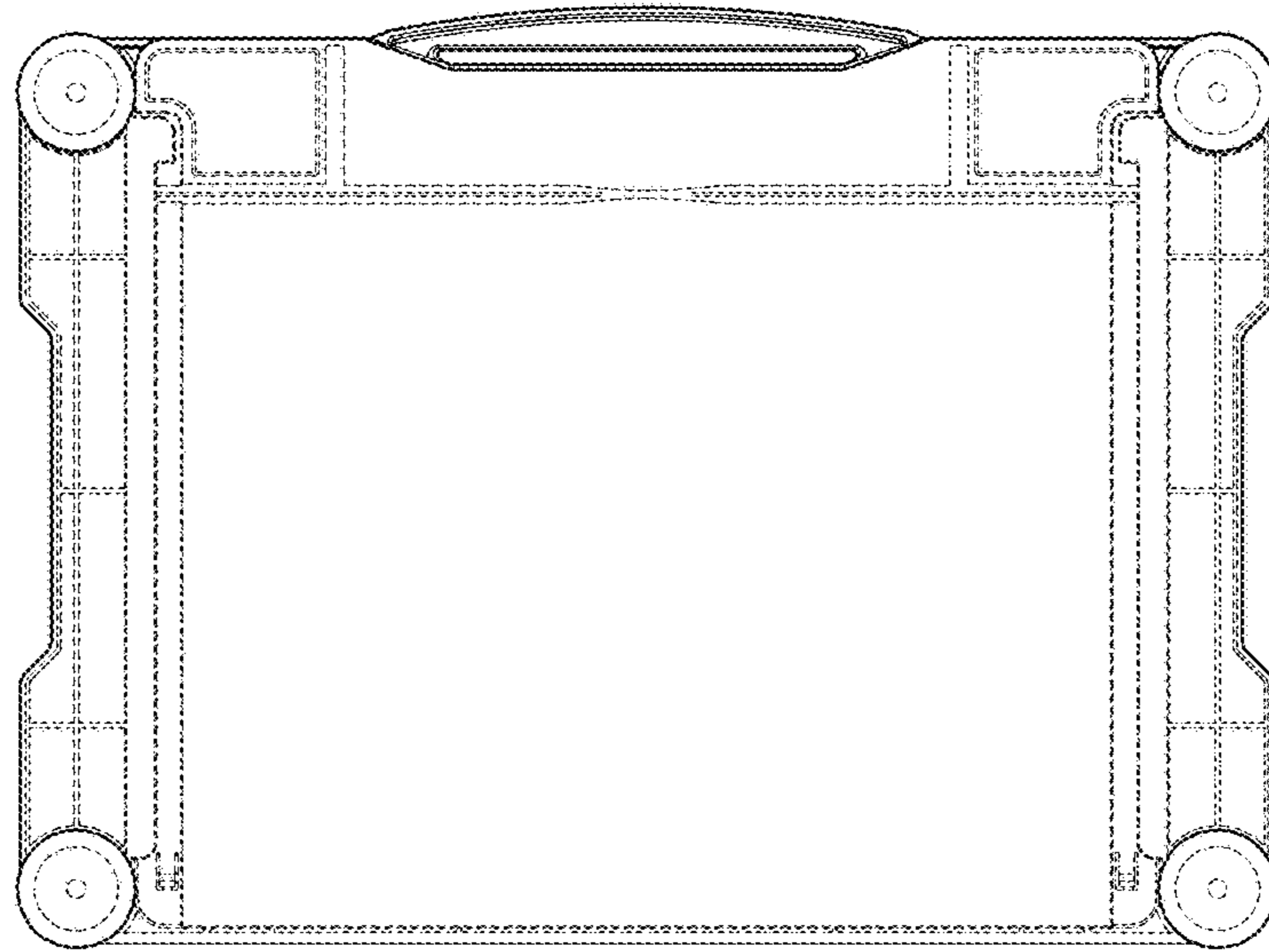


FIG. 7

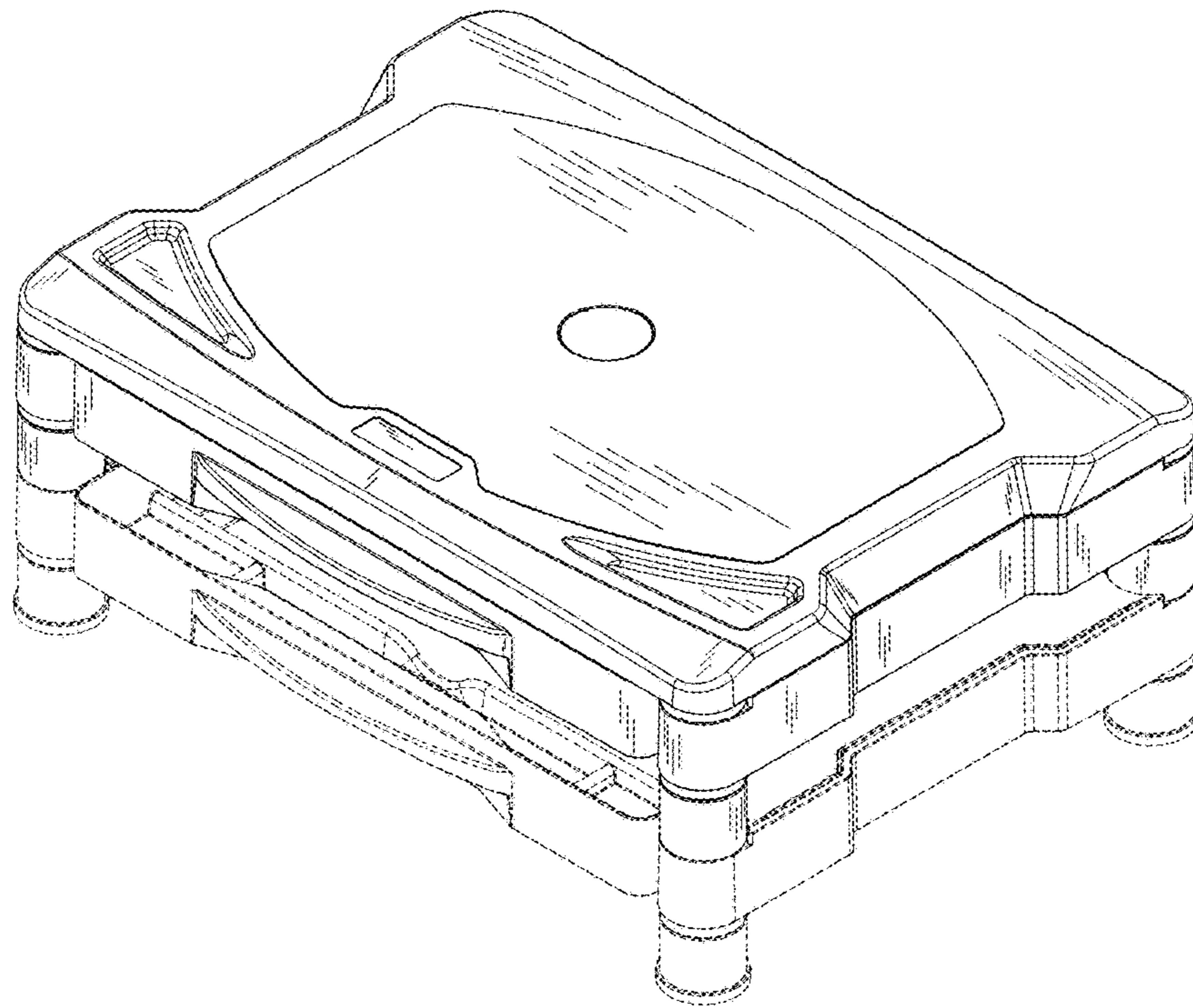


FIG. 8

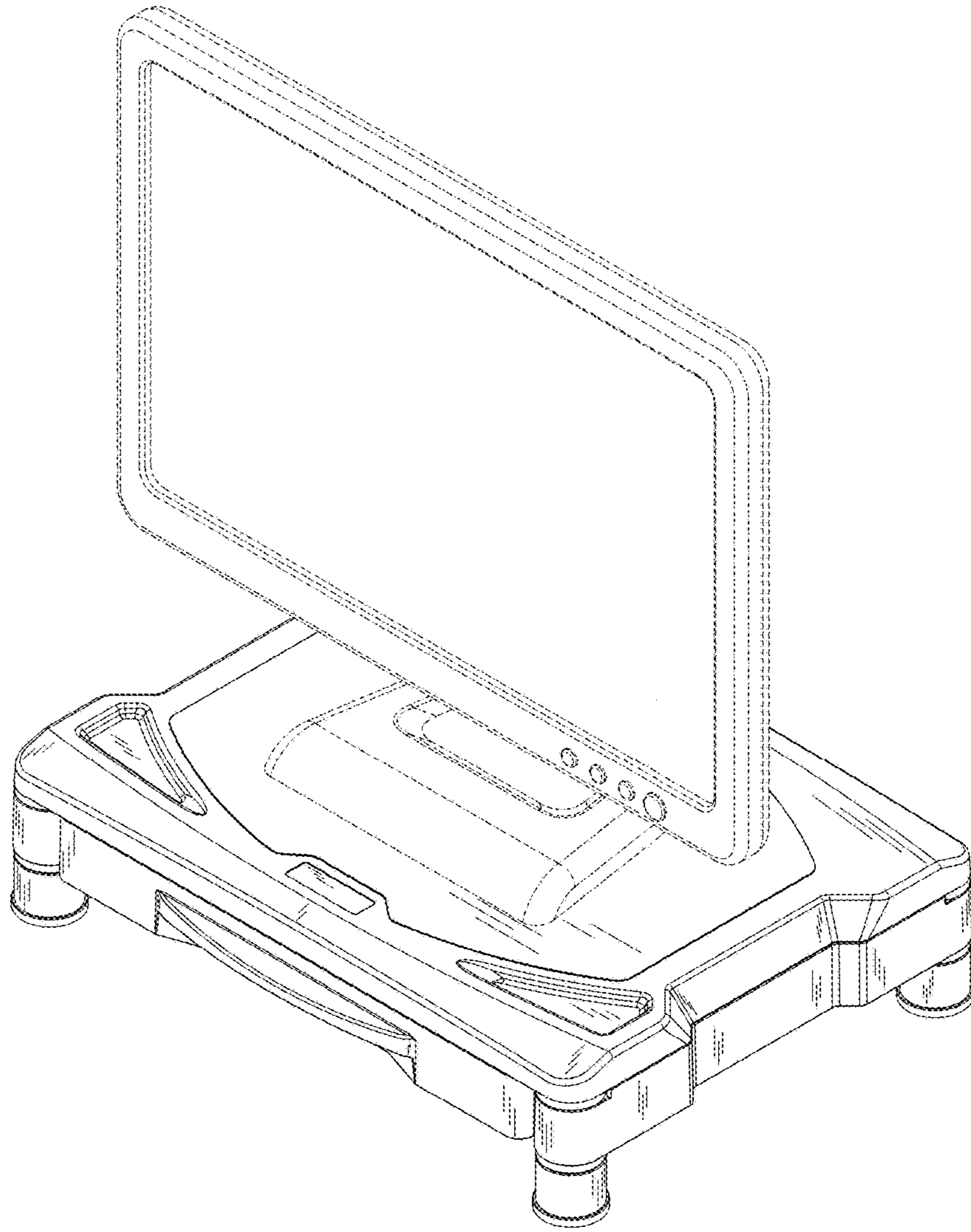


FIG. 9