



US00D838275S

(12) **United States Design Patent**
Nyholm

(10) **Patent No.:** **US D838,275 S**
(45) **Date of Patent:** **** Jan. 15, 2019**

- (54) **TABLET COMPUTER CASE**
- (71) Applicant: **STM Management Pty Ltd,**
Alexandria, NSW (AU)
- (72) Inventor: **Ethan Nyholm,** North Bondi (AU)
- (73) Assignee: **STM Management Pty Ltd,**
Alexandria NSW (AU)

D508,954 S 8/2005 Cetera
 6,926,151 B1 8/2005 Starr et al.
 D522,583 S 6/2006 Goserud
 7,318,521 B2 1/2008 Lau
 D645,505 S 9/2011 Melnick
 8,132,670 B1 3/2012 Chen
 D658,187 S 4/2012 Dieel
 D667,831 S * 9/2012 Stravitz D14/447

(Continued)

- (**) Term: **15 Years**
- (21) Appl. No.: **29/648,408**
- (22) Filed: **May 21, 2018**

FOREIGN PATENT DOCUMENTS

AU 349263 6/2013

Primary Examiner — Cynthia R Underwood
(74) *Attorney, Agent, or Firm* — Christensen, Fonder,
Dardi & Herbert PLLC

- (30) **Foreign Application Priority Data**
May 8, 2018 (AU) 201812714
- (51) **LOC (11) Cl.** **14-02**
- (52) **U.S. Cl.**
USPC **D14/440**
- (58) **Field of Classification Search**
USPC D14/440; 206/45.23, 320, 45.2;
361/679.55; 294/25; 224/218
CPC ... G06F 1/1628; G06F 1/1626; A47B 23/044;
H04B 1/3888; H05K 5/0217
See application file for complete search history.

(57) **CLAIM**

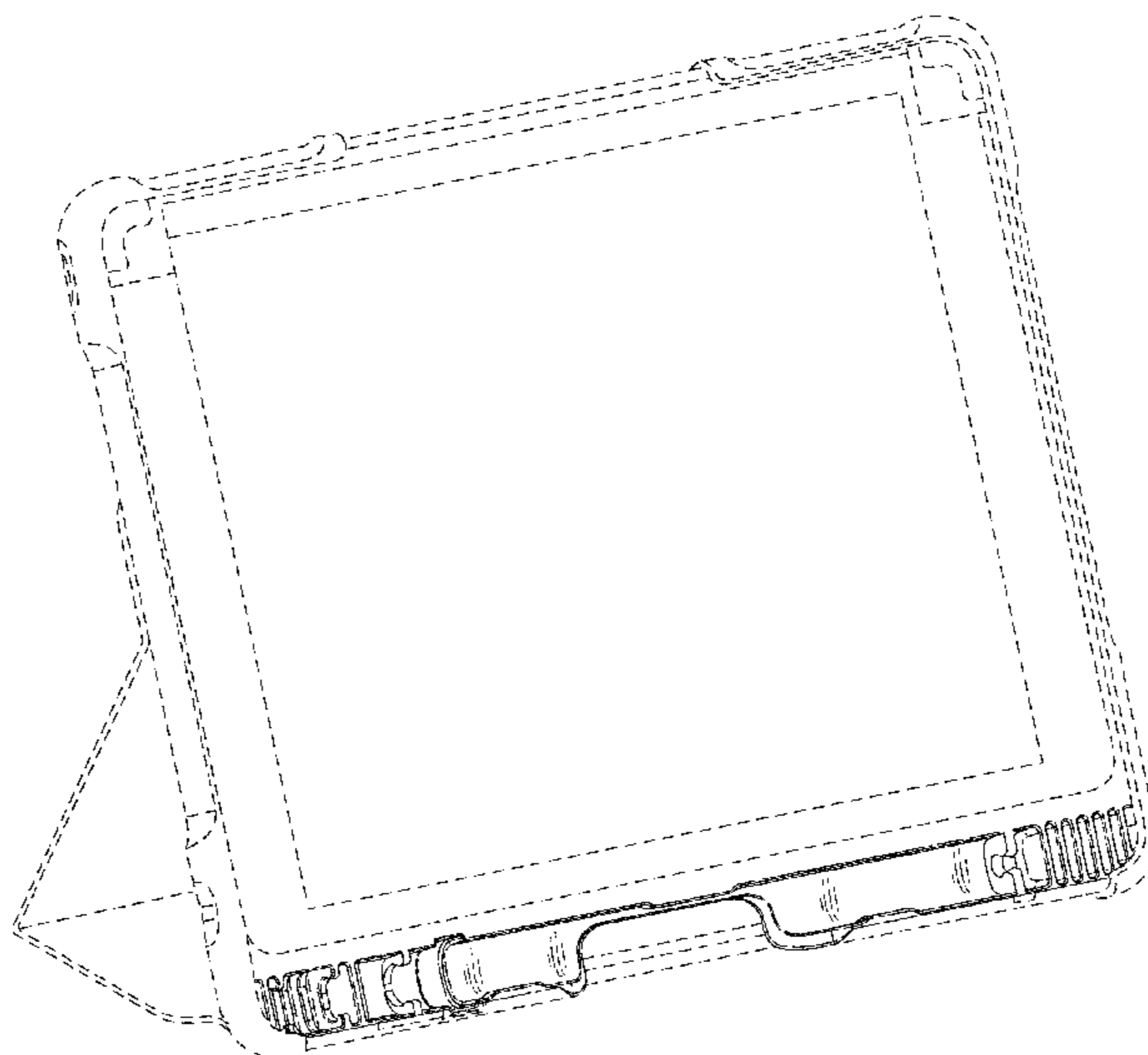
I claim the ornamental design for a tablet computer case, as shown and described.

DESCRIPTION

FIG. 1 is a perspective view of a tablet computer case;
 FIG. 2 is a detail view of the tablet computer case as depicted in FIG. 1;
 FIG. 3 is another perspective view of the tablet computer case;
 FIG. 4 is another detail view of the tablet computer case taken from encircled area labeled “4” on FIG. 1;
 FIG. 5 is another detail view of the tablet computer case taken from encircled area labeled “5” on FIG. 1;
 FIG. 6 is another detail view of the tablet computer case taken from encircled area labeled “6” on FIG. 1 shown slightly tilted;
 FIG. 7 is a view from below of the tablet computer case; and,
 FIG. 8 is a front view of the tablet computer case.
 The figures include broken lines that are directed to environment and are for illustrative purposes only; the broken lines form no part of the claimed design.

- (56) **References Cited**
U.S. PATENT DOCUMENTS
59,618 A 11/1866 Mahon
2,528,695 A 11/1950 King
4,815,880 A 3/1989 Sekiguchi
D366,146 S 1/1996 Bertrand
5,498,089 A 3/1996 Motyka
D385,299 S 10/1997 Adams
5,769,213 A 6/1998 Chatterton
D410,951 S 6/1999 Schwarzwaelder
6,016,248 A 1/2000 Anzai et al.
6,301,101 B1 10/2001 Anzai et al.
6,726,070 B2 4/2004 Lautner

1 Claim, 8 Drawing Sheets



(56)

References Cited

U.S. PATENT DOCUMENTS

8,264,310 B2	9/2012	Lauder et al.	D789,342 S *	6/2017	Sirichai	D14/250
8,344,836 B2	1/2013	Lauder et al.	D789,936 S	6/2017	Nyholm	
D676,449 S	2/2013	Probst et al.	D792,884 S	7/2017	Nyholm	
D678,260 S	3/2013	Bau	D792,887 S *	7/2017	Zhang	D14/440
D679,715 S	4/2013	Akana et al.	9,717,314 B2 *	8/2017	Idehara	A45C 11/00
D681,641 S	5/2013	Van Den Nieuwenhuizen et al.	9,748,999 B2	8/2017	Nyholm et al.	
8,474,609 B1	7/2013	Hong et al.	D804,486 S	12/2017	Nyholm et al.	
D688,251 S	8/2013	Akana et al.	D807,363 S *	1/2018	Hallier	D14/440
D690,703 S	10/2013	Welch et al.	D807,365 S *	1/2018	Liu	D14/440
8,555,938 B2	10/2013	Costello	D807,892 S *	1/2018	Wang	D14/440
D696,253 S	12/2013	Akana et al.	D808,394 S *	1/2018	Lakraa	D14/440
D696,256 S *	12/2013	Piedra	D808,395 S *	1/2018	Fenton	D14/440
D696,669 S *	12/2013	Akana	D811,390 S *	2/2018	Kim	D14/345
8,607,976 B2	12/2013	Wu et al.	D811,411 S *	2/2018	Moore	D14/440
D700,611 S *	3/2014	Boldetti	D812,621 S	3/2018	Nyholm et al.	
8,672,126 B2	3/2014	Rohrbach et al.	D819,038 S *	5/2018	Diebel	D14/440
D702,673 S	4/2014	Murchison et al.	D820,839 S *	6/2018	Akana	D14/345
D704,769 S	5/2014	Penington	D822,675 S *	7/2018	Zhu	D14/455
8,714,351 B2	5/2014	Toulotte	2004/0240164 A1	12/2004	Lee	
8,724,300 B2	5/2014	Smith et al.	2006/0007645 A1	1/2006	Chen et al.	
8,746,446 B2	6/2014	Chiang	2007/0057140 A1 *	3/2007	Liou	F16M 11/10 248/456
D708,621 S	7/2014	Gifford et al.	2008/0029412 A1 *	2/2008	Ho	A47B 21/0314 206/320
8,807,333 B1	8/2014	Cooper et al.	2008/0167095 A1 *	7/2008	Kim	H04M 1/0216 455/575.3
8,817,457 B1	8/2014	Colby et al.	2009/0159763 A1 *	6/2009	Kim	F16M 13/00 248/174
D713,848 S	9/2014	Akana et al.	2009/0178938 A1 *	7/2009	Palmer	A45C 5/03 206/45.23
8,833,819 B2	9/2014	Chen	2009/0194209 A1 *	8/2009	De Filippis	A45C 11/00 150/107
8,878,637 B2	11/2014	Sartee et al.	2009/0201254 A1 *	8/2009	Rais	G06F 1/1613 345/168
D719,169 S *	12/2014	McBroom	2010/0294909 A1 *	11/2010	Hauser	A47B 23/043 248/456
8,905,231 B2 *	12/2014	Couch, III	2010/0300909 A1 *	12/2010	Hung	H04M 1/04 206/320
8,928,437 B2	1/2015	Lauder et al.	2011/0227463 A1 *	9/2011	Hou	A45C 9/00 312/223.1
8,944,715 B2	2/2015	Yoder	2011/0266194 A1 *	11/2011	Bau	A45C 11/00 206/736
8,960,421 B1 *	2/2015	Diebel	2011/0267748 A1	11/2011	Lane et al.	
D723,568 S *	3/2015	Kim	2011/0290687 A1 *	12/2011	Han	A45C 3/02 206/320
D724,090 S *	3/2015	Kim	2011/0297566 A1 *	12/2011	Gallagher	F16M 11/105 206/320
D727,916 S *	4/2015	Melmon	2011/0309117 A1	12/2011	Roberts	
D727,919 S *	4/2015	Melmon	2012/0088557 A1	4/2012	Liang	
D729,253 S *	5/2015	Nyholm	2012/0140396 A1 *	6/2012	Zeliff	G06F 1/1628 361/679.09
D733,152 S *	6/2015	Sirichai	2012/0268891 A1	10/2012	Cencioni	
D733,714 S	7/2015	Ballou et al.	2013/0020216 A1	1/2013	Chiou	
D734,340 S *	7/2015	Kim	2013/0048514 A1	2/2013	Corcoran et al.	
D736,777 S	8/2015	Rayner	2013/0048520 A1	2/2013	Garrett et al.	
9,095,194 B2 *	8/2015	Hassett	2013/0140194 A1 *	6/2013	Han	G06F 1/1656 206/45.23
D744,489 S *	12/2015	Sirichai	2013/0233762 A1	9/2013	Balaji et al.	
D744,492 S *	12/2015	Lin	2013/0264459 A1 *	10/2013	McCosh	G06F 1/1626 248/688
D744,745 S	12/2015	Fischer	2014/0291175 A1 *	10/2014	Chung	G06F 1/1656 206/45.23
9,215,303 B2	12/2015	Nyholm et al.	2015/0001105 A1	1/2015	Nyholm et al.	
9,225,814 B2	12/2015	Nyholm et al.	2015/0263776 A1	9/2015	Shyu et al.	
9,226,567 B2	1/2016	Potter et al.	2015/0296060 A1 *	10/2015	Gu	H04M 1/0235 455/575.4
D753,648 S *	4/2016	Shyu	2015/0296068 A1 *	10/2015	Chin	G06F 1/1628 455/575.8
9,307,062 B2 *	4/2016	Kim	2016/0011628 A1 *	1/2016	Sato	G06F 1/1656 361/679.3
D755,504 S	5/2016	Thomson	2016/0187937 A1 *	6/2016	Ahee	G06F 1/1681 361/679.09
D757,018 S	5/2016	Pearce				
D757,731 S	5/2016	Nguyen et al.				
D764,472 S *	8/2016	Corcoran				
D764,474 S	8/2016	Penn				
D764,475 S	8/2016	Penn				
D765,085 S	8/2016	Moore				
9,407,743 B1	8/2016	Hirshberg				
D772,880 S *	11/2016	Corcoran				
9,489,054 B1 *	11/2016	Sumsion				
D773,470 S *	12/2016	Akana				
D775,132 S	12/2016	Smith et al.				
D776,122 S	1/2017	Akana et al.				
D776,123 S	1/2017	Akana et al.				
D779,485 S *	2/2017	Akana				
9,578,941 B2 *	2/2017	MacLachlan				
D786,256 S	5/2017	Stewart				
D786,881 S	5/2017	Stewart et al.				

* cited by examiner

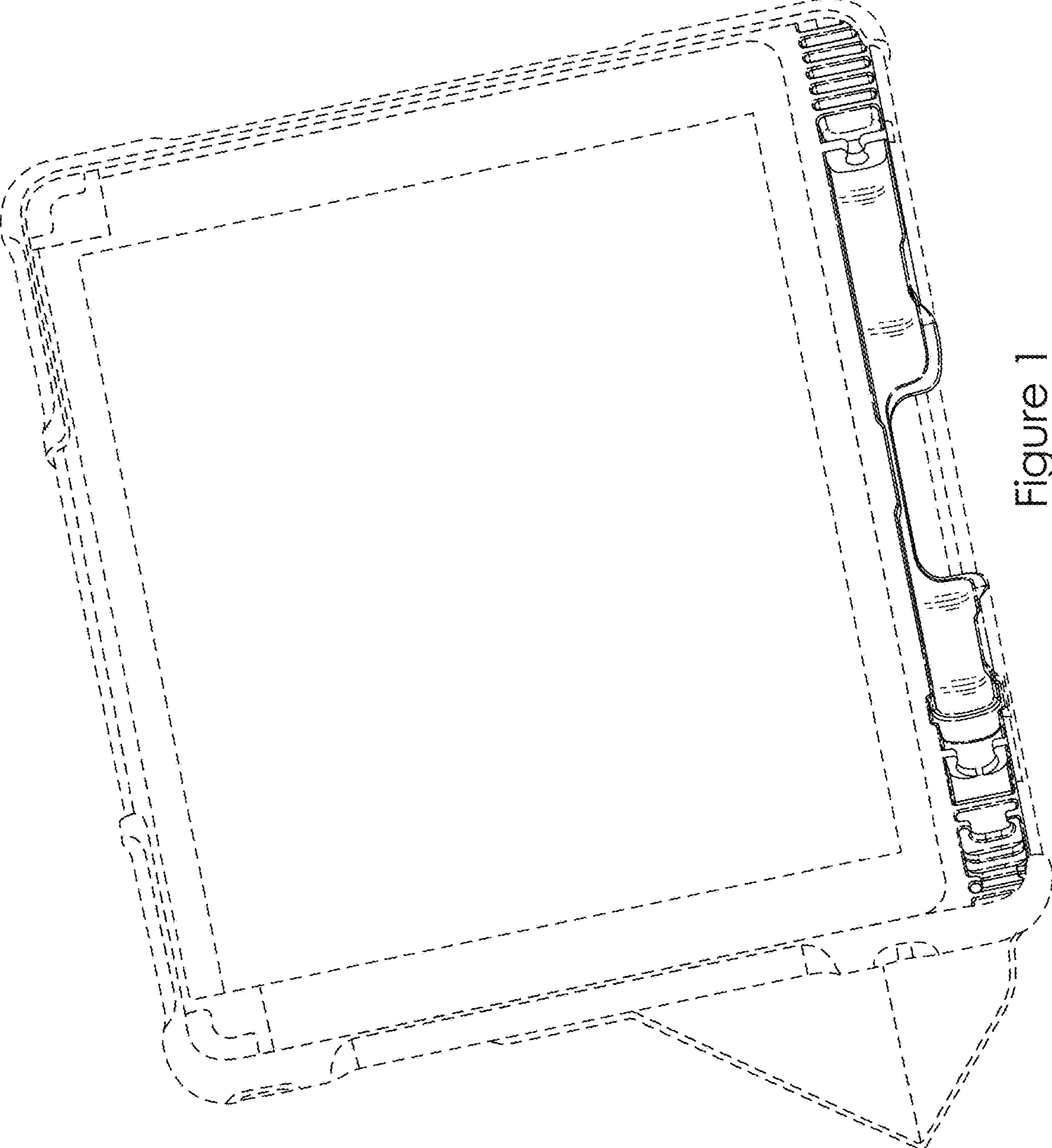


Figure 1

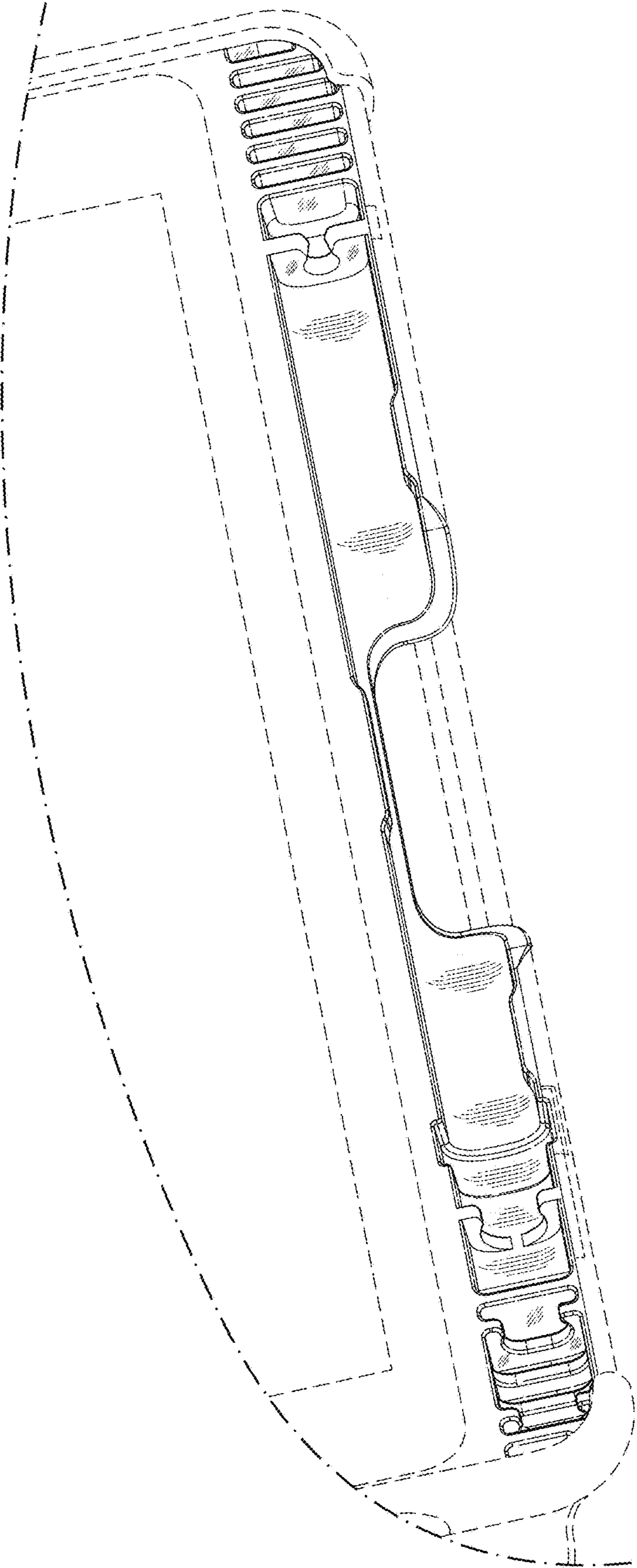


Figure 2

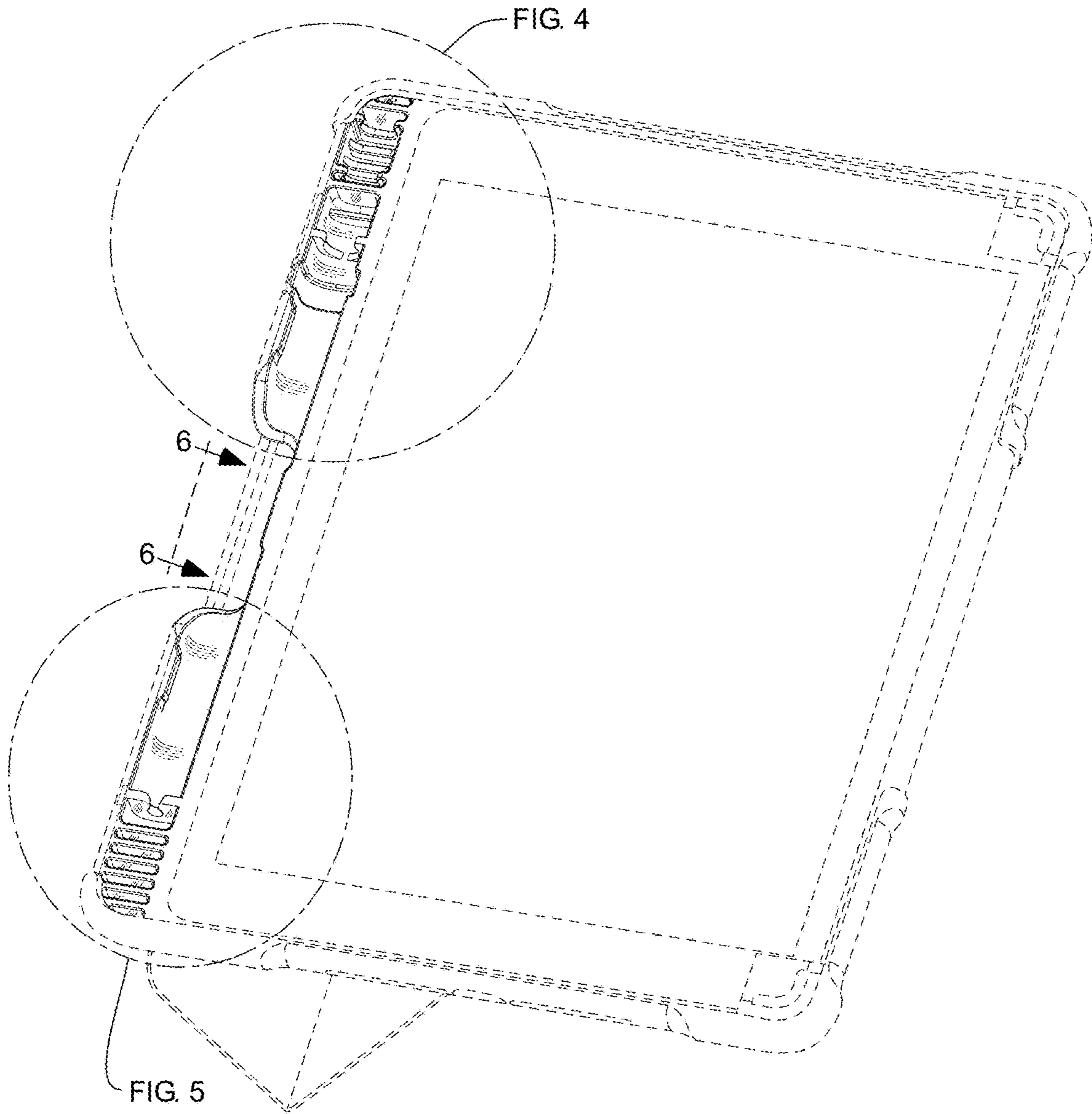


Figure 3

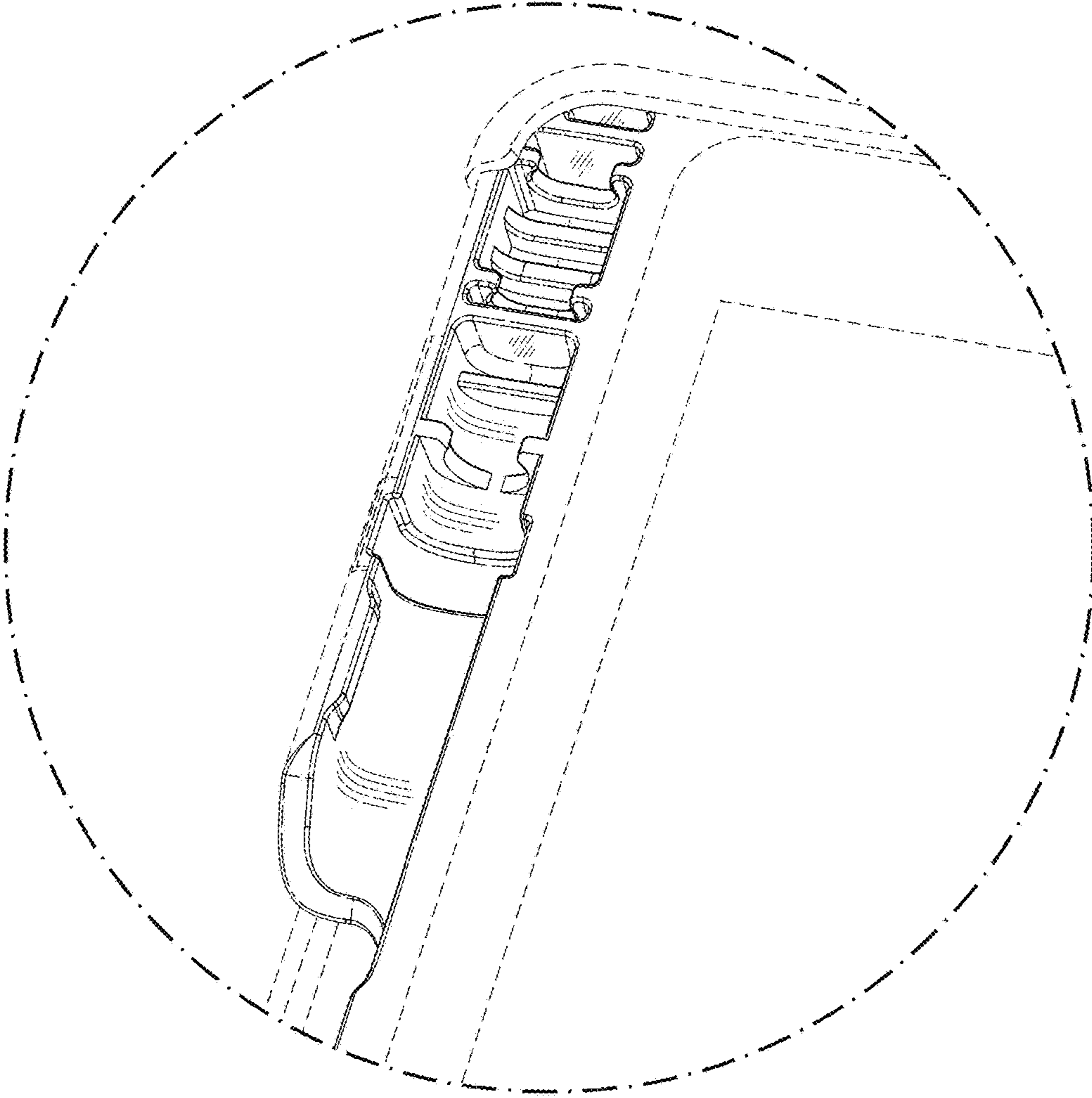


Figure 4

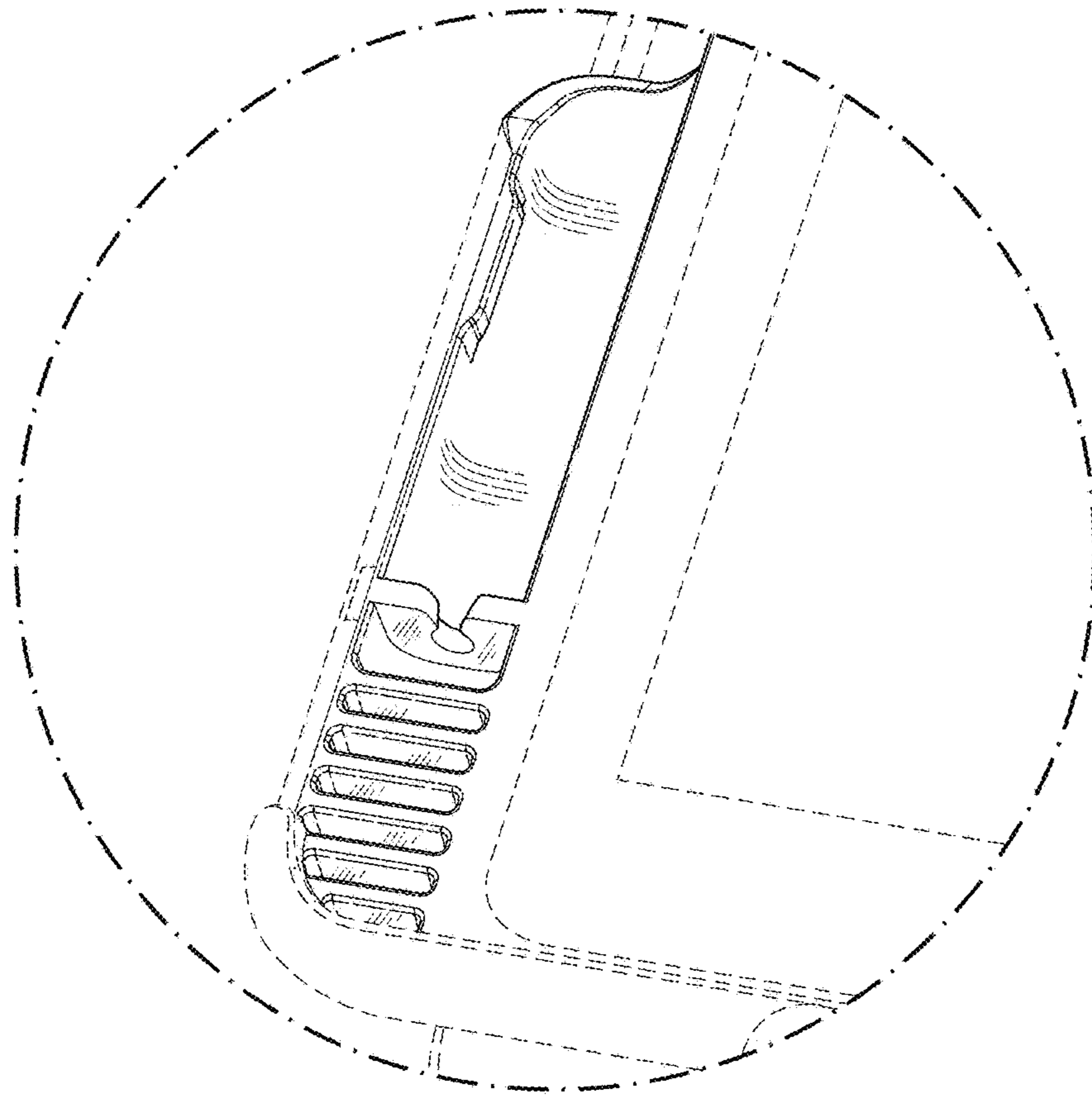


Figure 5

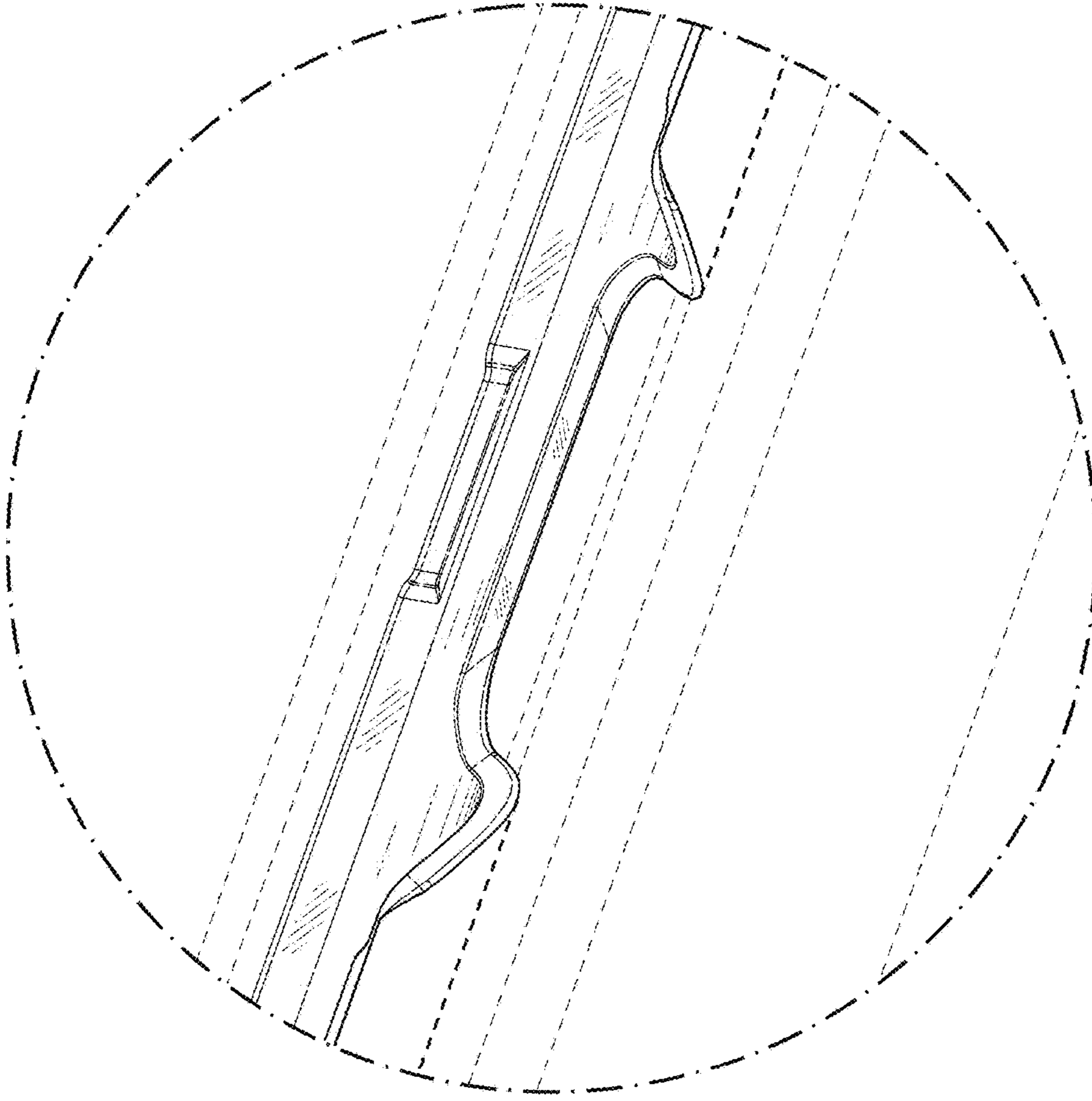


Figure 6

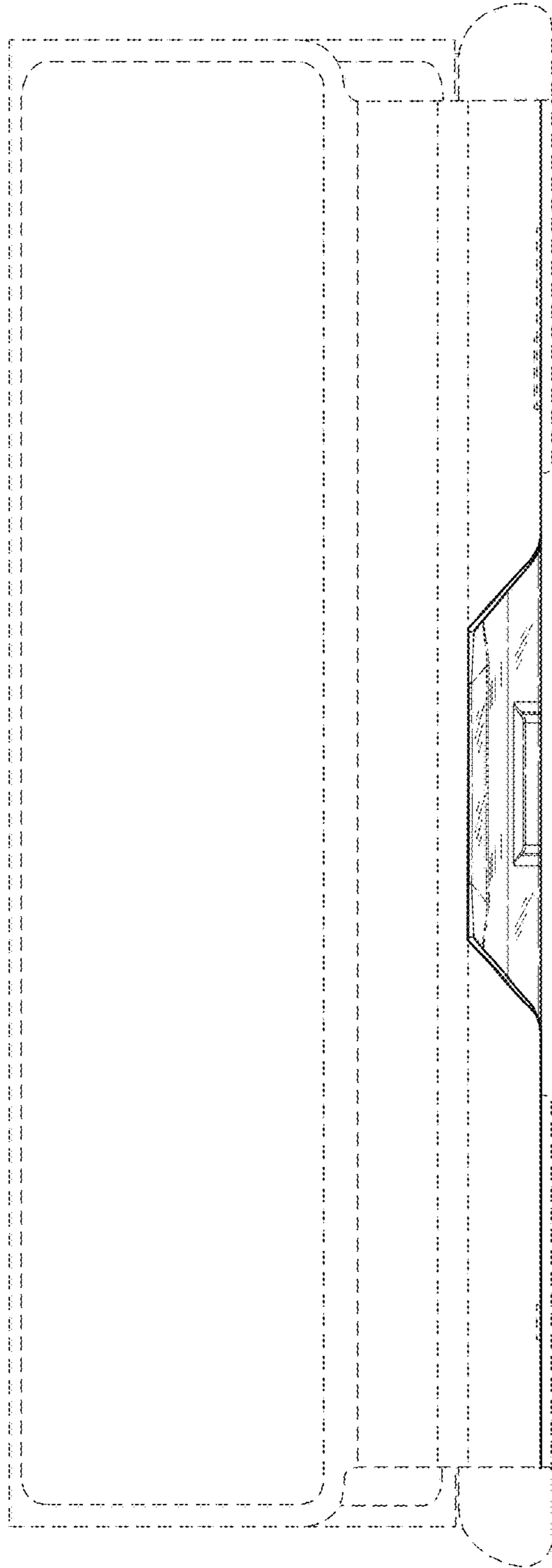


Figure 7

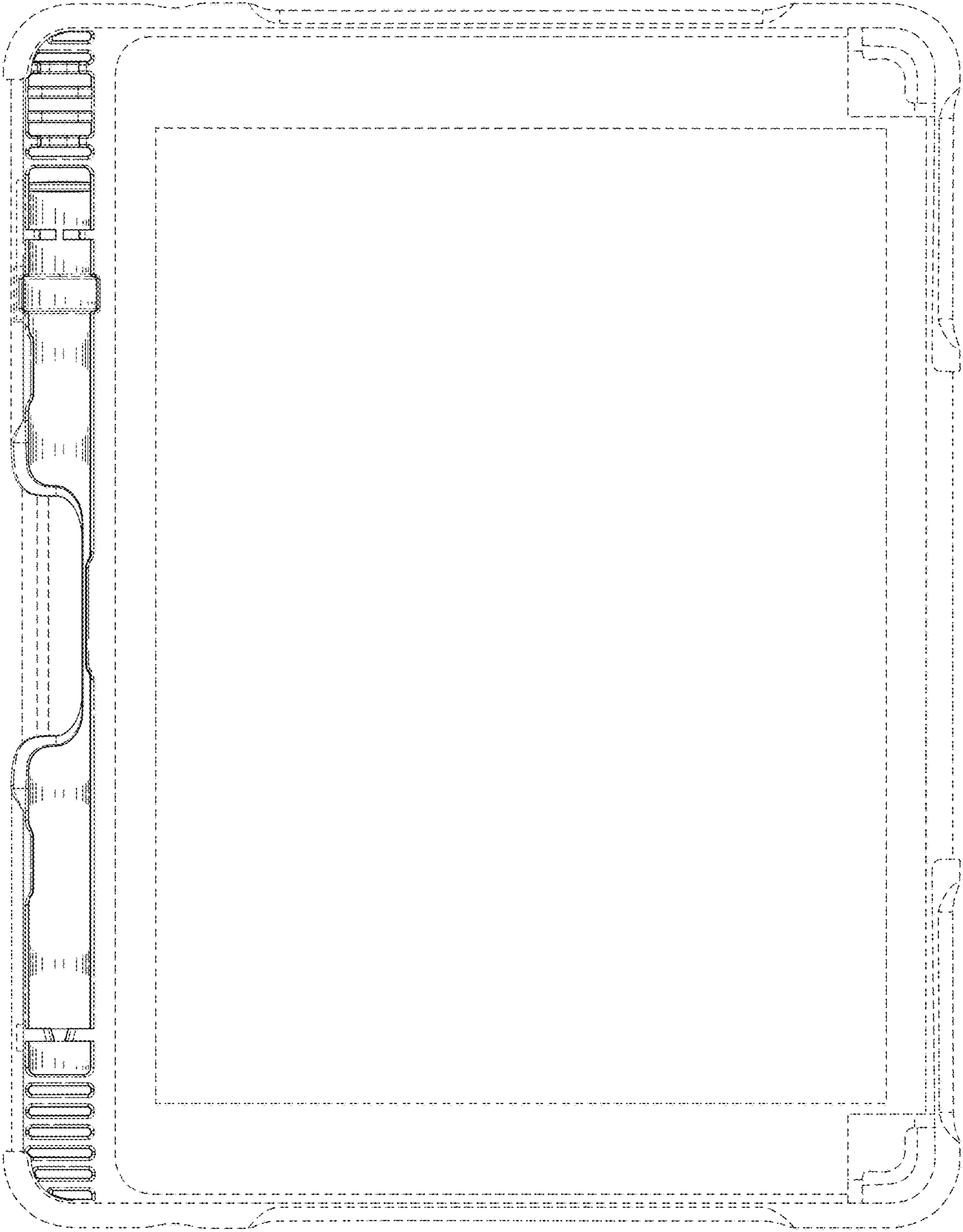


Figure 8