



US00D838273S

(12) **United States Design Patent**
Memke et al.

(10) **Patent No.:** **US D838,273 S**
(45) **Date of Patent:** **** Jan. 15, 2019**

(54) **OPTICAL SCANNER**

- (71) Applicant: **Hand Held Products, Inc.**, Fort Mill, SC (US)
- (72) Inventors: **David K. Memke**, Bainbridge Island, WA (US); **Roger Jackson**, Lake Forest Park, WA (US); **Tim Zurmoehle**, Seattle, WA (US); **William Herweh, III**, Seattle, WA (US); **Churu Yun**, Seattle, WA (US); **Matthew McElvogue**, Seattle, WA (US); **Rajat Shail**, Chicago, IL (US)
- (73) Assignee: **HAND HELD PRODUCTS, INC.**, Fort Mill, SC (US)

(**) Term: **15 Years**

(21) Appl. No.: **29/572,902**

(22) Filed: **Aug. 1, 2016**

(51) **LOC (11) Cl.** **14-02**

(52) **U.S. Cl.**
USPC **D14/426**

(58) **Field of Classification Search**
USPC D14/420, 426-430, 453, 346, 341, 347, D14/412, 138, 203.3, 168, 240, 358, 356, D14/265, 260, 238.1, 230, 209.1, D14/211-218, 415, 497, 496, 226-228, D14/221, 224, 224.1; D13/107, 184, 108, D13/144; 358/473; 235/462.43, 462.45, 235/462.47, 462.48, 462.44, 462.46, 487,
(Continued)

(56) **References Cited**

U.S. PATENT DOCUMENTS

- 2,642,520 A * 6/1953 Keely F21L 4/085
320/111
- 2,754,863 A * 7/1956 Yearley B25D 1/00
81/20

(Continued)

OTHER PUBLICATIONS

Bidwell et al., "Headset", Design U.S. Appl. No. 29/572,887, filed Aug. 1, 2016, 73 pages, [Not yet published/granted].
(Continued)

Primary Examiner — Susan Moon Lee
(74) *Attorney, Agent, or Firm* — Additon, Higgins & Pendleton, P.A.

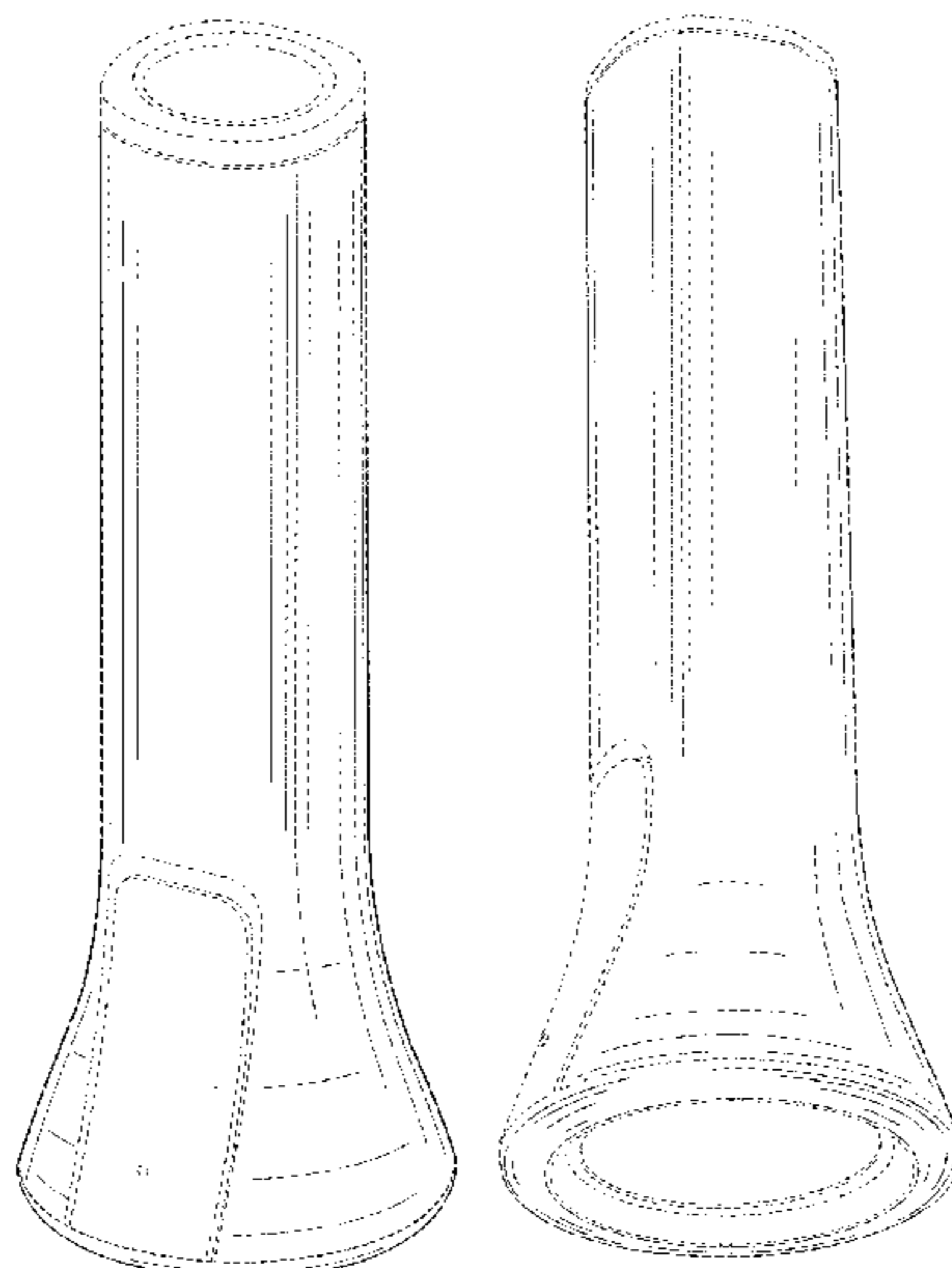
(57) **CLAIM**

We claim the ornamental design for an optical scanner, as shown and described.

DESCRIPTION

FIG. 1 is a top, front right perspective view of an optical scanner in accordance with the present invention.
FIG. 2 is a bottom, front right perspective view of the optical scanner of FIG. 1.
FIG. 3 is a bottom, front left perspective view of the optical scanner of FIG. 1.
FIG. 4 is a front elevation view of the optical scanner of FIG. 1.
FIG. 5 is a rear elevation view of the optical scanner of FIG. 1.
FIG. 6 is a right elevation view of the optical scanner of FIG. 1.
FIG. 7 is a left elevation view of the optical scanner of FIG. 1.
FIG. 8 is a top plan view of the optical scanner of FIG. 1; and,
FIG. 9 is a bottom plan view of the optical scanner of FIG. 1.
Broken lines and unshaded portions contained within broken lines depict portions of the optical scanner that form no part of the claimed design but are shown for purposes of illustration.

1 Claim, 9 Drawing Sheets



(58) Field of Classification Search

USPC 235/472.01, 472.02, 145 A, 145 R;
 D10/78; 324/426; D3/273; 710/73;
 D18/7; 361/679, 728, 679.56; 382/313,
 382/321; 455/575.1, 561, 572; 345/156,
 345/168, 169, 172, 173, 87; 705/17, 18,
 705/22-25; D8/315, 68, 80, 105, 107,
 D8/300-303, 307, 321, 29.1, 61, 70,
 D8/75-77, 81, 373; D7/591, 679;
 D24/133, 137, 158, 185-188, 210, 209,
 D24/200, 214; D11/143-146, 152-155;
 D22/117; D23/378, 364, 366; D28/5;
 D26/37-41, 46.49; D27/162; 362/157,
 362/171, 172, 178, 180, 183
 CPC G06F 1/626; G06F 1/1626; G06F 1/1656;
 G06F 1/1632; G06F 1/1684; G06F
 1/1635; G06F 8/63; G06F 17/30091;
 G06F 9/4401; G06K 7/10881; G06K
 7/1098; G06K 7/10722; G06K 7/1404;
 G06K 7/0004; G06K 7/10633; G06K
 7/10851; G06K 7/1091; G06K 7/1092;
 G06K 7/1093; G06K 7/10; G06K 7/109;
 G06K 7/1417; G06K 9/228; G06K
 17/0022; G06K 17/00; G06K 2207/1011;
 G06K 2207/1013; G06K 2207/1016;
 G06K 2207/1018; G06K 2017/0051;
 G06K 2017/0067; G06K 2007/10524;
 G07G 1/0081; G07G 1/009; G06Q 20/20;
 G06Q 20/201; G06Q 20/202; G06Q
 20/203; G06Q 20/30; G06Q 20/32; G06Q
 20/322; G06Q 20/4014; G06Q 10/087;
 H04N 1/00127; H04N 1/00135; H04N
 1/00326; H04N 1/00334; H04N 1/00307;
 H04N 1/107; H04N 2201/0084; H04N
 2101/00; H04M 1/0249; H04M 1/0262;
 H04M 1/0266; H04M 1/18; H04M 1/23;
 H04M 1/236; H04B 1/3827; H04B
 1/3833; H04B 1/3877; H04B 1/3883;
 H04B 1/3888; H04B 2001/3894; H01M
 2/1066; G10H 1/361

See application file for complete search history.

(56)

References Cited

U.S. PATENT DOCUMENTS

D209,074 S * 10/1967 Swett D7/591
 D213,401 S * 2/1969 Holder D8/14
 D231,684 S * 5/1974 Reyda D7/597
 D237,582 S * 11/1975 Mostyn D8/75
 D280,971 S * 10/1985 Newton D8/7
 D294,869 S * 3/1988 Kwan D26/49
 D329,796 S * 9/1992 Olson D8/107
 D342,138 S * 12/1993 Wollman D24/214
 D351,660 S * 10/1994 Ichikawa D24/200
 D367,416 S * 2/1996 Gustafson D8/107
 5,488,813 A * 2/1996 Weder A01G 5/04
 53/216
 D422,473 S * 4/2000 Spierer D8/107
 D491,654 S * 6/2004 Gatchell D23/364
 D495,043 S * 8/2004 Gatchell D23/364
 D496,480 S * 9/2004 Slattery D26/38
 D496,651 S * 9/2004 Borsboom D14/216
 D519,658 S * 4/2006 Izardel D10/111
 D531,875 S * 11/2006 Chen D8/80
 D534,898 S * 1/2007 Rashid D14/216
 D537,073 S * 2/2007 Peersman D14/213
 D538,430 S * 3/2007 Ohta D24/146
 D545,274 S * 6/2007 Dong D13/110
 D551,329 S * 9/2007 Cheng D23/364

D577,814 S * 9/2008 Seki D24/107
 D582,534 S * 12/2008 Conway D11/152
 D585,971 S * 2/2009 Carrizales, Jr. D23/366
 D591,853 S * 5/2009 Osterberg D24/105
 D597,527 S * 8/2009 Kim D14/211
 D604,277 S * 11/2009 Benedetti D14/230
 D613,692 S * 4/2010 Son D13/108
 D614,136 S * 4/2010 Chyan D13/144
 D614,137 S * 4/2010 Son D13/108
 D621,949 S * 8/2010 Seki D24/107
 D623,311 S * 9/2010 Aulwes D24/214
 D631,837 S * 2/2011 Smith D13/108
 D638,134 S * 5/2011 Nikitezuk D24/215
 D640,403 S * 6/2011 Kristiansen D26/61
 D643,102 S * 8/2011 Abbondanzio D23/366
 D646,007 S * 9/2011 Tompkin D26/46
 D647,082 S * 10/2011 Rawson D14/228
 D650,105 S * 12/2011 Crawford D26/41
 D654,875 S * 2/2012 Au D13/144
 D656,465 S * 3/2012 Au D13/144
 D659,120 S * 5/2012 Kim D14/211
 D659,257 S * 5/2012 Desberg D24/232
 D659,675 S * 5/2012 Kim D14/211
 D660,449 S * 5/2012 Sevier D24/211
 D670,844 S * 11/2012 von Waldthausen D26/46
 D670,985 S * 11/2012 Tompkin D26/49
 D672,313 S * 12/2012 Smith D13/144
 D684,312 S * 6/2013 Badawi D27/162
 D687,583 S * 8/2013 von Waldthausen D26/46
 D691,954 S * 10/2013 Lee D13/144
 D692,832 S * 11/2013 Esses D13/110
 D697,482 S * 1/2014 Cheng D13/144
 D698,953 S * 2/2014 Hinzmann D26/37
 D701,971 S * 4/2014 Valen D24/209
 D707,839 S * 6/2014 Bradley D24/209
 D710,481 S * 8/2014 Walter D22/117
 D710,660 S * 8/2014 Roberts, Jr. D7/679
 D710,743 S * 8/2014 Bartter D11/146
 D710,744 S * 8/2014 Bartter D11/146
 D711,522 S * 8/2014 Hsiao D23/366
 D711,523 S * 8/2014 Hsiao D23/366
 D711,830 S * 8/2014 Liu D13/144
 D714,923 S * 10/2014 Engelhard D23/364
 D717,509 S * 11/2014 Patton D32/46
 D719,916 S * 12/2014 Cheng D13/144
 D722,197 S * 2/2015 Helmbold D28/44
 D722,374 S * 2/2015 Lewis D23/332
 D723,481 S * 3/2015 Park D14/125
 D723,514 S * 3/2015 Lukic D14/213
 D729,377 S * 5/2015 Chen D23/378
 D733,280 S * 6/2015 Bourne D23/366
 D738,553 S * 9/2015 Fletcher D26/41
 D741,836 S * 10/2015 Greenwood D14/207
 D744,630 S * 12/2015 Ying D23/378
 D750,565 S * 3/2016 Venida D13/144
 D752,023 S * 3/2016 Lee D14/216
 D754,377 S * 4/2016 Nook D26/37
 D754,834 S * 4/2016 Mosell D23/366
 D760,671 S * 7/2016 Chalabi D14/125
 D760,912 S * 7/2016 Sedic D24/209
 D767,535 S * 9/2016 Koo D14/214
 D773,728 S * 12/2016 Eksouzian D27/162
 D775,752 S * 1/2017 Nook D26/38
 D777,309 S * 1/2017 Skoda D23/362
 D784,835 S * 4/2017 Kim D10/106.1
 D787,657 S * 5/2017 Farone D23/356
 D794,170 S * 8/2017 Lopez D23/332
 D795,407 S * 8/2017 Skoda D23/362
 D807,289 S * 1/2018 Wang D13/107
 D807,767 S * 1/2018 Kim D10/106.1
 D807,820 S * 1/2018 Nazar D13/108
 D808,556 S * 1/2018 Patel D26/46
 D810,340 S * 2/2018 Chang D26/62
 D811,367 S * 2/2018 Vaclavik D14/216
 D813,210 S * 3/2018 Benedetti D14/230
 D818,168 S * 5/2018 Chang D26/59
 D818,569 S * 5/2018 Farone D23/356
 2002/0178867 A1 * 12/2002 Lun B67B 7/0405
 81/3.2

(56)

References Cited

U.S. PATENT DOCUMENTS

2013/0193246 A1* 8/2013 Roberts, Jr. A47J 42/44
241/36
2014/0147297 A1* 5/2014 Iyer F04F 5/14
417/158
2017/0316767 A1* 11/2017 You G10H 1/361

OTHER PUBLICATIONS

Bidwell et al., "Headset", Design U.S. Appl. No. 29/572,890, filed Aug. 1, 2016, 65 pages, [Not yet published/granted].
Menke et al. "Optical Scanner", Design U.S. Appl. No. 29/572,896, filed Aug. 1, 2016, 57 pages, [Not yet published/granted].
Menke et al. "Optical Scanner", Design U.S. Appl. No. 29/572,898, filed Aug. 1, 2016, 57 pages, [Not yet published/granted].
Bidwell et al. "Printer", Design U.S. Appl. No. 29/572,909, filed Aug. 1, 2016, 51 pages, [Not yet published/granted].
Bidwell et al. "Optical Scanner", Design U.S. Appl. No. 29/572,904, filed Aug. 1, 2016, 84 pages, [Not yet published/granted].
Bidwell et al. "Optical Scanner and Handle", Design U.S. Appl. No. 29/572,907, filed Aug. 1, 2016, 130 pages, [Not yet published/granted].

* cited by examiner

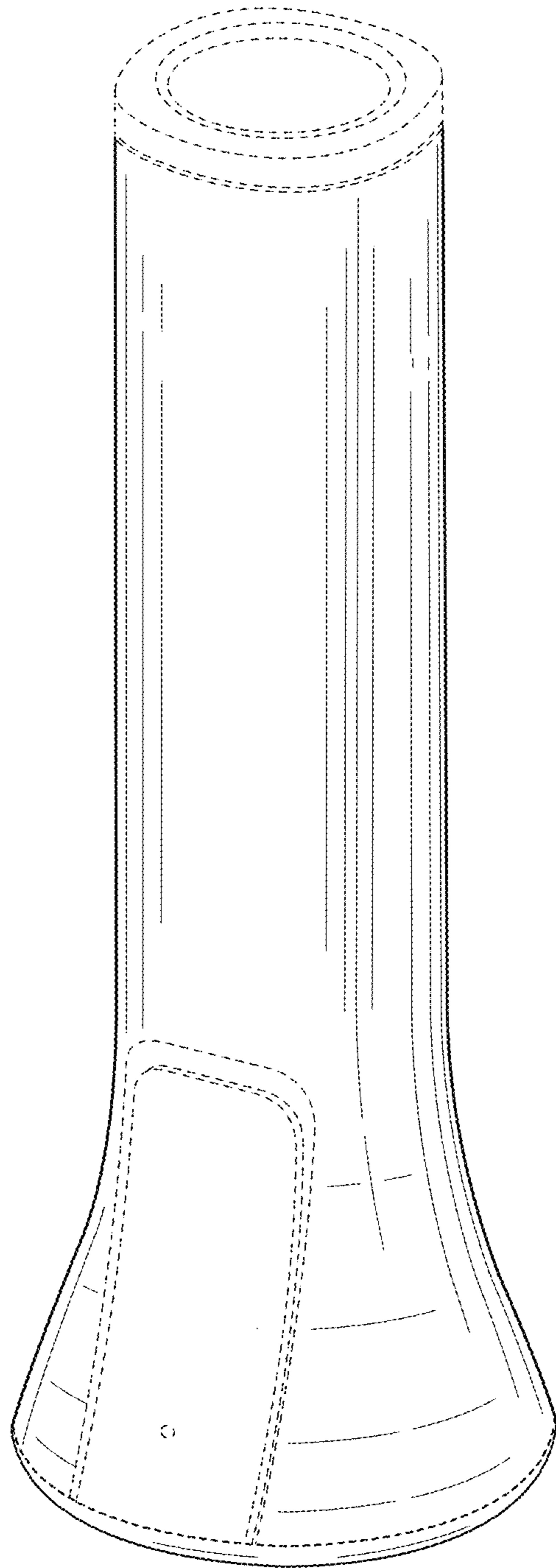


FIG. 1

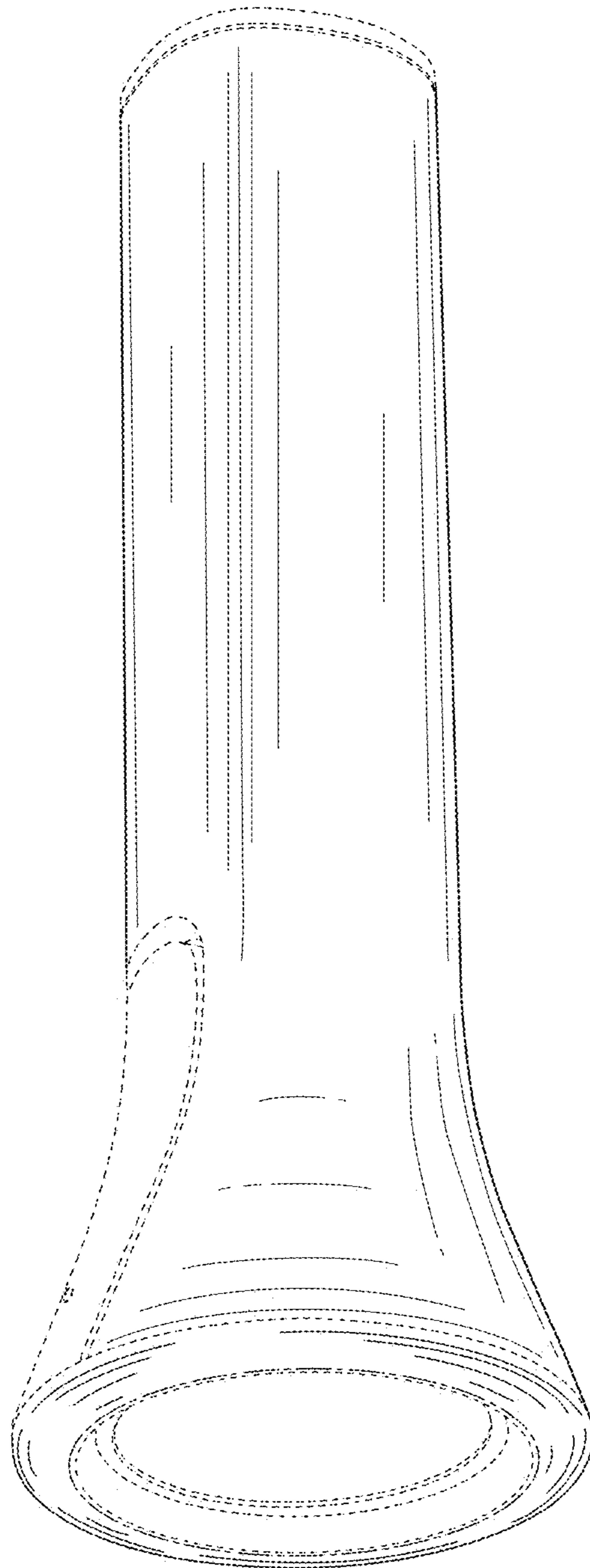


FIG. 2

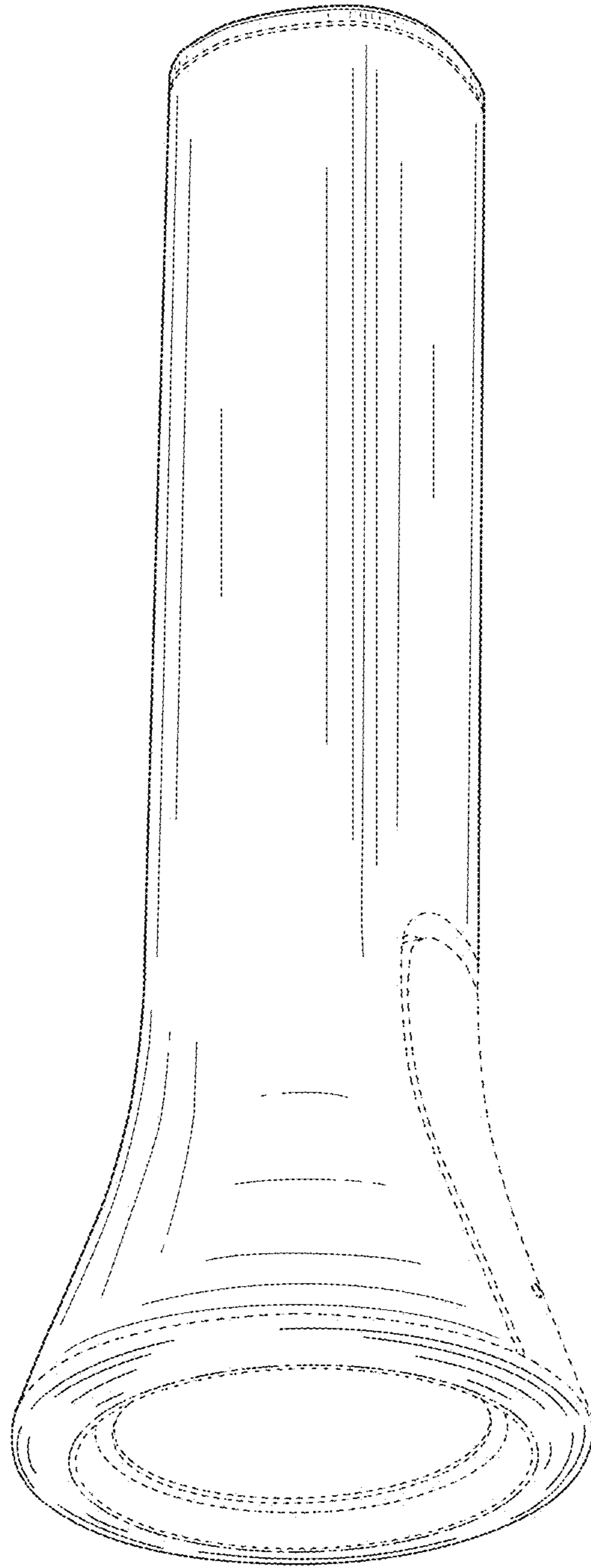


FIG. 3

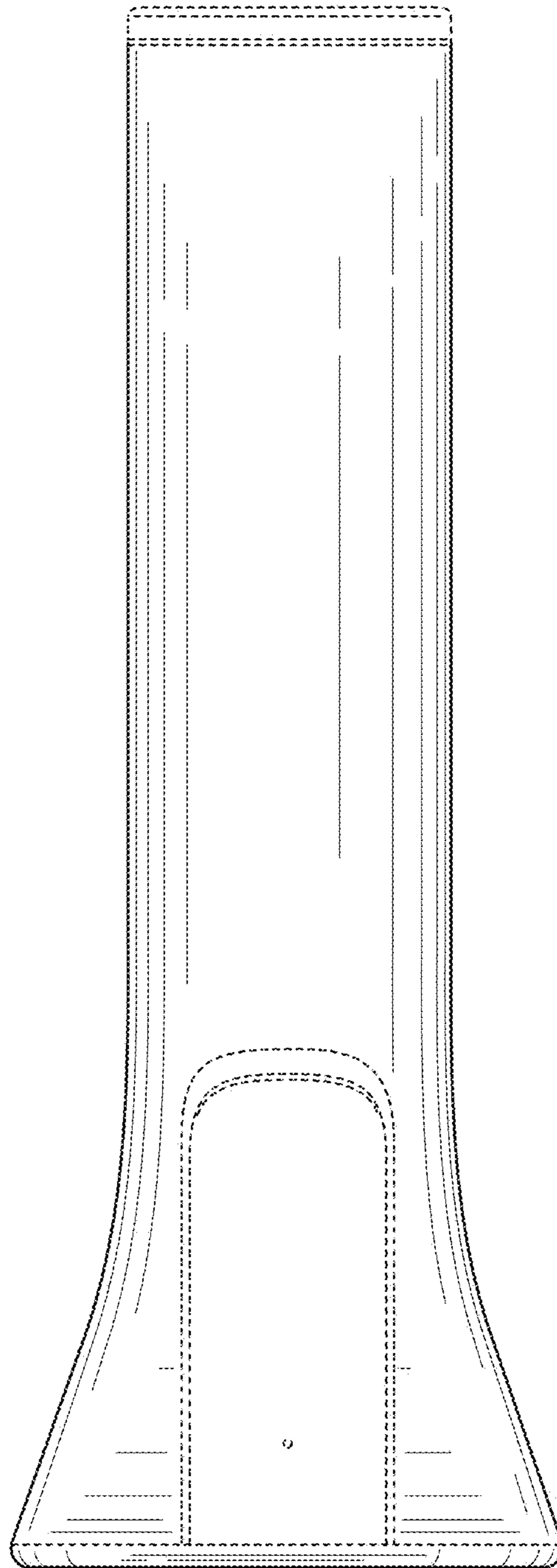


FIG. 4

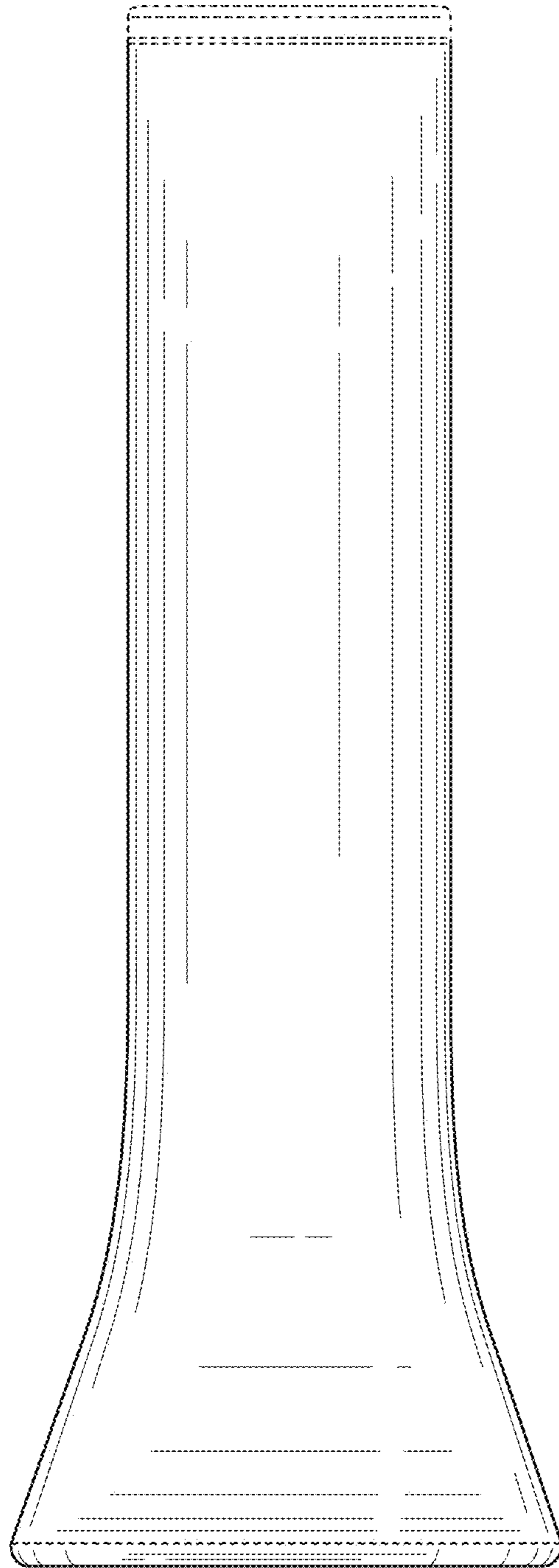


FIG. 5

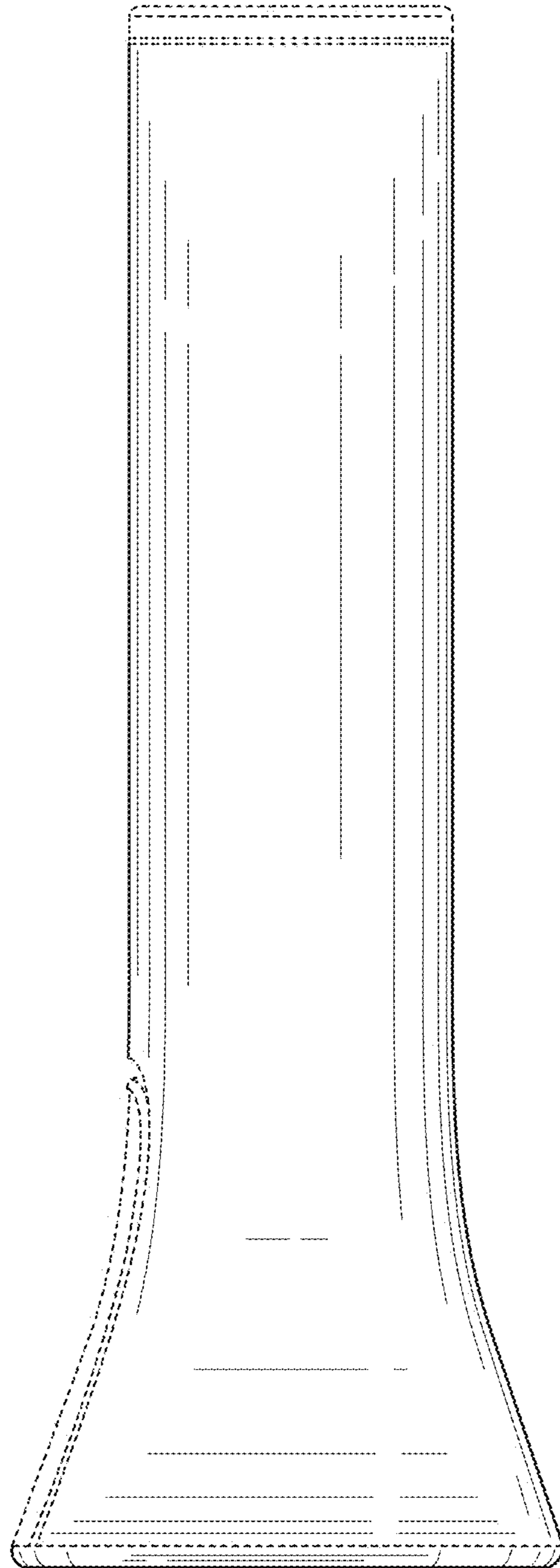


FIG. 6

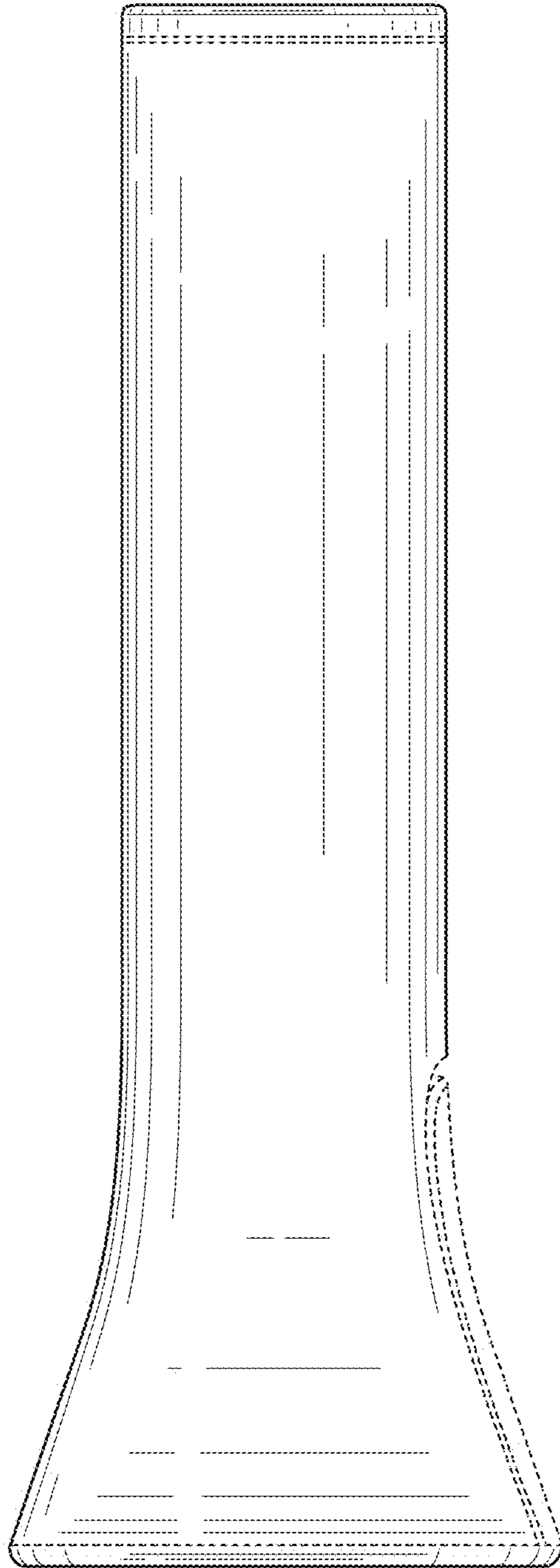


FIG. 7

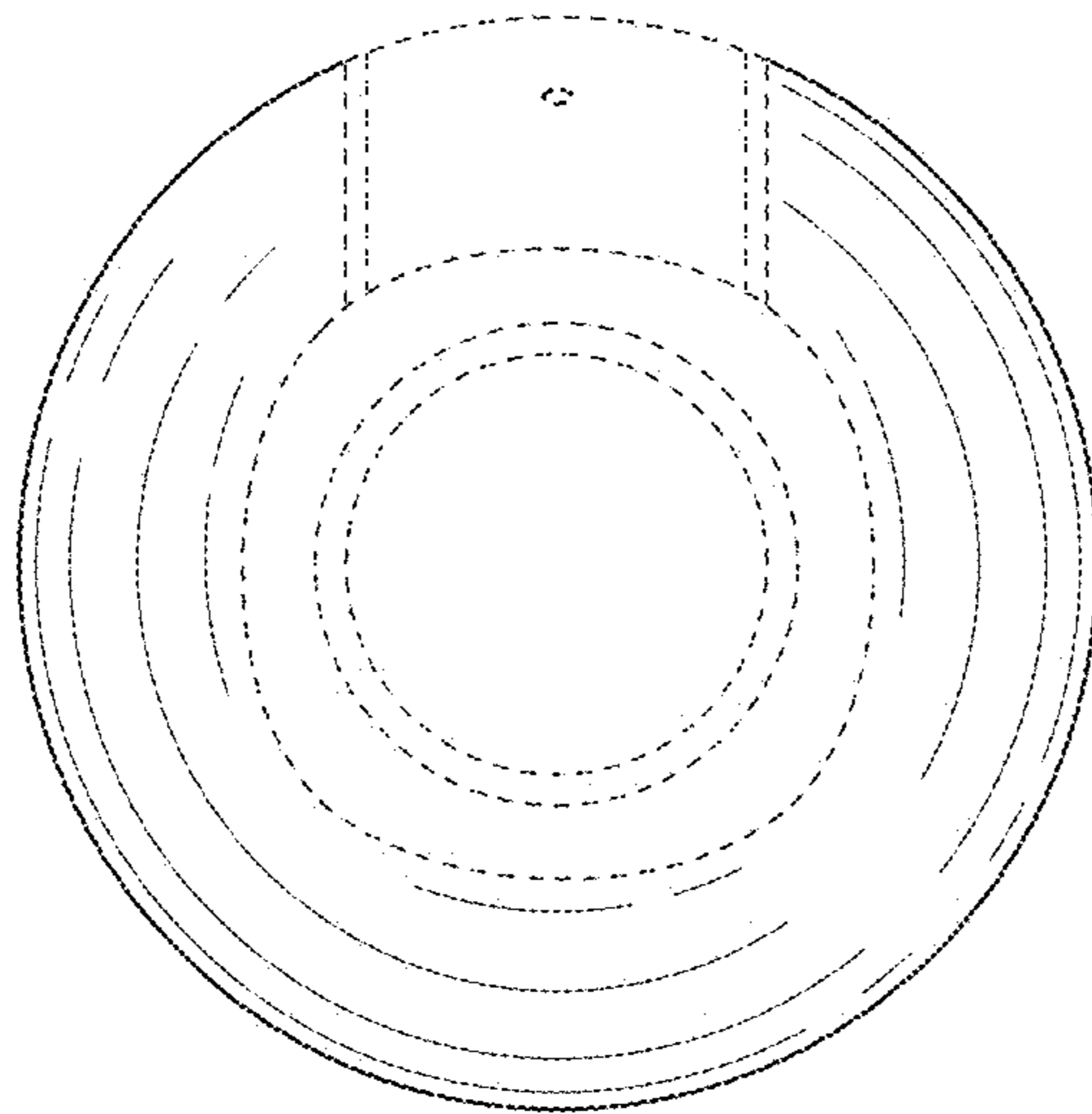


FIG. 8

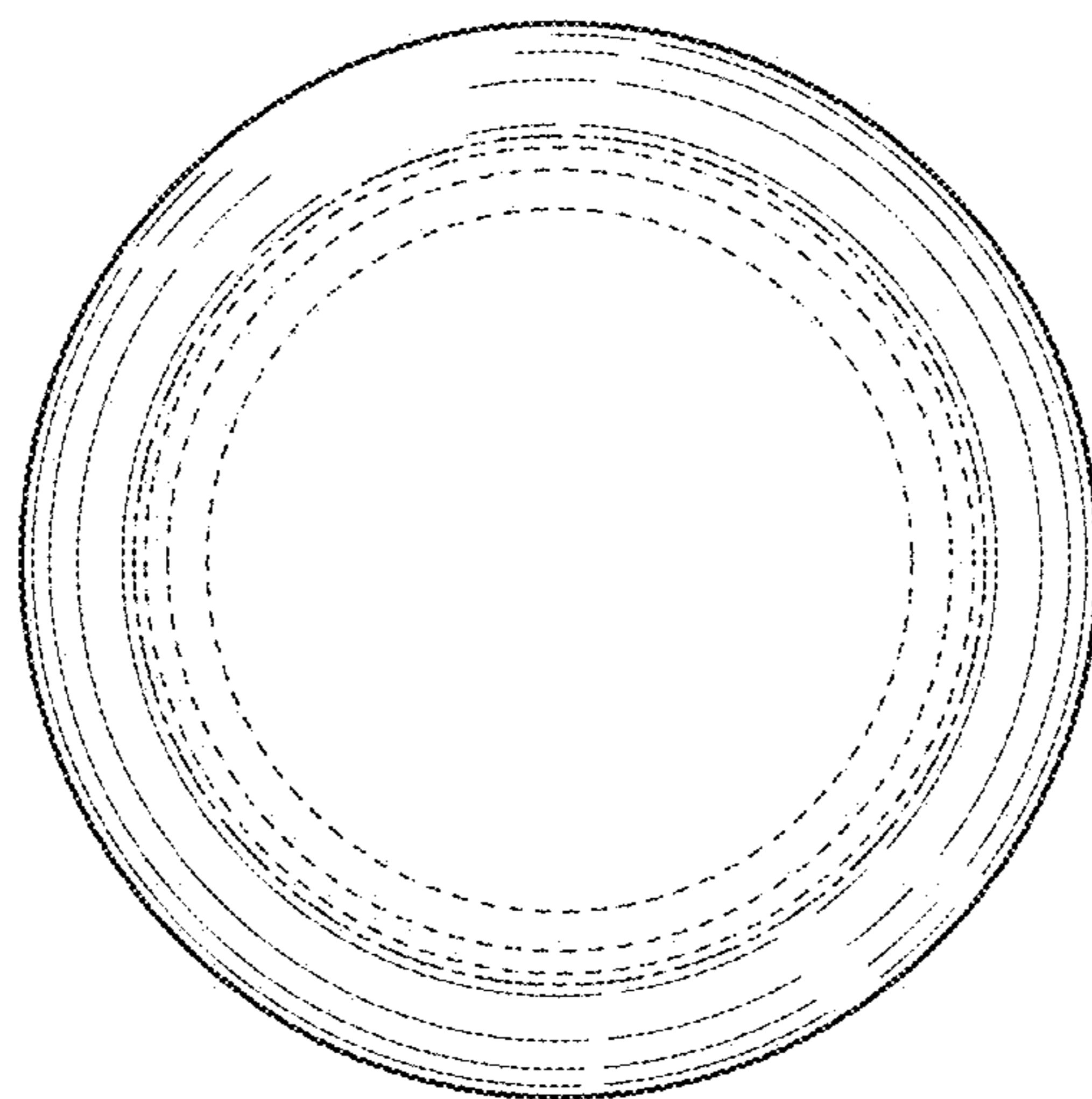


FIG. 9