



US00D838272S

(12) **United States Design Patent** (10) **Patent No.:** **US D838,272 S**  
**Jiang** (45) **Date of Patent:** **\*\* Jan. 15, 2019**

(54) **WIRELESS MINI KEYBOARD**

H04M 1/0237; H01H 13/14; H01H 13/84;  
B41J 5/00; B41J 5/12; B41J 5/10

(71) Applicant: **Wei Jiang**, Xiangyin County (CN)

See application file for complete search history.

(72) Inventor: **Wei Jiang**, Xiangyin County (CN)

(56) **References Cited**

(\*\*) Term: **15 Years**

U.S. PATENT DOCUMENTS

(21) Appl. No.: **29/618,500**

D452,280 S *	12/2001	Ota	.....	D21/329
D729,245 S *	5/2015	Pang	.....	D14/398
D729,802 S *	5/2015	Pang	.....	D14/398

(22) Filed: **Sep. 21, 2017**

\* cited by examiner

(30) **Foreign Application Priority Data**

Jun. 19, 2017 (CN) ..... 2017 3 0251695

*Primary Examiner* — Freda S Nunn

(51) **LOC (11) Cl.** ..... **14-02**

(74) *Attorney, Agent, or Firm* — Oliff PLC

(52) **U.S. Cl.**  
USPC ..... **D14/398**

(57) **CLAIM**

The ornamental design for a wireless mini keyboard, as shown and described.

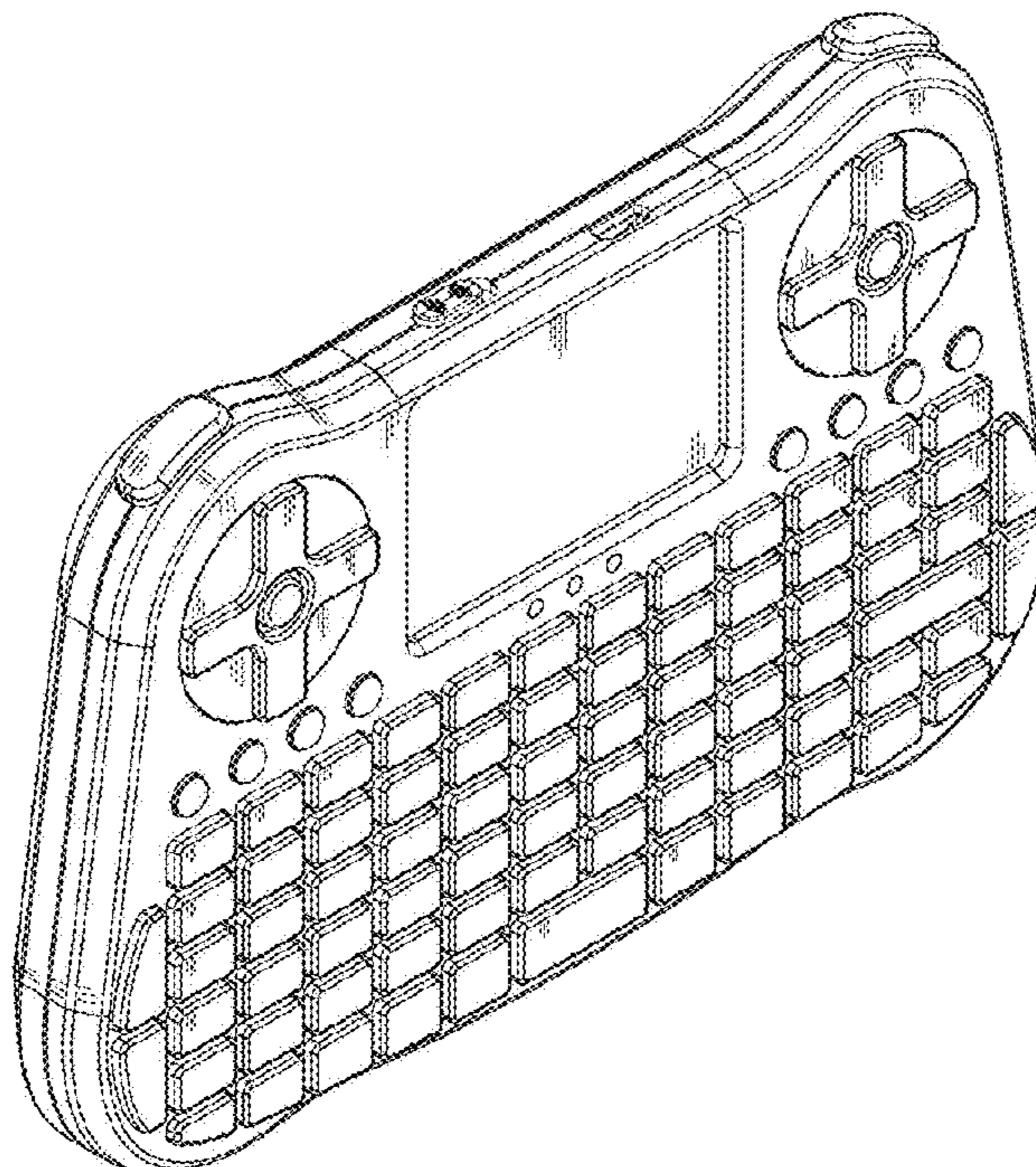
(58) **Field of Classification Search**  
USPC ..... D14/315-327, 391-399, 455, 456;  
D18/1, 2, 7, 11; 235/145 A, 145 R;  
341/22, 23; 345/104, 156, 168, 169, 173;  
361/679.08, 679.09, 679.11, 679.26,  
361/679.27

**DESCRIPTION**

CPC ..... G06F 1/16; G06F 1/1616; G06F 1/1626;  
G06F 1/1632; G06F 1/1613; G06F  
1/1601; G06F 1/1618; G06F 1/162; G06F  
3/0221; G06F 3/0216; H01R 35/02;  
H03M 11/00; G09B 13/04; H03K 17/94;  
G09G 5/00; F16M 11/10; H05K 5/00;

FIG. 1 is a front, top, left-side perspective view of the wireless mini keyboard;  
FIG. 2 is a front elevational view thereof;  
FIG. 3 is a top plan view thereof;  
FIG. 4 is a right-side elevational view thereof;  
FIG. 5 is a left-side elevational view thereof;  
FIG. 6 is a rear elevational view thereof; and,  
FIG. 7 is a bottom plan view thereof.

**1 Claim, 3 Drawing Sheets**



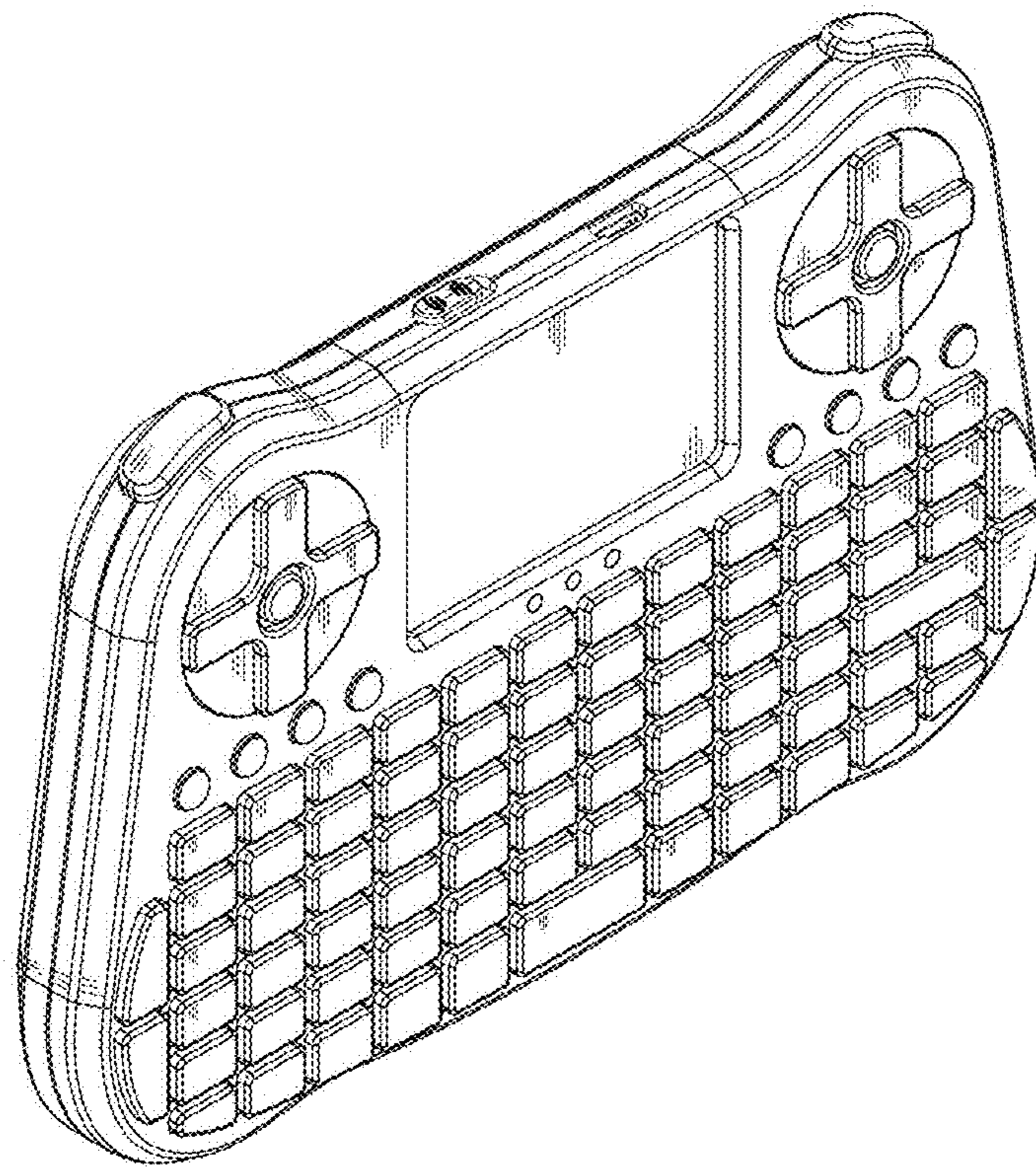


FIG. 1

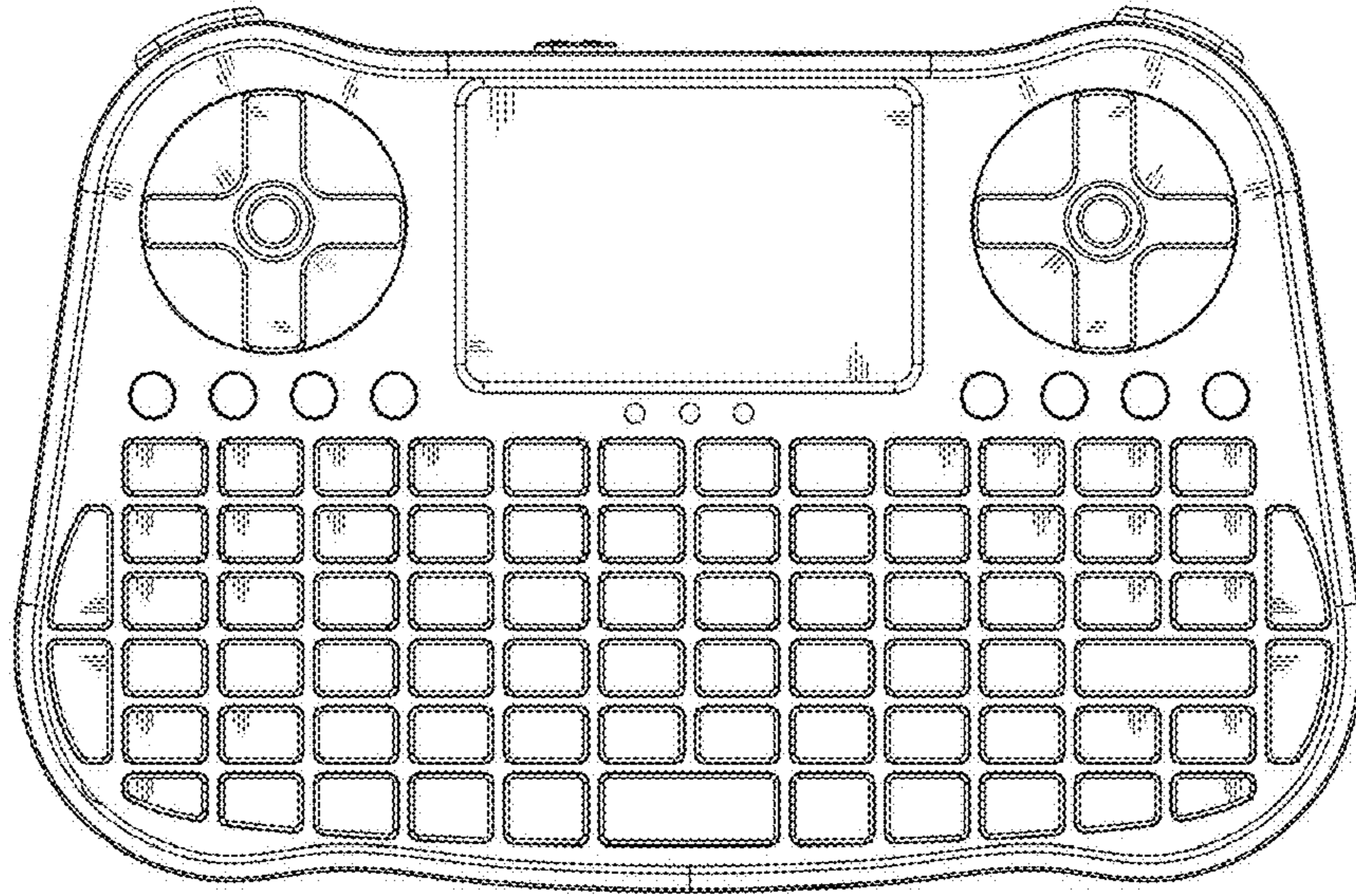


FIG. 2

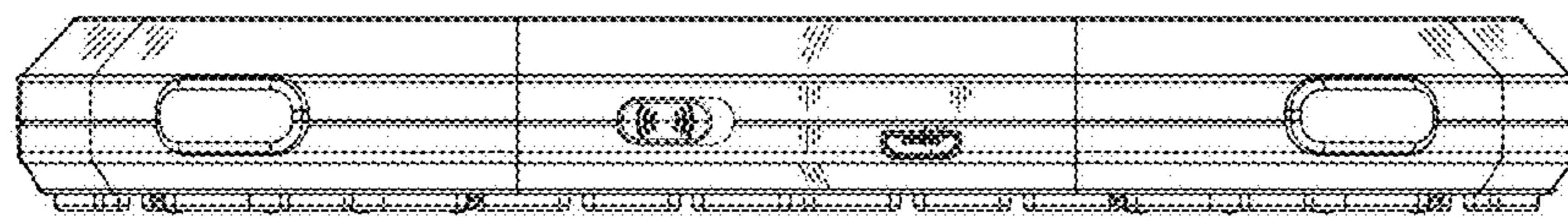


FIG. 3

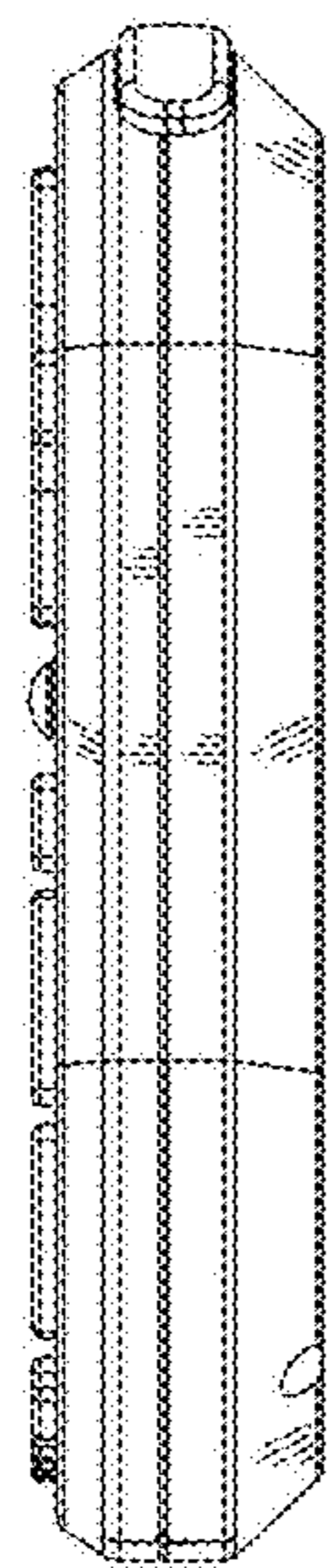


FIG. 4



FIG. 5

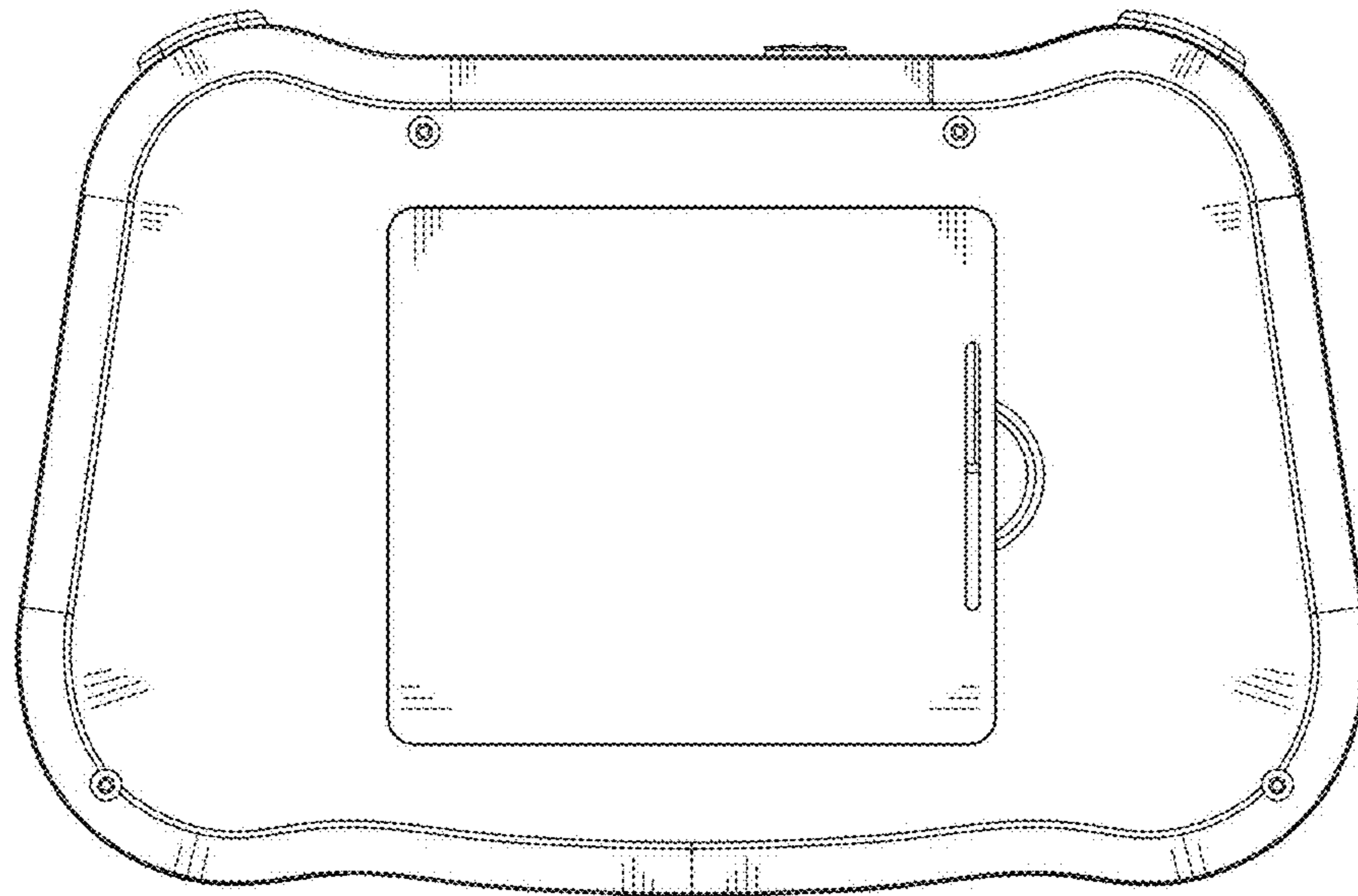


FIG. 6

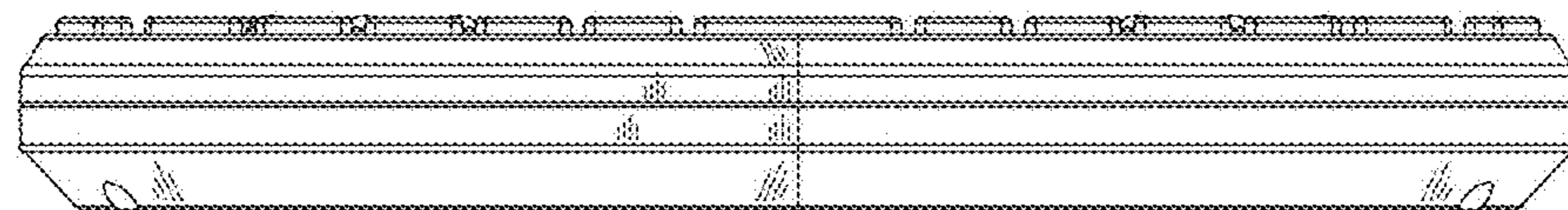


FIG. 7