



US00D838268S

(12) **United States Design Patent** (10) **Patent No.:** **US D838,268 S**
Little et al. (45) **Date of Patent:** **** Jan. 15, 2019**

(54) **COMPUTER**

F16M 11/04; F16M 11/24; F16M 13/02;
A47F 5/00; A47F 7/024; G08B 13/1445;
B60R 11/0235

(71) Applicant: **HEWLETT-PACKARD
DEVELOPMENT COMPANY, L.P.**,
Houston, TX (US)

See application file for complete search history.

(72) Inventors: **Joshua Glenn Little**, Palo Alto, CA
(US); **Glenn A. Wong**, Sunnyvale, CA
(US); **Jack Godfrey Wood**, London
(GB); **Seongmin Hwang**, London (GB);
Marcus Hoggarth, London (GB)

(56) **References Cited**

U.S. PATENT DOCUMENTS

D496,184 S *	9/2004	Sapp	D14/305
D567,237 S *	4/2008	Kim	D14/314
D618,682 S *	6/2010	Haase	D14/371
D742,375 S *	11/2015	Kang	D14/126
D747,717 S *	1/2016	Kim	D14/336
D781,283 S *	3/2017	Son	D14/336
D805,511 S *	12/2017	Sun	D14/336
D806,069 S *	12/2017	Peng	D14/336

(Continued)

(**) Term: **15 Years**

Primary Examiner — Richard E Chilcot

(21) Appl. No.: **35/001,221**

(74) *Attorney, Agent, or Firm* — Morgan Lewis &
Bockius (US LC)—USD

(22) Filed: **Jun. 21, 2016**

(57) **CLAIM**

(80) **Hague Agreement Data**

The ornamental design for a computer, as shown and
described.

Int. Filing Date: **Jun. 21, 2016**

Int. Reg. No.: **DM/095824**

Int. Reg. Date: **Jun. 21, 2016**

Int. Reg. Pub. Date: **May 12, 2017**

DESCRIPTION

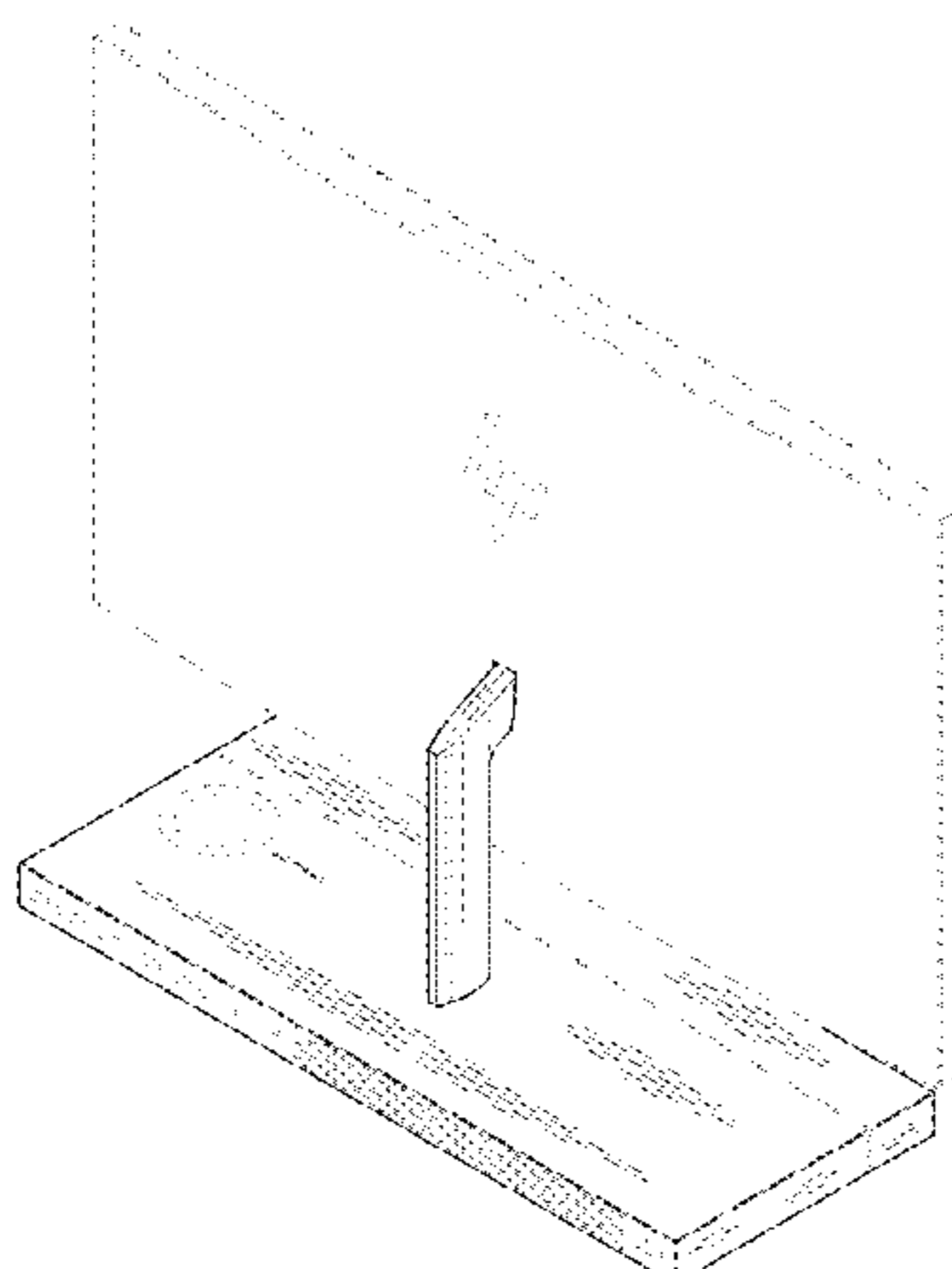
(51) **LOC (11) Cl.** **14-02**

(52) **U.S. Cl.**
USPC **D14/314**; D14/336; D14/371
CPC **G06F 1/16** (2013.01)

(58) **Field of Classification Search**
USPC D14/314, 356–376, 125–129, 336, 337,
D14/447–451; D6/300, 308, 329, 642,
D6/682, 708, 708.17; D19/113, 114
CPC G09F 15/0025; G09F 15/0062; G09F
15/0068; G06F 1/16; G06F 1/1613; G06F
1/133308; G06F 1/1601; G06F 3/037;
G06F 1/162; F16M 11/02; F16M 11/10;
F16M 11/00; F16M 11/06; F16M 11/14;
F16M 11/18; F16M 11/045; F16M
11/105; F16M 11/041; F16M 11/126;

- 1.-2. Computers
- 1.1 : Perspective
- 1.2 : Perspective
- 1.3 : Front
- 1.4 : Back
- 1.5 : Left
- 1.6 : Right
- 1.7 : Top
- 1.8 : Bottom
- 2.1 : Perspective
- 2.2 : Perspective
- 2.3 : Front
- 2.4 : Back
- 2.5 : Left
- 2.6 : Right
- 2.7 : Top
- 2.8 : Bottom

(Continued)



A combined computer and base for a monitor; the broken lines shown in the drawings represent portions of the computer that form no part of the claimed design.

1 Claim, 16 Drawing Sheets

(56)

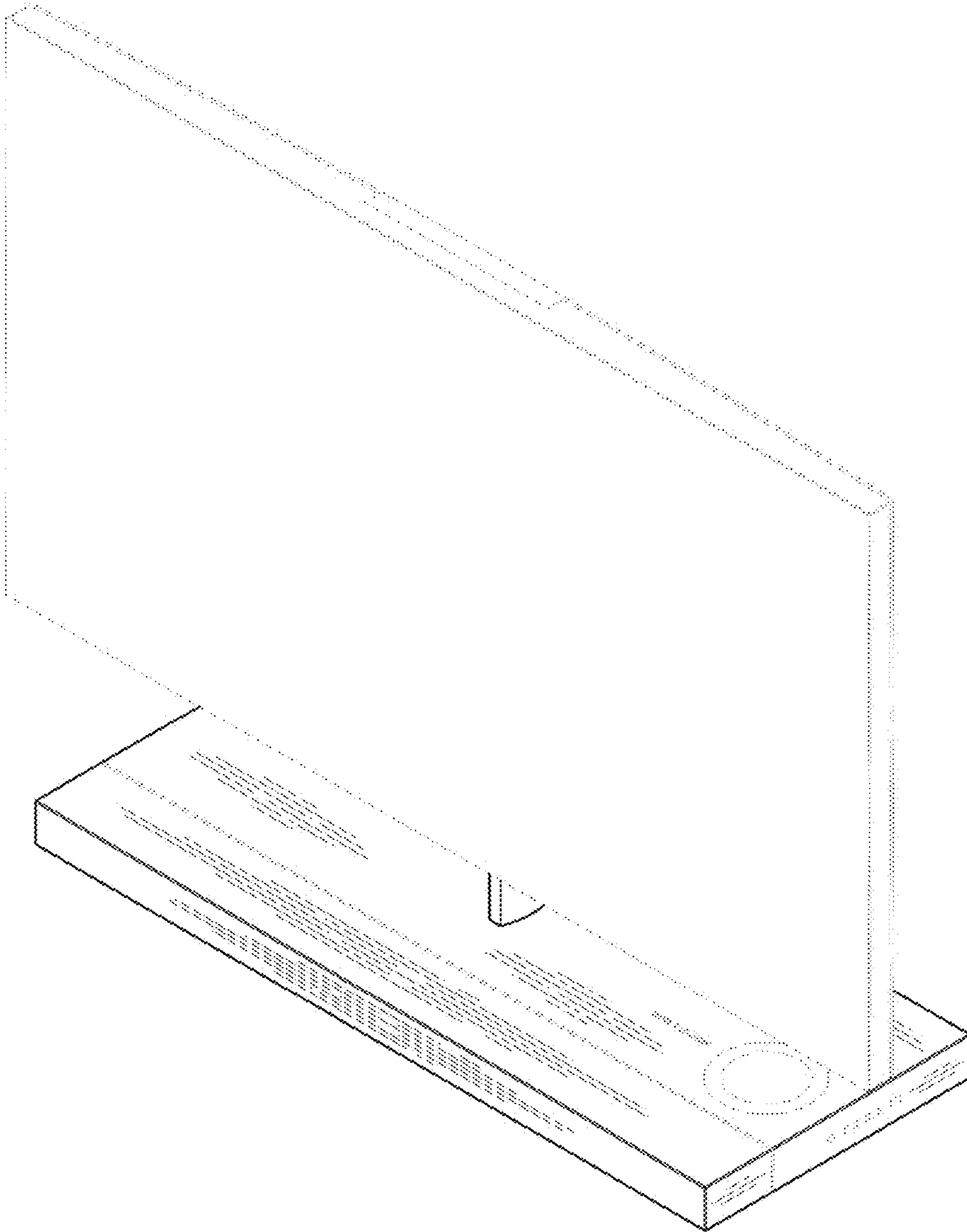
References Cited

U.S. PATENT DOCUMENTS

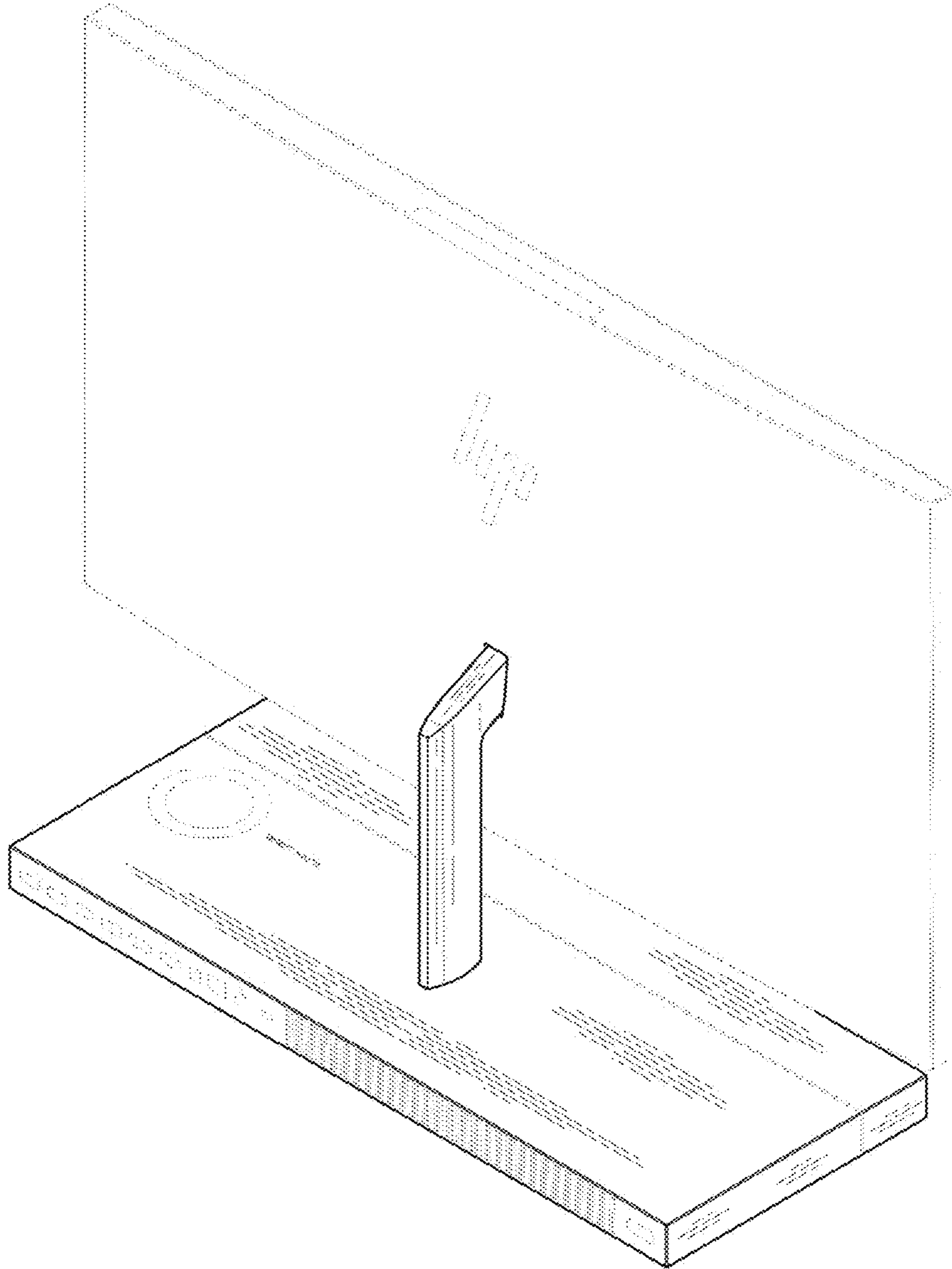
D808,965 S *	1/2018	Bergeron-Mirsky	D14/371
D821,386 S *	6/2018	Dou	D14/314
D824,384 S *	7/2018	Magi	D14/356
D824,895 S *	8/2018	Tivnon	D14/314

* cited by examiner

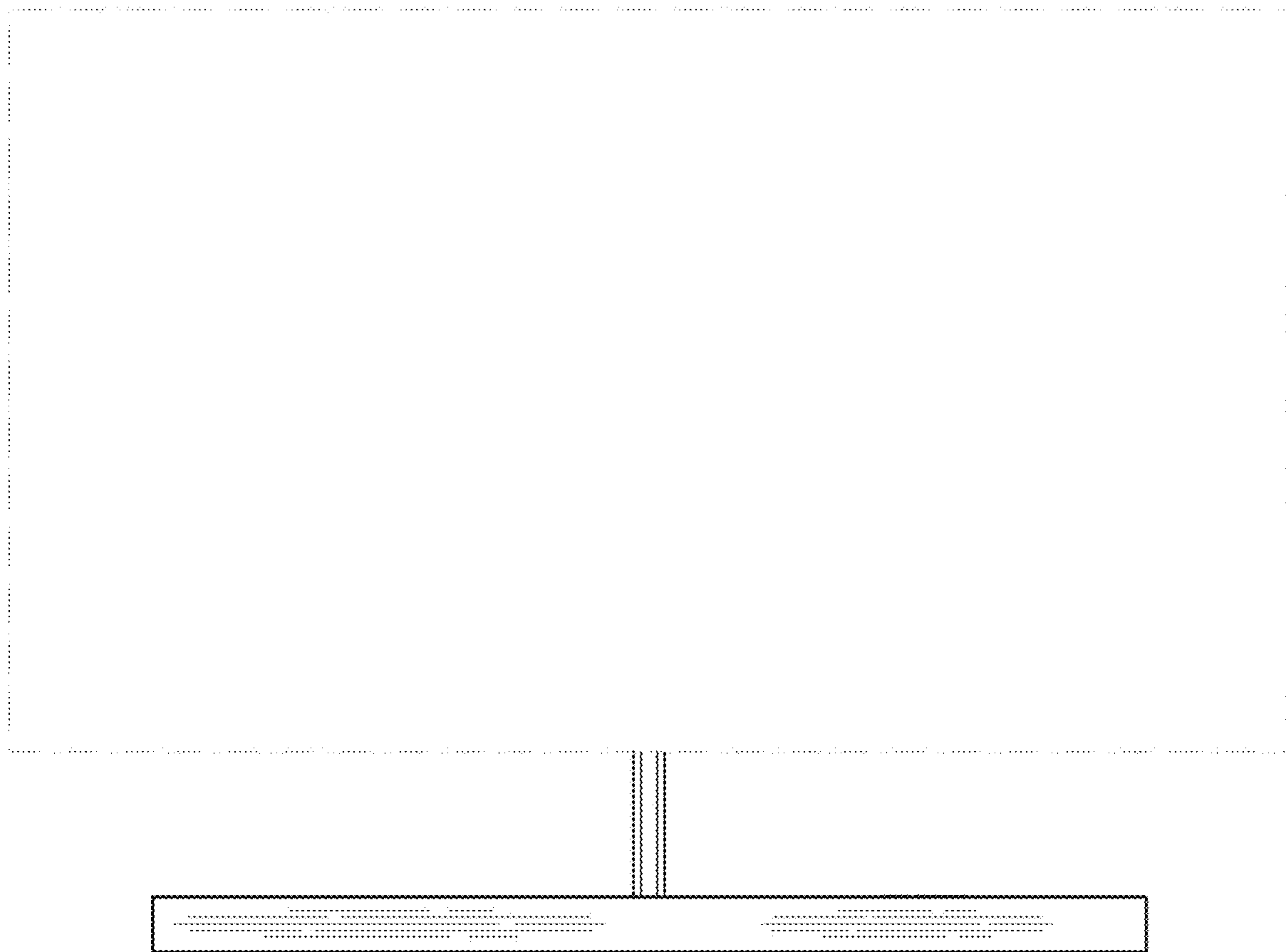
1.1



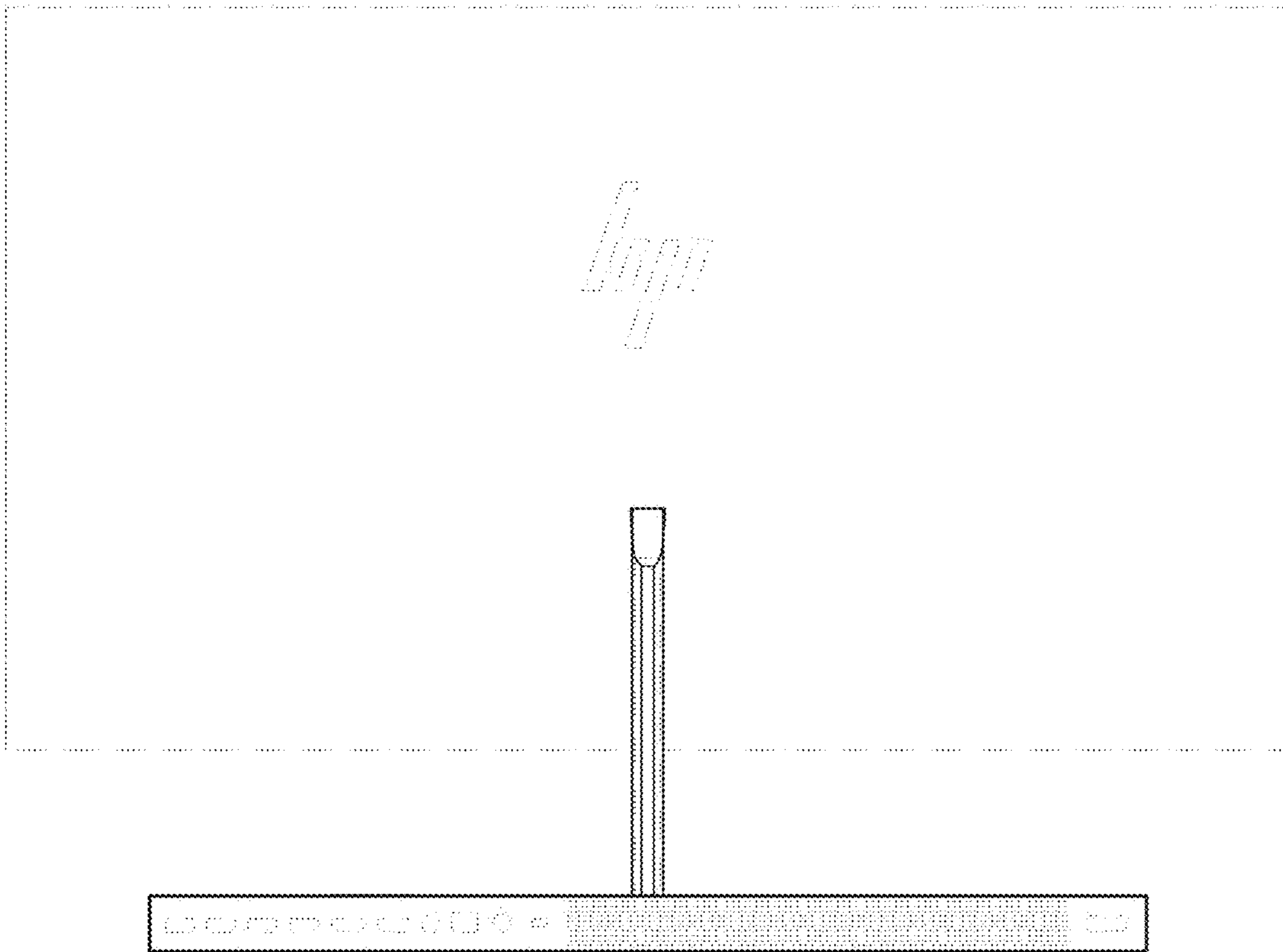
1.2



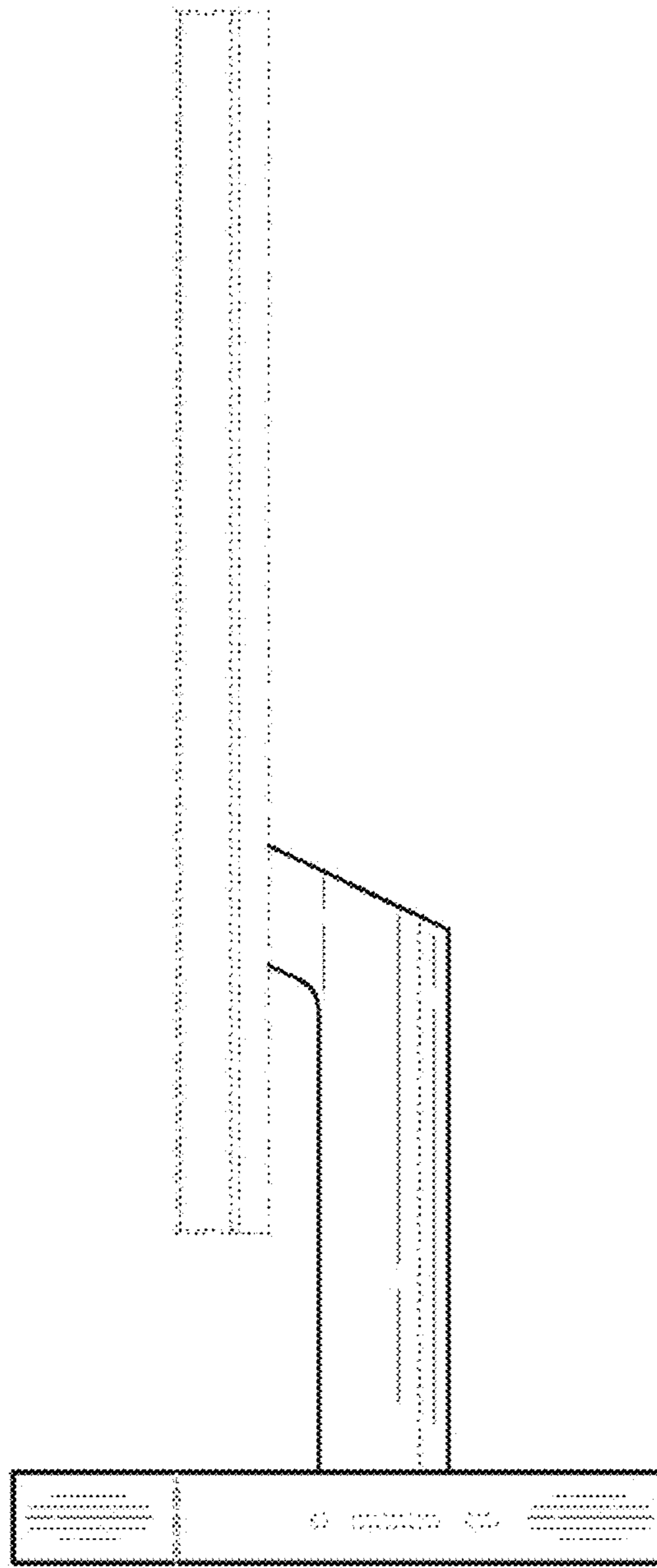
1.3



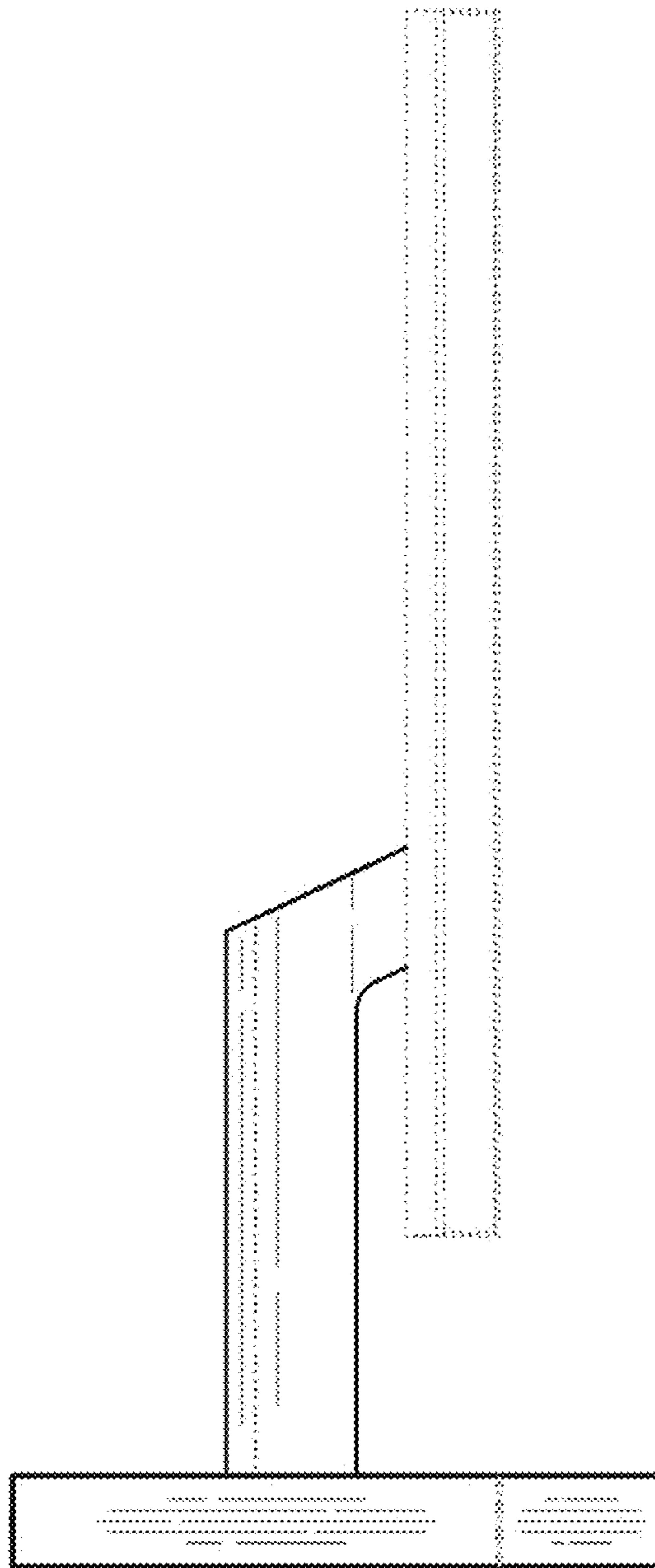
1.4



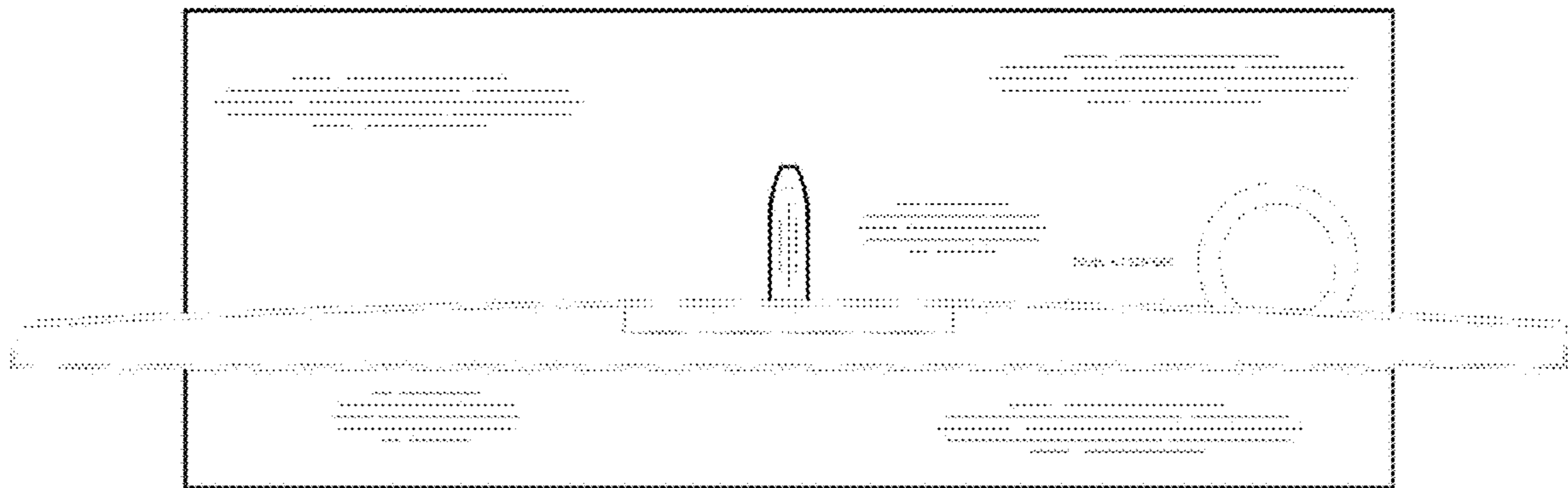
1.5



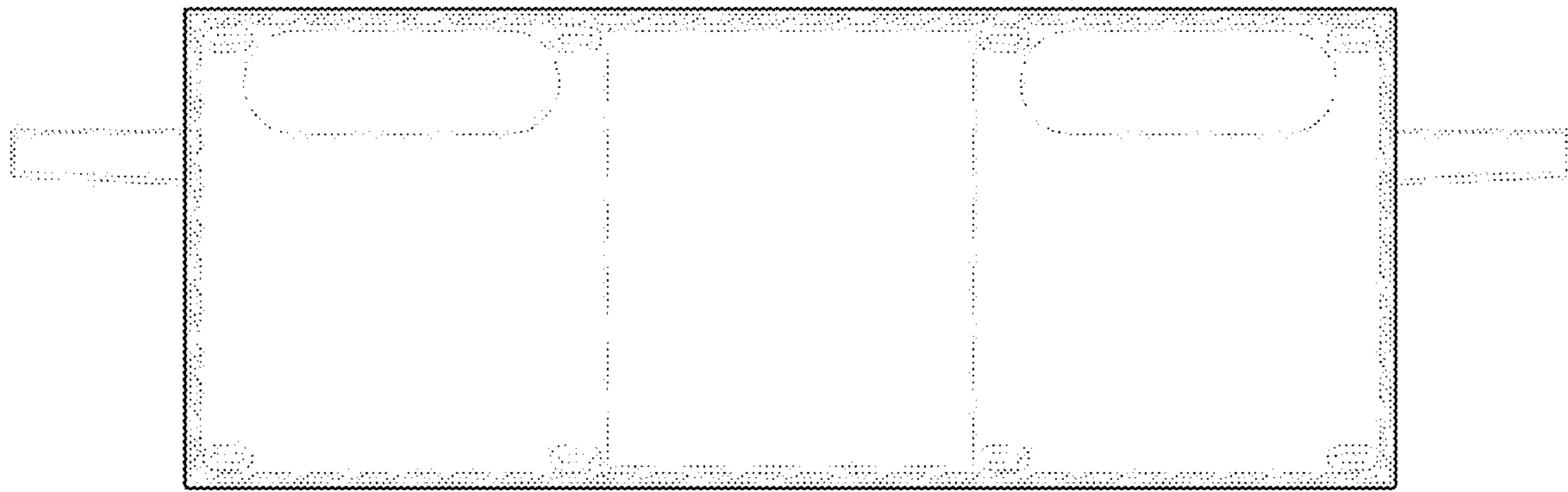
1.6



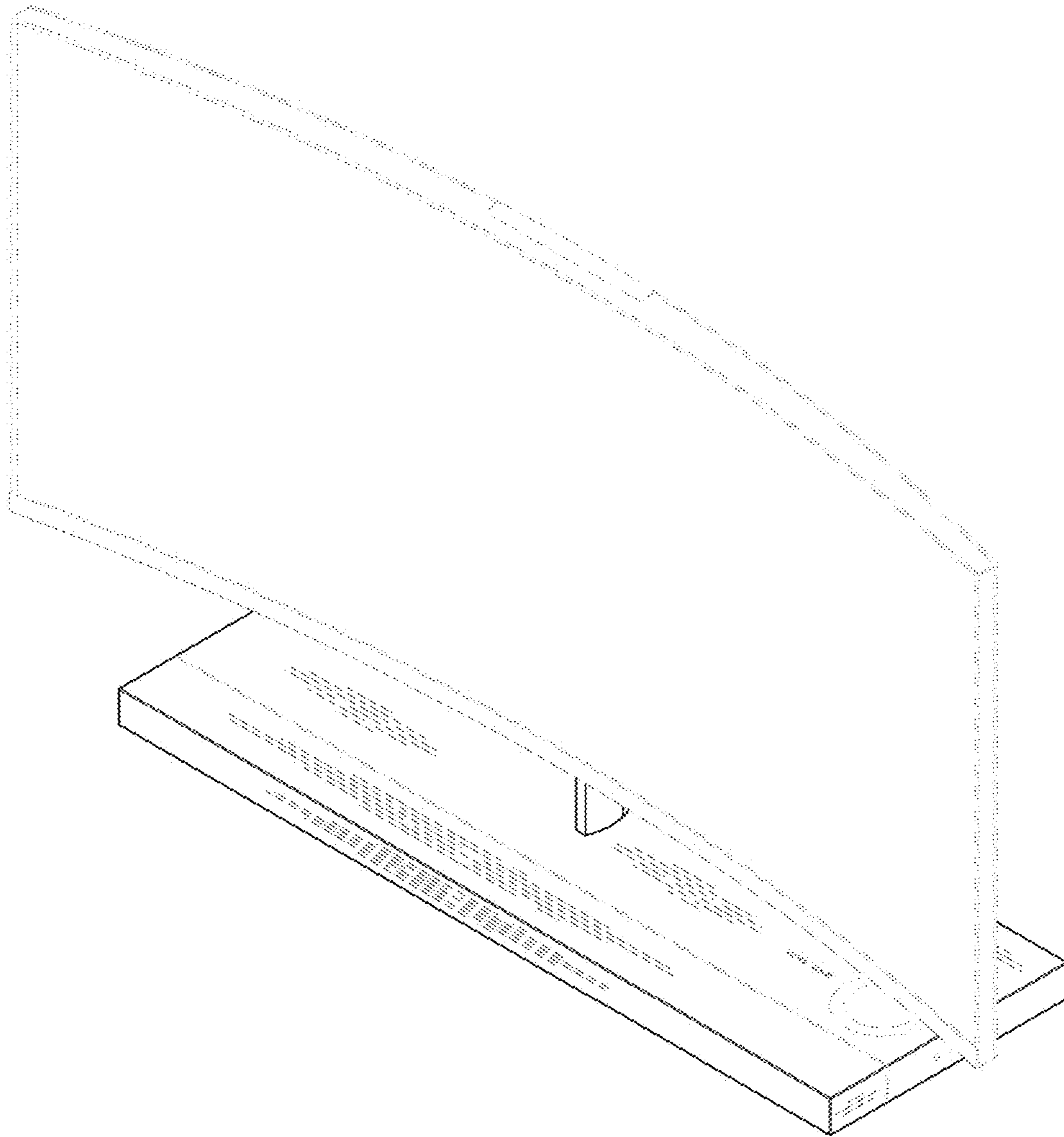
1.7



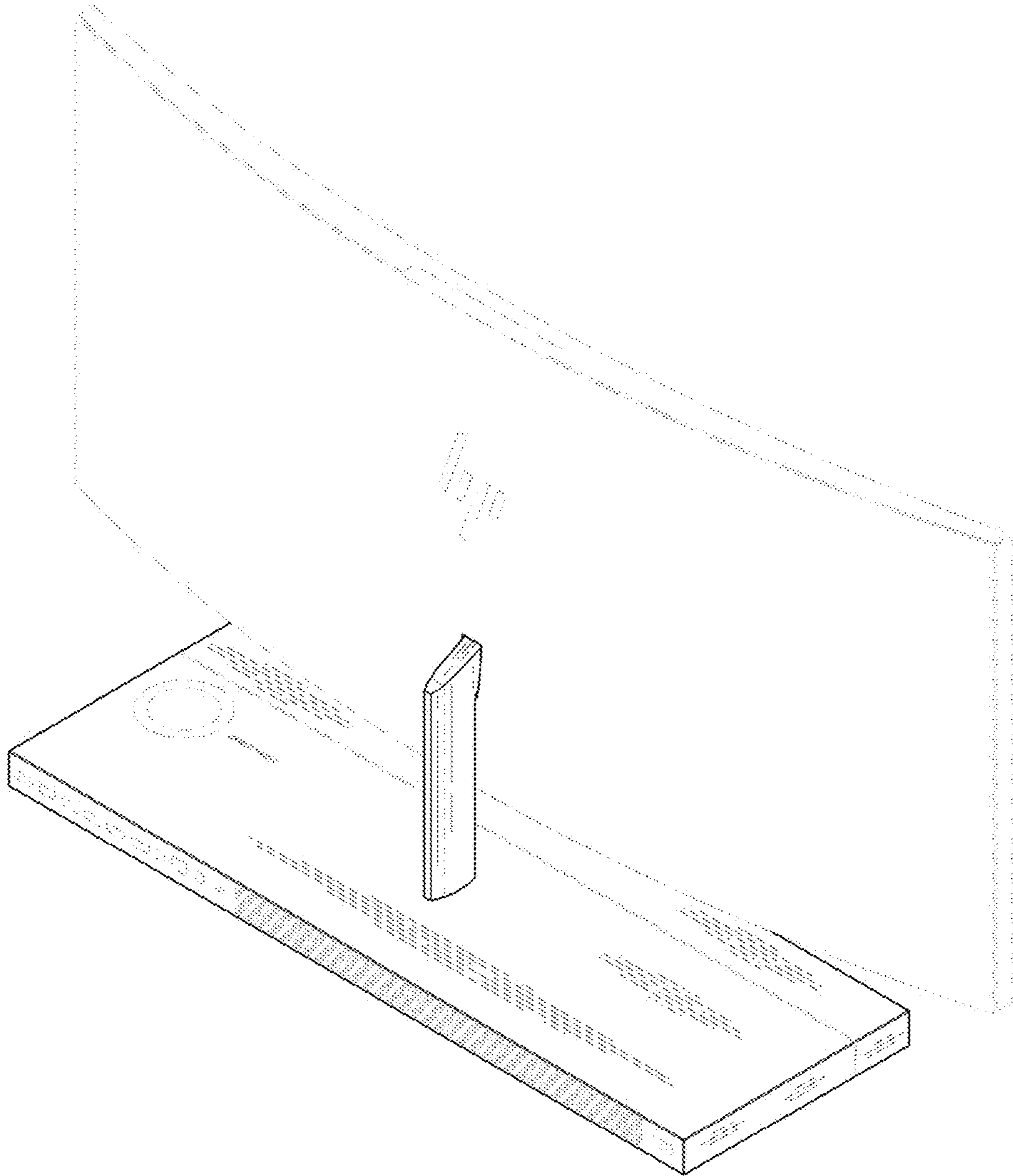
1.8



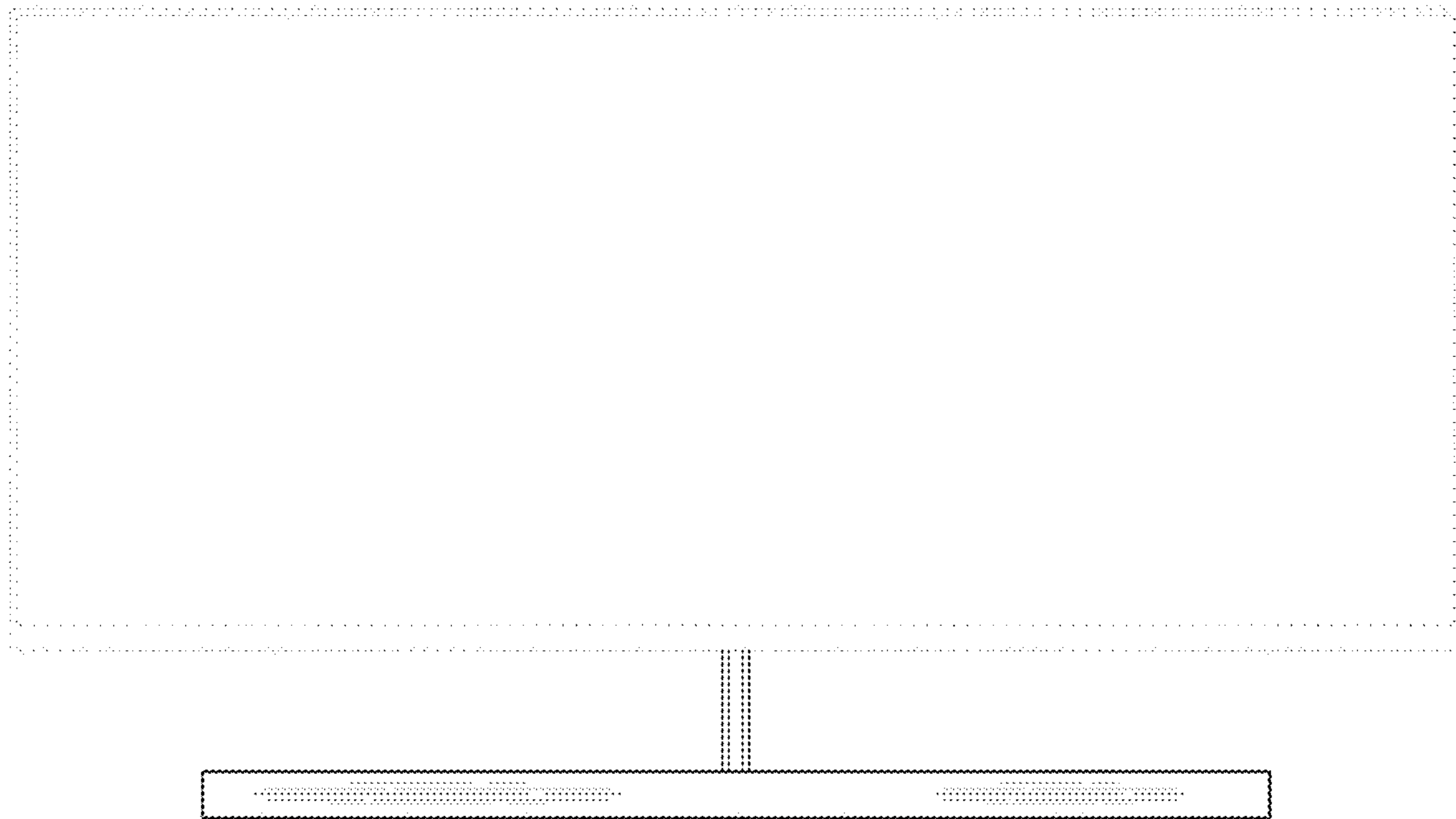
2.1



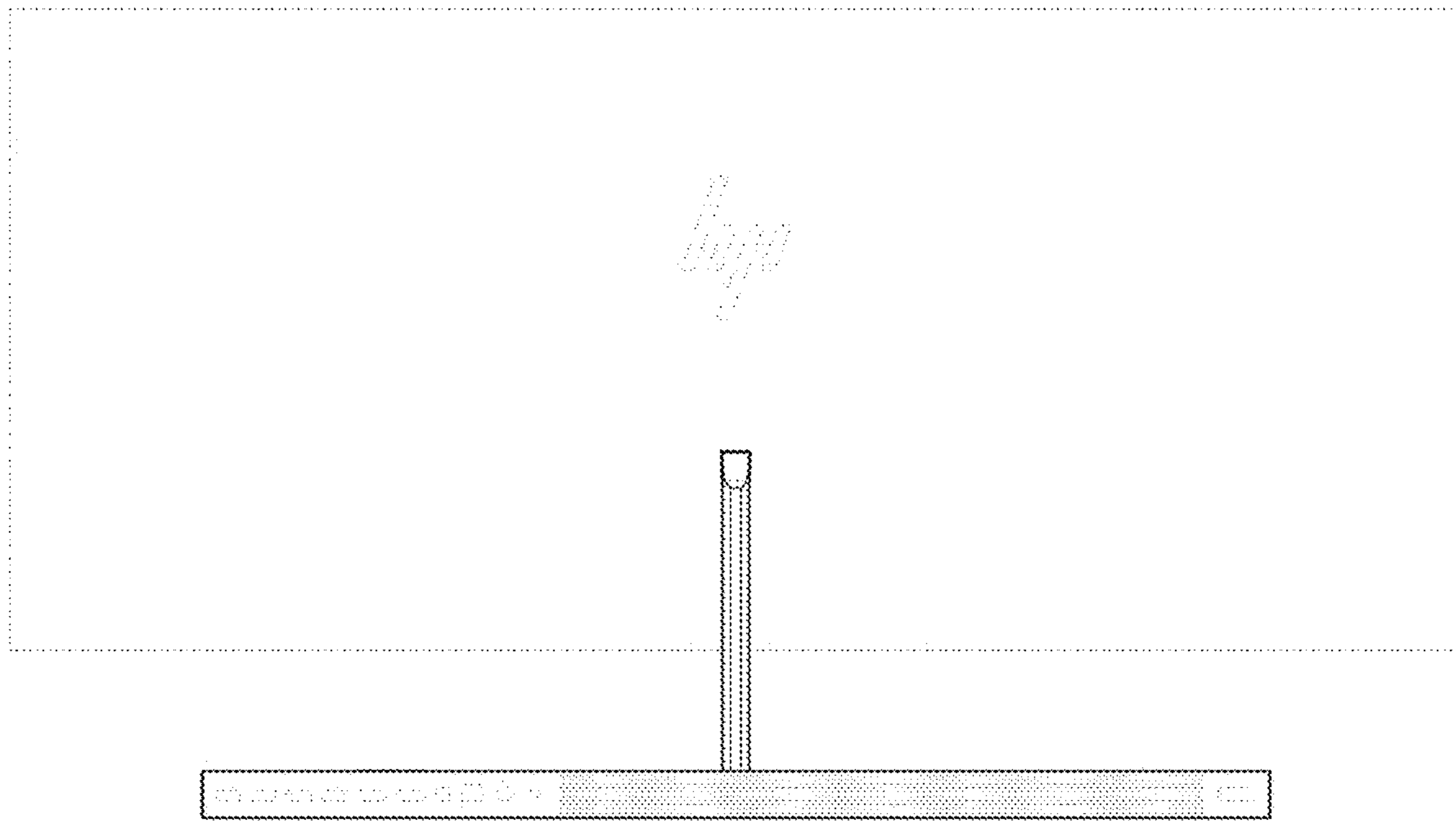
2.2



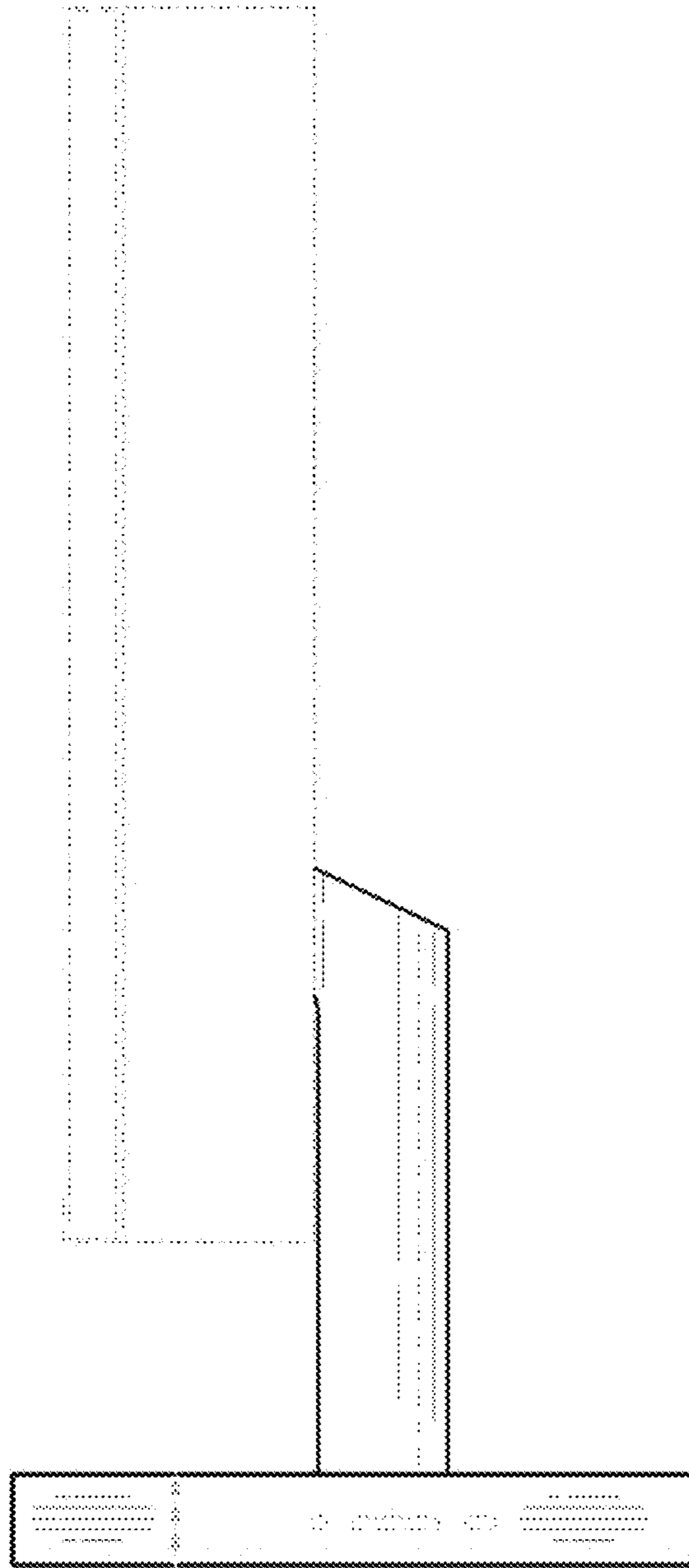
2.3



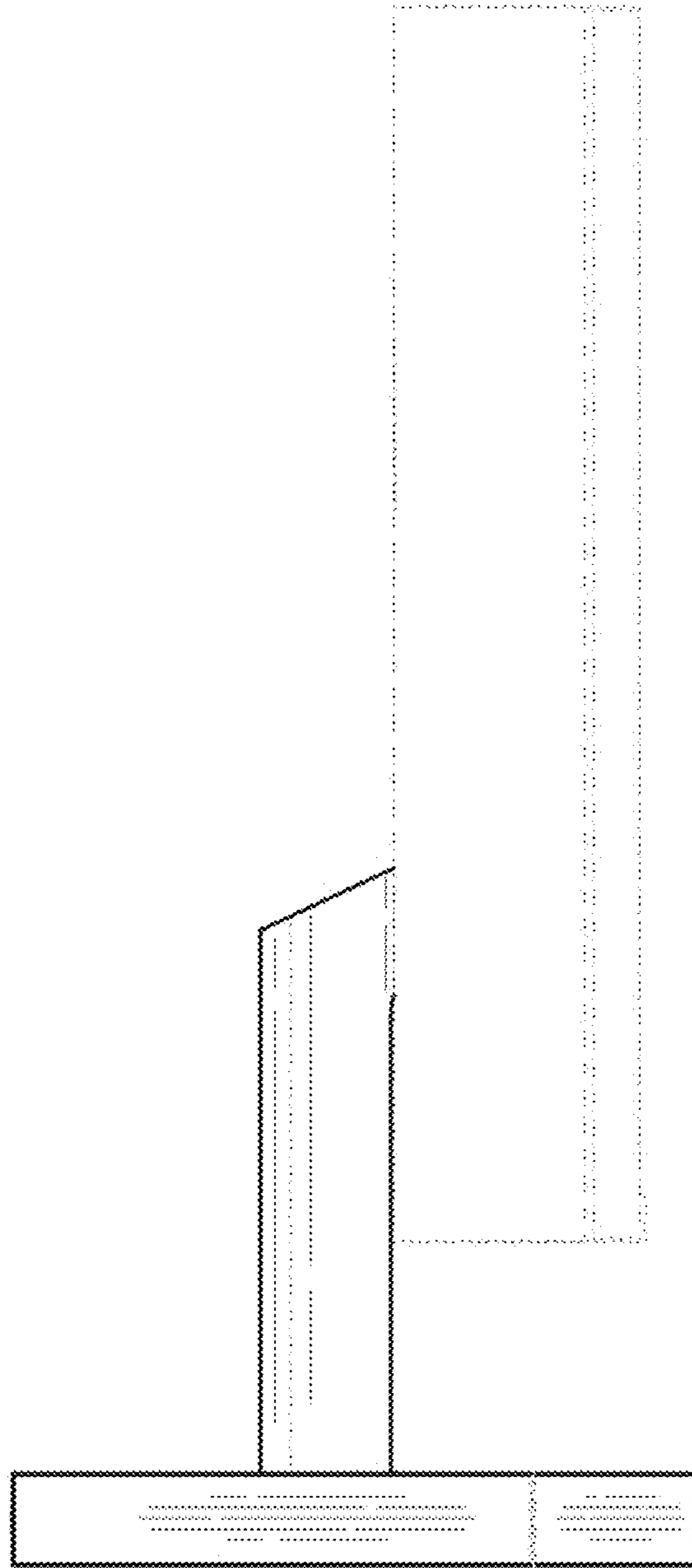
2.4



2.5



2.6



2.7

