



US00D838267S

(12) **United States Design Patent**
Zhang

(10) **Patent No.:** **US D838,267 S**
(45) **Date of Patent:** **** Jan. 15, 2019**

(54) **CELL PHONE CAR MOUNT**

(71) Applicant: **Runlang Zhang**, Wuhan (CN)
(72) Inventor: **Runlang Zhang**, Wuhan (CN)
(73) Assignee: **Runlang Zhang**, Wuhan (CN)

(**) Term: **15 Years**

(21) Appl. No.: **29/607,107**

(22) Filed: **Jun. 9, 2017**

(30) **Foreign Application Priority Data**

Apr. 24, 2017 (CN) 2017 3 0141213
Apr. 25, 2017 (CN) 2017 2 0436131 U

(51) **LOC (11) Cl.** **14-03**

(52) **U.S. Cl.**
USPC **D14/253**

(58) **Field of Classification Search**
USPC D14/217, 224, 251-253, 447, 451-452,
D14/144; D3/218; D12/114, 177, 187,
D12/223, 400, 415, 417
CPC F16M 13/022; F16M 11/041; F16M 13/02;
F16M 11/10; F16M 13/04; F16M 13/00;
F16M 11/14; F16M 11/06; F16M
11/2021;

(Continued)

(56) **References Cited**

U.S. PATENT DOCUMENTS

D510,358 S * 10/2005 Ezure D14/447
8,099,138 B2 * 1/2012 Piekarz B60R 11/0241
248/309.1

(Continued)

Primary Examiner — Cathron C Brooks

Assistant Examiner — Sharon S Oum

(74) *Attorney, Agent, or Firm* — Beem Patent Law Firm;
Frank Gao

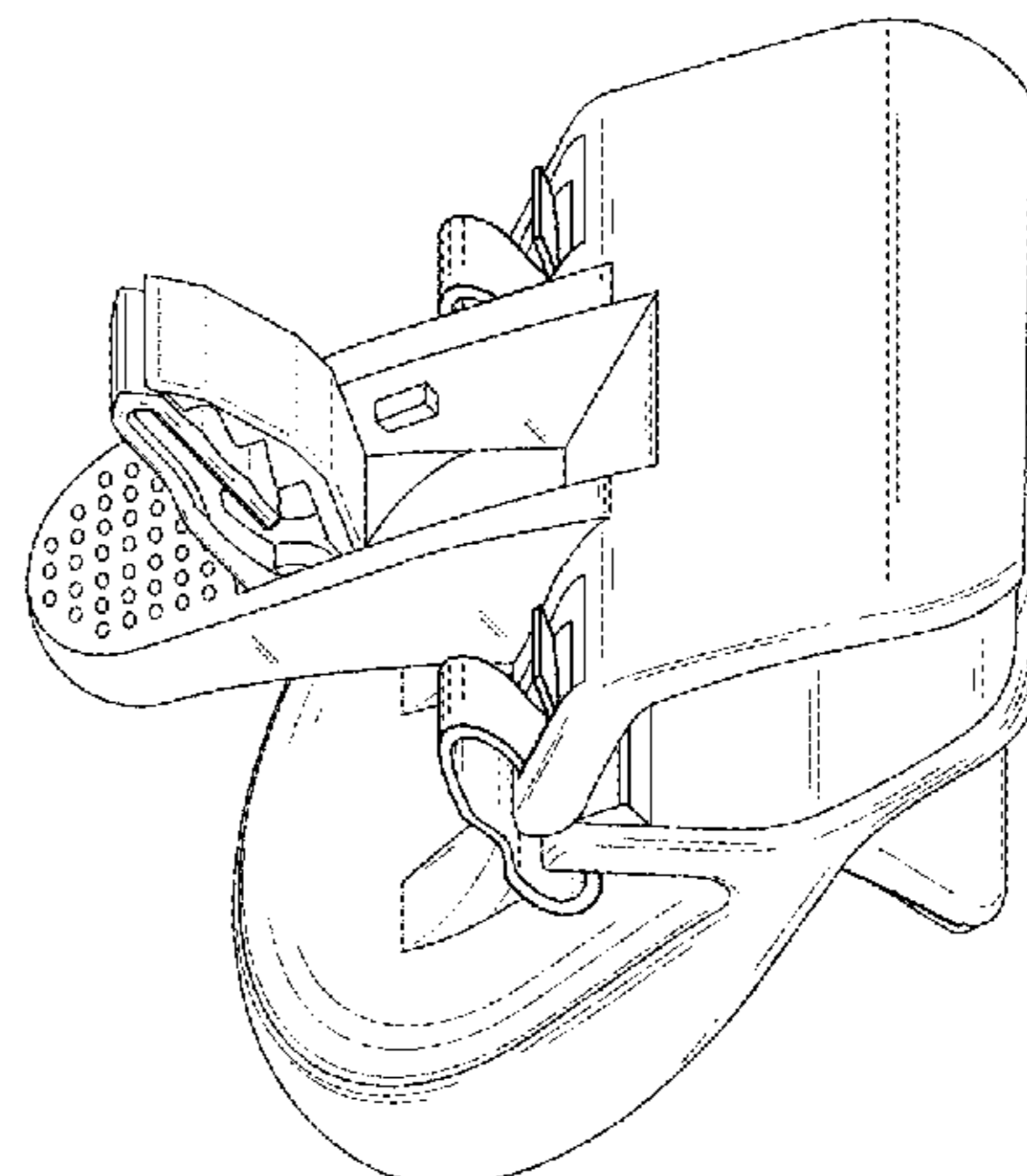
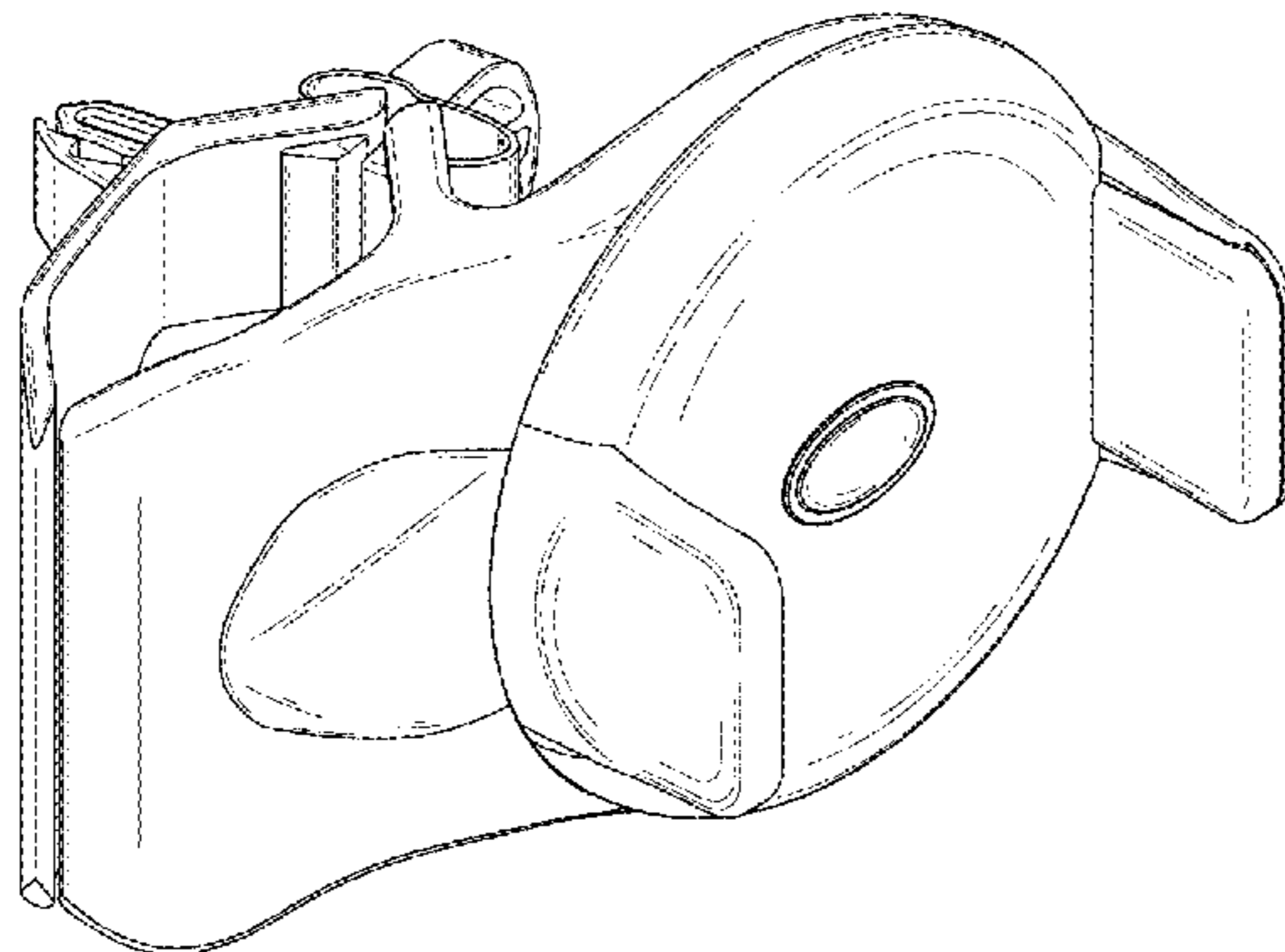
(57) **CLAIM**

The ornamental design for a cell phone car mount, as shown and described.

DESCRIPTION

FIG. 1 is a top perspective view of a cell phone car mount showing my new design in a closed position with a hook in a first position;
FIG. 2 is a bottom perspective view thereof;
FIG. 3 is a bottom perspective view thereof with a hook in a second position;
FIG. 4 is a bottom perspective view thereof showing my new design in an open position with a hook in a first position;
FIG. 5 is a bottom perspective view thereof with a hook in a second position;
FIG. 6 is a front elevation view of FIG. 1;
FIG. 7 is a front elevation view of FIG. 3;
FIG. 8 is a front elevation view of FIG. 4;
FIG. 9 is a front elevation view of FIG. 5;
FIG. 10 is a right side elevation view of FIG. 1;
FIG. 11 is a right side elevation view of FIG. 3;
FIG. 12 is a right side elevation view of FIG. 4;
FIG. 13 is a left side elevation view of FIG. 1 with a clamp rotated at 90 degrees;
FIG. 14 is a left side elevation view thereof of FIG. 3 with a clamp rotated at 90 degrees;
FIG. 15 is a left side elevation view of FIG. 4 with a clamp rotated at 90 degrees;
FIG. 16 is a left side elevation view of FIG. 5 with a clamp rotated at 90 degrees;
FIG. 17 is a bottom plan view of FIG. 1 with a clamp rotated at 90 degrees;
FIG. 18 is a bottom plan view of FIG. 3 with a clamp rotated at 90 degrees;
FIG. 19 is a bottom plan view of FIG. 4 with a clamp rotated at 90 degrees;
FIG. 20 is a bottom plan view of FIG. 5 with a clamp rotated at 90 degrees; and,
FIG. 21 is a top plan view thereof.

1 Claim, 12 Drawing Sheets



(58) **Field of Classification Search**

CPC F16M 11/38; F16M 11/04; F16M 11/18;
 F16M 11/22; G03B 17/561; G03B
 17/566; G03B 17/563; H04M 1/04; B60R
 11/02; B60R 11/0241; F16B 1/00; F16B
 2001/0035; H04N 5/2252; H04N 5/2251

See application file for complete search history.

(56) **References Cited**

U.S. PATENT DOCUMENTS

D655,692	S	*	3/2012	Silverman	D14/217
D696,259	S	*	12/2013	Howarth	D14/447
D704,199	S	*	5/2014	Byun	D14/447
D704,201	S	*	5/2014	Shubin, Sr.	D14/447
D709,066	S	*	7/2014	Byun	D14/253
D713,398	S	*	9/2014	Alesi	D14/253
D715,790	S	*	10/2014	Conomos	D14/253
D717,307	S	*	11/2014	Chun	D14/447
D718,298	S	*	11/2014	Aspinall	D14/253
D727,333	S	*	4/2015	Shih	D14/447
D733,115	S	*	6/2015	Aspinall	D14/253
D748,615	S	*	2/2016	Lee	D14/251
D749,558	S	*	2/2016	Nielsen	D14/251
D765,646	S	*	9/2016	Deng	D12/415
D765,651	S	*	9/2016	Liu	D14/253
D767,556	S	*	9/2016	Lee	D12/415
D768,125	S	*	10/2016	Kim	D14/253
D769,860	S	*	10/2016	Xiao	D14/253
D780,743	S	*	3/2017	Chun	D14/253
D786,882	S	*	5/2017	Cho	D14/447
D791,062	S	*	7/2017	Balmer	D12/415
D799,466	S	*	10/2017	Sukphist	D14/253
2016/0318455	A1	*	11/2016	Zhang	F16M 11/105

* cited by examiner

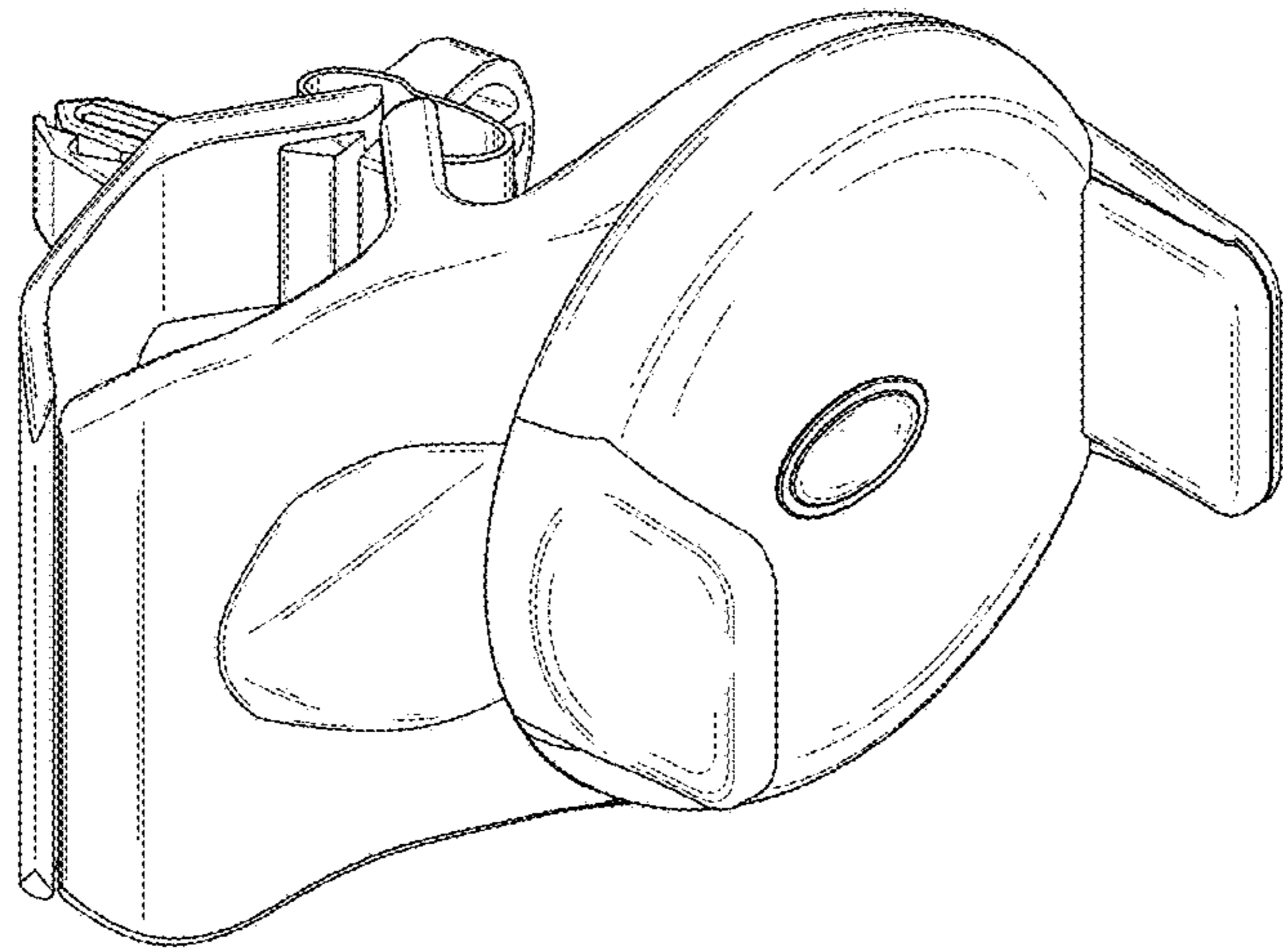


FIG. 1

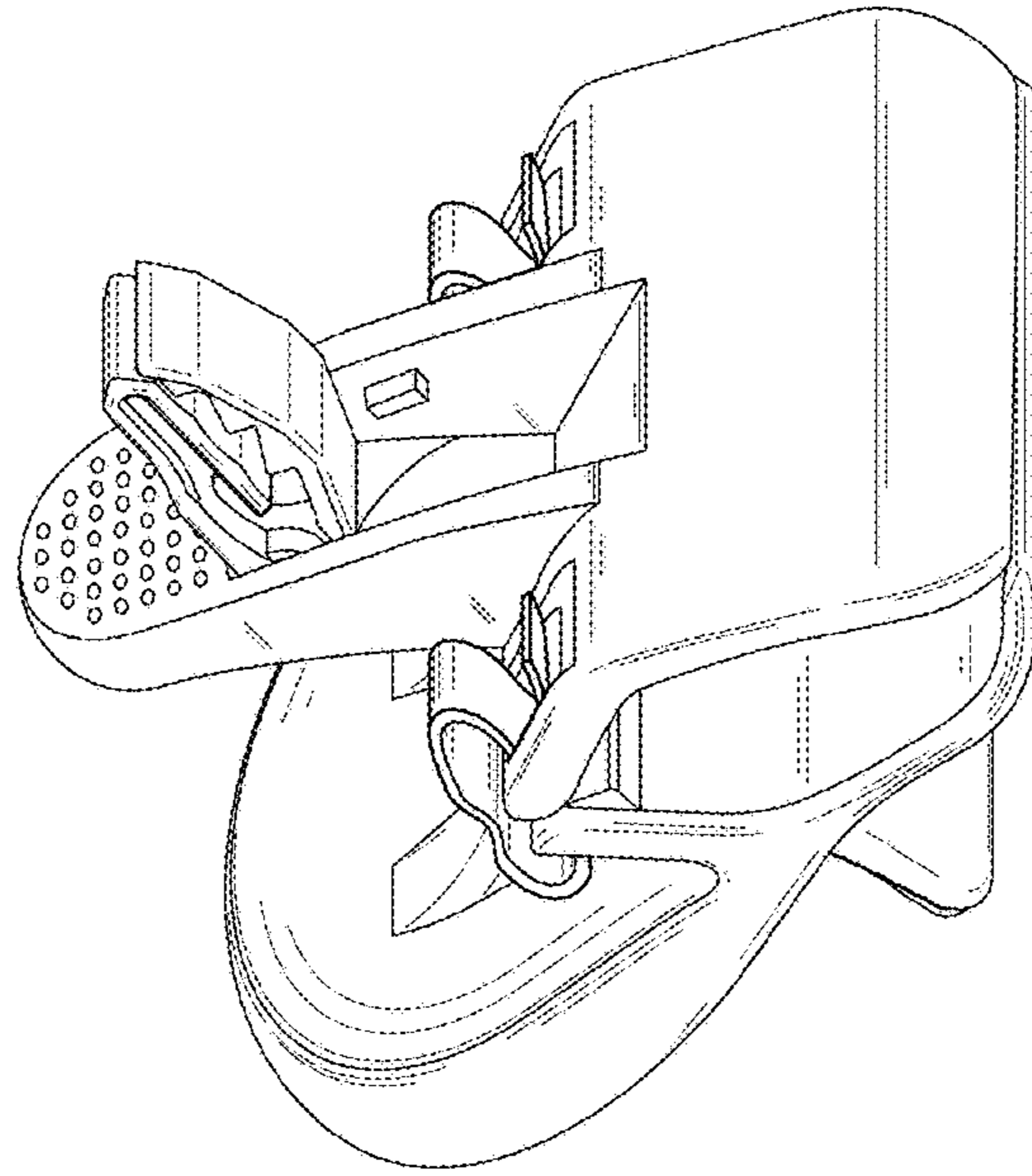


FIG. 2

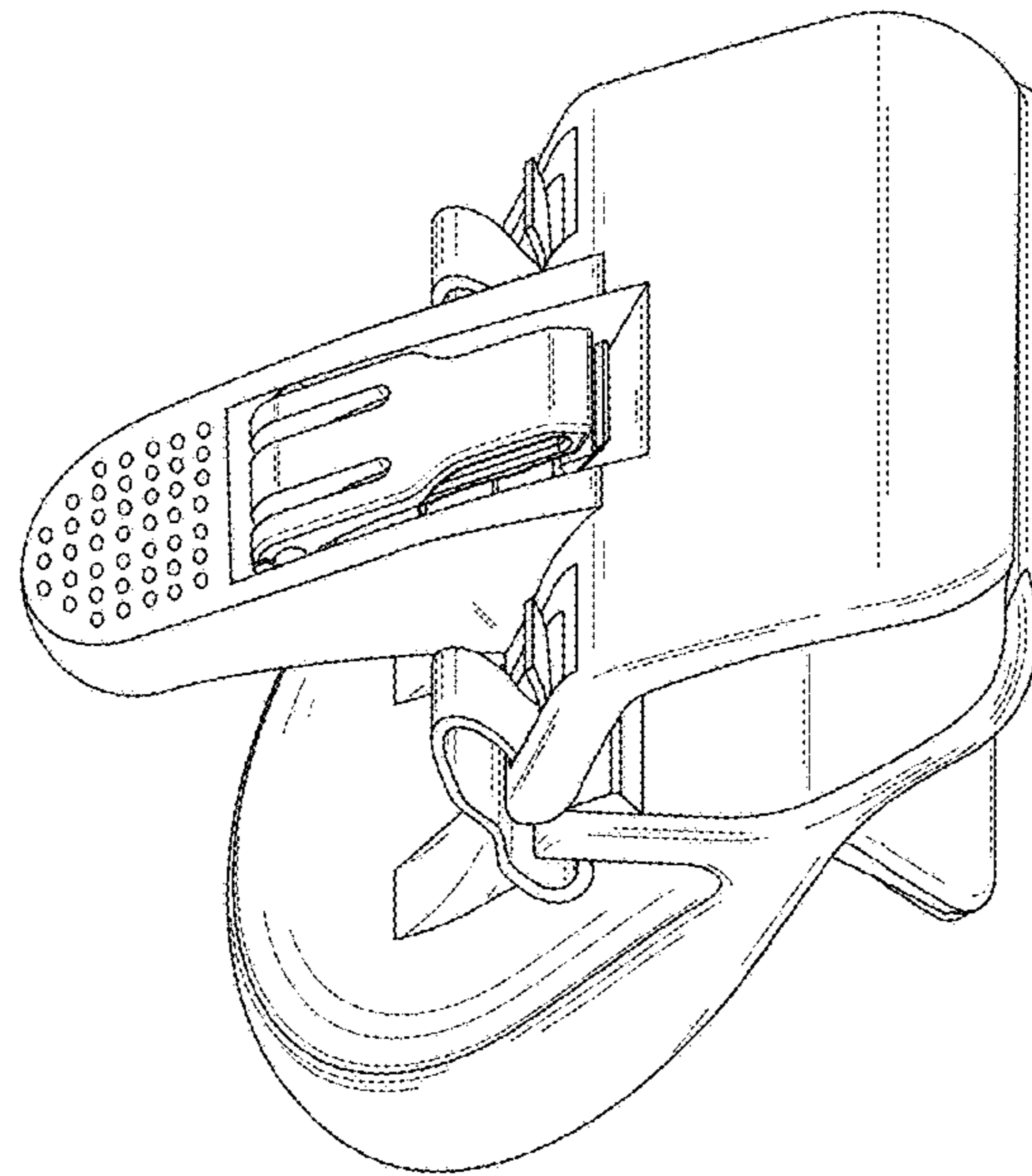


FIG. 3

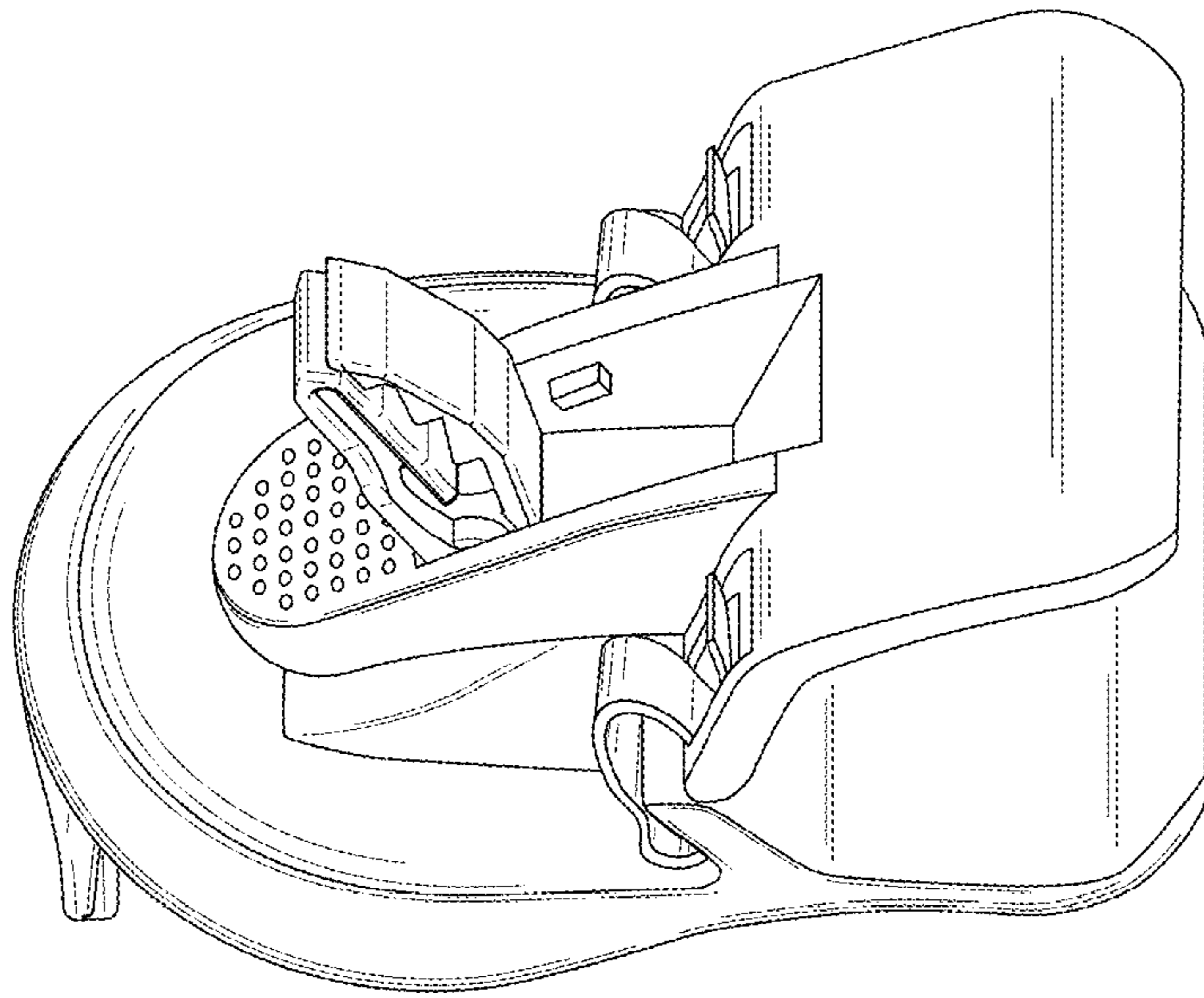


FIG. 4

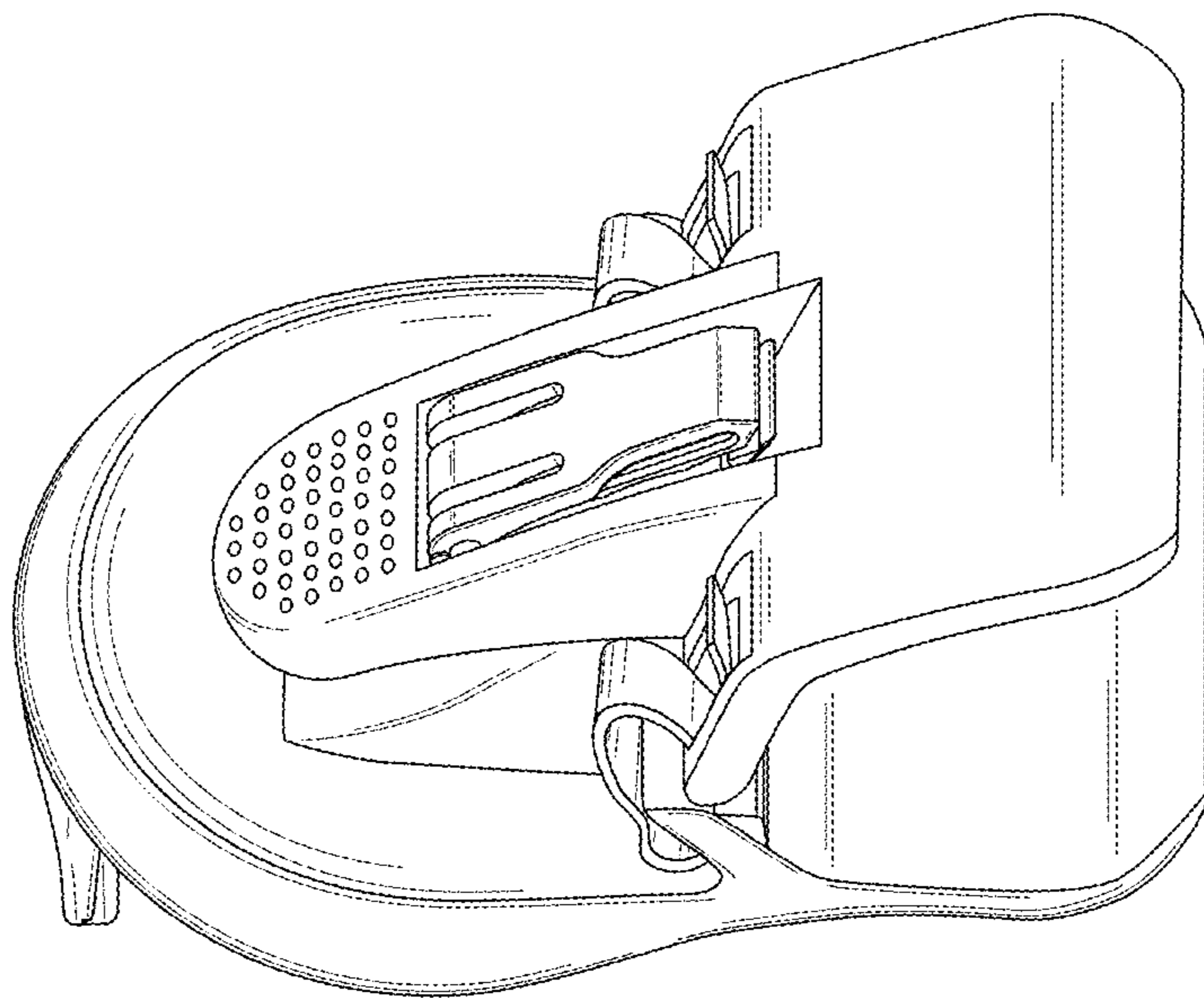


FIG. 5

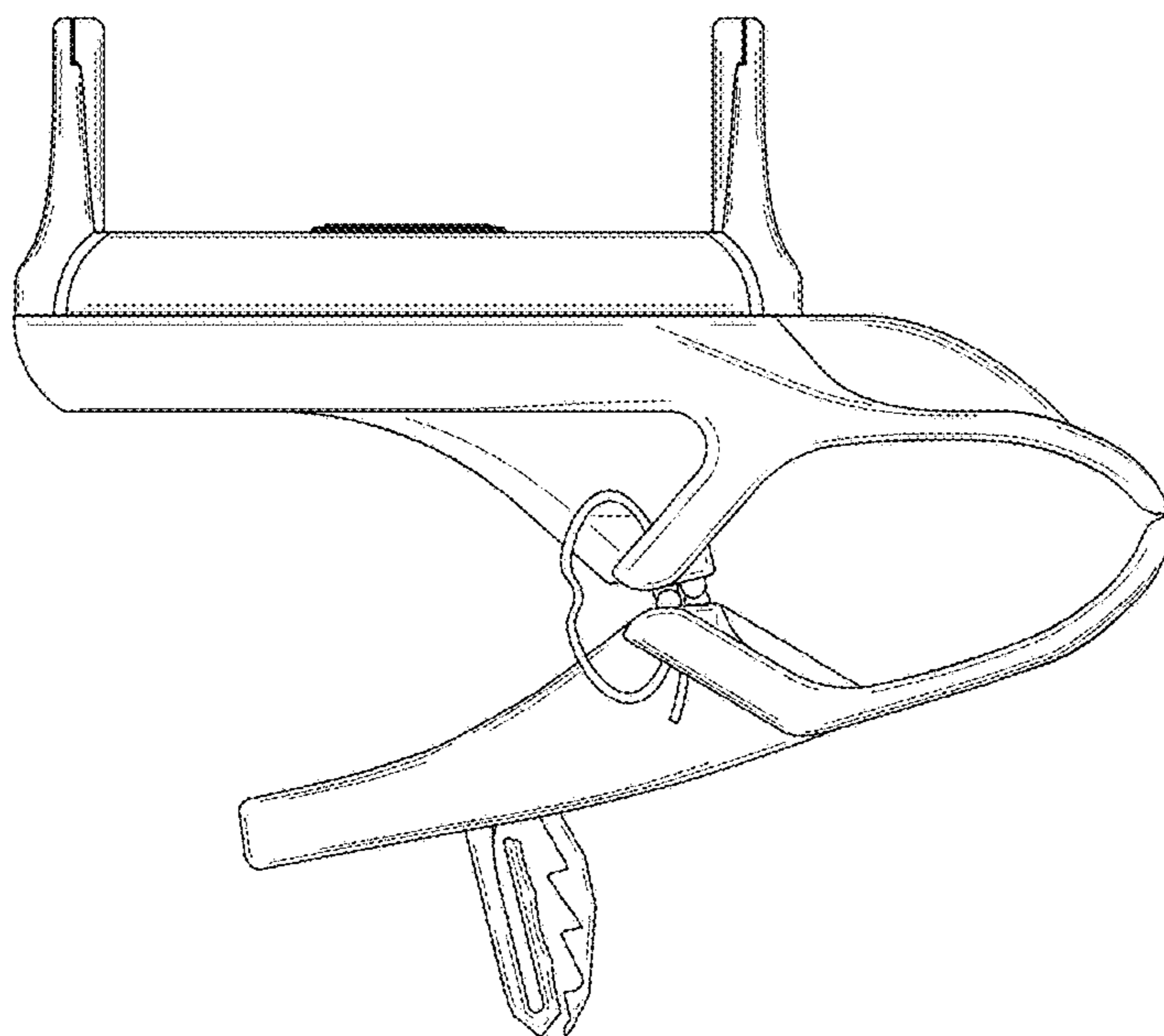


FIG. 6

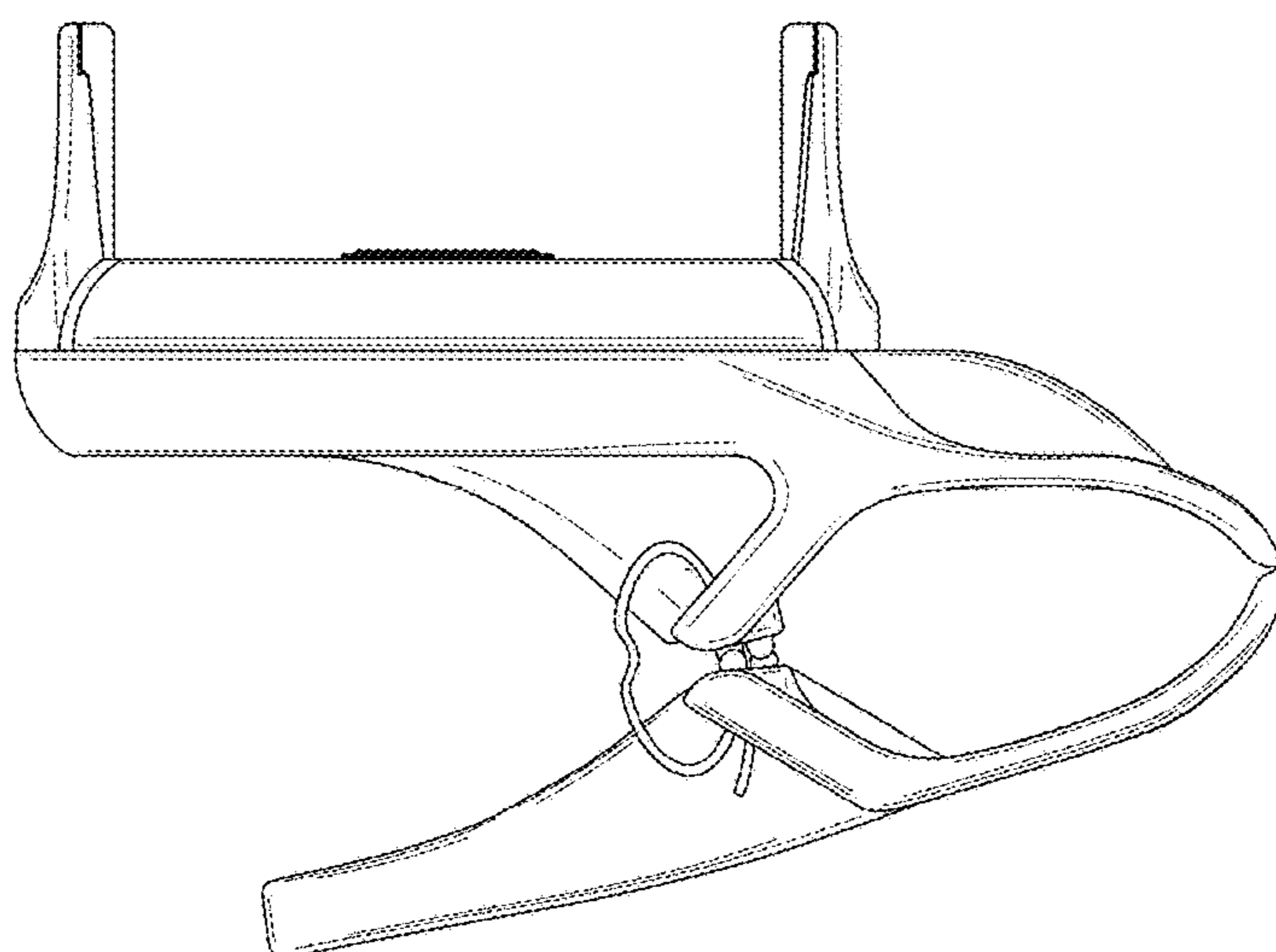


FIG. 7

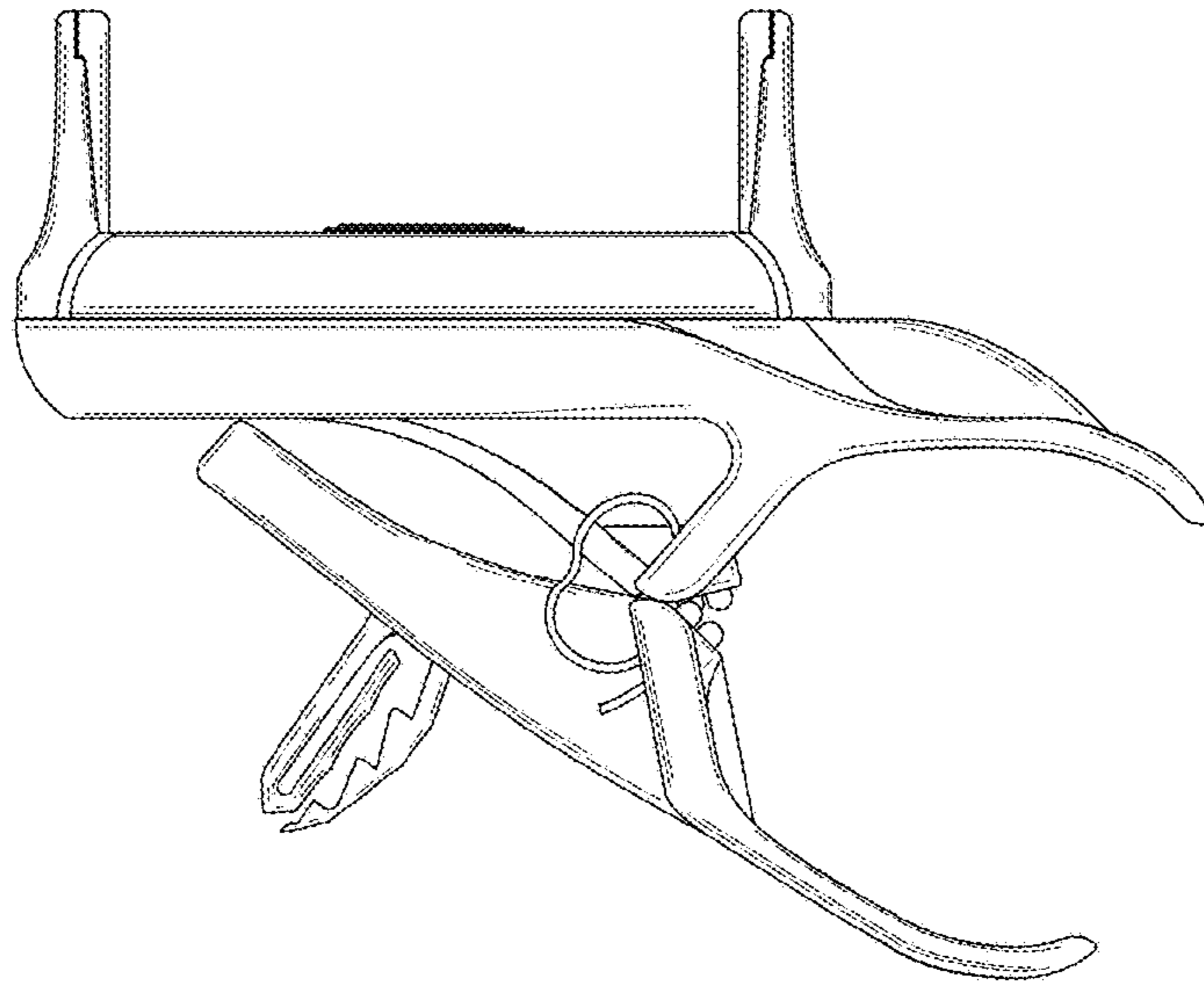


FIG. 8

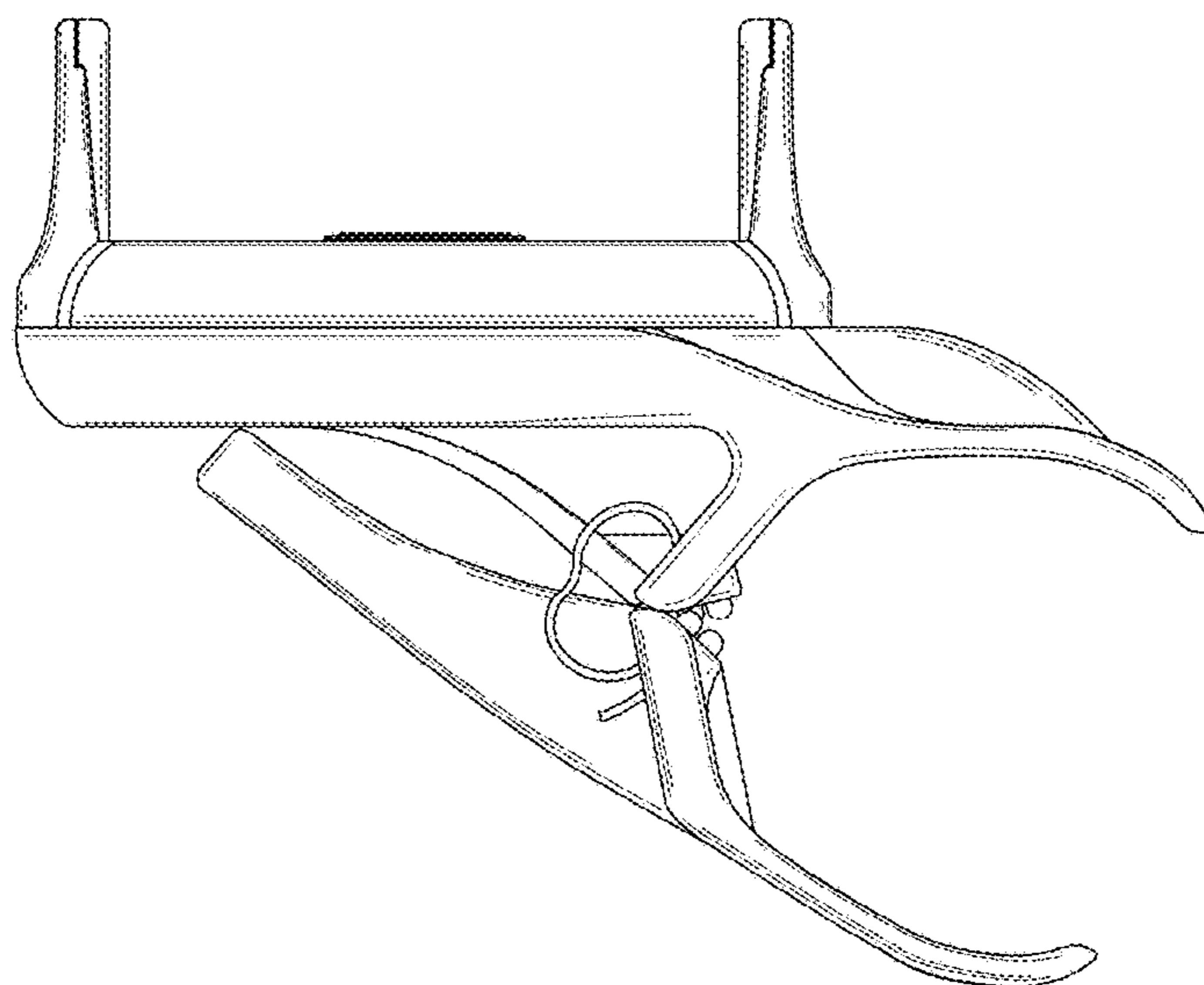


FIG. 9

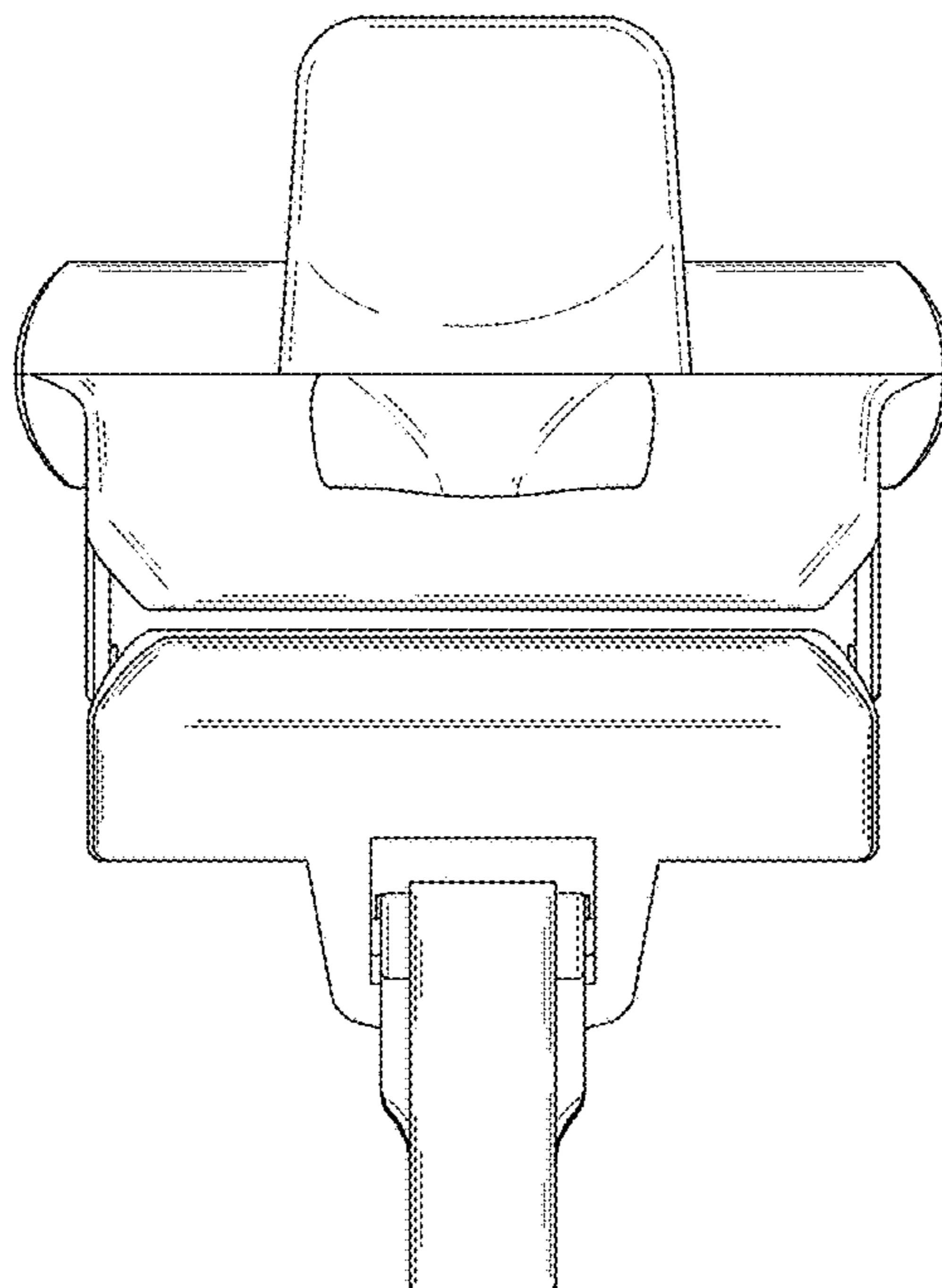


FIG. 10

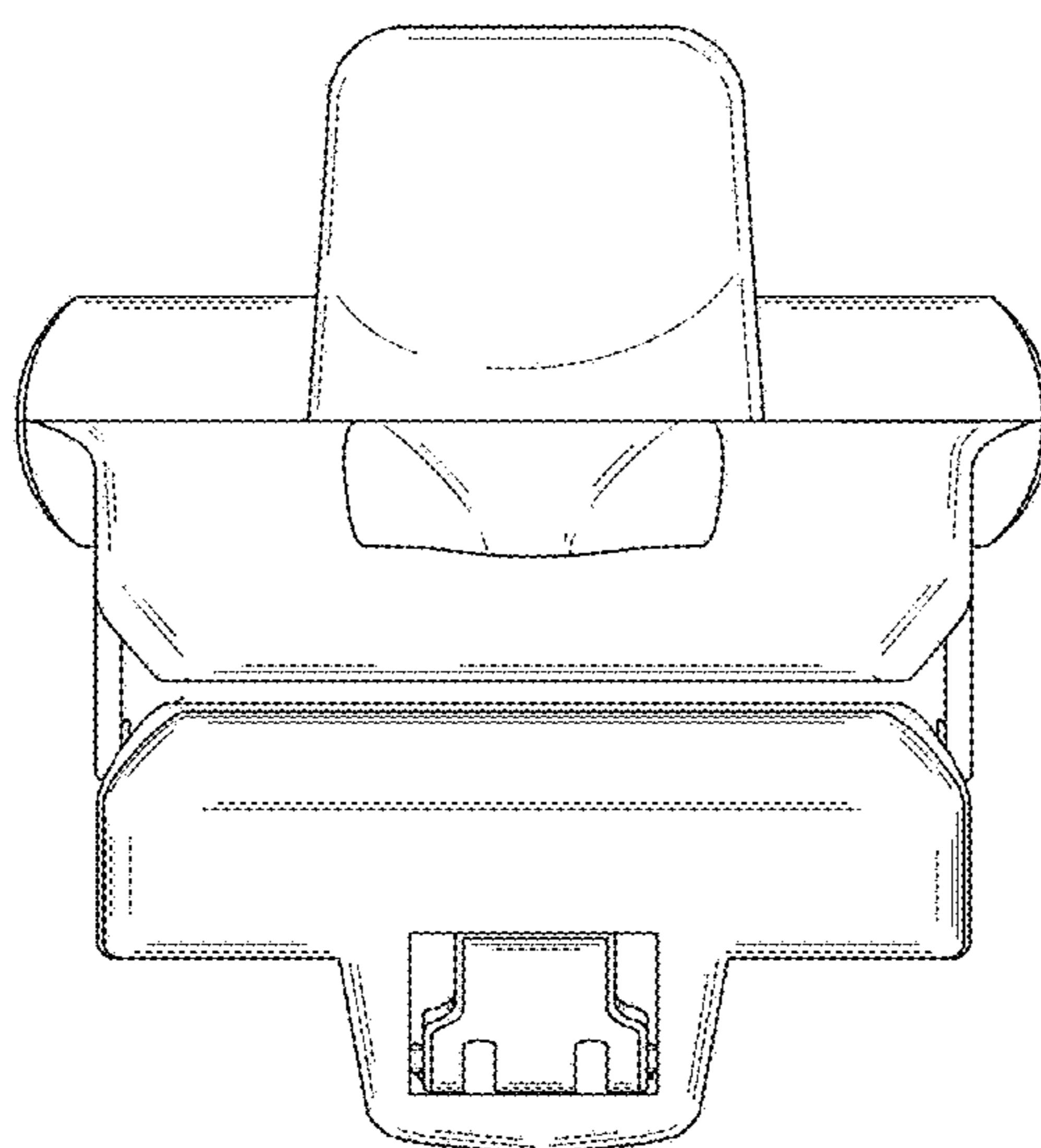


FIG. 11

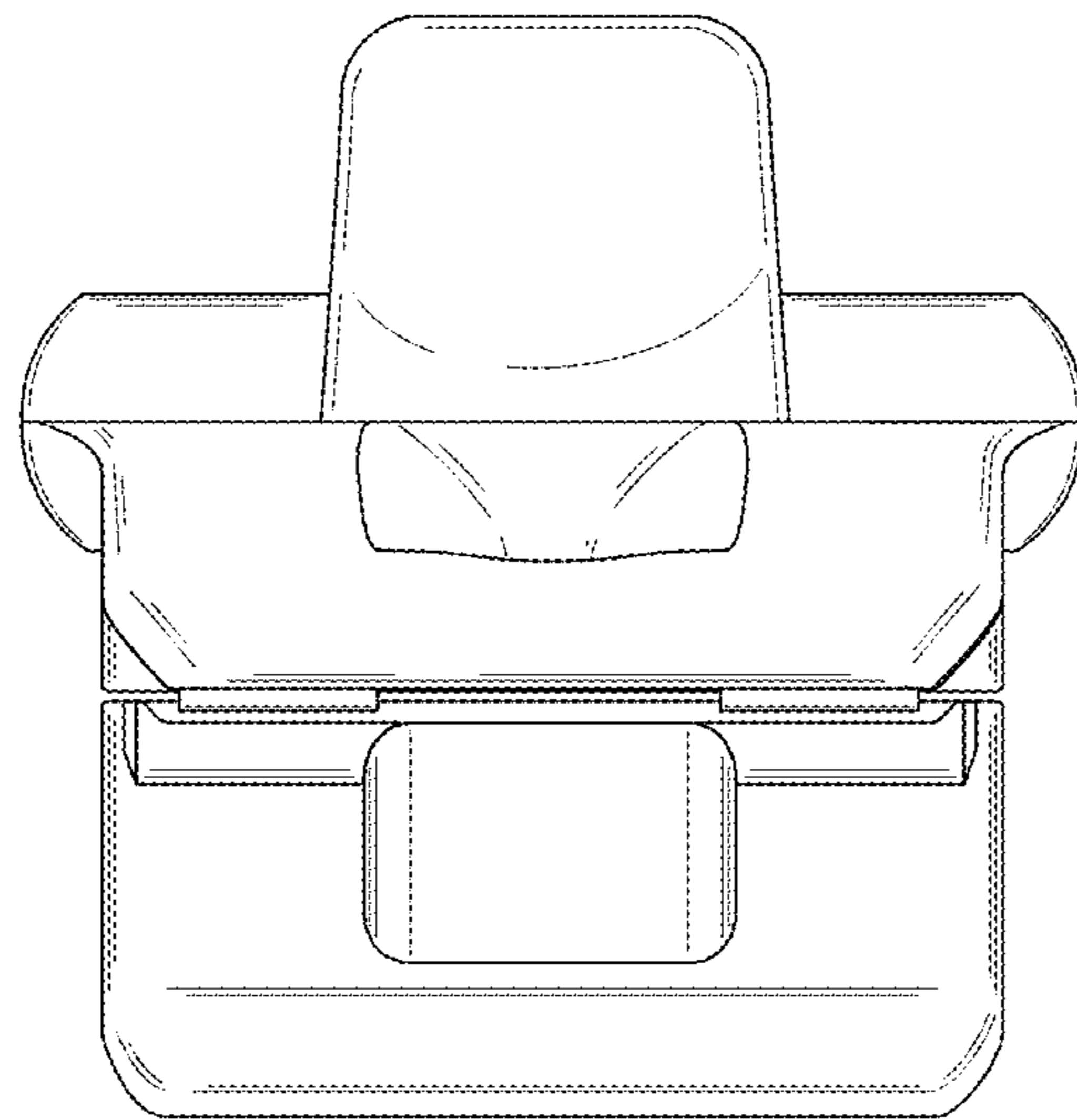


FIG. 12

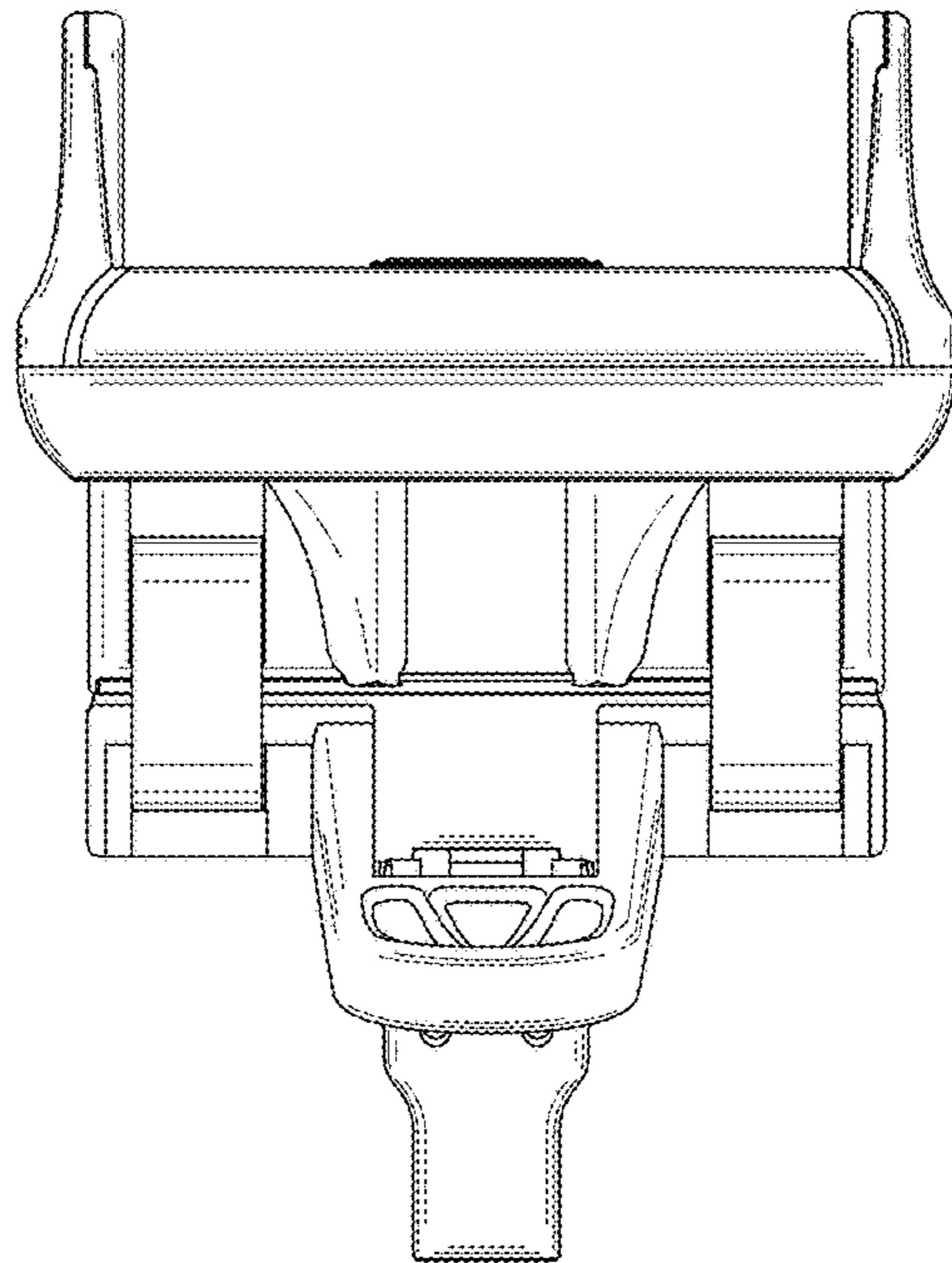


FIG. 13

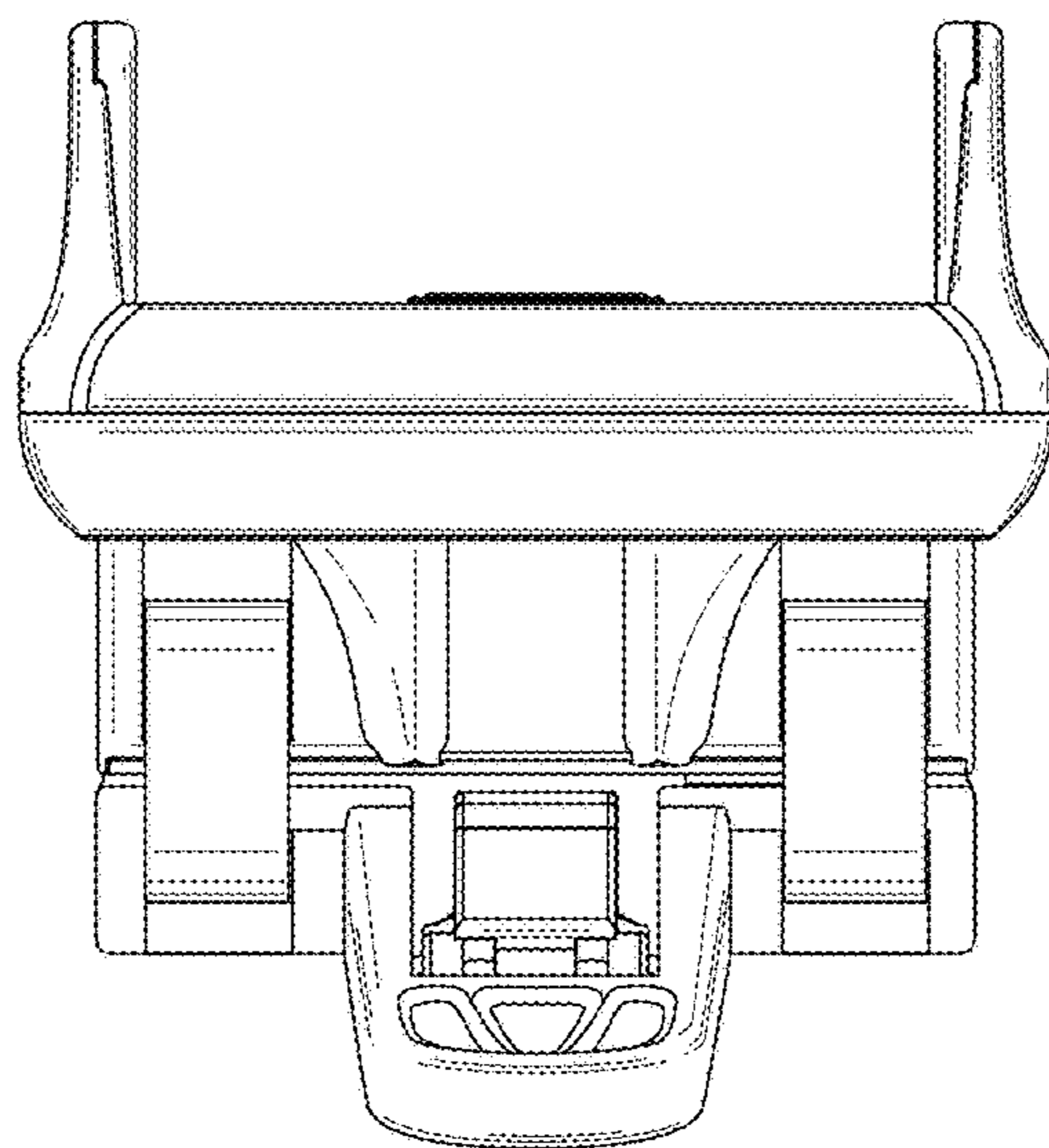


FIG. 14

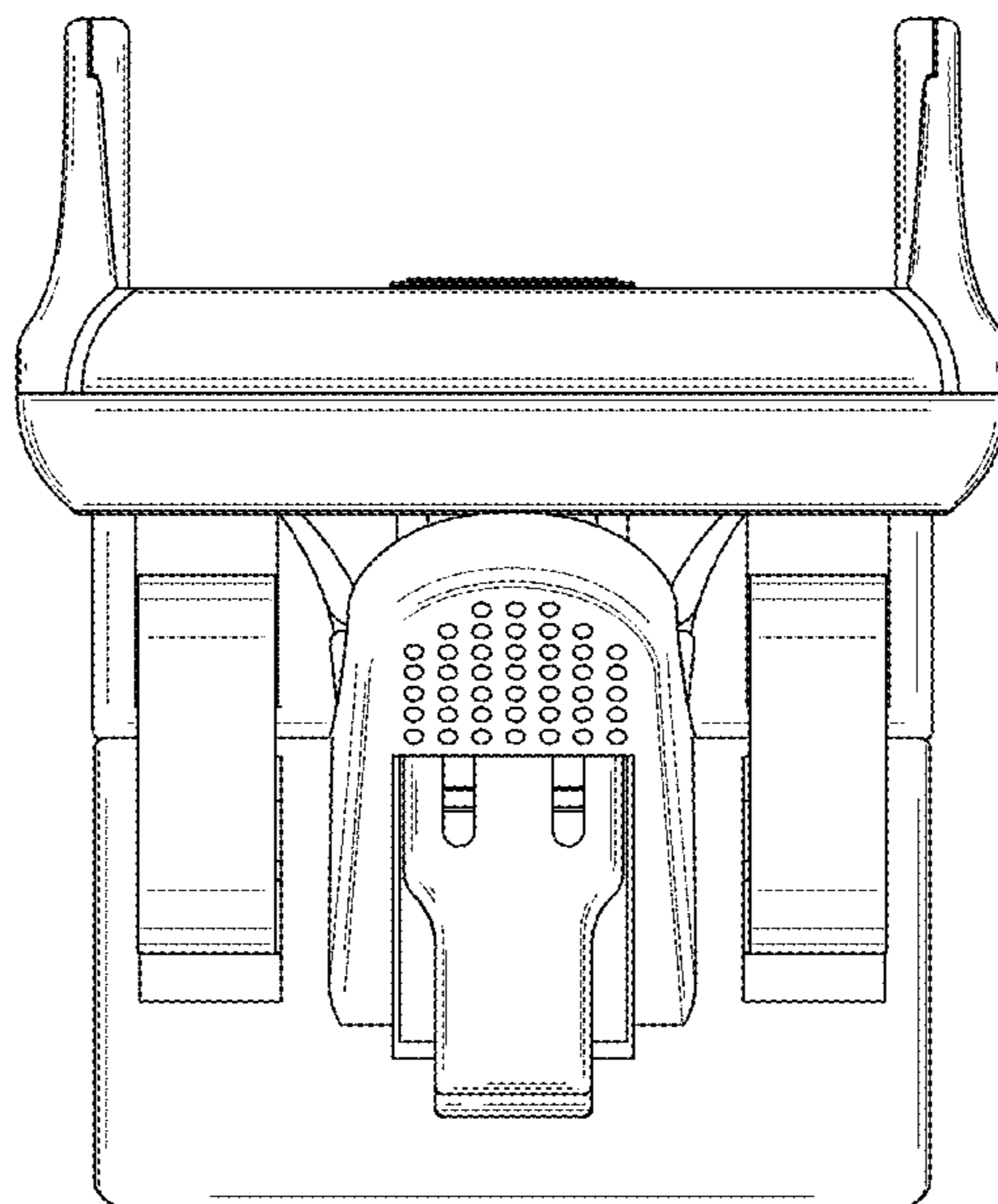


FIG. 15

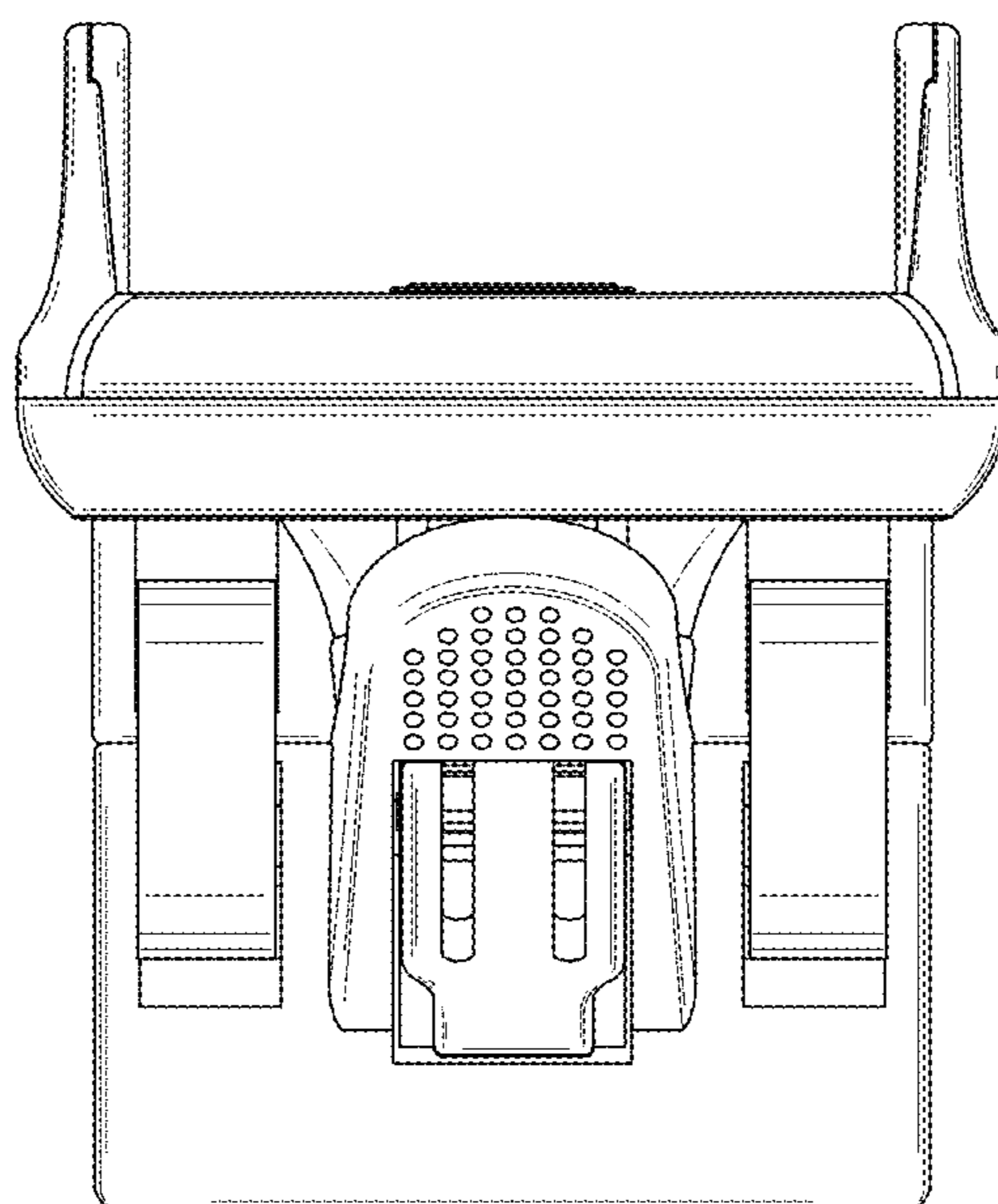


FIG. 16

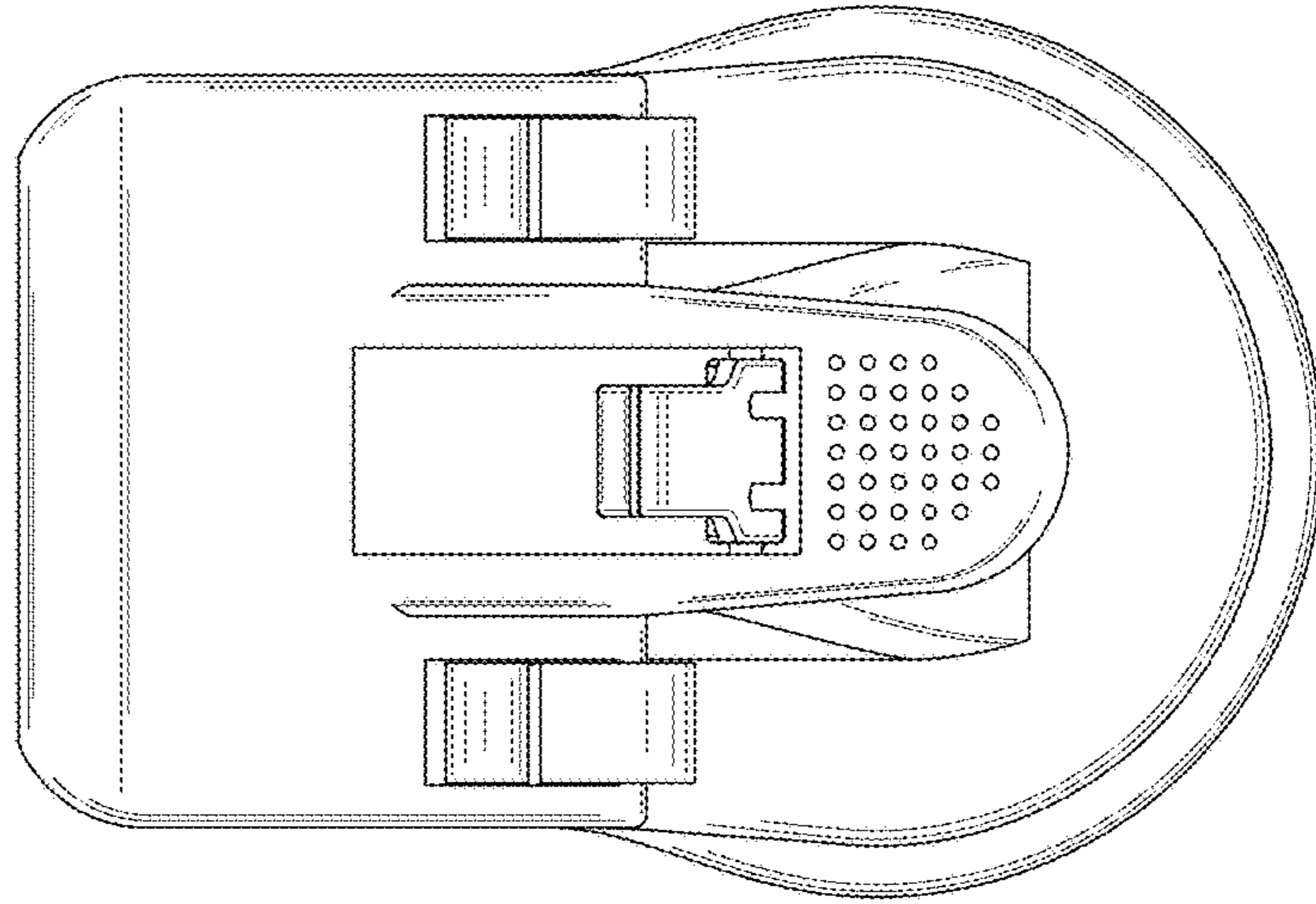


FIG. 17

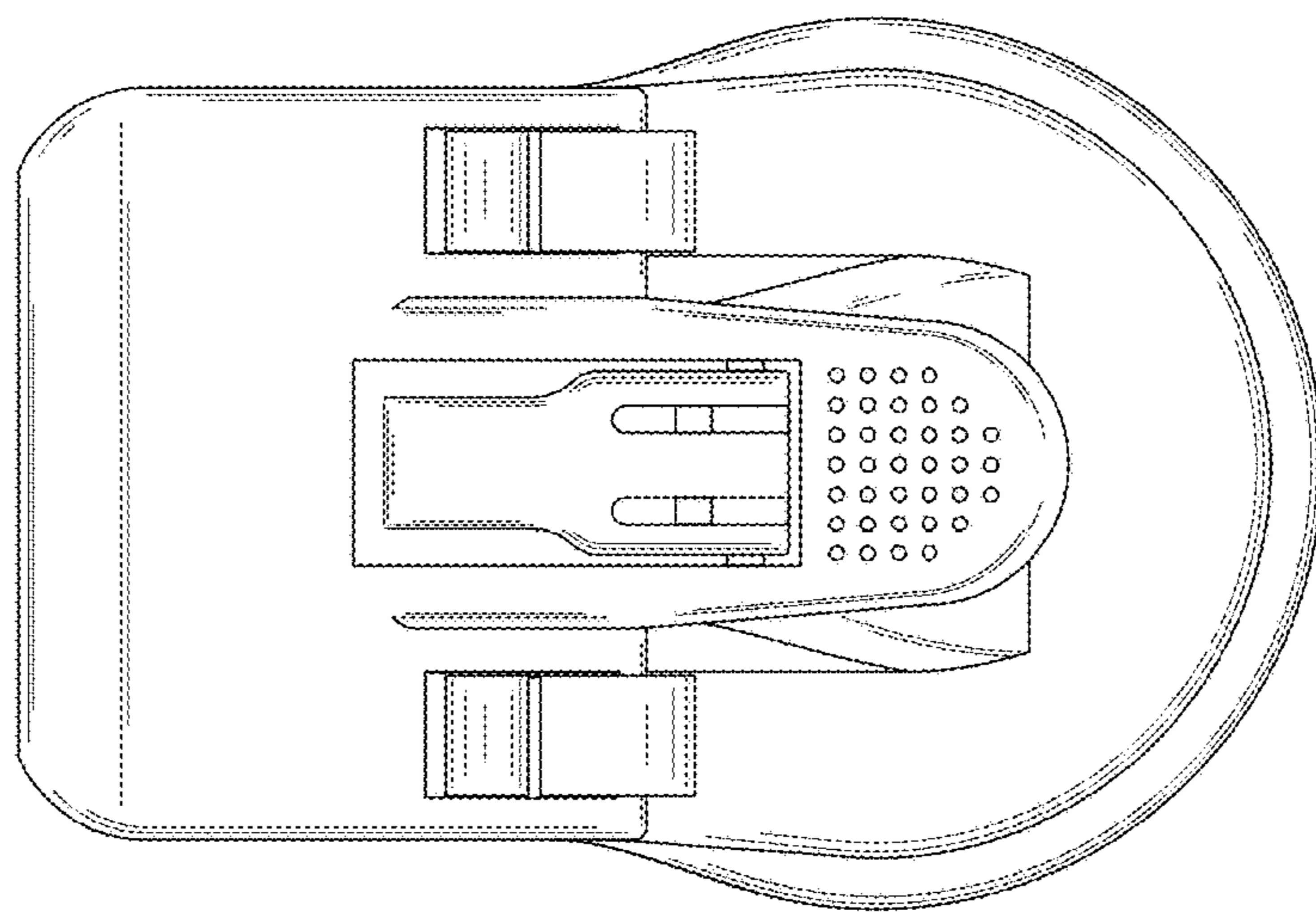


FIG. 18

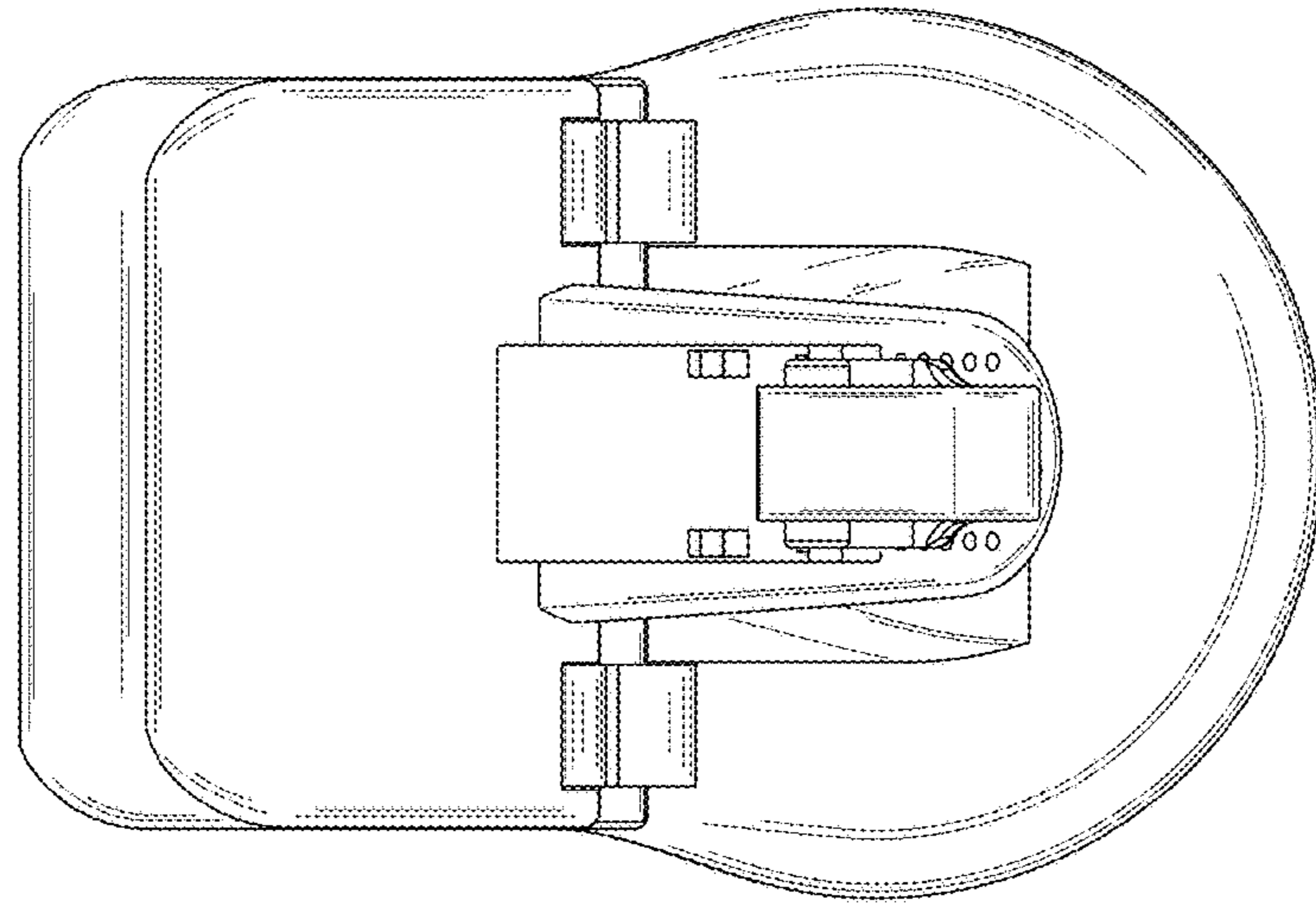


FIG. 19

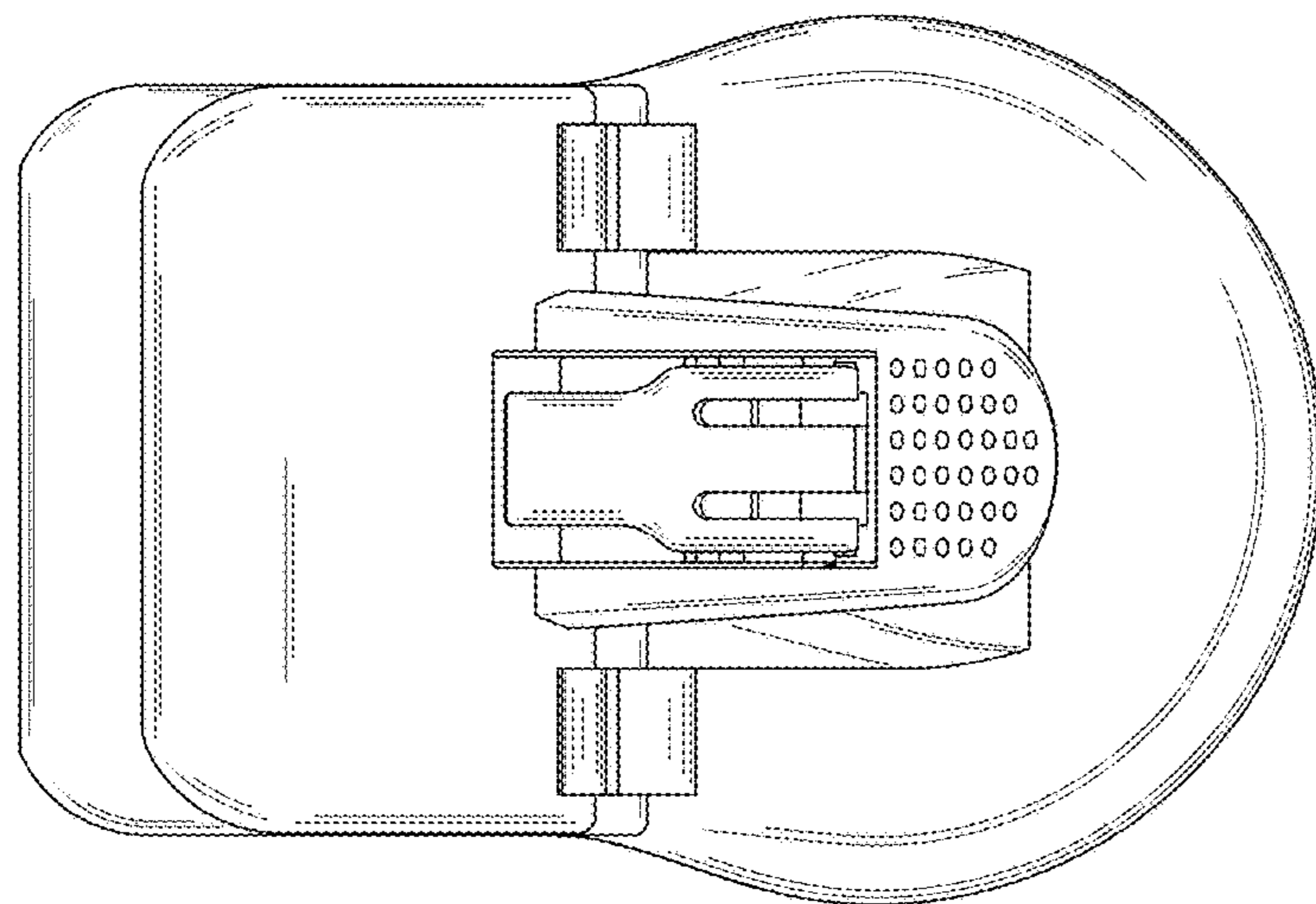


FIG. 20

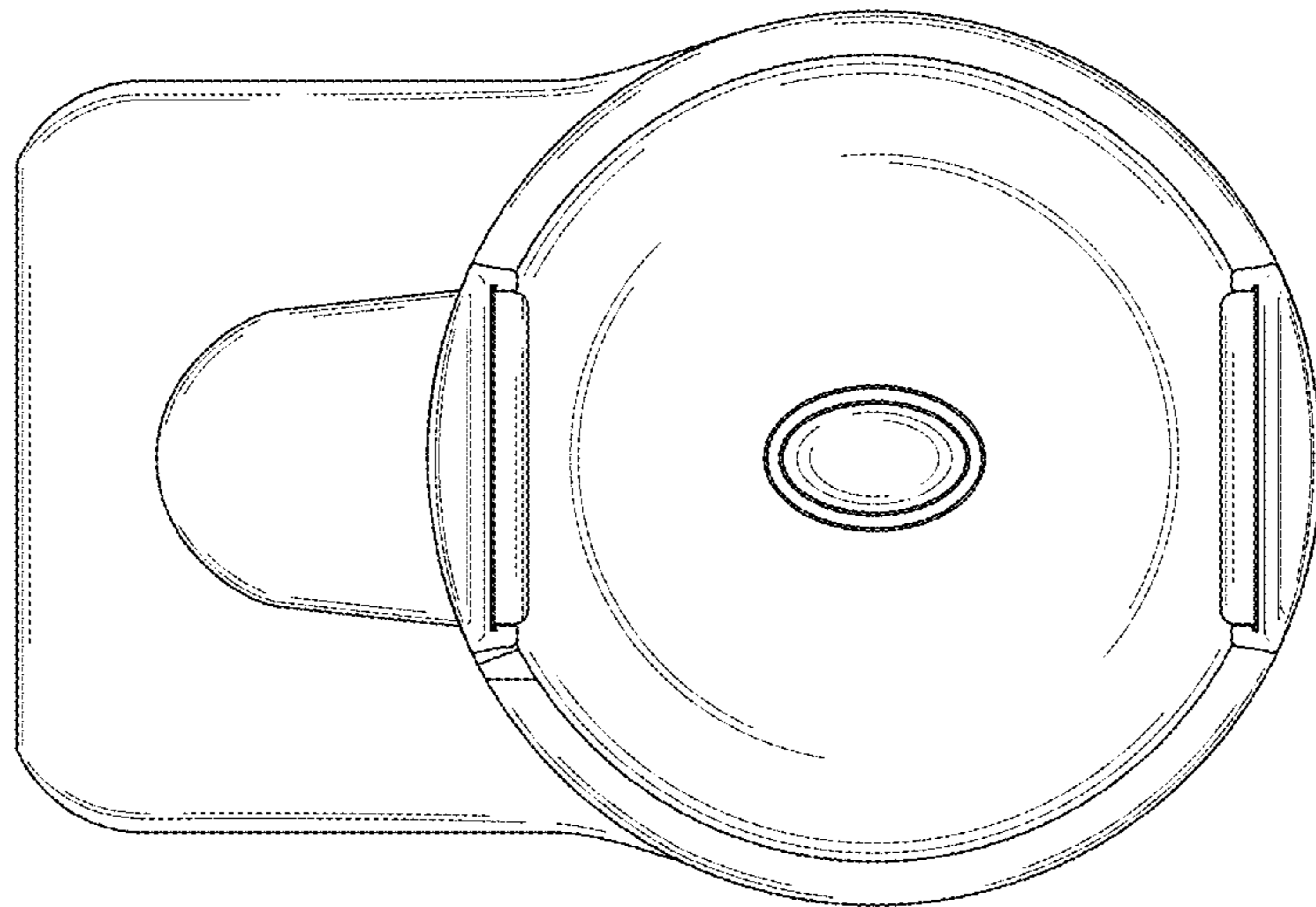


FIG. 21