



US00D838263S

(12) **United States Design Patent** (10) **Patent No.:** **US D838,263 S**
Yun (45) **Date of Patent:** **** Jan. 15, 2019**

(54) **CASE FOR ELECTRONIC COMMUNICATIONS DEVICE**

(74) *Attorney, Agent, or Firm* — Heedong Chae; Lucem, PC

(71) Applicant: **SPIGEN KOREA CO., LTD.**, Seoul (KR)

(57) **CLAIM**

(72) Inventor: **Sun Woo Yun**, Seoul (KR)

The ornamental design for a case for electronic communications device, as shown and described.

(73) Assignee: **SPIGEN KOREA CO., LTD.**, Seoul (KR)

(**) Term: **15 Years**

DESCRIPTION

(21) Appl. No.: **29/627,071**

(22) Filed: **Nov. 22, 2017**

(51) **LOC (11) Cl.** **14-03**

(52) **U.S. Cl.**
USPC **D14/250**

(58) **Field of Classification Search**
USPC D3/218, 232, 233, 239, 242, 245–251, D3/269, 273, 301, 303; D13/103, 107, D13/108, 119; D14/137, 138 R, 138 AA, D14/138 C, 138 G, 203.3–203.7, 217, D14/238.1, 247, 248, 250, 251–253, 440
CPC H04B 1/3888; H04M 1/0283; H04M 1/0202; A45C 1/06; A45C 2011/002; A45C 11/00; A45F 2005/028; A45F 2200/0525

See application file for complete search history.

FIG. 1 is a front perspective view of a case for electronic communications device, comprised of a front cover and a back cover, showing my new design; FIG. 2 is a rear perspective view thereof; FIG. 3 is a front elevational view thereof; FIG. 4 is a rear elevational view thereof; FIG. 5 is a left side elevational view thereof; FIG. 6 is a right side elevational view thereof; FIG. 7 is a top plan view thereof; FIG. 8 is a bottom plan view thereof; FIG. 9 is an exploded front perspective view thereof; FIG. 10 is an exploded rear perspective view thereof; FIG. 11 is a front perspective view of a front cover of the case; FIG. 12 is a rear perspective view of a front cover of the case; FIG. 13 is a front perspective view of a back cover of the case; and, FIG. 14 is a rear perspective view of a back cover of the case.

(56) **References Cited**

U.S. PATENT DOCUMENTS

D484,874 S	1/2004	Chang
D485,357 S	1/2004	Kapinos, Sr.
D545,653 S	7/2007	Kirkpatrick
D574,819 S	8/2008	Andre
D575,056 S	8/2008	Tan
D581,151 S	11/2008	Aipa
D618,230 S	6/2010	Brown

(Continued)

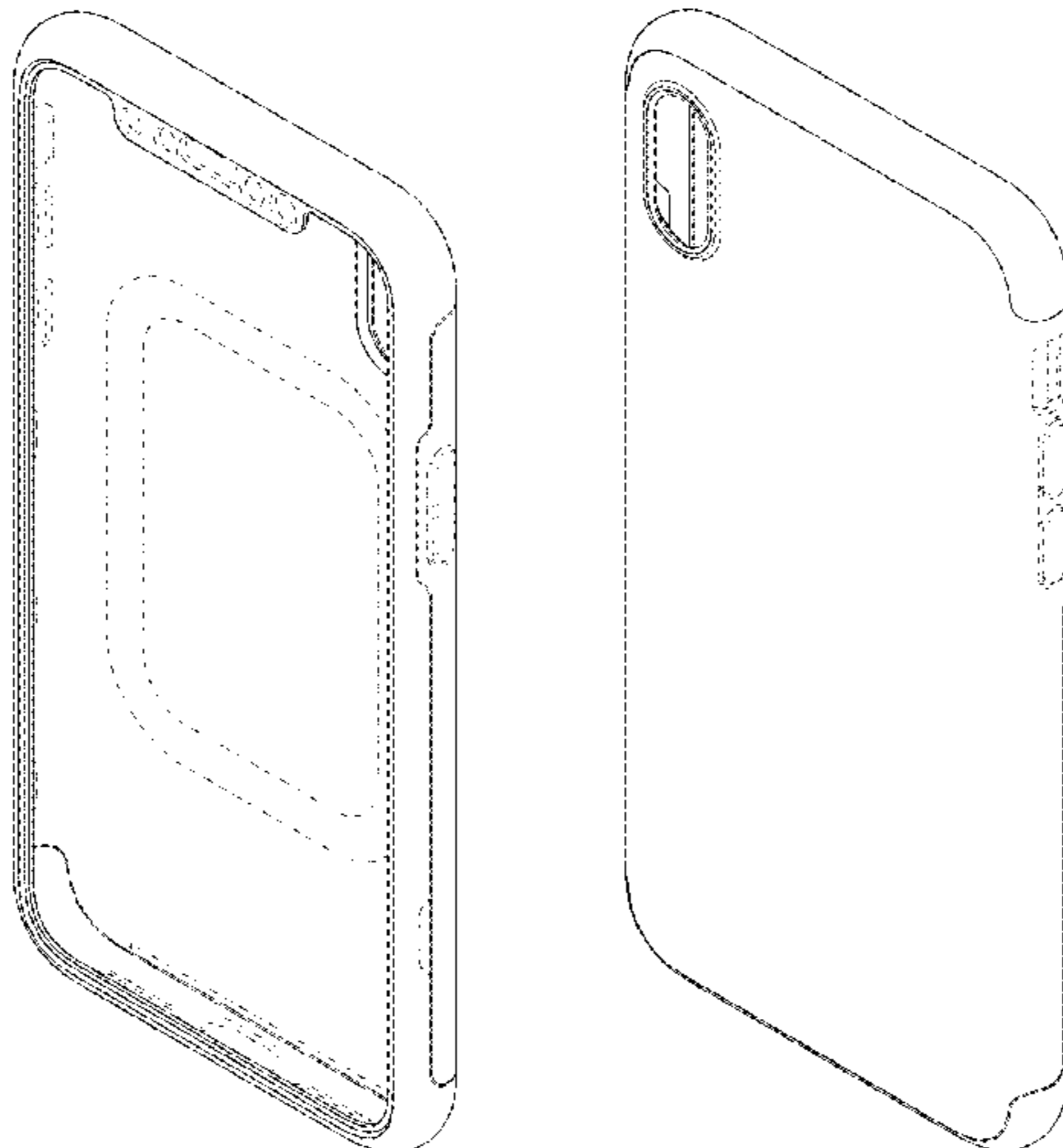
Primary Examiner — Susan E Krakower

Assistant Examiner — L. A. Grabenstetter

Although the case for electronic communications device in which the claimed design is embodied consists of a front cover and a back cover, the claim is directed to the ornamental appearance of the overall design and does not extend to each of the individual components.

The broken lines, and surfaces bounded by broken lines, depict parts of the article's appearance that form no part of the claimed design. The broken lines in FIGS. 9 and 10, showing an electronic device, represents environment, which forms no part of the claimed design.

1 Claim, 14 Drawing Sheets



(56)

References Cited

U.S. PATENT DOCUMENTS

D620,000 S *	7/2010	Bau	D14/250	D756,910 S *	5/2016	Gupta	D13/103
D622,716 S	8/2010	Andre		D757,702 S	5/2016	Kanazawa	
D623,180 S	9/2010	Diebel		D757,703 S	5/2016	Kanazawa	
D635,757 S	4/2011	Ward, Jr.		D761,774 S	7/2016	Liang	
D656,495 S *	3/2012	Andre	D14/250	D761,775 S	7/2016	Pan et al.	
D662,924 S *	7/2012	Melanson	D14/250	D763,841 S	8/2016	Kim	
D669,062 S	10/2012	Rothbaum		D765,632 S	9/2016	Northrup et al.	
D669,458 S	10/2012	Wilson et al.		D765,633 S	9/2016	Northrup et al.	
D670,281 S	11/2012	Corpuz et al.		D765,634 S	9/2016	McCray et al.	
D671,930 S	12/2012	Akana et al.		D765,636 S *	9/2016	Kanazawa	D14/250
D676,837 S	2/2013	Rothbaum et al.		D765,643 S *	9/2016	Witter	D14/250
D681,615 S	5/2013	Fathollahi		D765,644 S	9/2016	Witter et al.	
D685,780 S *	7/2013	Murchison	D14/250	9,451,066 B1	9/2016	Jia	
D686,606 S	7/2013	Hong		D772,210 S	11/2016	Igarashi	
D686,607 S	7/2013	Hong		D772,854 S	11/2016	Igarashi	
D698,776 S	2/2014	Fathollahi		D773,445 S	12/2016	Witter et al.	
D705,769 S *	5/2014	Esses	D14/250	D774,498 S	12/2016	Tao	
D712,892 S	9/2014	Hong et al.		D775,619 S	1/2017	Tien	
D714,053 S	9/2014	Yoo		D776,100 S	1/2017	Igarashi	
D714,276 S	9/2014	Hu et al.		D776,649 S *	1/2017	Kim	D14/250
D715,786 S	10/2014	Lee et al.		D777,152 S *	1/2017	Kim	D14/250
D718,291 S	11/2014	Hong		D777,715 S	1/2017	Sawaya	
D719,559 S	12/2014	Dukerschein et al.		D779,470 S	2/2017	Kim	
D720,740 S *	1/2015	Wicks	D14/250	D779,471 S	2/2017	Tien	
D721,064 S	1/2015	Sun		D780,742 S	3/2017	Guerdrum et al.	
D721,071 S	1/2015	Nelson et al.		D781,839 S	3/2017	Kim et al.	
D721,072 S	1/2015	Laffon De Mazieres et al.		D781,840 S *	3/2017	Kim	D14/250
D721,360 S	1/2015	Laffon de Mazieres et al.		D787,491 S *	5/2017	Kim	D14/250
D723,531 S	3/2015	Katzke		D797,093 S *	9/2017	To	D14/250
D723,535 S	3/2015	Minn et al.		D800,103 S *	10/2017	Andre	D14/250
D726,172 S	4/2015	Watkins et al.		D800,105 S	10/2017	Roberts	
D735,182 S	7/2015	Watkins et al.		D800,711 S	10/2017	Kim	
D743,389 S	11/2015	Akana et al.		D803,823 S	11/2017	Feng	
D744,472 S *	12/2015	Lerenthal	D14/250	D808,376 S	1/2018	Kim	
D746,275 S	12/2015	Mohammad		D808,377 S	1/2018	Witter et al.	
D747,708 S	1/2016	Roberts		2013/0273944 A1 *	10/2013	Wilson	H04W 4/90 455/457
				2016/0142522 A1	5/2016	Kim	
				2016/0285497 A1 *	9/2016	Roberts	A45F 5/00

* cited by examiner

FIG. 1

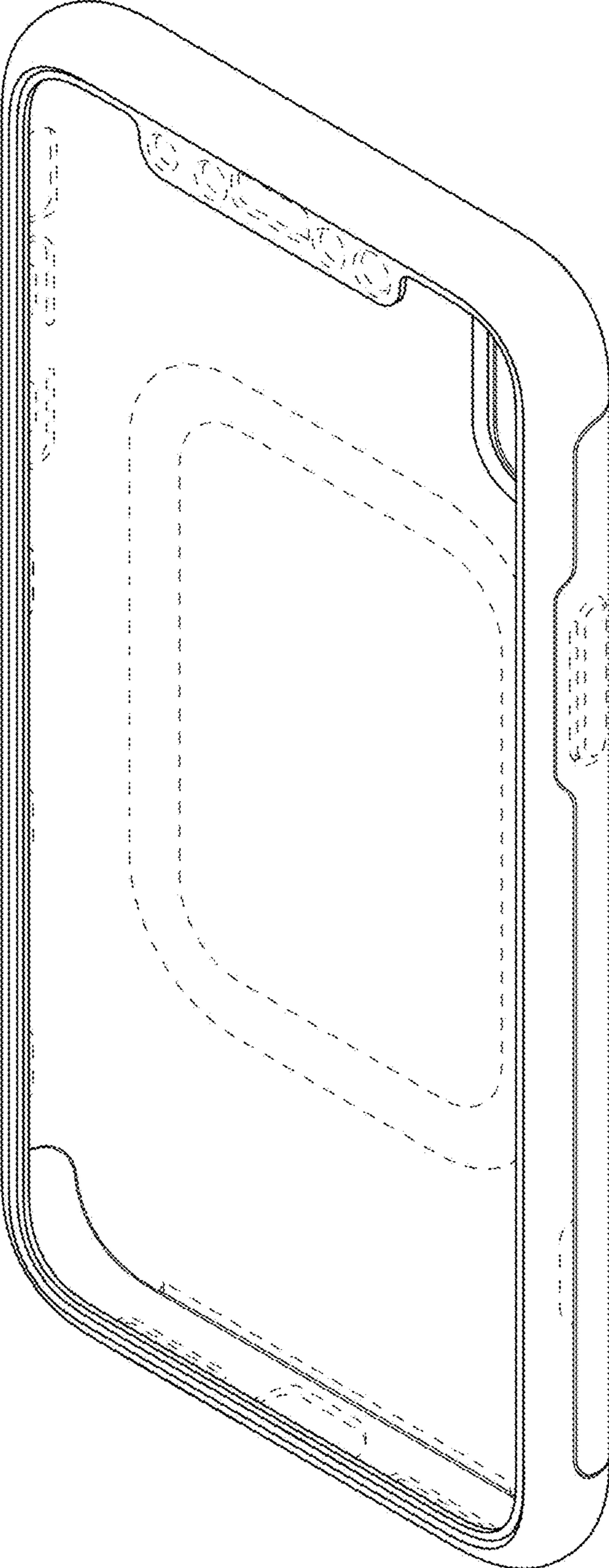


FIG. 2

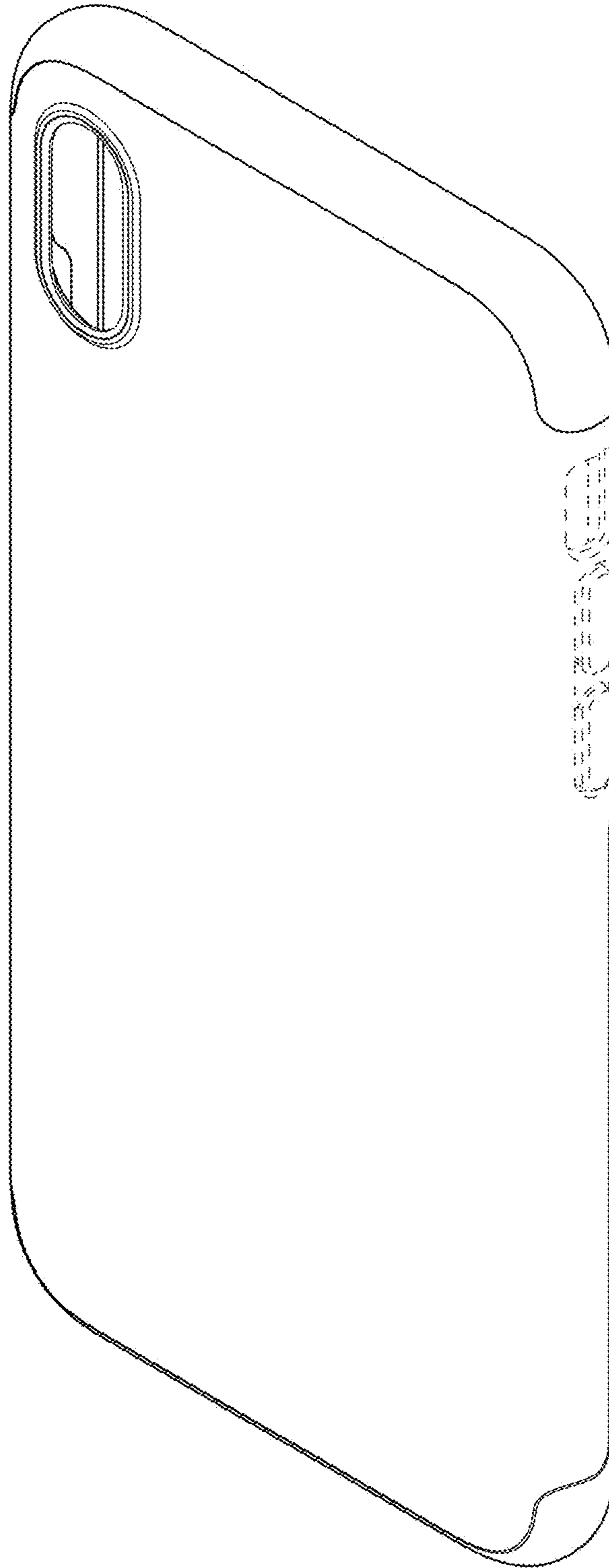


FIG. 3

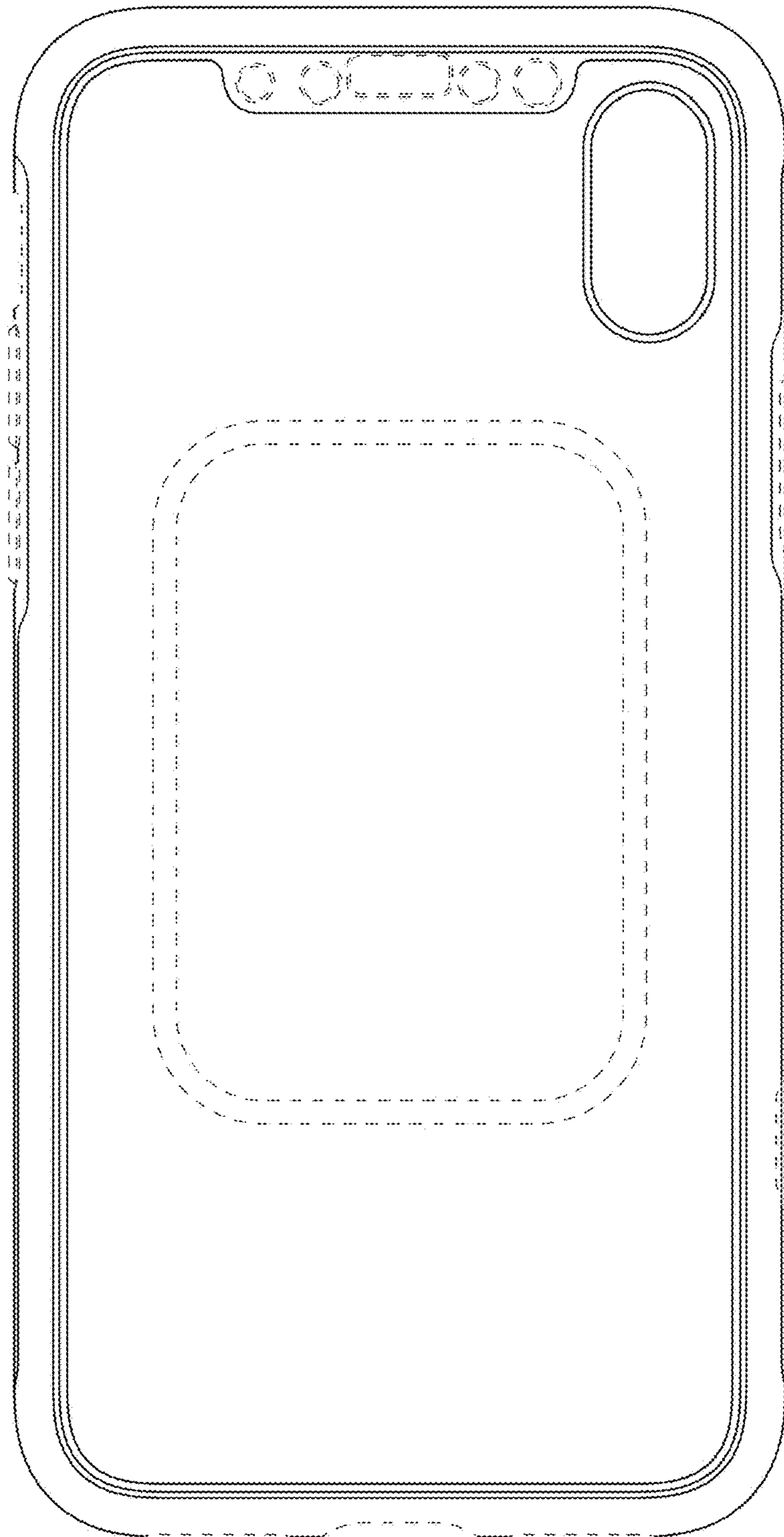


FIG. 4

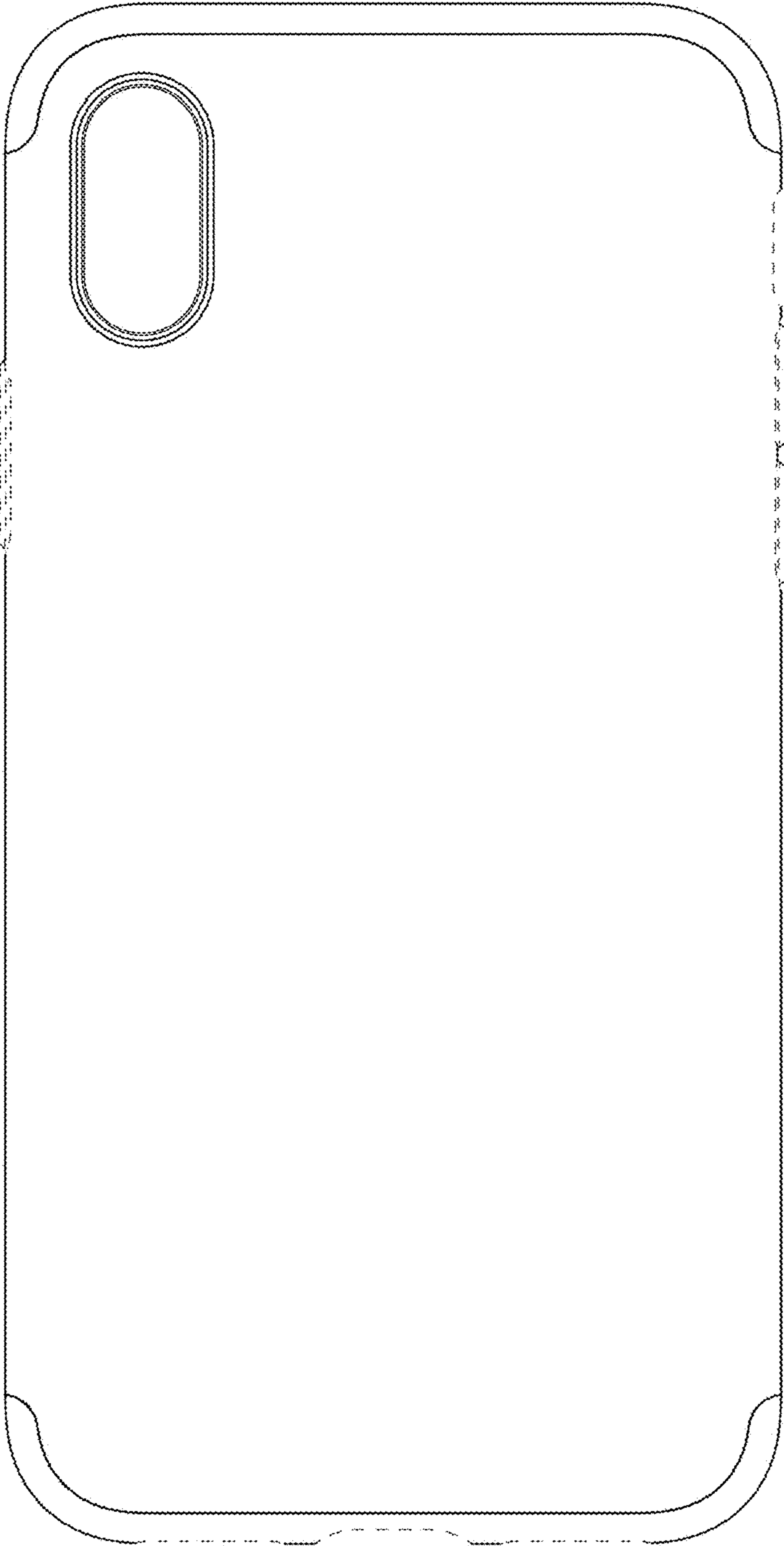


FIG. 5

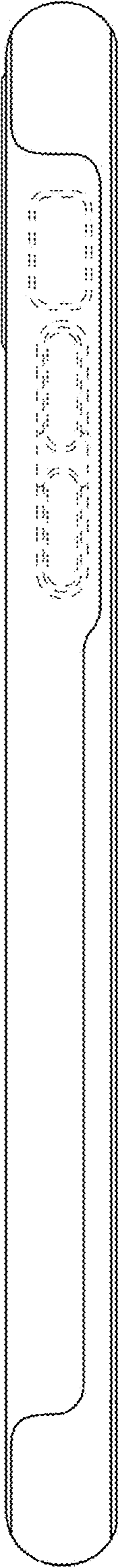


FIG. 6

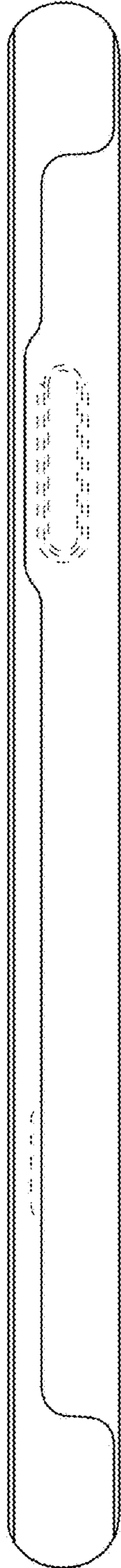


FIG. 7



FIG. 8

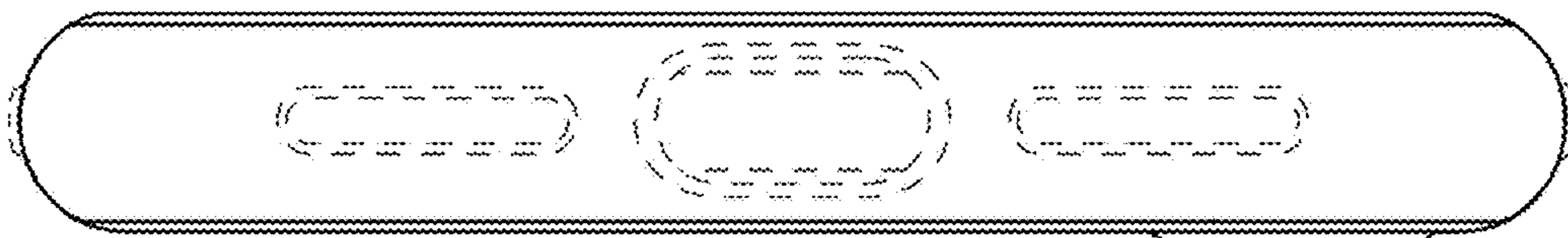


FIG. 9

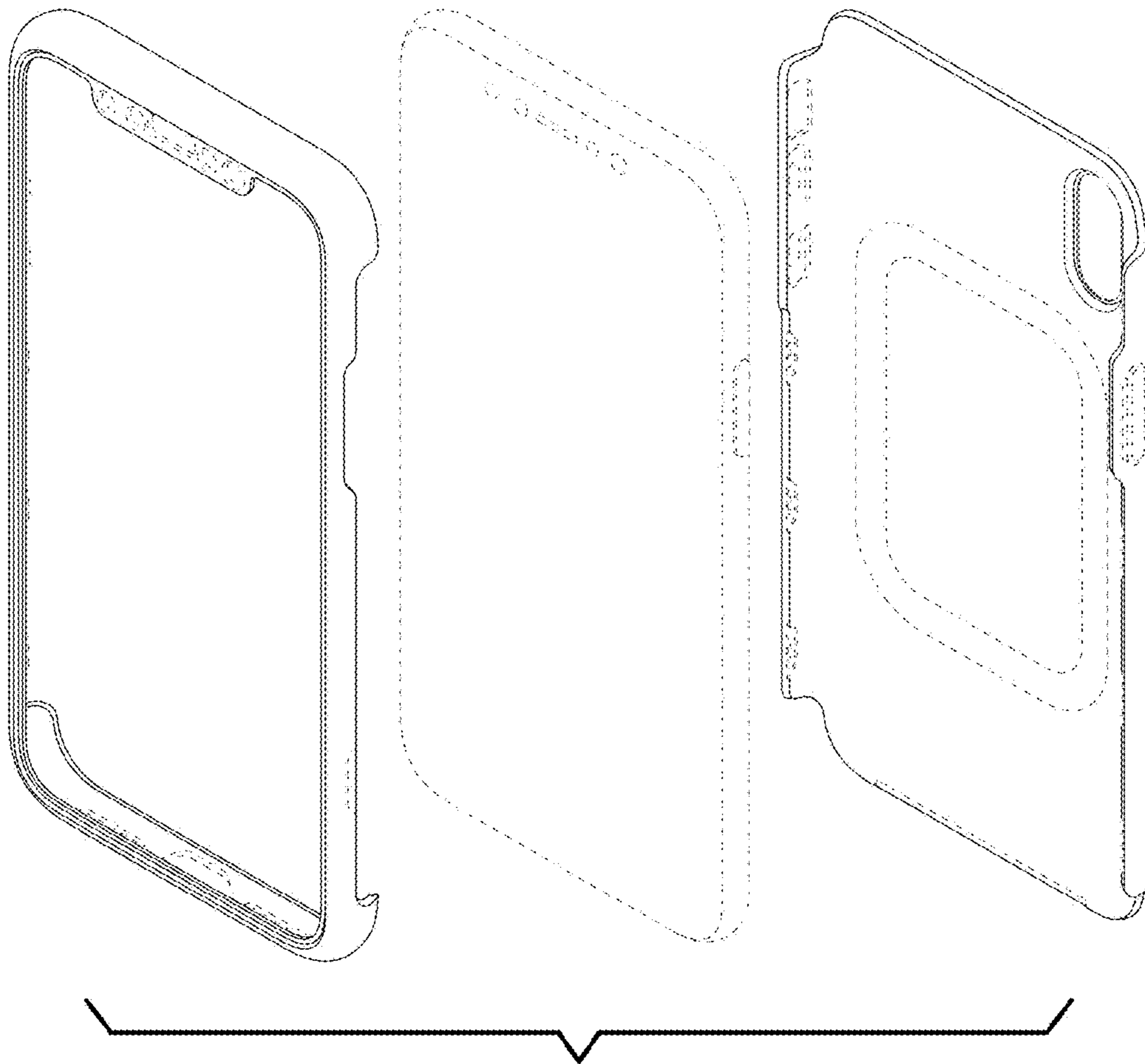


FIG. 10

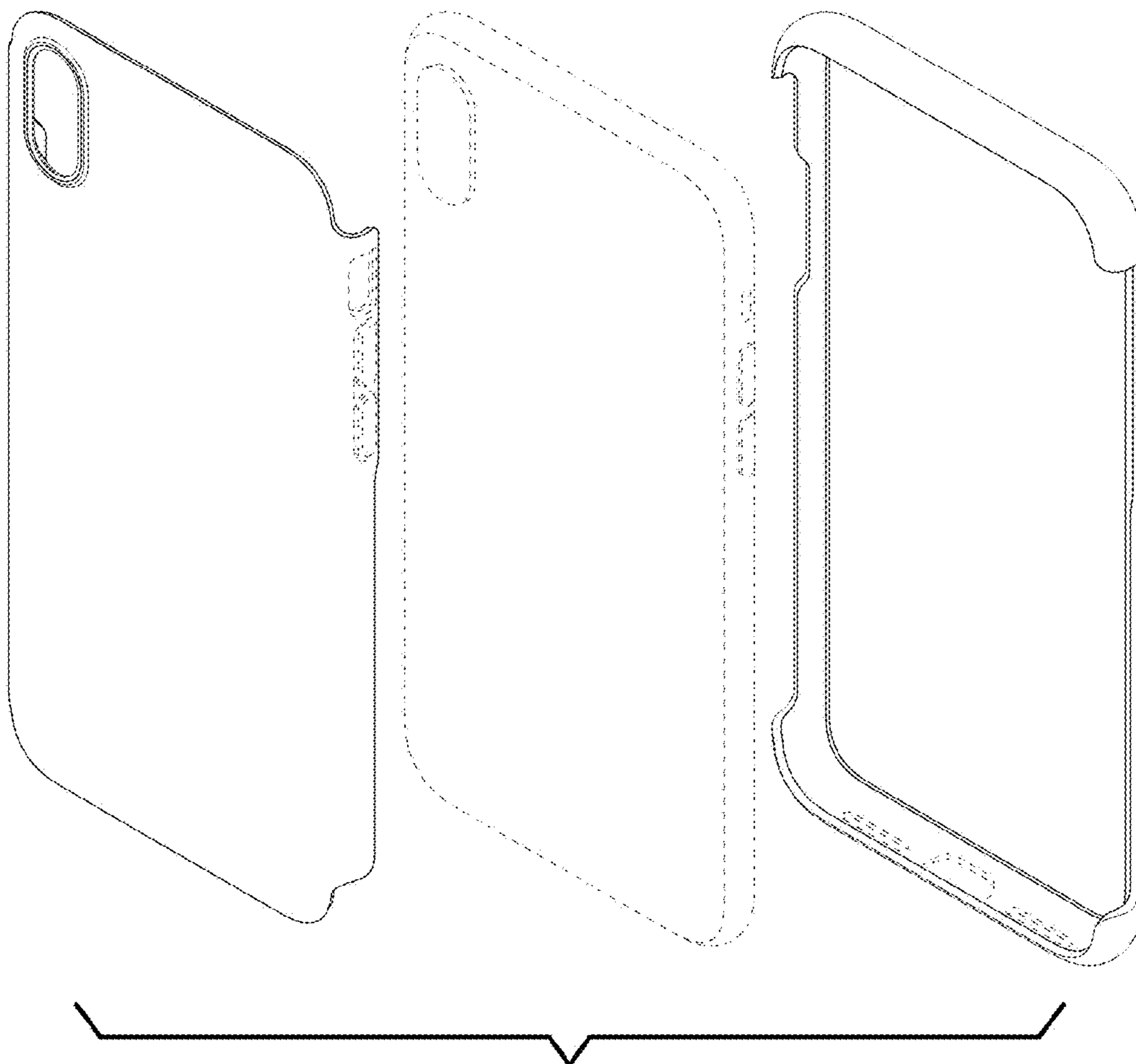


FIG. 11

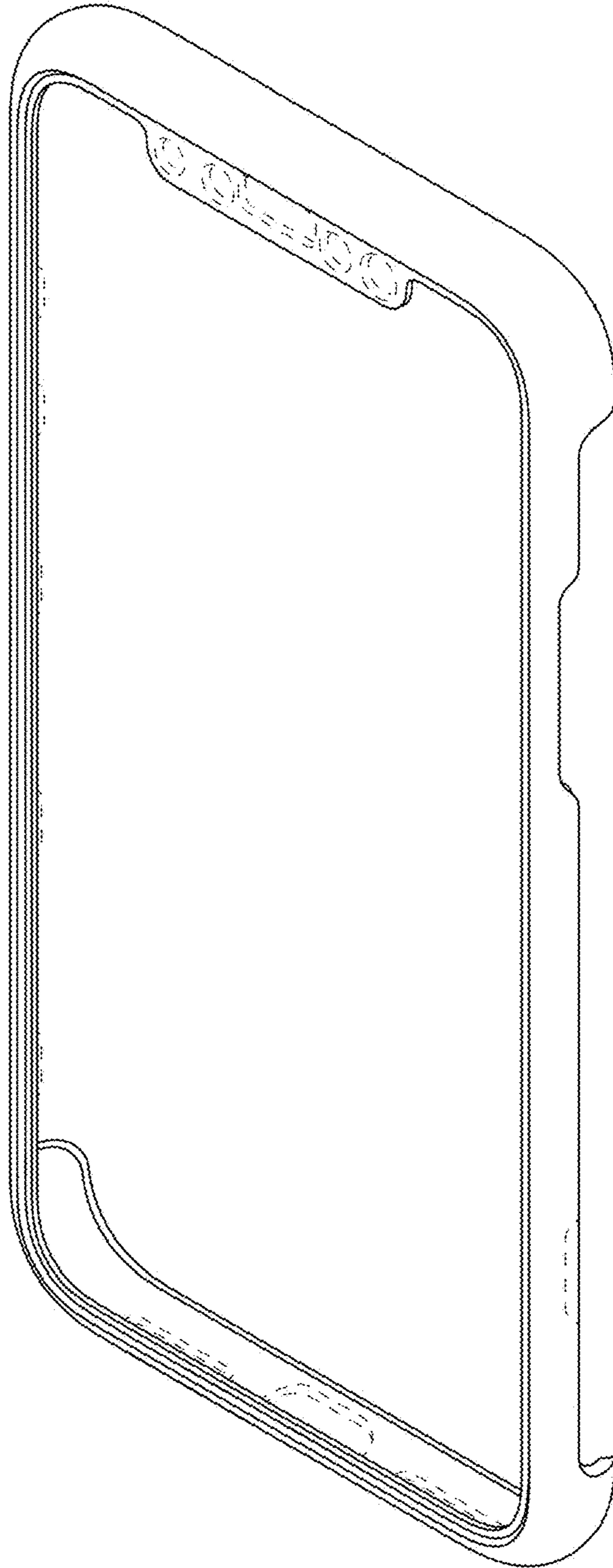


FIG. 12

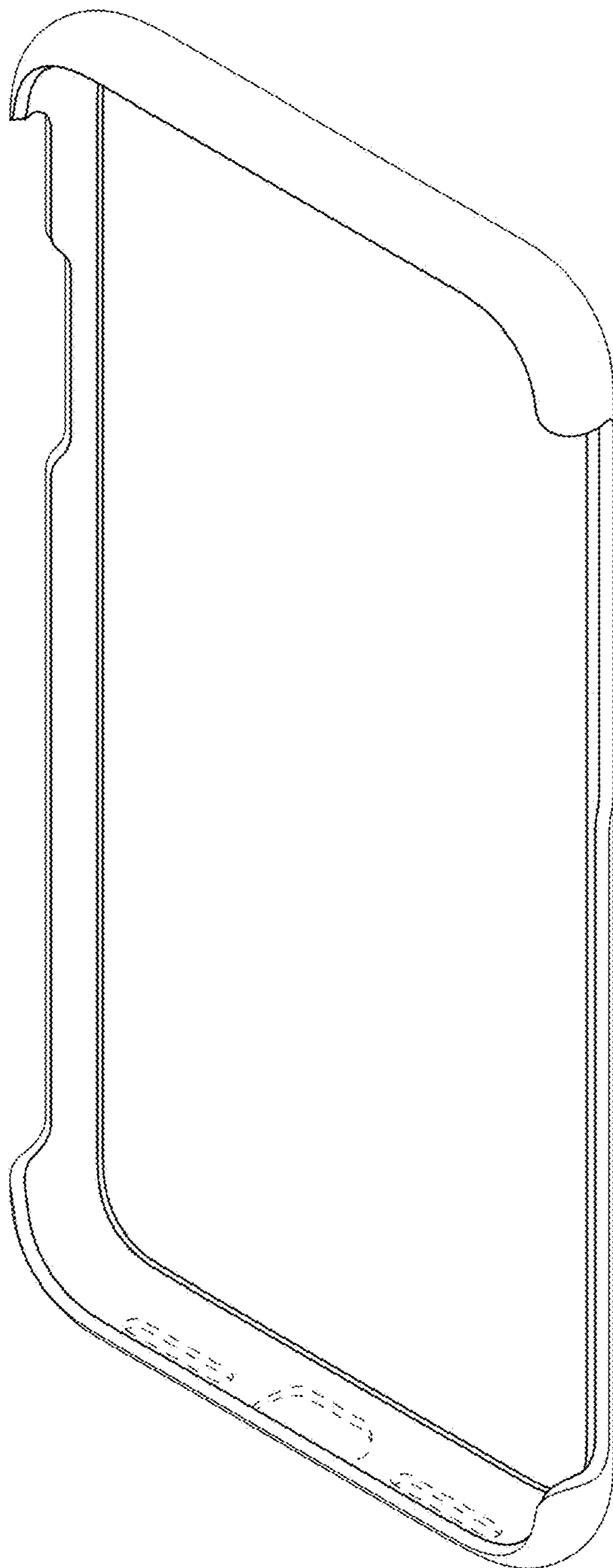


FIG. 13

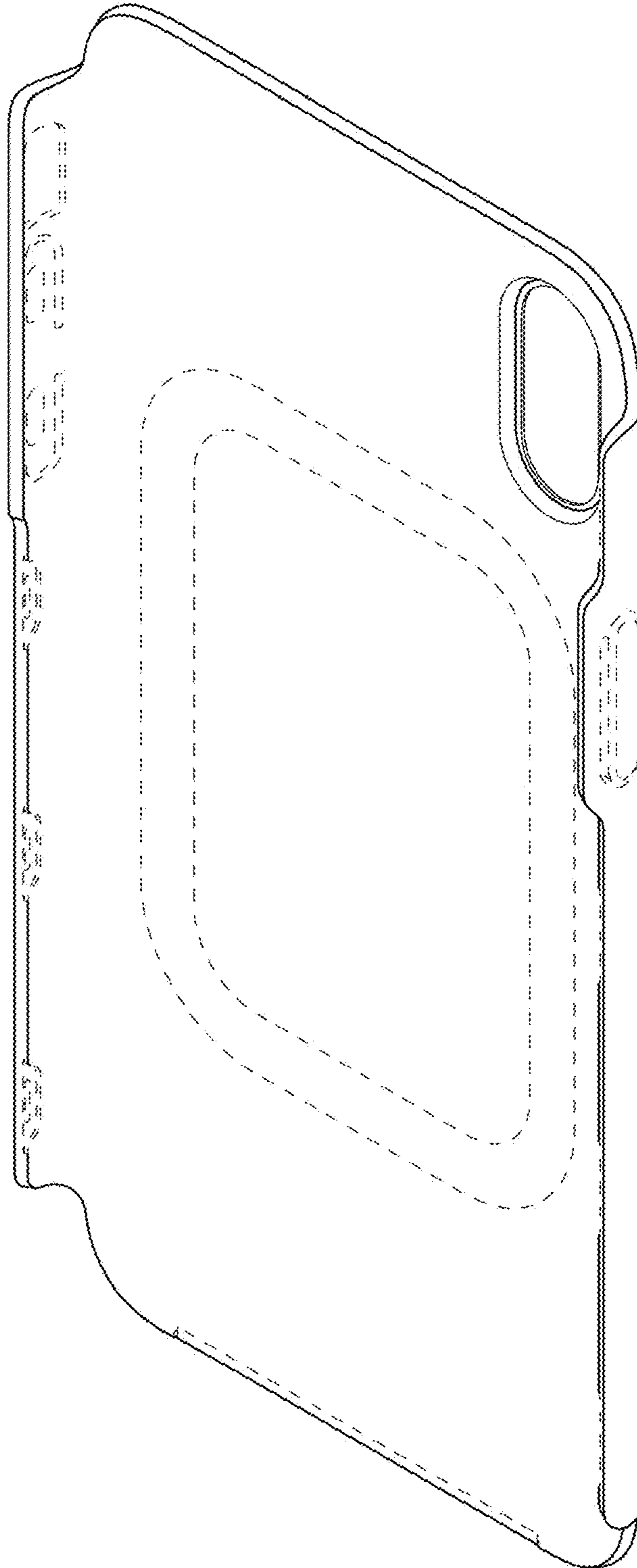


FIG. 14

