



US00D838261S

(12) **United States Design Patent** (10) **Patent No.:** **US D838,261 S**
He et al. (45) **Date of Patent:** **** Jan. 15, 2019**

- (54) **ANTENNA**
- (71) Applicant: **Airgain Incorporated**, San Diego, CA (US)
- (72) Inventors: **Ziming He**, Irvine, CA (US); **Bei Zheng**, Zhang Jia Gang (CN)
- (73) Assignee: **Airgain Incorporated**, San Diego, CA (US)
- (**) Term: **15 Years**
- (21) Appl. No.: **29/644,447**
- (22) Filed: **Apr. 17, 2018**
- (51) **LOC (11) Cl.** **14-03**
- (52) **U.S. Cl.**
USPC **D14/230**
- (58) **Field of Classification Search**
USPC D14/138, 230-238, 299, 358; D12/42, D12/43
CPC H01Q 7/00; H01Q 13/10; H01Q 9/285; H01Q 19/30; H01Q 19/12; H01Q 1/38; H01Q 1/36; H01Q 5/0027; H01Q 1/48; H01Q 9/045; H01Q 1/243; H04B 1/0475; H04B 1/034; H05K 11/00
See application file for complete search history.

- D592,195 S 5/2009 Wu et al.
- 7,570,215 B2 8/2009 Abramov et al.
- D599,334 S 9/2009 Chiang
- D606,053 S 12/2009 Wu et al.
- D607,442 S 1/2010 Su et al.
- D608,769 S 1/2010 Bufe
- D612,368 S 3/2010 Yang et al.
- 7,705,783 B2 4/2010 Rao et al.
- 7,729,662 B2 6/2010 Abramov et al.
- D621,819 S 8/2010 Tsai et al.
- 7,843,390 B2 11/2010 Liu
- D633,483 S 3/2011 Su et al.
- D635,127 S 3/2011 Tsai et al.
- 7,907,971 B2 3/2011 Salo et al.
- D635,560 S 4/2011 Tsai et al.
- D635,963 S 4/2011 Podduturi
- D635,964 S 4/2011 Podduturi
- D635,965 S 4/2011 Mi et al.
- D636,382 S 4/2011 Podduturi
- 7,965,242 B2 6/2011 Abramov et al.

(Continued)

Primary Examiner — John Windmuller

(74) *Attorney, Agent, or Firm* — Clause Eight IPS; Michael Catania

(57) **CLAIM**

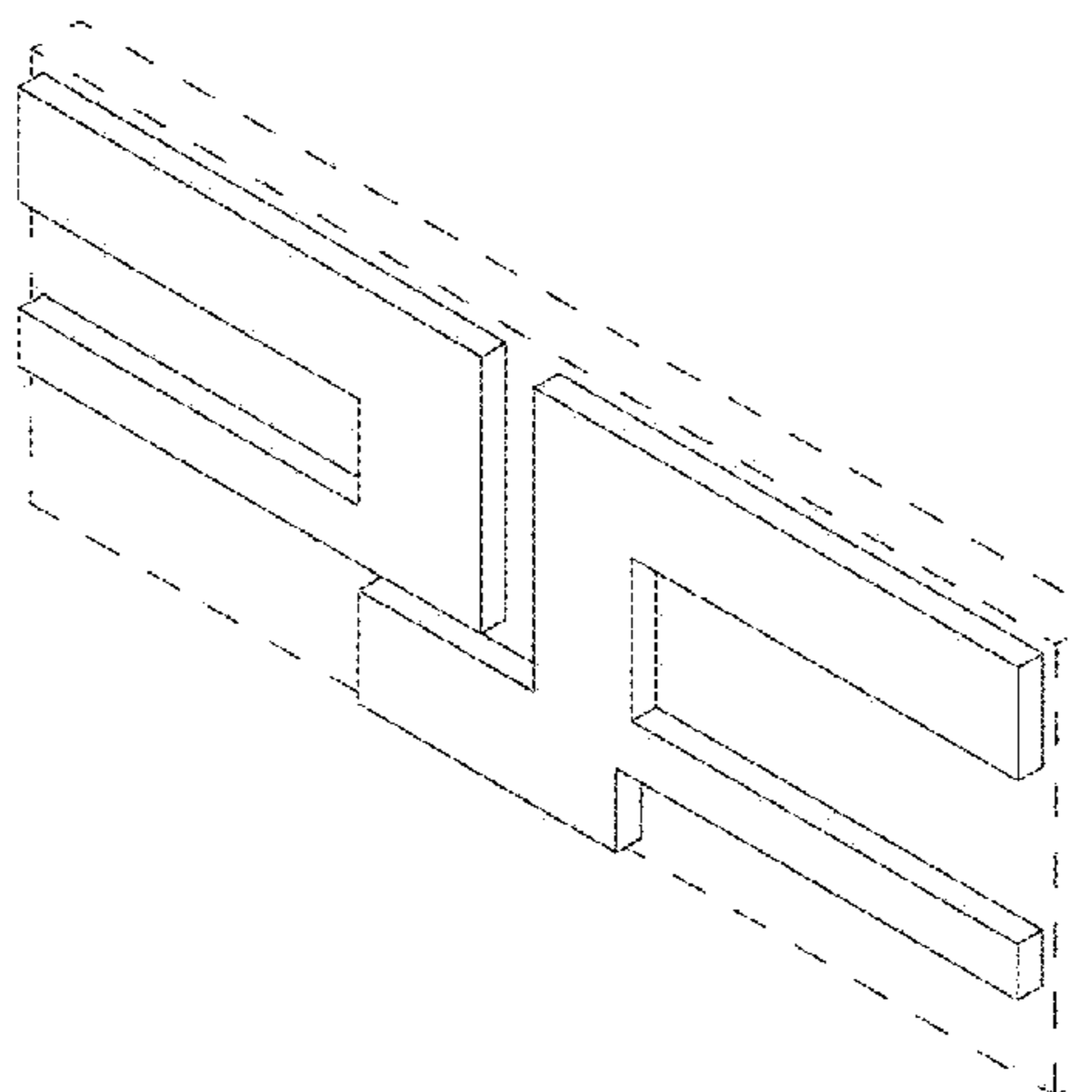
The ornamental design for an antenna, as shown and described.

DESCRIPTION

FIG. 1 is a top plan view of an antenna, showing our new design;
FIG. 2 is a side elevation view thereof;
FIG. 3 is a side elevation view thereof;
FIG. 4 is a front elevation view thereof;
FIG. 5 is a rear elevation view thereof;
FIG. 6 is a bottom plan view thereof; and,
FIG. 7 is a top perspective view thereof.
The broken lines show unclaimed environment only and form no part of the claimed design.

1 Claim, 7 Drawing Sheets

- (56) **References Cited**
U.S. PATENT DOCUMENTS
- 7,061,437 B2 6/2006 Lin et al.
- 7,148,849 B2 12/2006 Lin
- 7,215,296 B2 5/2007 Abramov et al.
- D546,821 S 7/2007 Oliver
- D549,696 S 8/2007 Oshima et al.
- 7,333,067 B2 2/2008 Hung et al.
- 7,336,959 B2 2/2008 Khitrik et al.
- D573,589 S 7/2008 Montgomery et al.
- 7,405,704 B1 8/2008 Lin et al.
- 7,477,195 B2 1/2009 Vance



(56)

References Cited

U.S. PATENT DOCUMENTS

D649,962 S	12/2011	Tseng et al.	D706,751 S	6/2014	Chang et al.
D651,198 S	12/2011	Mi et al.	D708,602 S	7/2014	Gosalia et al.
D654,059 S	2/2012	Mi et al.	D709,053 S	7/2014	Chang et al.
D654,060 S	2/2012	Ko et al.	D710,832 S	8/2014	Yang
D658,639 S	5/2012	Huang et al.	D710,833 S	8/2014	Zheng et al.
D659,129 S	5/2012	Mi et al.	8,854,265 B1	10/2014	Yang et al.
D659,685 S	5/2012	Huang et al.	D716,775 S	11/2014	Bidermann
D659,688 S	5/2012	Huang et al.	D750,049 S *	2/2016	Podduturi D14/230
8,175,036 B2	5/2012	Visuri et al.	D764,447 S *	8/2016	Yang D14/230
8,184,601 B2	5/2012	Abramov et al.	D767,544 S *	9/2016	Yang D14/230
D662,916 S	7/2012	Huang et al.	9,755,302 B2 *	9/2017	Flores-Cuadras H01Q 1/085
8,248,970 B2	8/2012	Abramov et al.	D801,956 S *	11/2017	He D14/230
D671,097 S	11/2012	Mi et al.	D802,566 S *	11/2017	Yang D14/230
8,310,402 B2	11/2012	Yang	D803,198 S *	11/2017	He D14/230
D676,429 S	2/2013	Gosalia et al.	D816,644 S *	5/2018	Schulteis D14/230
D678,255 S	3/2013	Ko et al.	D826,910 S *	8/2018	Zhao D14/230
8,423,084 B2	4/2013	Abramov et al.	2002/0003499 A1	1/2002	Kouam et al.
D684,565 S	6/2013	Wei	2004/0222936 A1	11/2004	Hung et al.
D685,352 S	7/2013	Wei	2005/0073462 A1	4/2005	Lin et al.
D685,772 S	7/2013	Zheng et al.	2005/0190108 A1	9/2005	Lin et al.
D686,600 S	7/2013	Yang	2006/0208900 A1	9/2006	Tavassoli Hozouri
D689,474 S	9/2013	Yang et al.	2007/0030203 A1	2/2007	Tsai et al.
D692,870 S	11/2013	He	2008/0150829 A1	6/2008	Lin et al.
D694,738 S	12/2013	Yang	2009/0002244 A1	1/2009	Woo
D695,279 S	12/2013	Yang et al.	2009/0058739 A1	3/2009	Konishi
D695,280 S	12/2013	Yang et al.	2009/0135072 A1	5/2009	Ke et al.
D703,195 S	4/2014	Zheng	2009/0262028 A1	10/2009	Murnbru et al.
D703,196 S	4/2014	Zheng	2010/0188297 A1	7/2010	Chen et al.
D706,247 S	6/2014	Zheng et al.	2010/0309067 A1	12/2010	Tsou et al.
D706,750 S	6/2014	Bringuir	2011/0006950 A1	1/2011	Park et al.
			2012/0038514 A1	2/2012	Bang
			2012/0229348 A1	9/2012	Chiang
			2012/0242546 A1	9/2012	Hu et al.

* cited by examiner

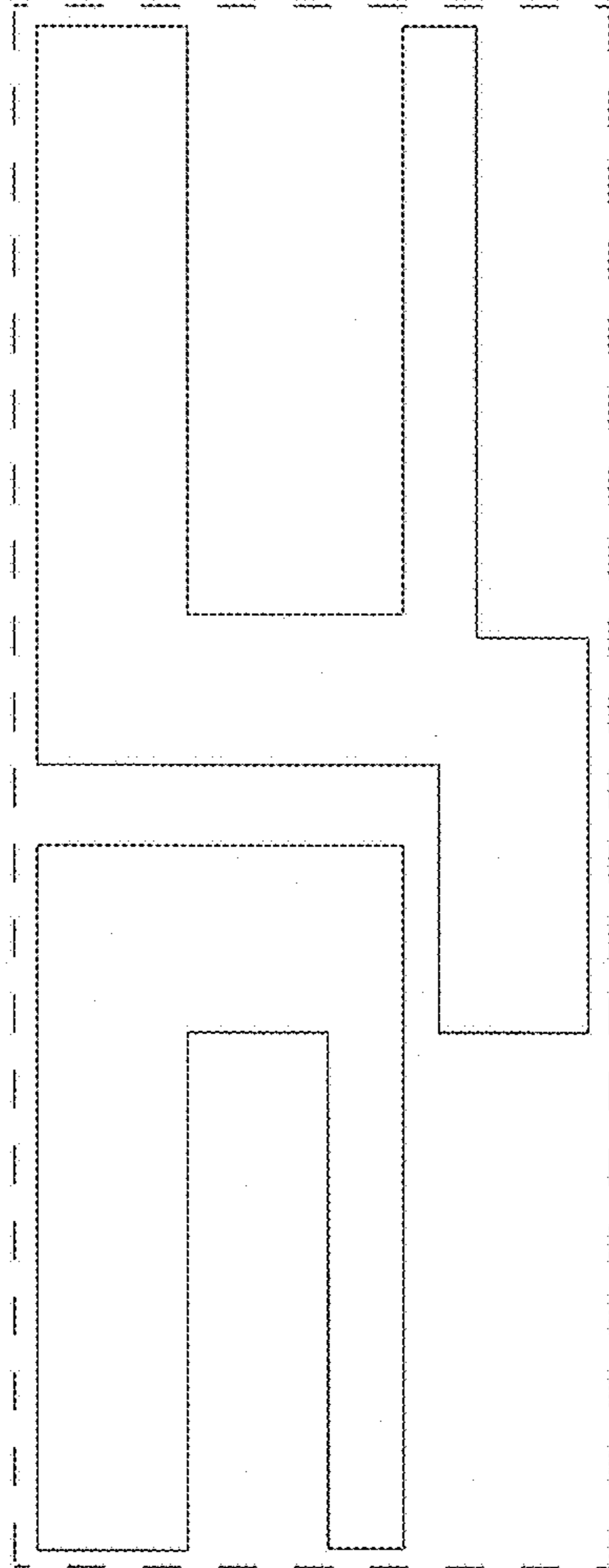


FIG. 1



FIG. 2

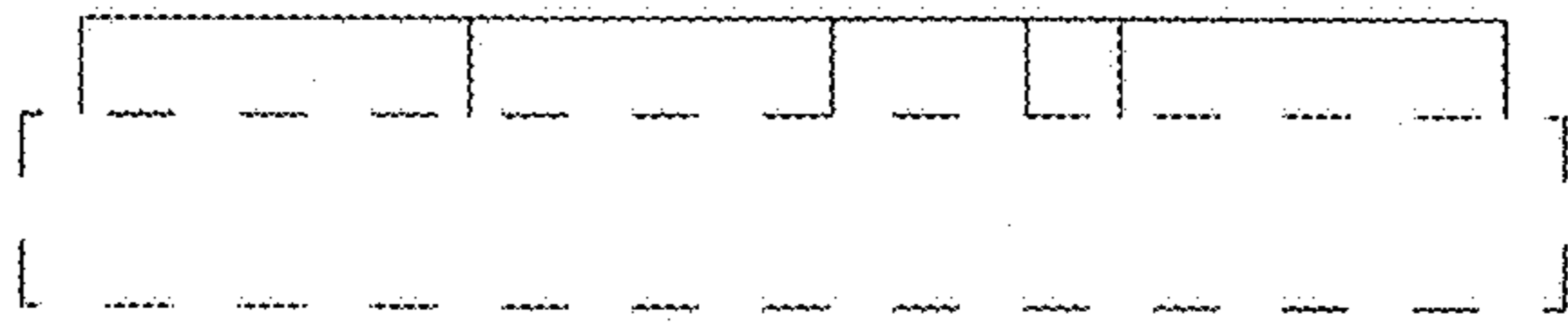


FIG. 3



FIG. 4



FIG. 5

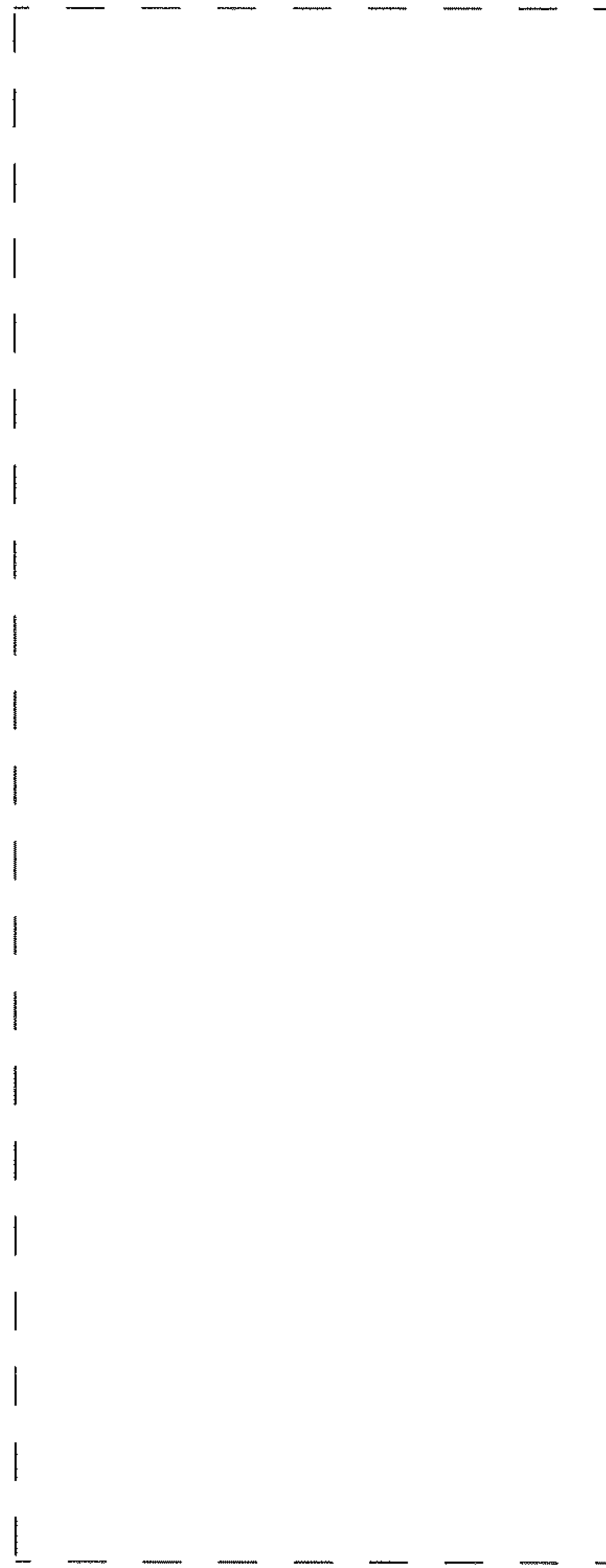


FIG. 6

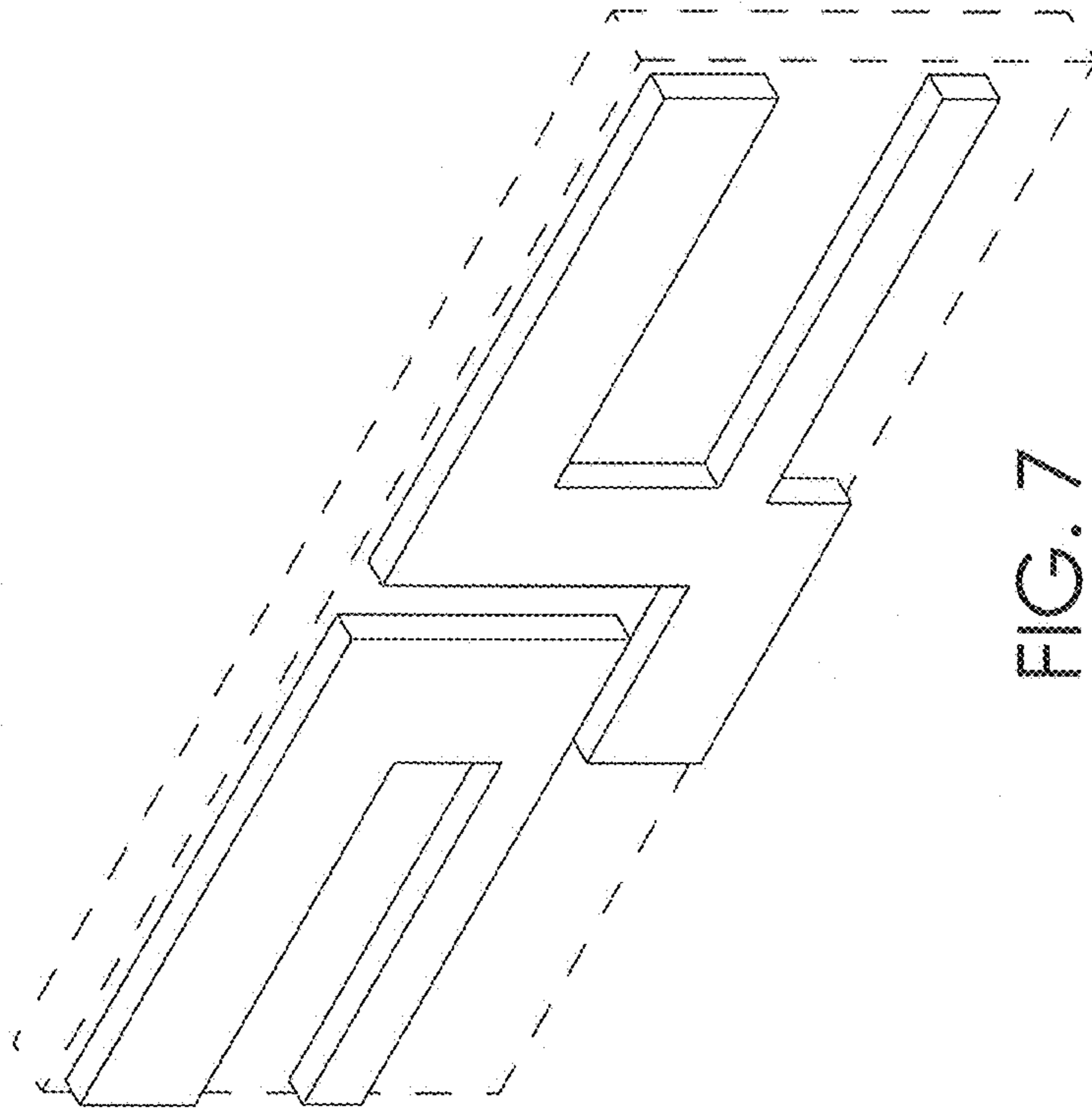


FIG. 7