



US00D838258S

(12) **United States Design Patent**
Hsieh et al.

(10) **Patent No.:** **US D838,258 S**
(45) **Date of Patent:** **** Jan. 15, 2019**

(54) **EARPHONE**

(71) Applicant: **1MORE INC.**, Nanshan District
Shenzhen, Guangdong (CN)

(72) Inventors: **Kuan-Hong Hsieh**, Guangdong (CN);
Shichen Xu, Guangdong (CN)

(73) Assignee: **1MORE INC.**, Guangdong (CN)

(**) Term: **15 Years**

(21) Appl. No.: **29/589,337**

(22) Filed: **Dec. 30, 2016**

(30) **Foreign Application Priority Data**

Jul. 4, 2016 (CN) 2016 3 0301733

(51) **LOC (11) Cl.** **14-01**

(52) **U.S. Cl.**
USPC **D14/223**

(58) **Field of Classification Search**

USPC ... D14/205, 217, 221, 223, 224, 224.1, 225;
D24/173, 174

CPC H04R 1/10; H04R 1/1016; H04R 1/1066;
H04R 1/105; H04R 1/1033; H04R 1/08;
H04R 5/033; H04R 5/0335; H04R 25/00

See application file for complete search history.

(56) **References Cited**

U.S. PATENT DOCUMENTS

D539,268 S * 3/2007 Suzuki D14/206
D623,630 S * 9/2010 Ohori D14/223
D716,273 S * 10/2014 Yamamoto D14/223
D727,871 S * 4/2015 Orbach D14/205

D729,775 S * 5/2015 Seo D14/205
D732,508 S * 6/2015 Funayama D14/223
D775,108 S * 12/2016 Hsieh D14/223
D784,962 S * 4/2017 Yang D14/223
D813,206 S * 3/2018 Tang D14/223
D817,933 S * 5/2018 Liu D14/223
D820,810 S * 6/2018 Levine D14/205
D822,009 S * 7/2018 Matoba D14/223
D824,359 S * 7/2018 Czaniecki D14/205
D824,875 S * 8/2018 Czaniecki D14/205
D824,876 S * 8/2018 Wei D14/205
D825,534 S * 8/2018 Kim D14/223
D829,193 S * 9/2018 Cai D14/223
D830,345 S * 10/2018 Cai D14/223

* cited by examiner

Primary Examiner — Barbara Fox

Assistant Examiner — Messina L Smith

(74) *Attorney, Agent, or Firm* — Ladas & Parry LLP

(57) **CLAIM**

The ornamental design for an earphone, as shown and described.

DESCRIPTION

FIG. 1 is a front elevational view of an earphone showing my new design;

FIG. 2 is a rear elevational view thereof;

FIG. 3 is a left side elevational view thereof;

FIG. 4 is a right side elevational view thereof;

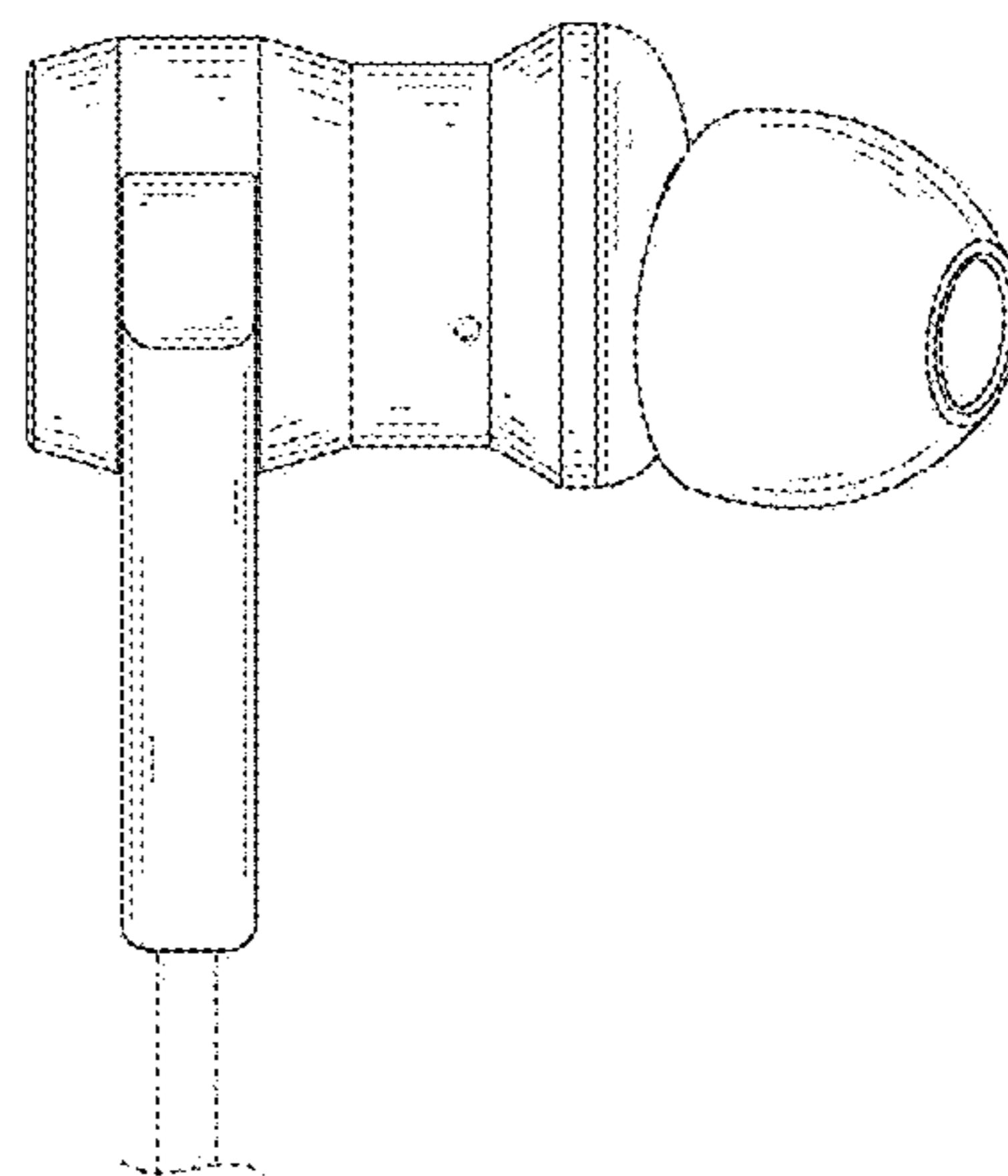
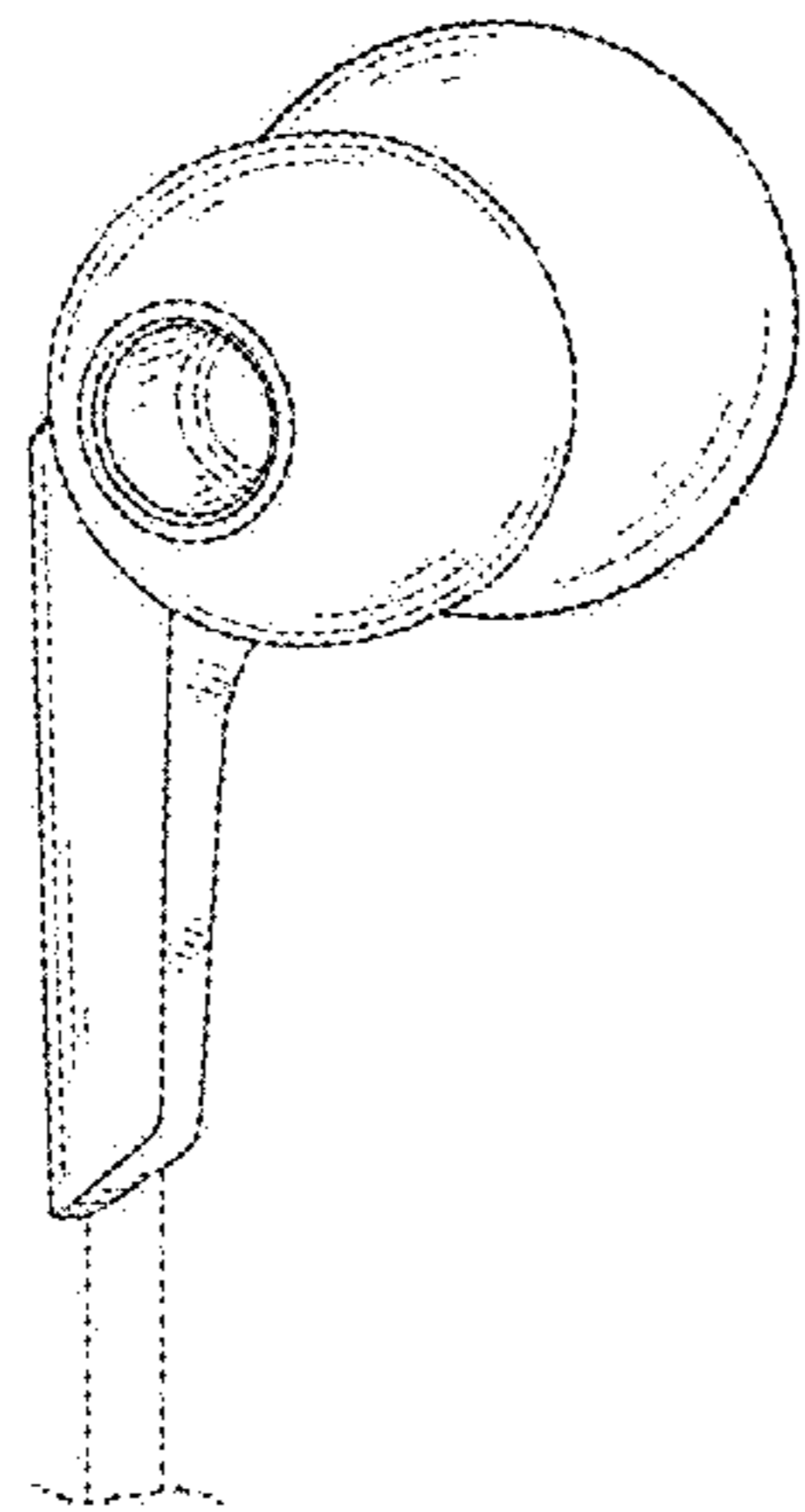
FIG. 5 is a top plan view thereof;

FIG. 6 is a bottom plan view thereof; and,

FIG. 7 is a perspective view thereof.

The broken lines shown in the drawings depict environmental structure and form no part of the claimed design.

1 Claim, 7 Drawing Sheets



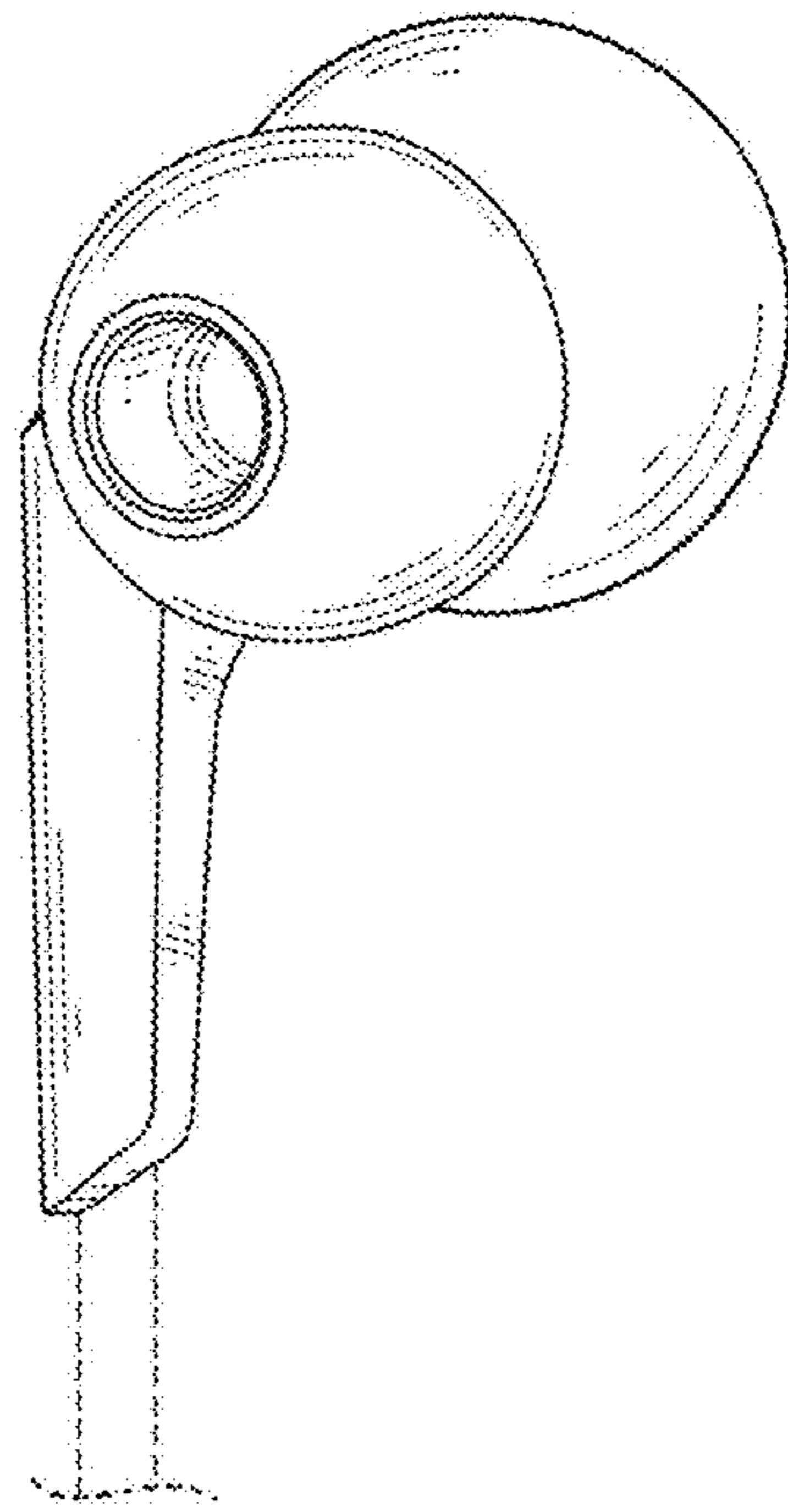


FIG. 1

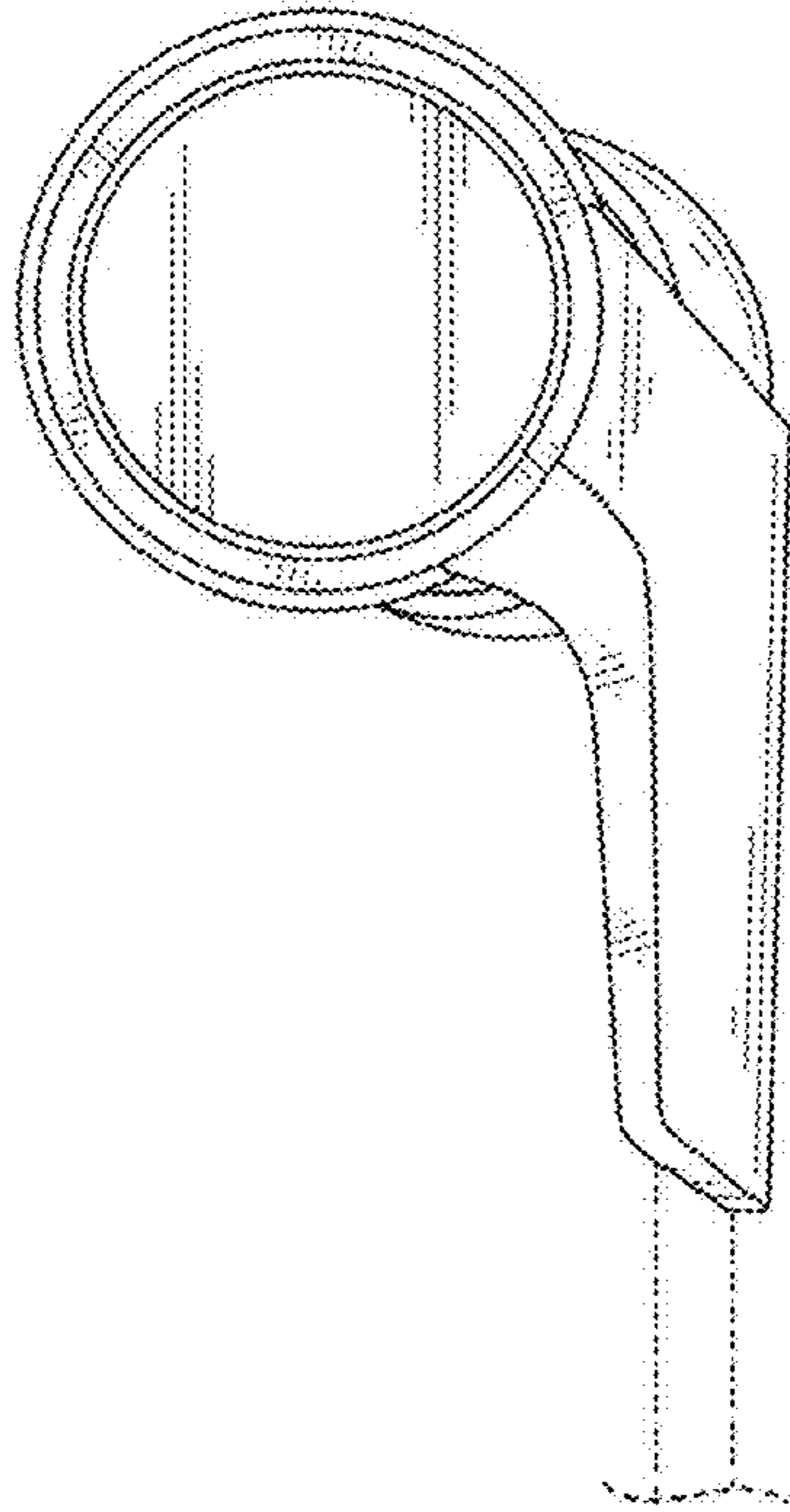


FIG. 2

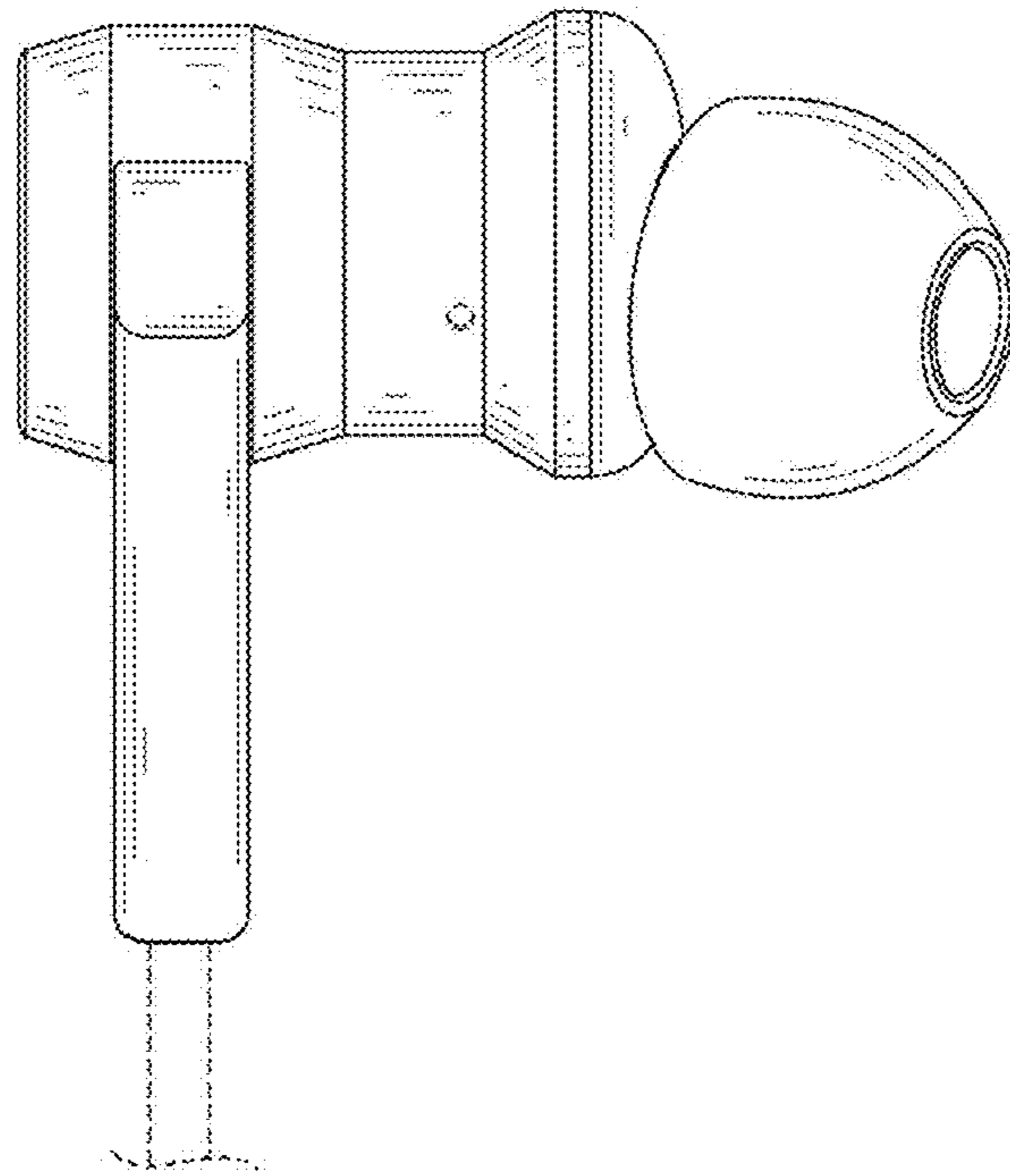


FIG. 3

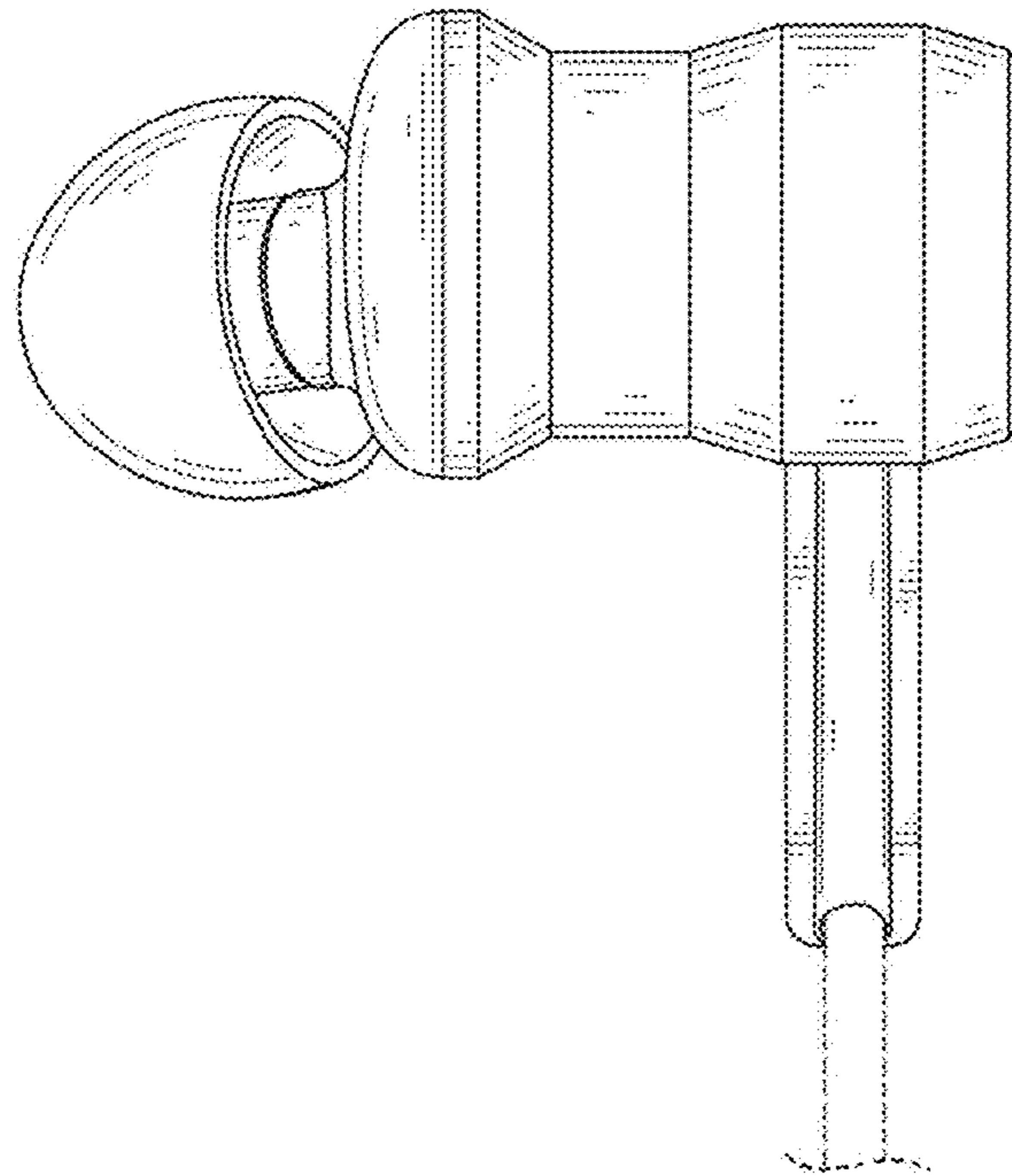


FIG. 4

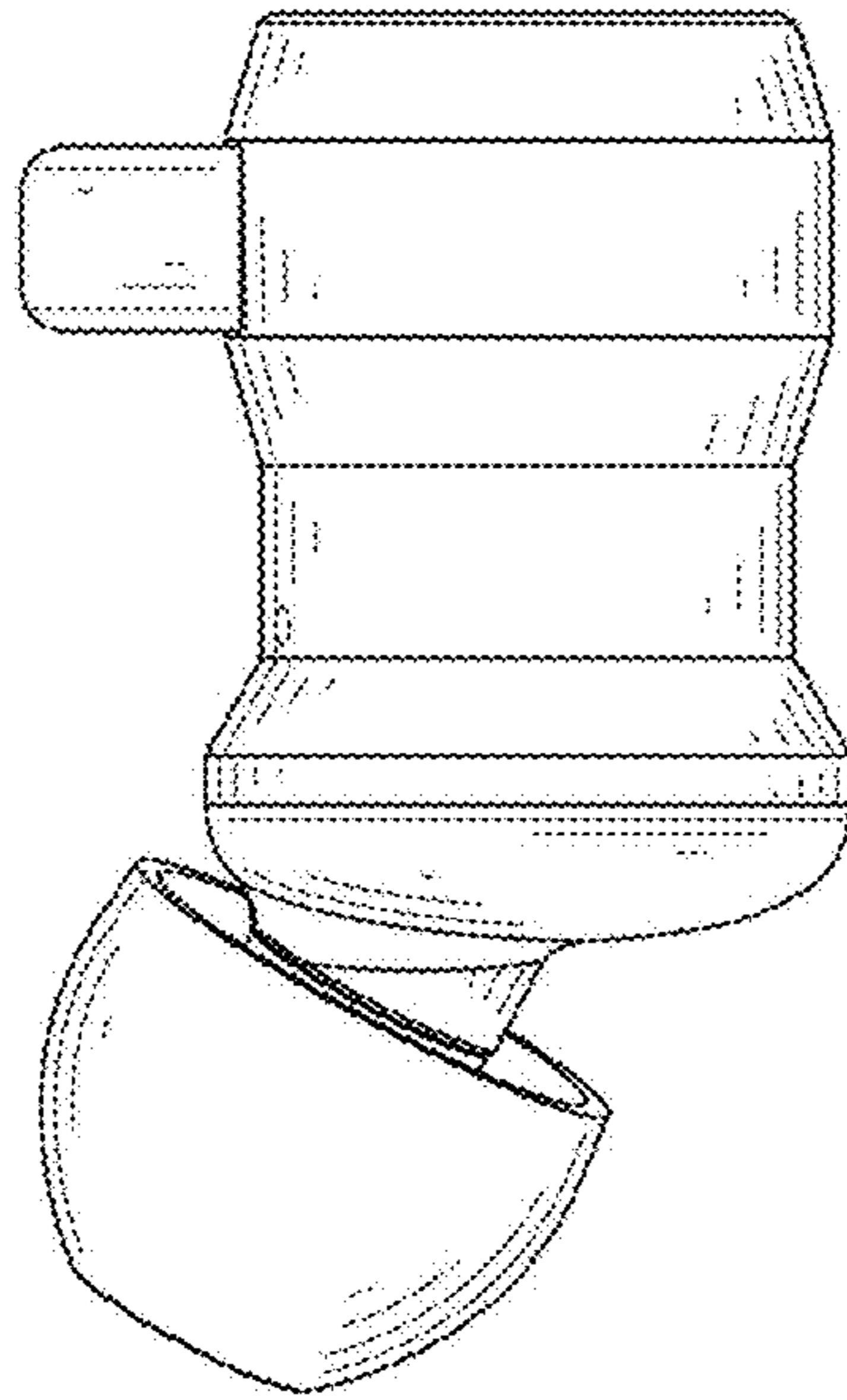


FIG. 5

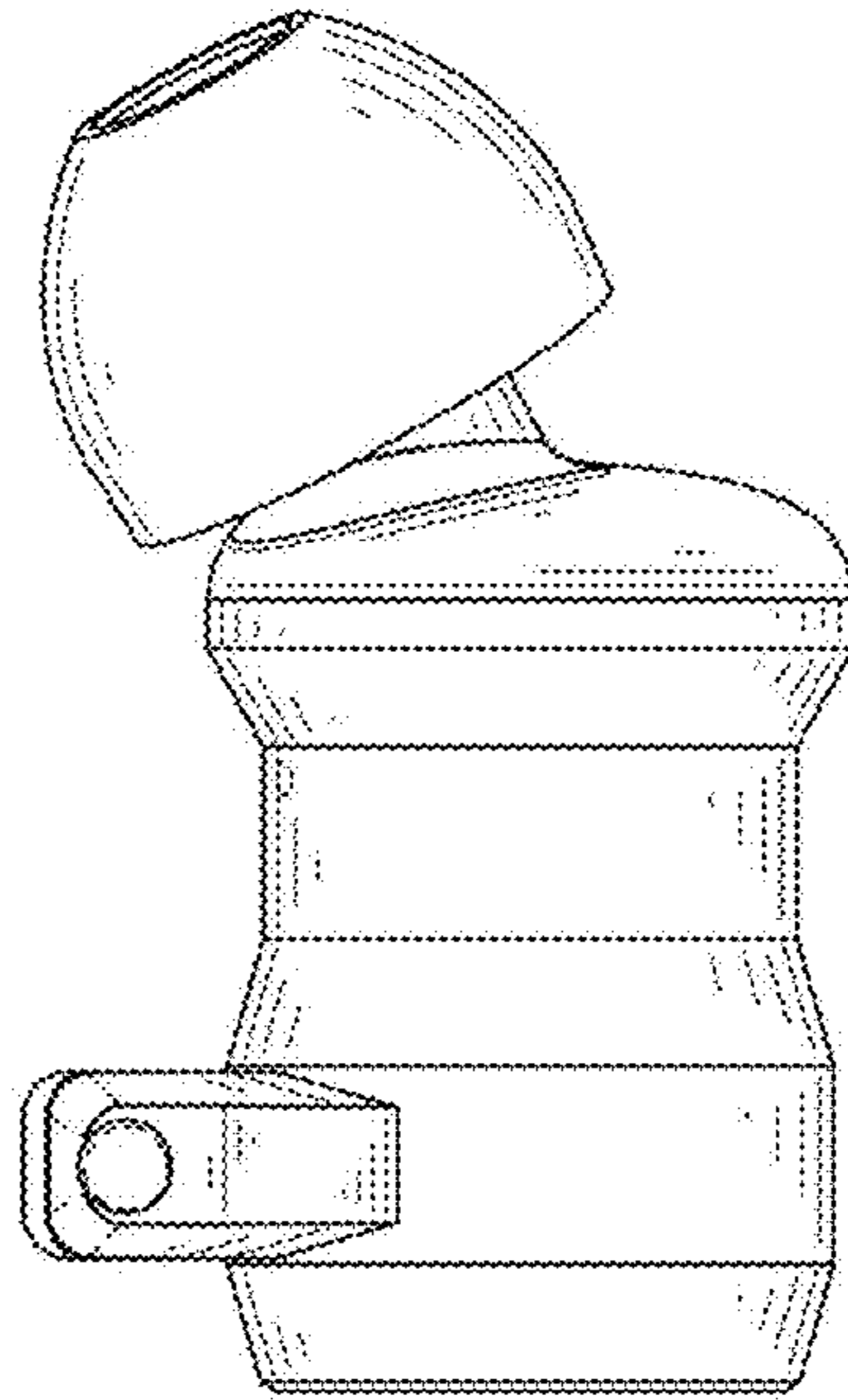


FIG. 6

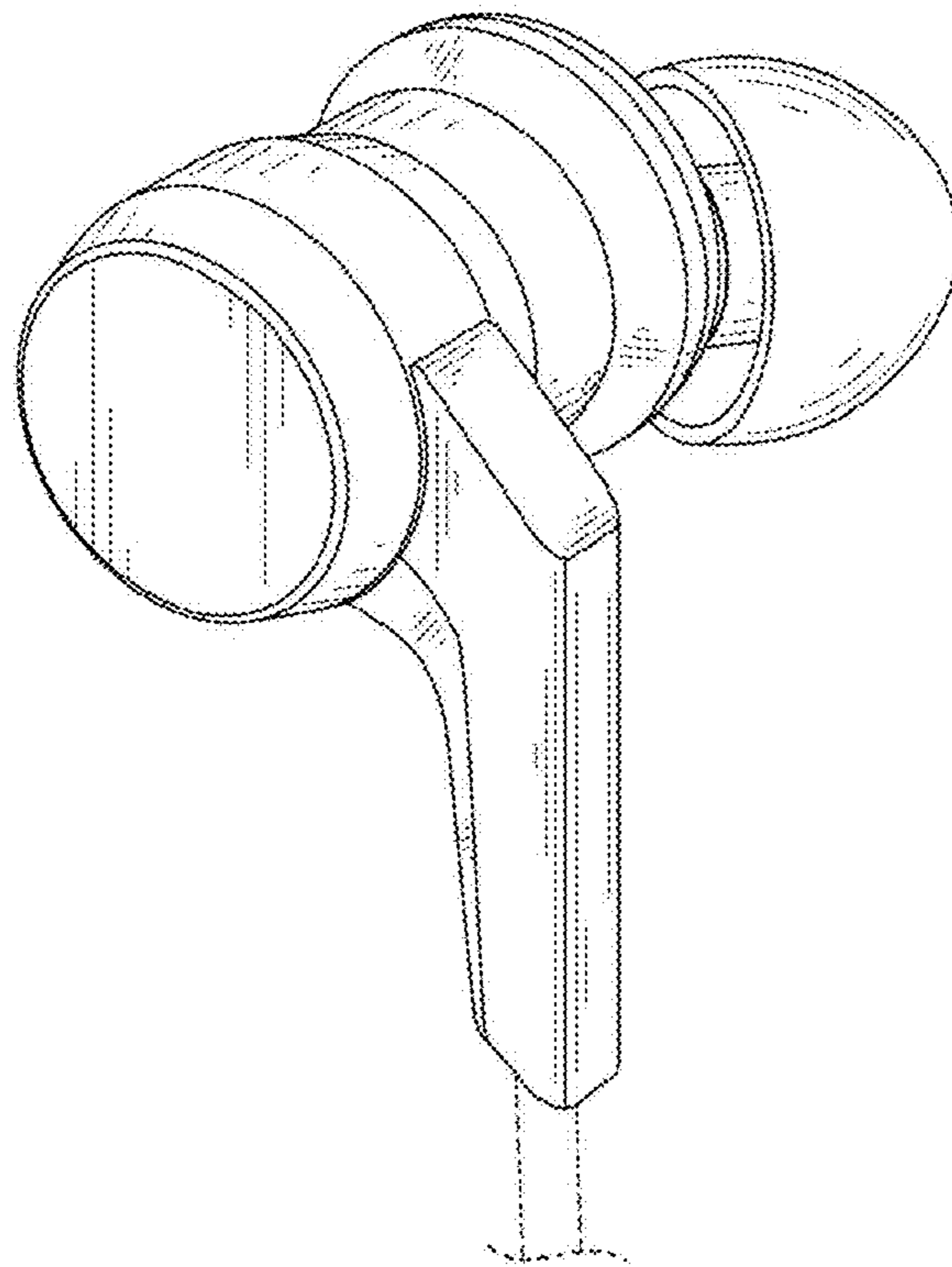


FIG. 7