



US00D838257S

(12) **United States Design Patent**  
**Manz**

(10) **Patent No.:** **US D838,257 S**  
(45) **Date of Patent:** **\*\* Jan. 15, 2019**

(54) **LOUDSPEAKER**

- (71) Applicant: **B&O PLAY A/S**, Struer (DK)
- (72) Inventor: **Cecilie Manz**, København K (DK)
- (73) Assignee: **B&O PLAY A/S**, Struer (DK)
- (\*\*) Term: **15 Years**
- (21) Appl. No.: **29/607,603**
- (22) Filed: **Jun. 14, 2017**
- (30) **Foreign Application Priority Data**

Dec. 14, 2016 (EM) ..... 003517549

(51) **LOC (11) Cl.** ..... **14-01**

(52) **U.S. Cl.**  
USPC ..... **D14/216**; D14/211

(58) **Field of Classification Search**  
 USPC ..... D14/157, 168, 172, 188, 194, 195, 196,  
 D14/197, 198, 204, 210, 211, 212, 213,  
 D14/214, 215, 216, 217, 221, 222, 223,  
 D14/224, 257, 258  
 CPC ..... B60R 11/0217; G06F 1/1688; G10K 9/22;  
 G10K 11/004; H03F 1/327; H04M 1/03;  
 H04M 1/035; H04N 5/642; H04N  
 21/4852; H04S 3/00; H04S 7/30; H04R  
 1/02; H04R 1/06; H04R 1/021; H04R  
 1/025; H04R 1/026; H04R 1/028; H04R  
 1/105; H04R 1/323; H04R 1/403; H04R  
 1/2803; H04R 1/2834; H04R 5/02; H04R  
 7/20; H04R 9/06; H04R 9/025; H04R  
 2201/021; H04R 2400/00; H04R 2400/07;  
 H04R 2499/11; H04R 2499/13; H04R  
 2499/15

See application file for complete search history.

(56) **References Cited**

**U.S. PATENT DOCUMENTS**

- D156,580 S \* 12/1949 Swibold ..... 312/7.1
- D192,637 S \* 4/1962 Judson ..... D14/243
- D211,180 S \* 5/1968 Boldt ..... D14/212
- 3,750,838 A \* 8/1973 Pyle, Jr. .... H04R 1/2811  
181/153

(Continued)

**OTHER PUBLICATIONS**

Amazon—B&O Play M5, announced Jan. 5, 2017 (date first available) [online], [site visited Feb. 1, 2018]. Available from internet, URL: <https://www.amazon.com/PLAY-Bang-Olufsen-Multiroom-Wireless/dp/B01MQWUW8M>.\*

(Continued)

*Primary Examiner* — Ian Simmons

*Assistant Examiner* — Karra S Johnson

(74) *Attorney, Agent, or Firm* — Dykema Gossett PLLC

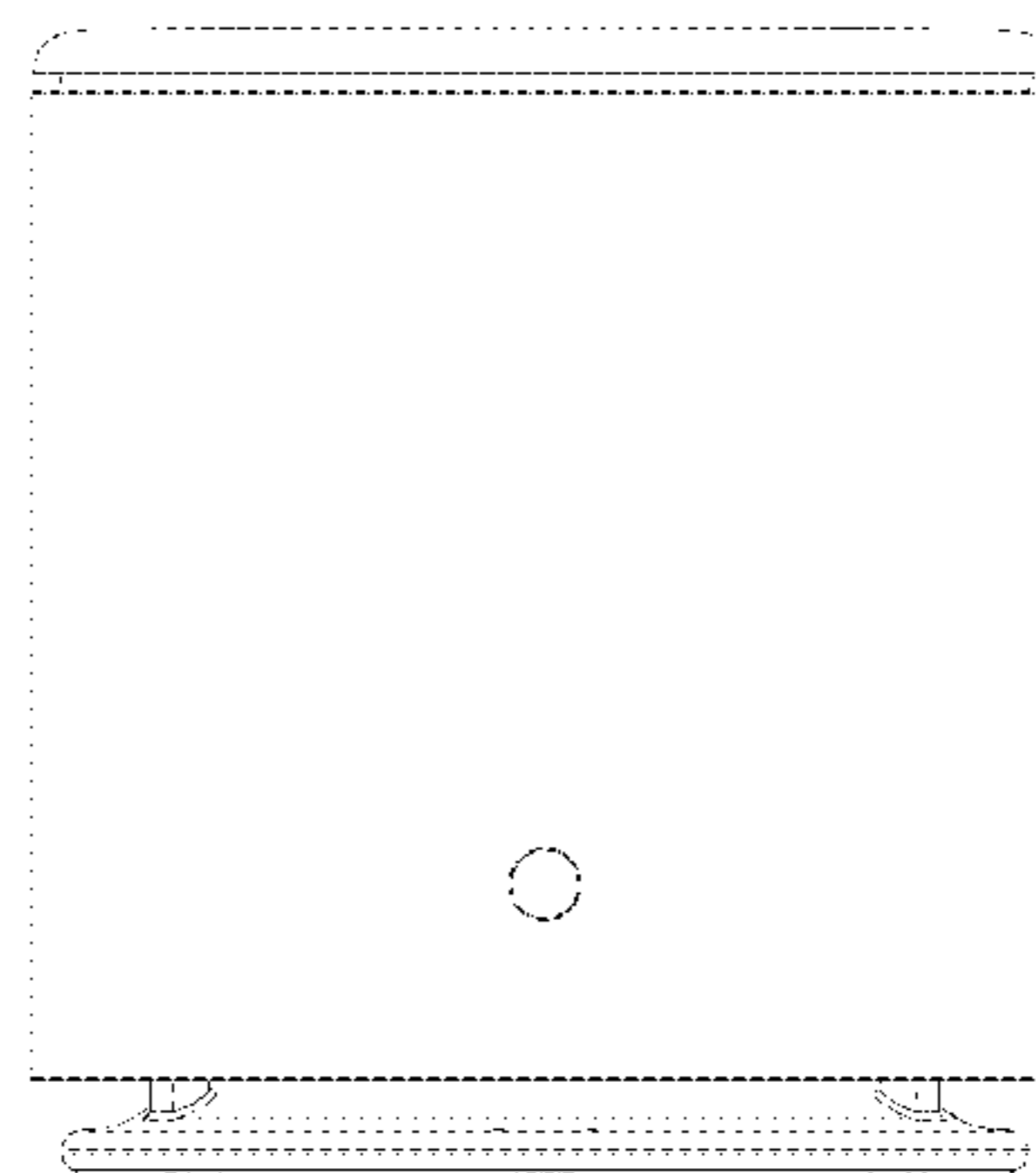
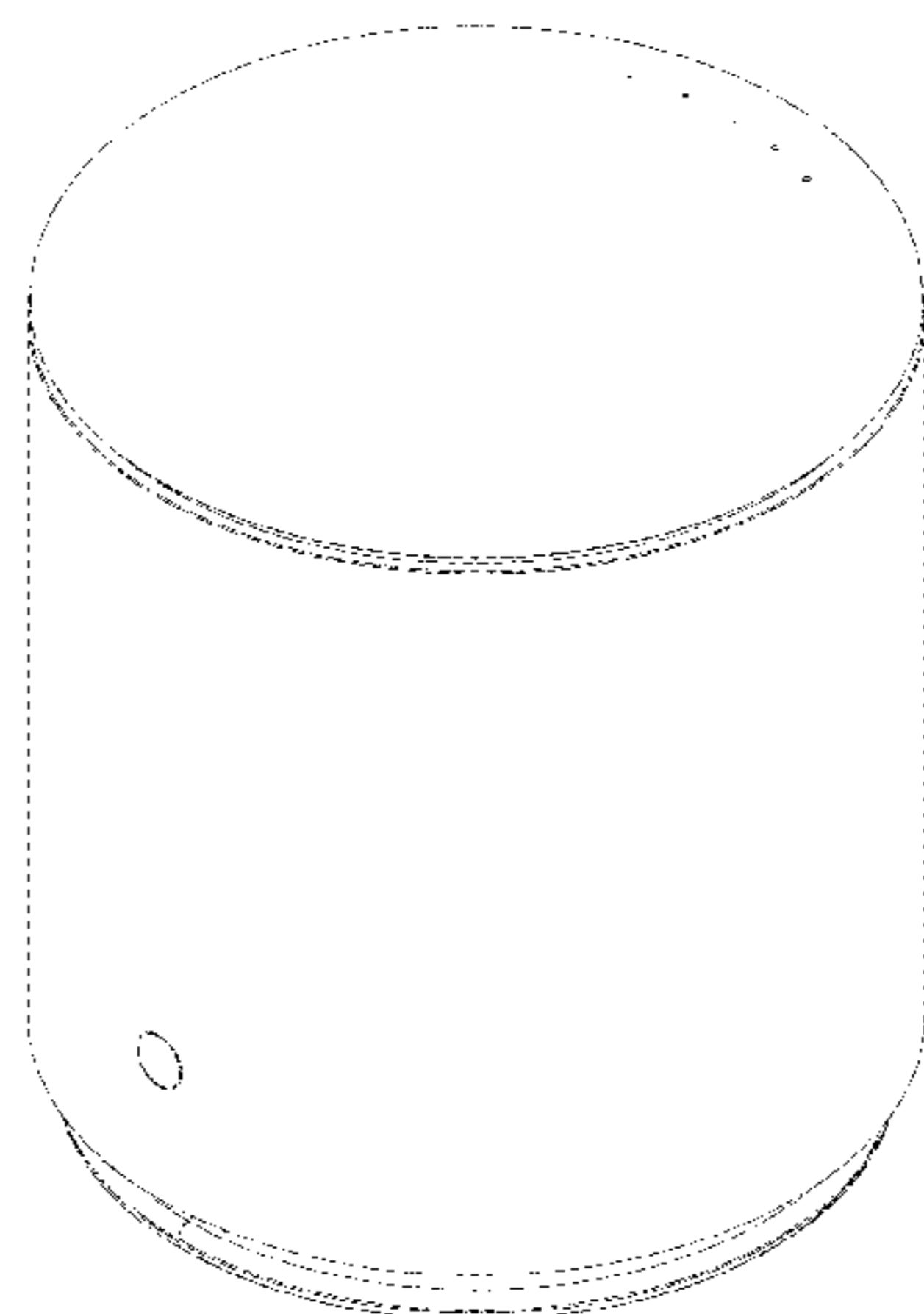
(57) **CLAIM**

The ornamental design for a loudspeaker, as shown and described.

**DESCRIPTION**

FIG. 1 is an isometric view of the top, front, and right side of a loudspeaker.  
 FIG. 2 is an isometric view of the top, rear, and left side of the loudspeaker depicted in FIG. 1.  
 FIG. 3 is a top plan view of the loudspeaker depicted in FIG. 1.  
 FIG. 4 is a front elevation view of the loudspeaker depicted in FIG. 1.  
 FIG. 5 is a right elevation view of the loudspeaker depicted in FIG. 1.  
 FIG. 6 is a left elevation view of the loudspeaker depicted in FIG. 1; and,  
 FIG. 7 is a rear elevation view of the loudspeaker depicted in FIG. 1.  
 The broken lines shown are included for the purpose of illustrating portions of the loudspeaker that form no part of the claim.

**1 Claim, 7 Drawing Sheets**



(56)

References Cited

U.S. PATENT DOCUMENTS

4,348,549 A \* 9/1982 Berlant ..... H04R 1/26  
181/152  
D288,560 S \* 3/1987 Anderson ..... D14/212  
D364,165 S \* 11/1995 Esslinger ..... D14/213  
5,721,401 A \* 2/1998 Sim ..... H04R 1/345  
181/148  
D392,407 S \* 3/1998 Johnson ..... D26/104  
D518,026 S \* 3/2006 Dayan ..... D14/215  
D518,029 S \* 3/2006 Tsang ..... D14/216  
D562,805 S \* 2/2008 Tokuno ..... D14/216  
D588,064 S \* 3/2009 Garner ..... D13/133  
D598,020 S \* 8/2009 Lu ..... D14/358  
D599,045 S \* 8/2009 Castellucci ..... D26/37  
D604,719 S \* 11/2009 Cornell ..... D14/216  
7,654,362 B2 \* 2/2010 Suzuki ..... H04R 1/345  
181/153  
D615,530 S \* 5/2010 Dobson ..... D14/216  
D648,016 S \* 11/2011 Choi ..... D23/364  
D684,078 S \* 6/2013 Clifford ..... D10/114.2  
D687,009 S \* 7/2013 Song ..... D14/155  
D691,587 S \* 10/2013 Ferber ..... D14/216  
D731,465 S \* 6/2015 Khubani ..... D14/216  
9,117,435 B2 \* 8/2015 Huang ..... G10K 11/002  
D754,310 S \* 4/2016 Norman ..... D23/355  
D761,228 S \* 7/2016 Cho ..... D14/204  
D776,087 S \* 1/2017 Powers ..... D14/207  
D781,798 S \* 3/2017 Klepper ..... D14/125  
D786,829 S \* 5/2017 Wang ..... D14/204

D791,735 S \* 7/2017 Kalyuzhny ..... D14/209.1  
D792,397 S \* 7/2017 Ma ..... D14/358  
D796,725 S \* 9/2017 Recker ..... D26/104  
D797,087 S \* 9/2017 Burton ..... D14/242  
D803,190 S \* 11/2017 Lee ..... D14/216  
D810,045 S \* 2/2018 Kim ..... D14/204  
D810,049 S \* 2/2018 Lee ..... D14/216  
D813,213 S \* 3/2018 Honda ..... D14/240  
D816,053 S \* 4/2018 Pallakoff ..... D14/137  
D818,098 S \* 5/2018 Cho ..... D23/364  
D818,099 S \* 5/2018 Cho ..... D23/364  
D819,596 S \* 6/2018 Sun ..... D14/211  
D820,802 S \* 6/2018 Hamann ..... D14/149  
D823,833 S \* 7/2018 Shiono ..... D14/216  
2017/0332166 A1 \* 11/2017 Kikuchi ..... H04R 1/24  
2017/0359657 A1 \* 12/2017 Bushko ..... B32B 38/18  
2018/0192199 A1 \* 7/2018 Sears ..... H04R 7/24

OTHER PUBLICATIONS

Independent—10 best speakers, announced Jun. 28, 2017 [online], [site visited Feb. 1, 2018]. Available from internet, URL: <<http://www.independent.co.uk/extras/indybest/gadgets-tech/audio/best-bluetooth-speakers-for-home-under-50-100-200-uk-8215700.html>>.\*  
Slash Gear—Samsung speakers, announced Aug. 26, 2015 [online], [site visited Feb. 1, 2018]. Available from internet, URL: <<https://www.slashgear.com/samsung-outs-r1-r3-r5-wireless-audio-360-speakers-26399326/>>.\*

\* cited by examiner

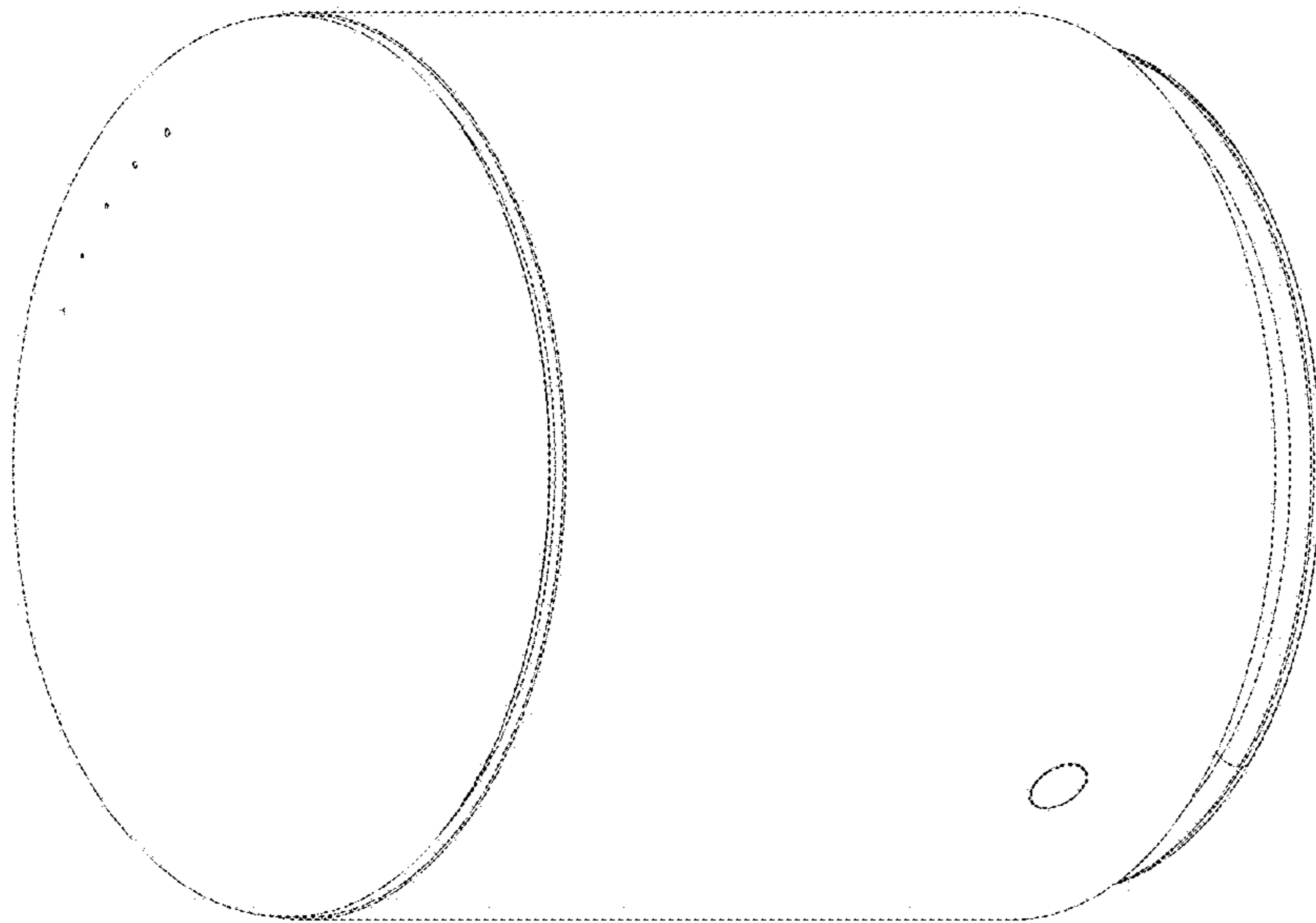


FIG. 1

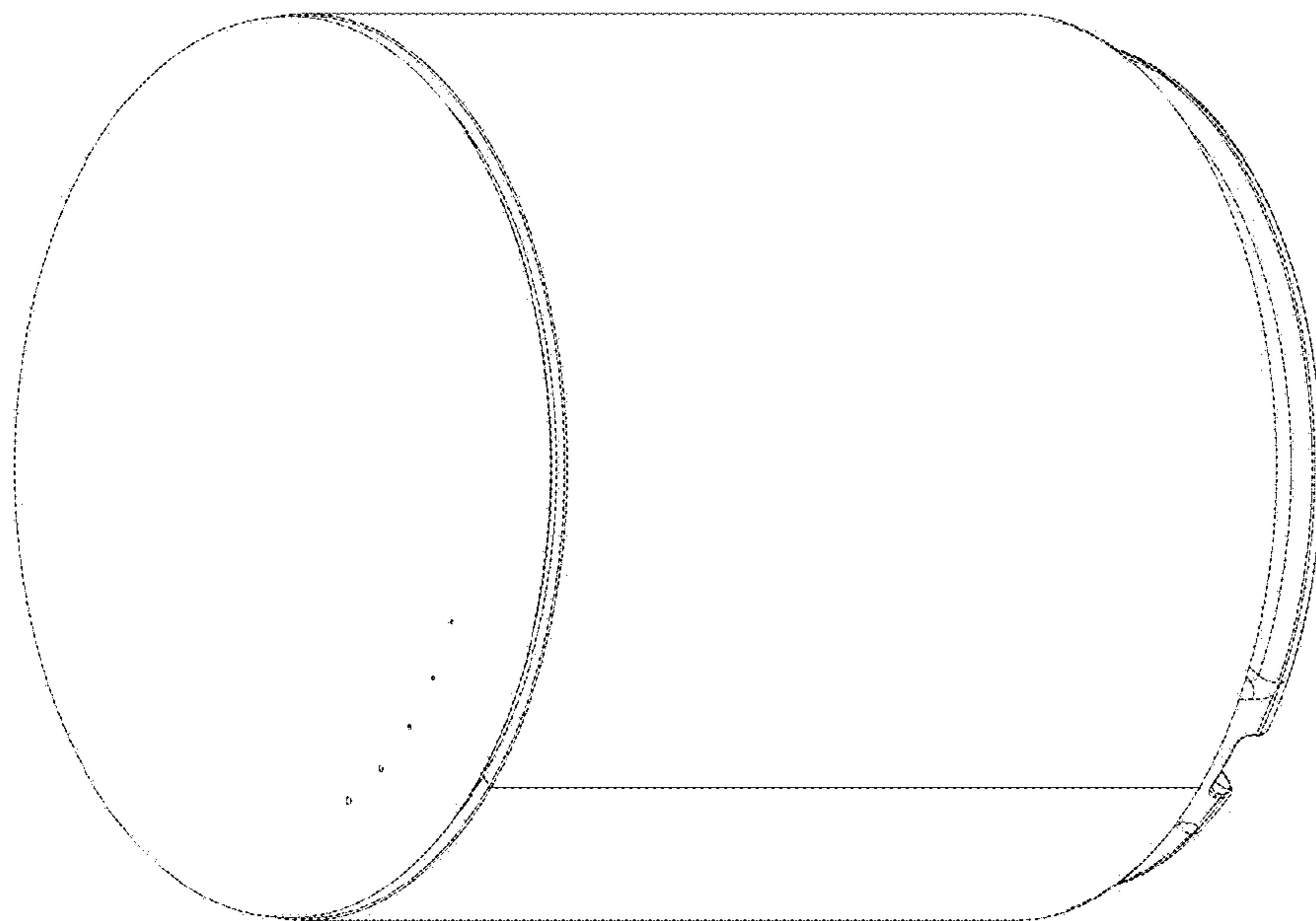


FIG. 2

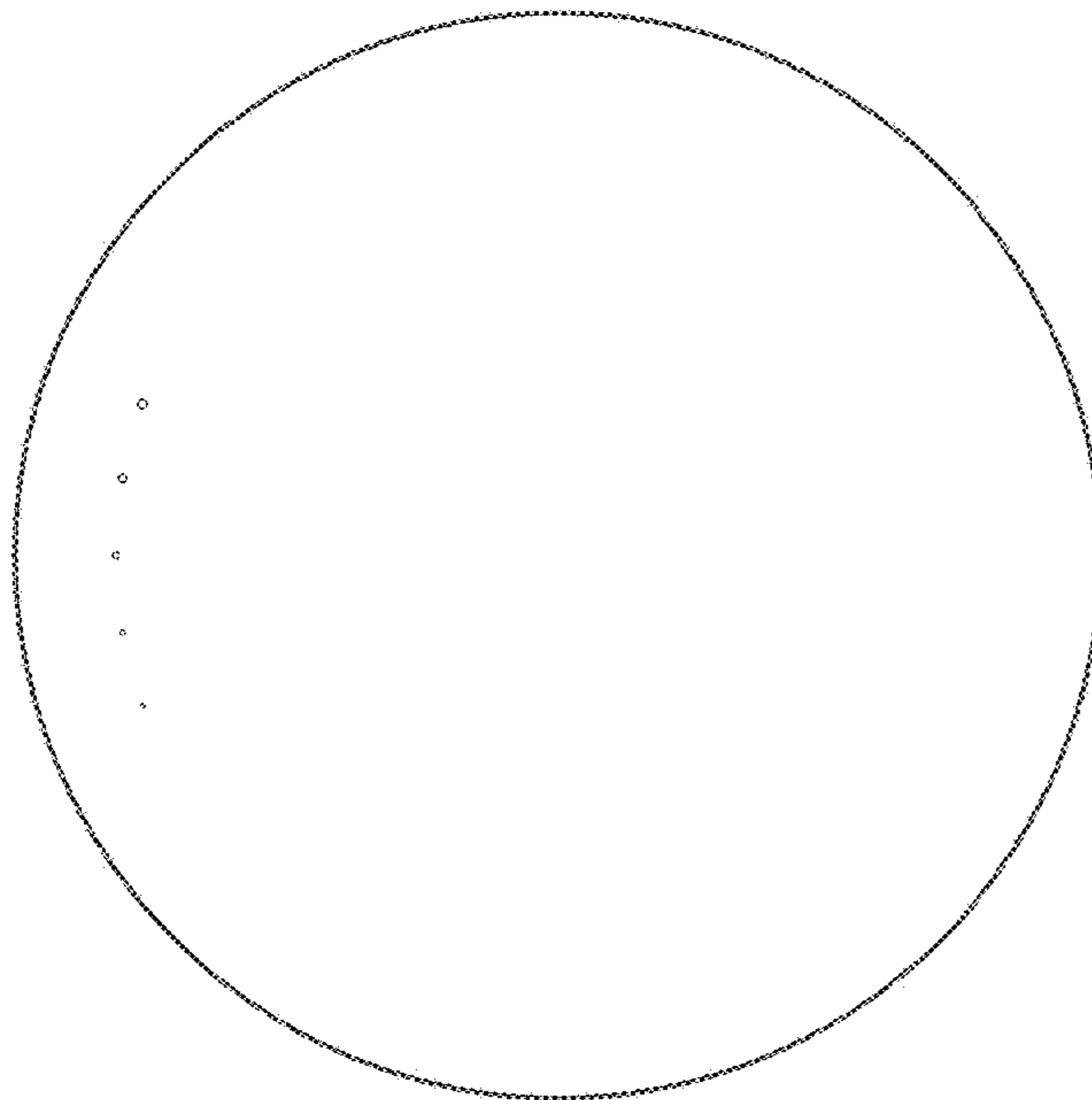


FIG. 3

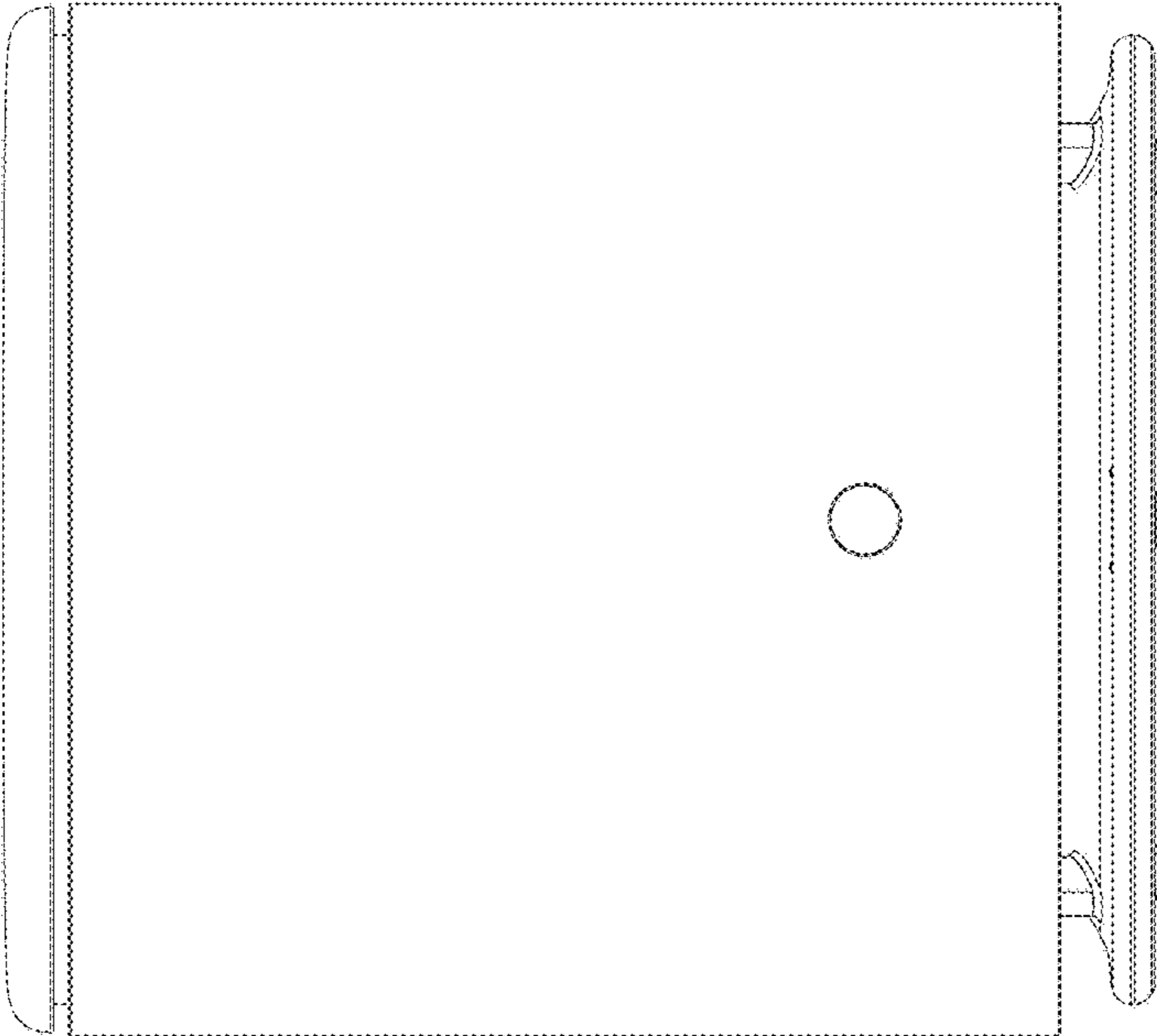


FIG. 4

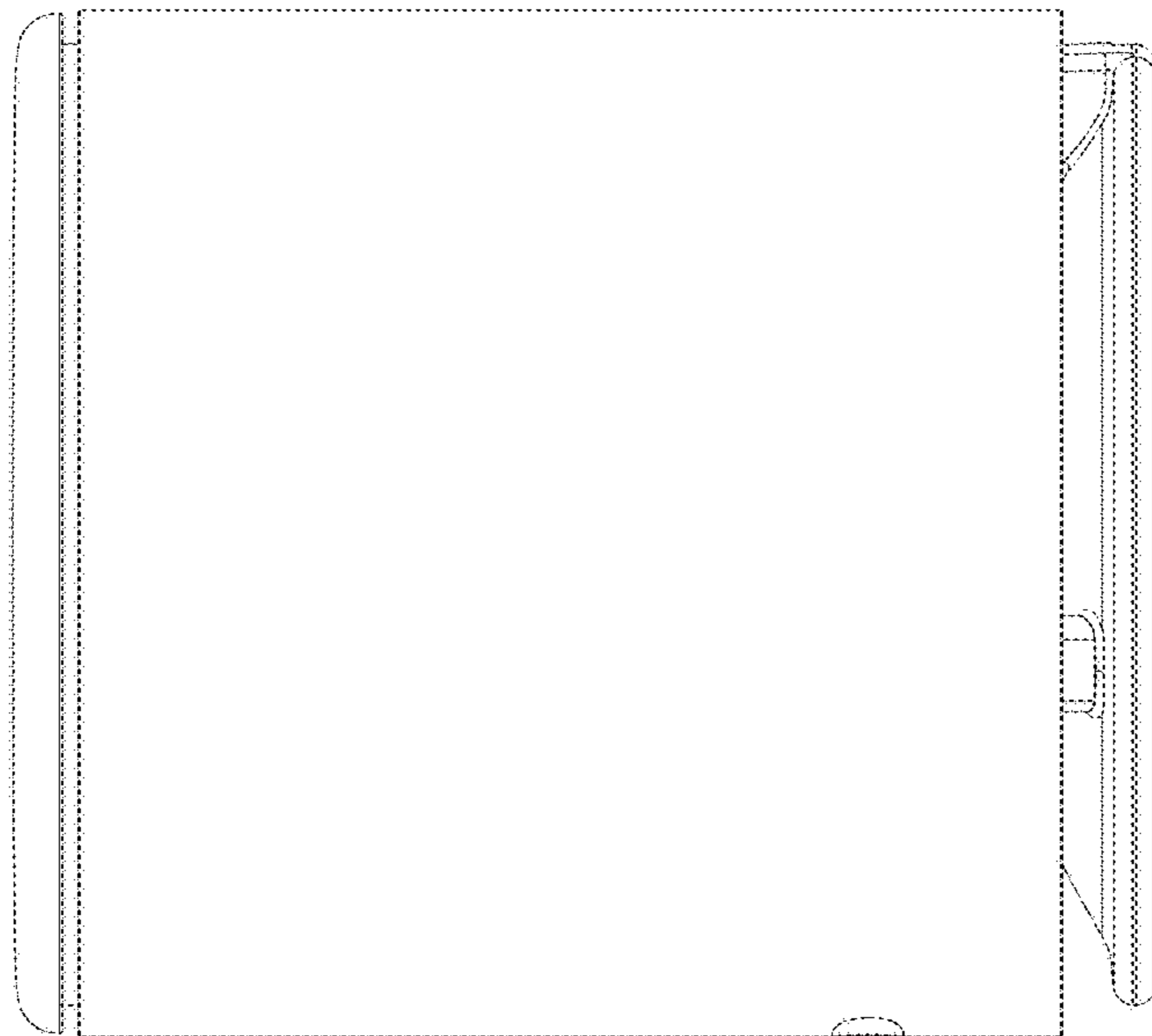


FIG. 5

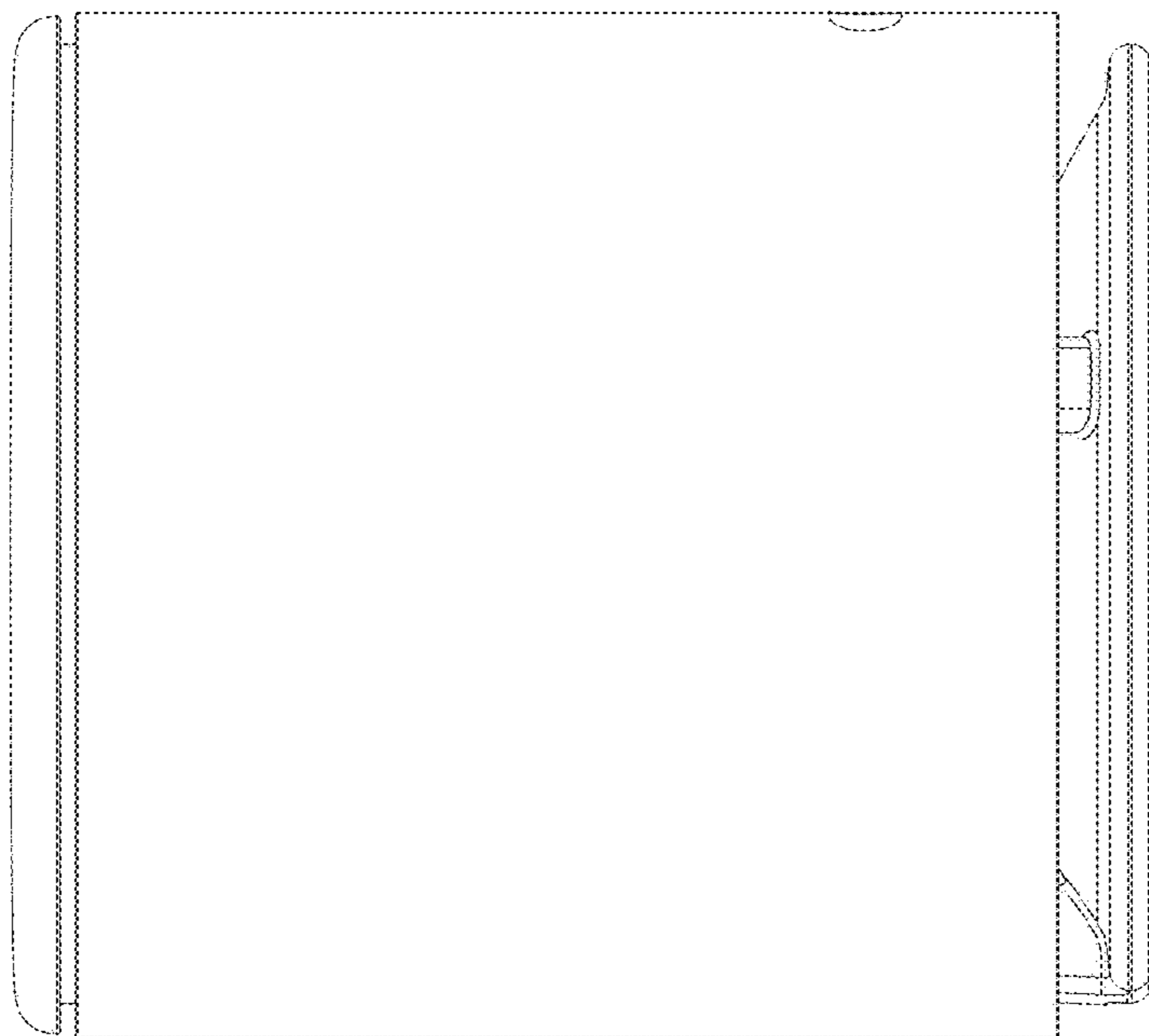


FIG. 6



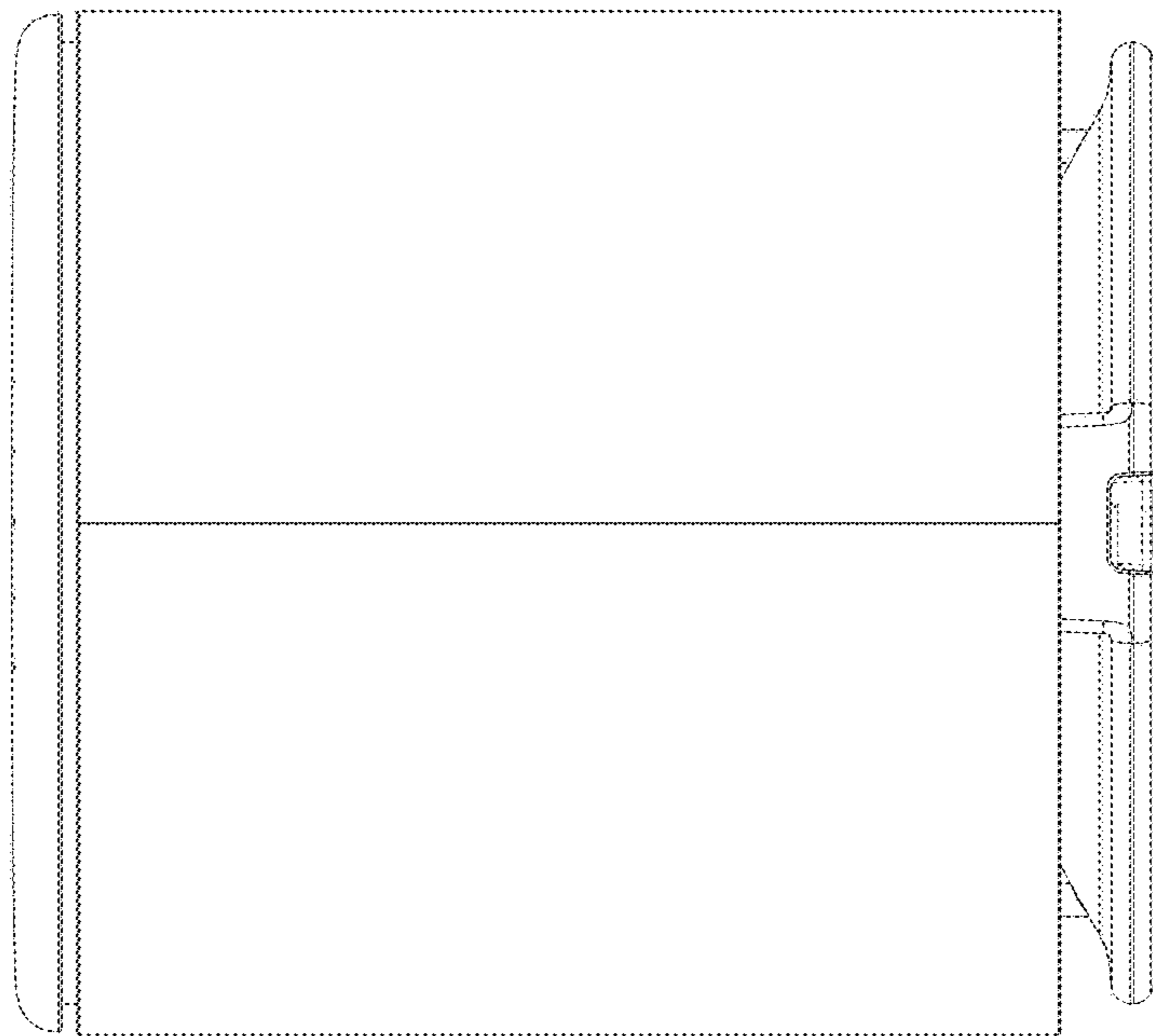


FIG. 7