



US00D838256S

(12) **United States Design Patent**
Wang et al.

(10) **Patent No.:** **US D838,256 S**
(45) **Date of Patent:** **** Jan. 15, 2019**

(54) **HEADPHONES**

(71) Applicant: **Underwater Audio LLC**, Corvallis, OR (US)

(72) Inventors: **Pei Wang**, Shenzhen (CN); **Emily Lacy-Nichols**, Corvallis, OR (US)

(**) Term: **15 Years**

(21) Appl. No.: **29/612,032**

(22) Filed: **Jul. 27, 2017**

(51) **LOC (11) Cl.** **14-01**

(52) **U.S. Cl.**
USPC **D14/205**

(58) **Field of Classification Search**
USPC D14/205, 206, 188, 192; D24/106, 174; 181/129, 130, 135; 379/430, 431; 381/380, 381, 74, 374, 378; 455/90.3, 455/575.1, 569.1
CPC H04R 1/1066; H04R 1/1016; H04R 25/00; H04R 1/105; H04R 5/033; H04R 5/0335; H04R 1/1091; H04R 1/1058; H04R 25/02; H04R 1/10
See application file for complete search history.

(56) **References Cited**

U.S. PATENT DOCUMENTS

2,641,327	A *	6/1953	Balmer	H04R 1/105 181/129
D254,910	S *	5/1980	Lung	D14/168
4,291,203	A *	9/1981	Bellafore	H04R 25/604 381/327
4,456,795	A *	6/1984	Saito	G06F 3/023 381/317
4,821,318	A *	4/1989	Wu	H04M 1/05 379/430
D315,561	S *	3/1991	Miller	D14/192
D321,879	S *	11/1991	Emmerling	D14/188
D342,947	S *	1/1994	Totsuka	D14/192
D344,523	S *	2/1994	Kanno	D14/192

D371,133	S *	6/1996	Andrea	D14/206
D394,436	S *	5/1998	Hall	D14/206
5,829,062	A *	11/1998	Magidson	A61F 11/12 2/209
D420,007	S *	2/2000	Marshall	D14/206
6,105,714	A *	8/2000	Lindgren	A61F 11/08 181/126
D524,297	S *	7/2006	Lee	D14/218
D532,111	S *	11/2006	Espersen	D24/174
D549,215	S *	8/2007	Lee	D14/206

(Continued)

Primary Examiner — Paula Allen Greene

(74) *Attorney, Agent, or Firm* — David E. Novak;
Brannon Sowers & Cracraft PC

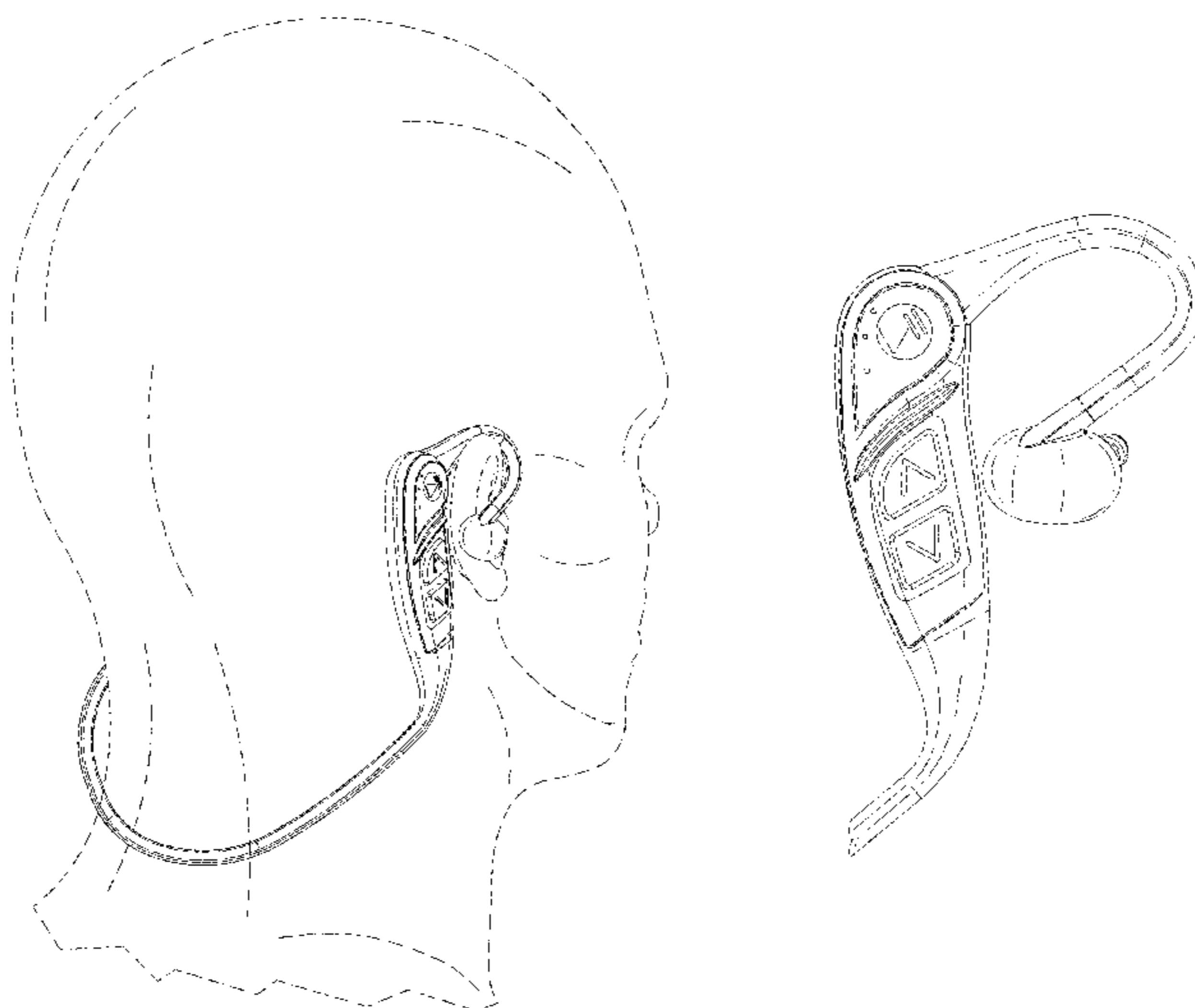
(57) **CLAIM**

The ornamental design for headphones, as shown and described.

DESCRIPTION

FIG. 1 is a rear right side perspective view of headphones showing my new design;
 FIG. 2 is a right side view thereof;
 FIG. 3 is a left side view thereof;
 FIG. 4 is a rear view shown separately for the purposes of illustration;
 FIG. 5 is a side view thereof;
 FIG. 6 is a front view thereof;
 FIG. 7 is an inside view thereof;
 FIG. 8 is a bottom view thereof;
 FIG. 9 is a top view thereof;
 FIG. 10 is a side view thereof;
 FIG. 11 is a rear view thereof;
 FIG. 12 is an inside view thereof;
 FIG. 13 is a front view thereof;
 FIG. 14 is a top view thereof; and,
 FIG. 15 is a bottom view thereof.
 The broken lines depict environment that forms no part of the claimed design.

1 Claim, 9 Drawing Sheets



(56)

References Cited

U.S. PATENT DOCUMENTS

D550,202 S * 9/2007 Meier D14/206
 D567,801 S * 4/2008 Trappler D14/218
 D572,234 S * 7/2008 Reda D14/205
 D579,442 S * 10/2008 Kim D14/205
 D583,800 S * 12/2008 Jaakkola D14/205
 D593,067 S * 5/2009 Millora D14/205
 D604,269 S * 11/2009 Choe D14/205
 D605,171 S * 12/2009 Gal D14/205
 D614,166 S * 4/2010 Brickstad D14/205
 D614,604 S * 4/2010 Hoehn D14/218
 D617,308 S * 6/2010 Nousiainen D14/205
 D619,561 S * 7/2010 Yang D14/205
 D630,186 S * 1/2011 Yang D14/205
 D658,157 S * 4/2012 McManigal D14/205
 D662,913 S * 7/2012 Birger D14/206
 D663,714 S * 7/2012 Kang D14/205
 D678,242 S * 3/2013 Von Euler D14/205
 D678,858 S * 3/2013 Feng D14/205
 D695,719 S * 12/2013 Burgett D14/223
 D707,199 S * 6/2014 Ceyress H04R 1/10
 D717,765 S * 11/2014 Rausch D14/205
 D723,510 S * 3/2015 Ishikura D14/205
 D740,785 S * 10/2015 Chen D14/205
 D771,587 S * 11/2016 Iwane D14/205

D775,610 S * 1/2017 Nakajima D14/223
 D778,257 S * 2/2017 Hu D14/205
 D782,996 S * 4/2017 Zhu D14/205
 D790,501 S * 6/2017 Wang D14/205
 9,686,603 B2 * 6/2017 Zheng H04R 1/1008
 D791,100 S * 7/2017 Chen D14/205
 D802,558 S * 11/2017 Kim D14/205
 D806,673 S * 1/2018 Mizrahi D14/205
 D810,719 S * 2/2018 Nagamine D14/205
 D823,279 S * 7/2018 Chen D14/205
 2007/0003093 A1 * 1/2007 Ito H04R 1/1066
 381/378
 2007/0104333 A1 * 5/2007 Kuo H04R 1/1025
 381/74
 2009/0274335 A1 * 11/2009 Cheung H04R 5/0335
 381/374
 2011/0170702 A1 * 7/2011 Bays H04R 5/0335
 381/74
 2013/0329903 A1 * 12/2013 Ting H04R 1/105
 381/74
 2014/0119555 A1 * 5/2014 Lu H04R 25/554
 381/74
 2014/0185837 A1 * 7/2014 Kunimoto H04R 1/1075
 381/151
 2016/0050487 A1 * 2/2016 Kim H04R 1/323
 381/74
 2017/0070801 A1 * 3/2017 Nguyen H04R 1/105

* cited by examiner

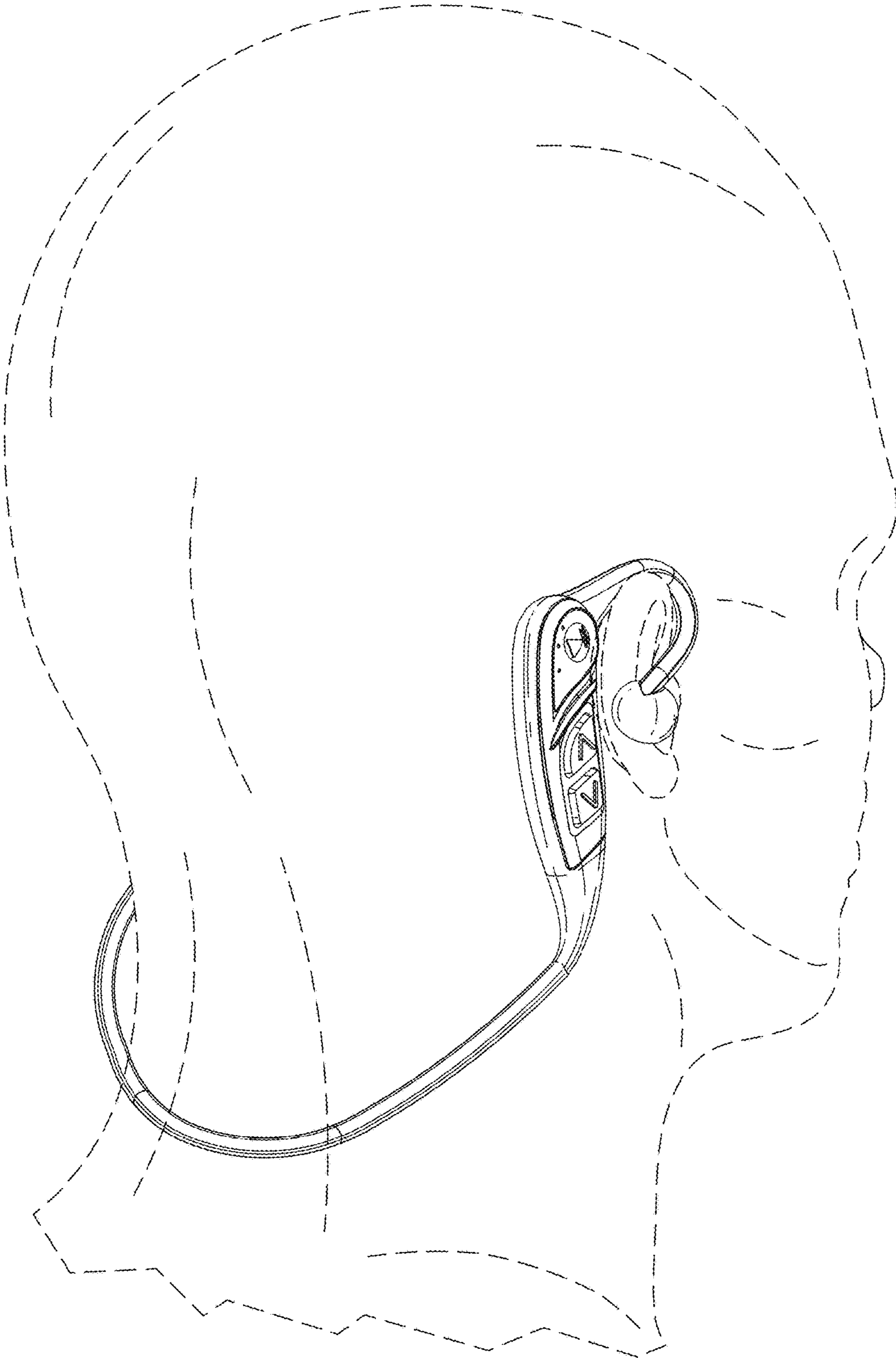


Fig. 1

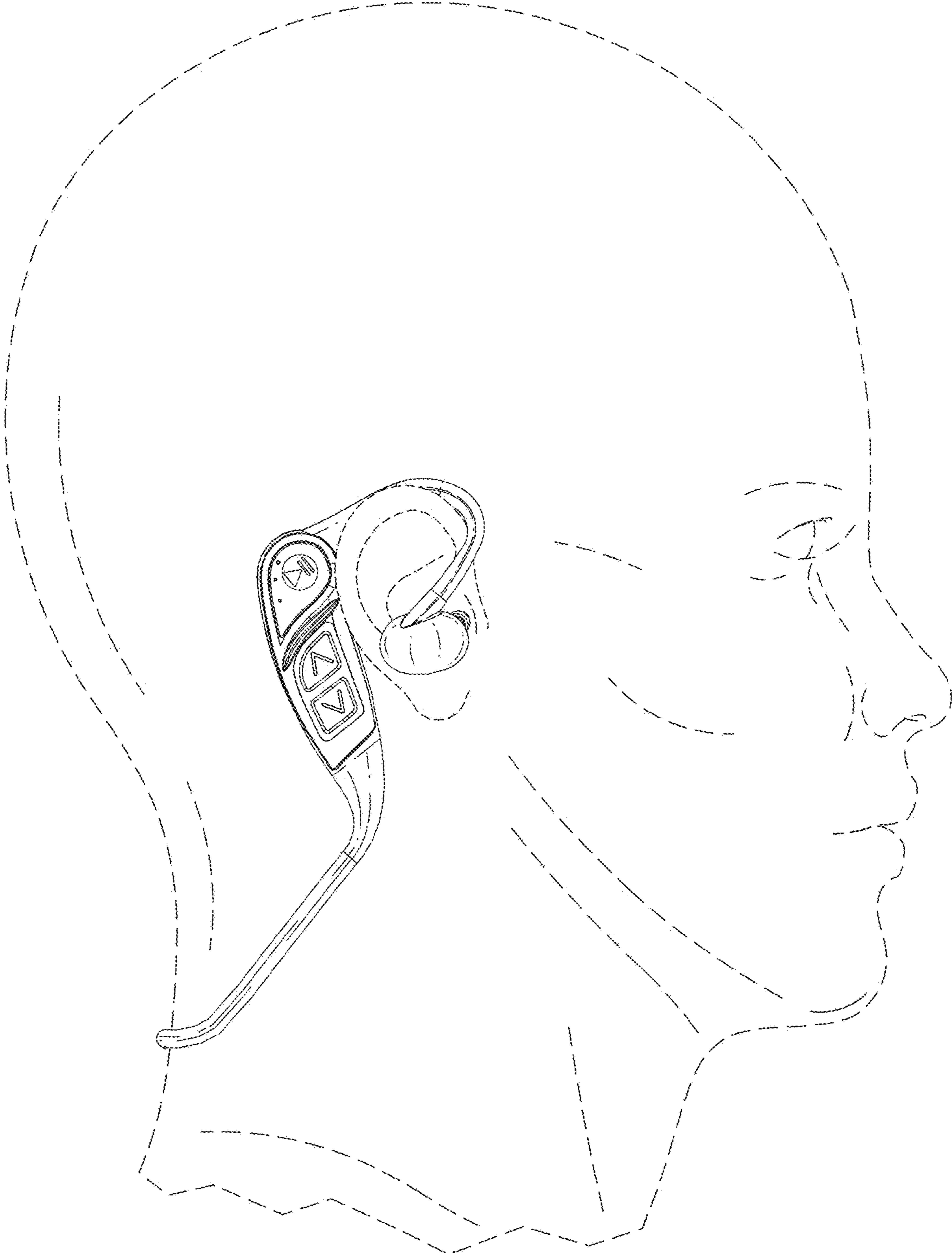


Fig. 2

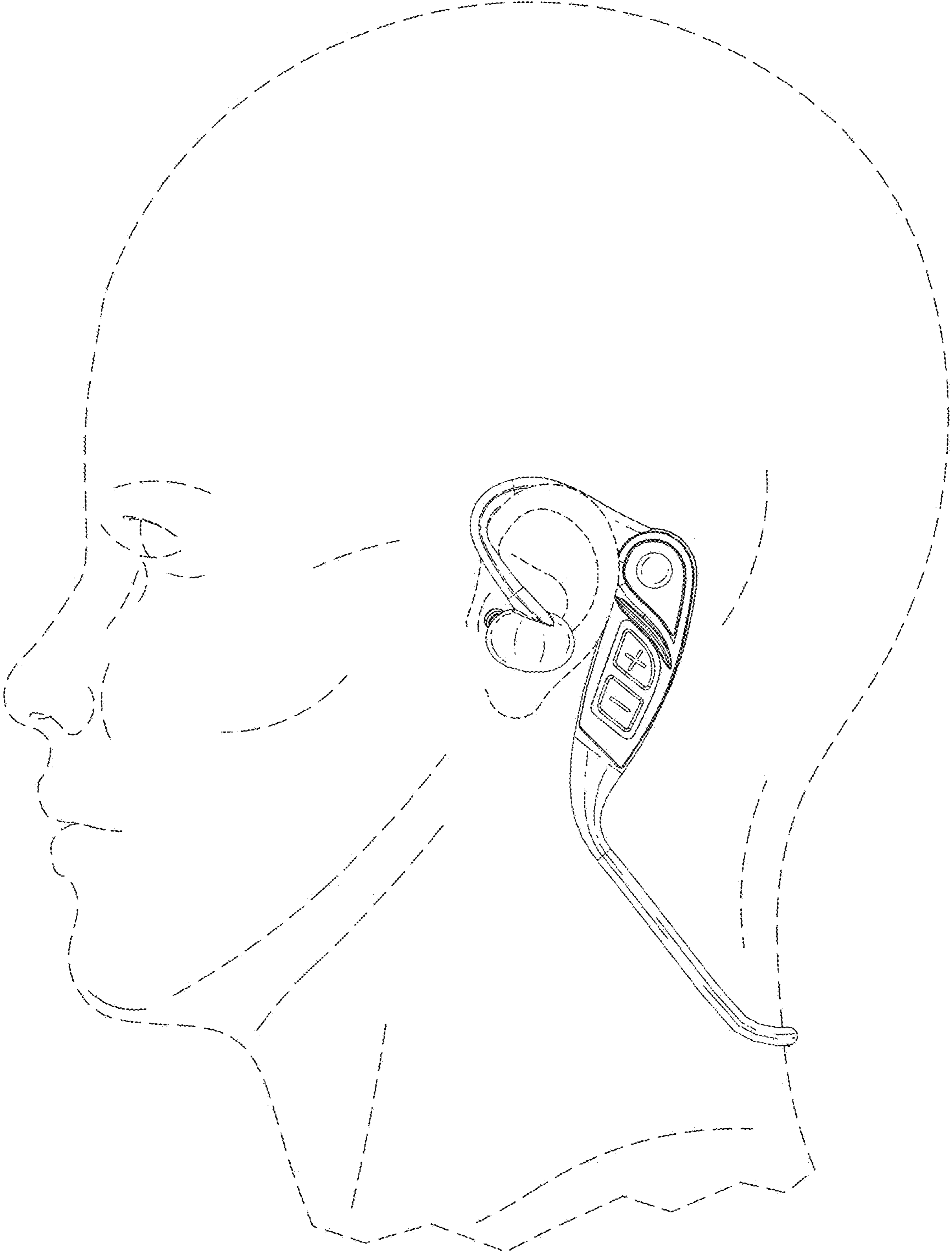


Fig. 3

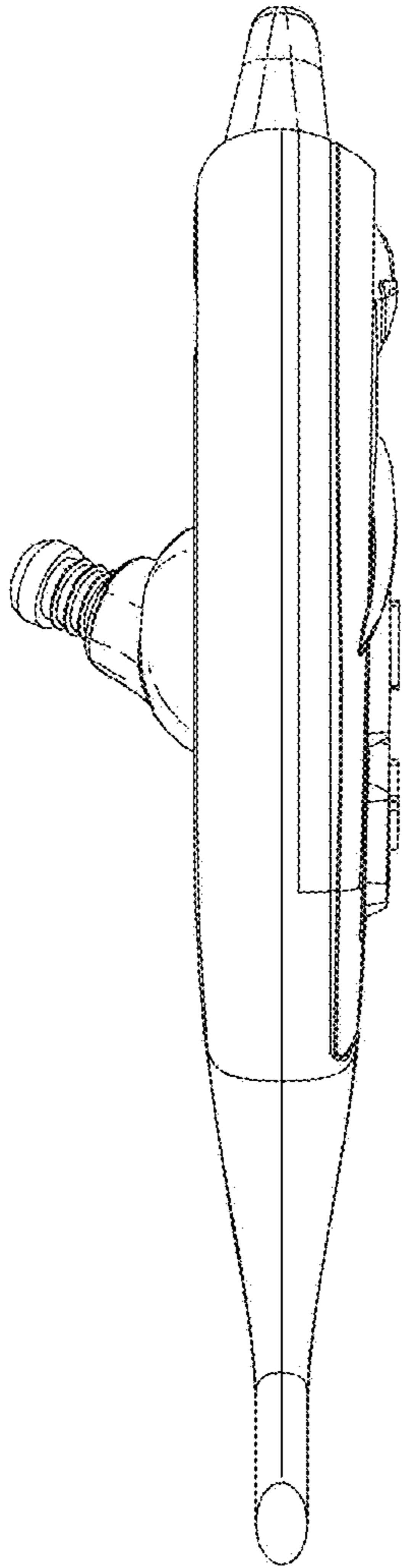


Fig. 4

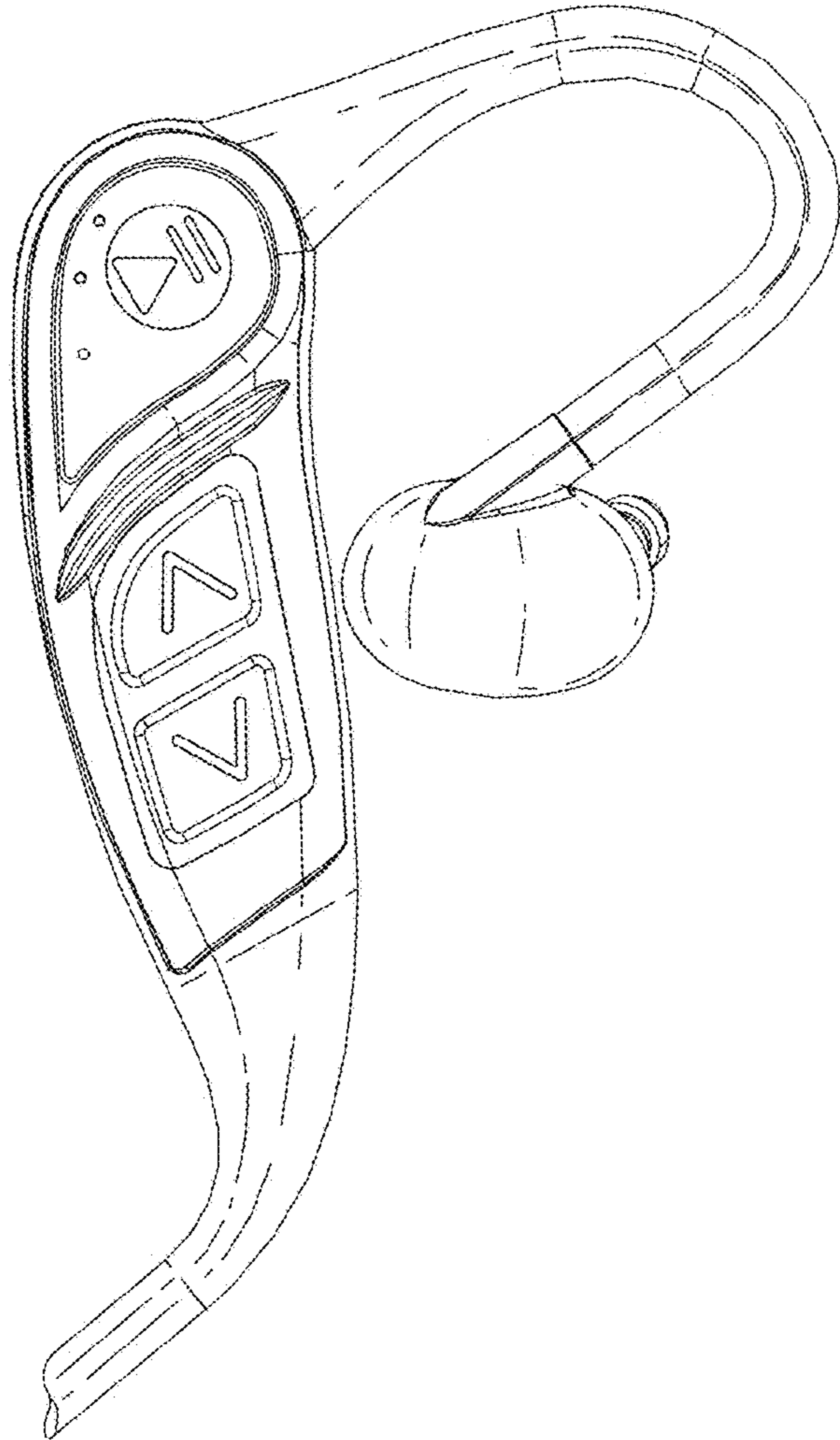


Fig. 5

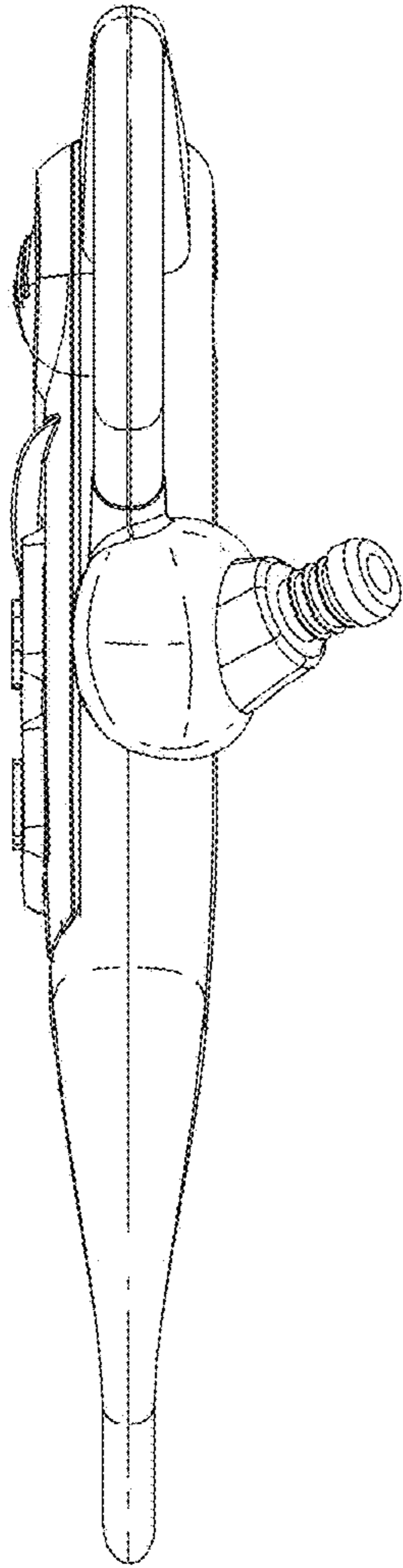


Fig. 6

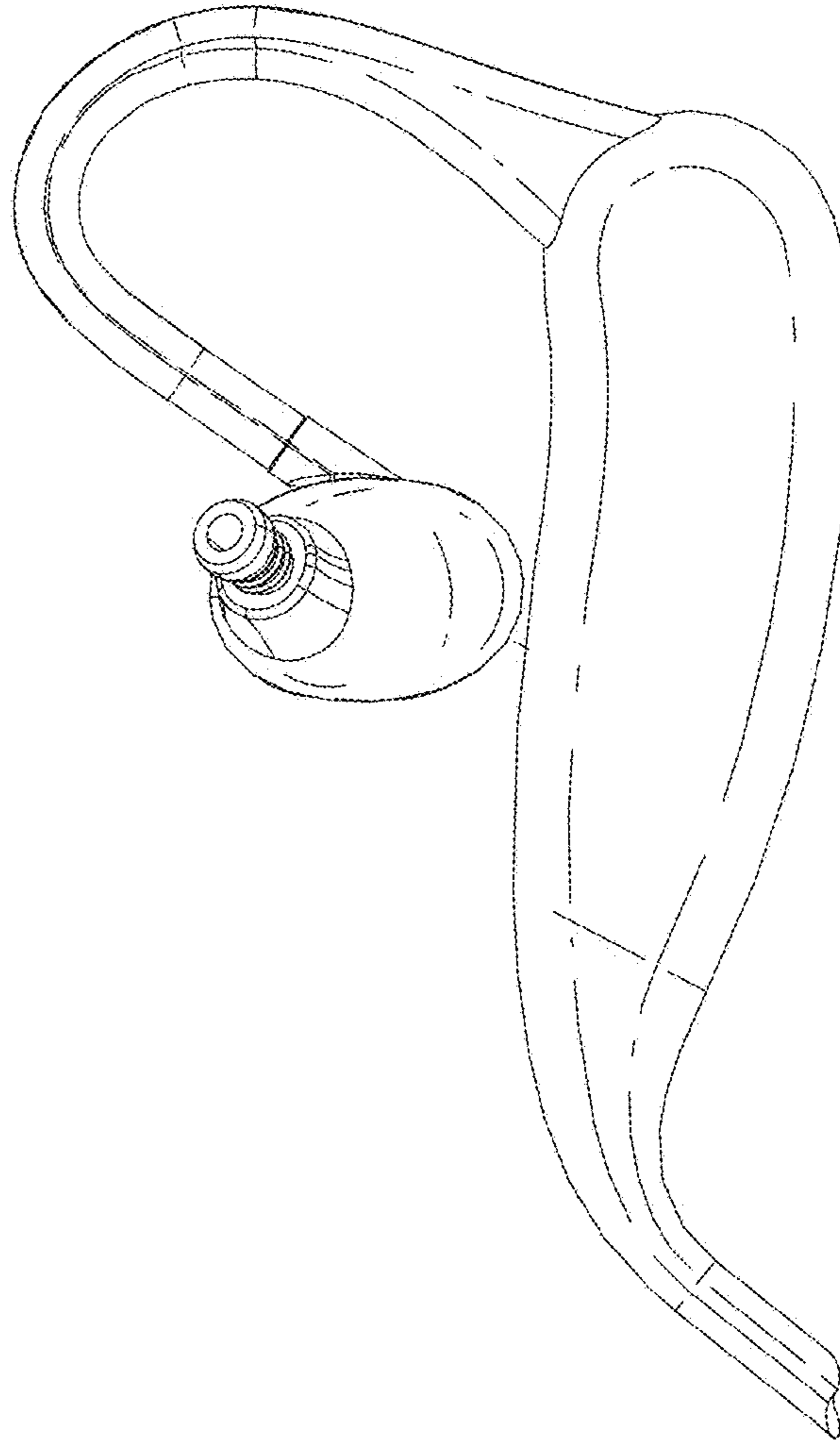


Fig. 7

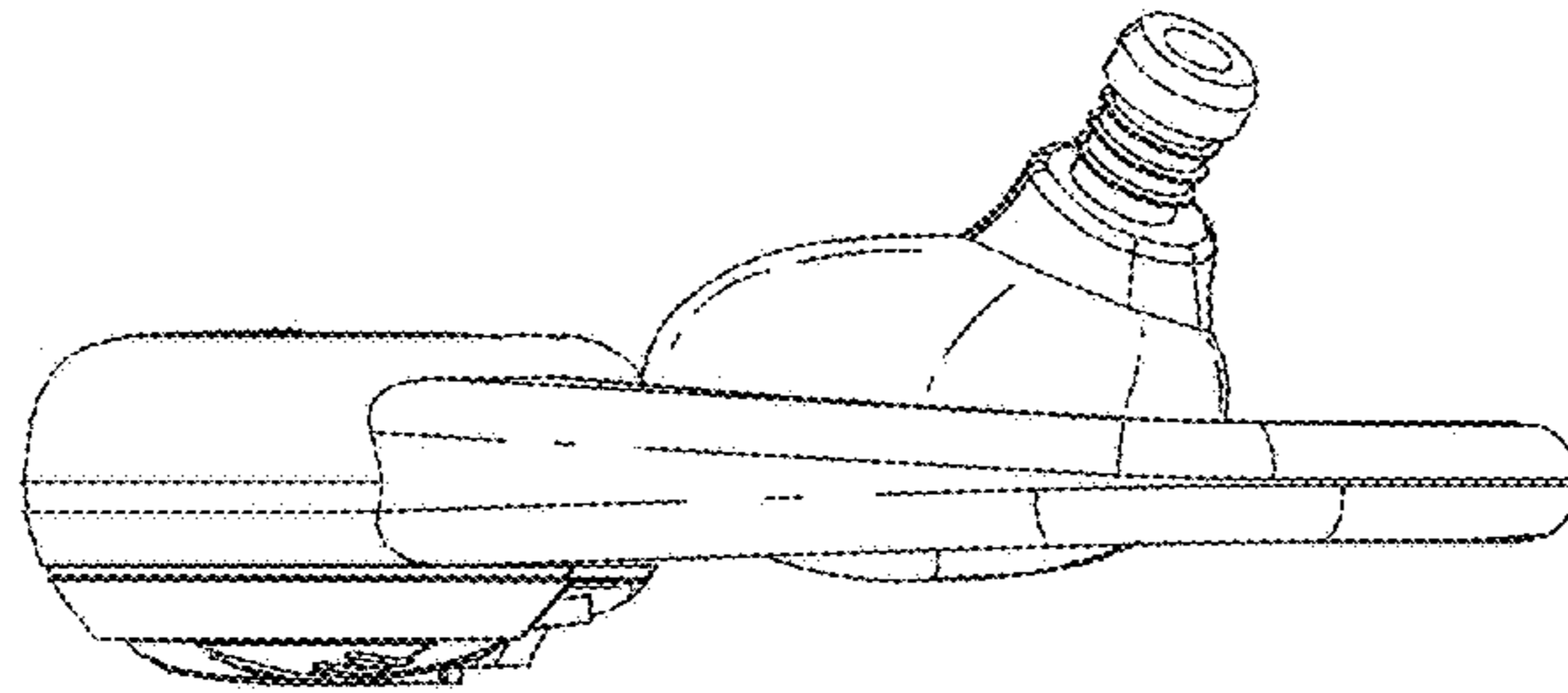


Fig. 8

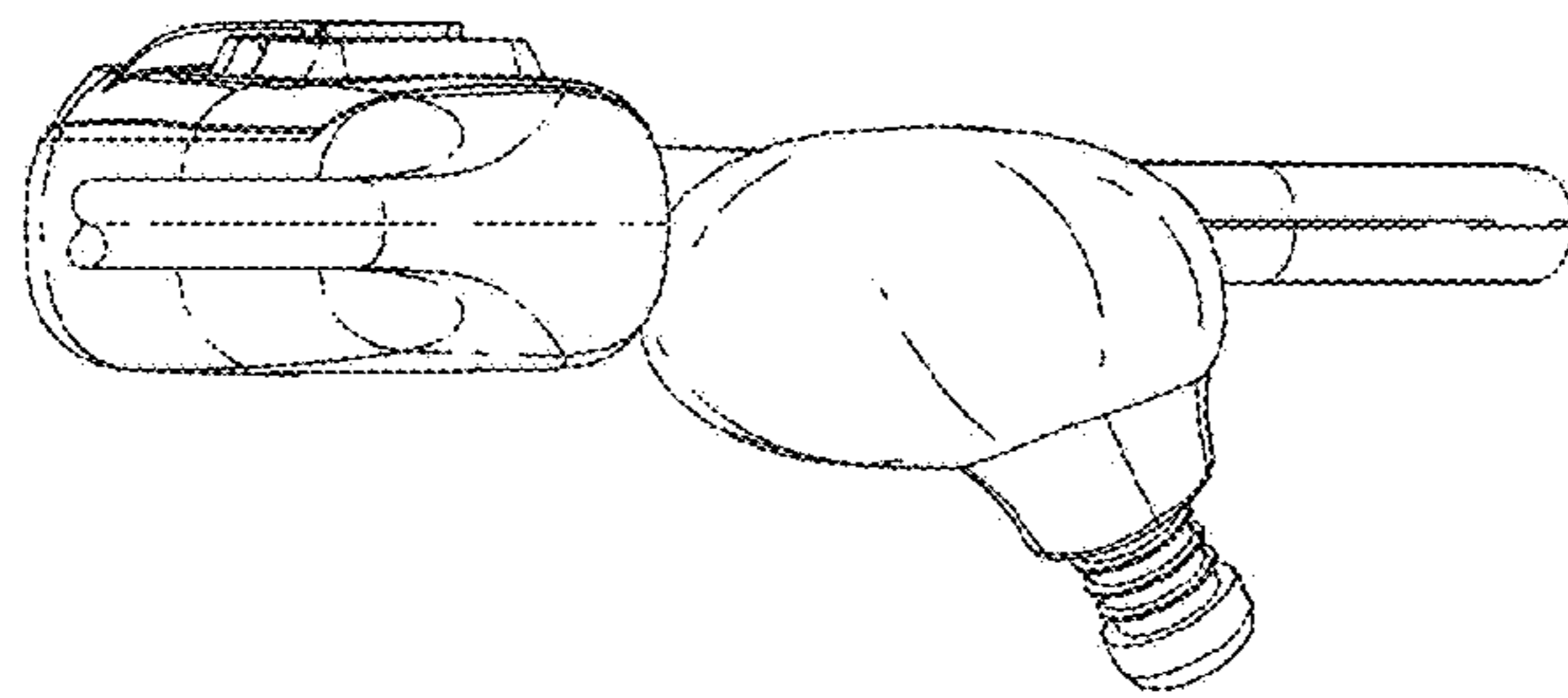


Fig. 9

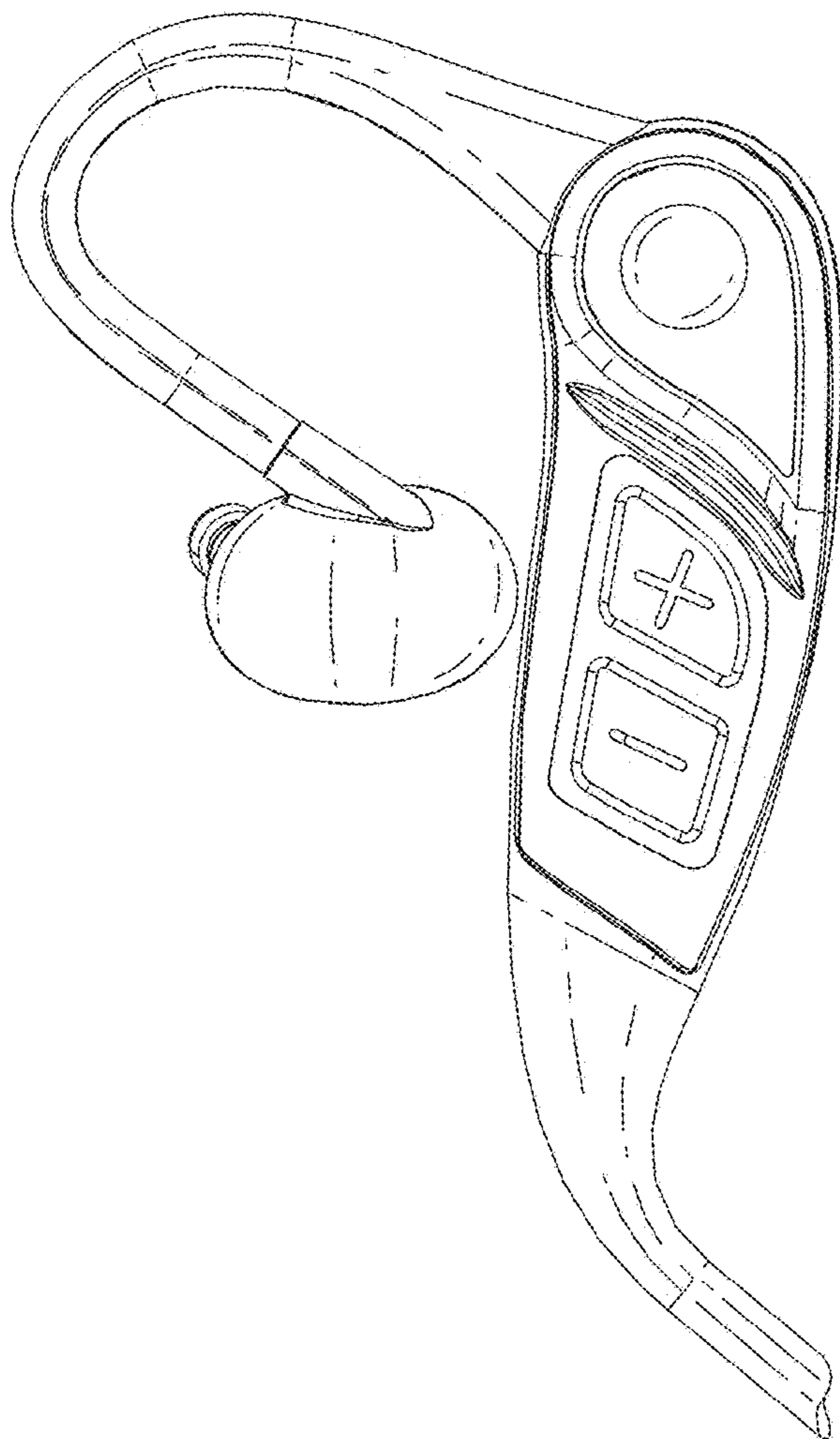


Fig. 10

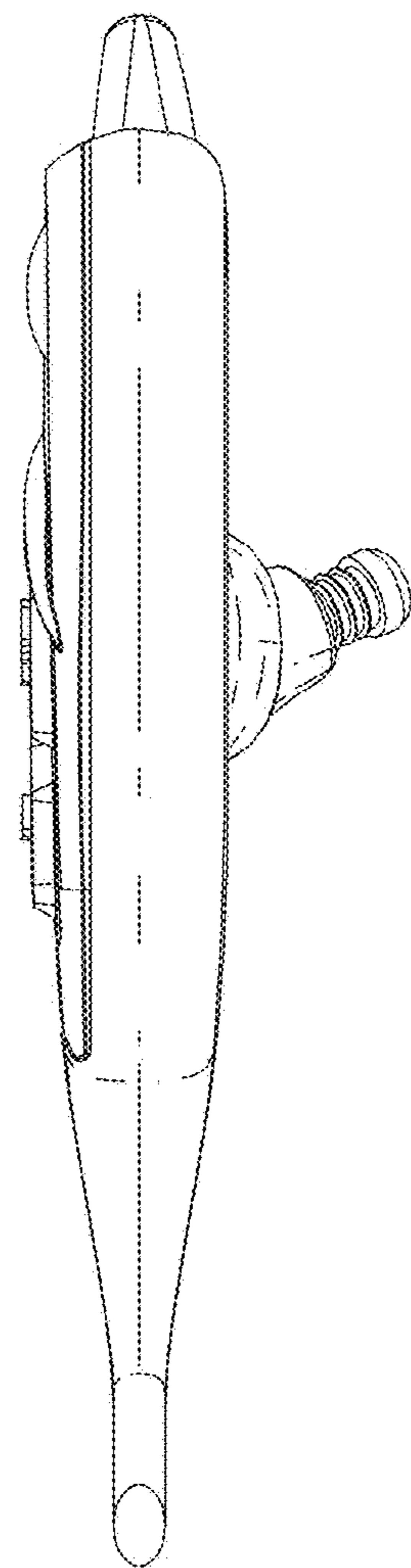


Fig. 11

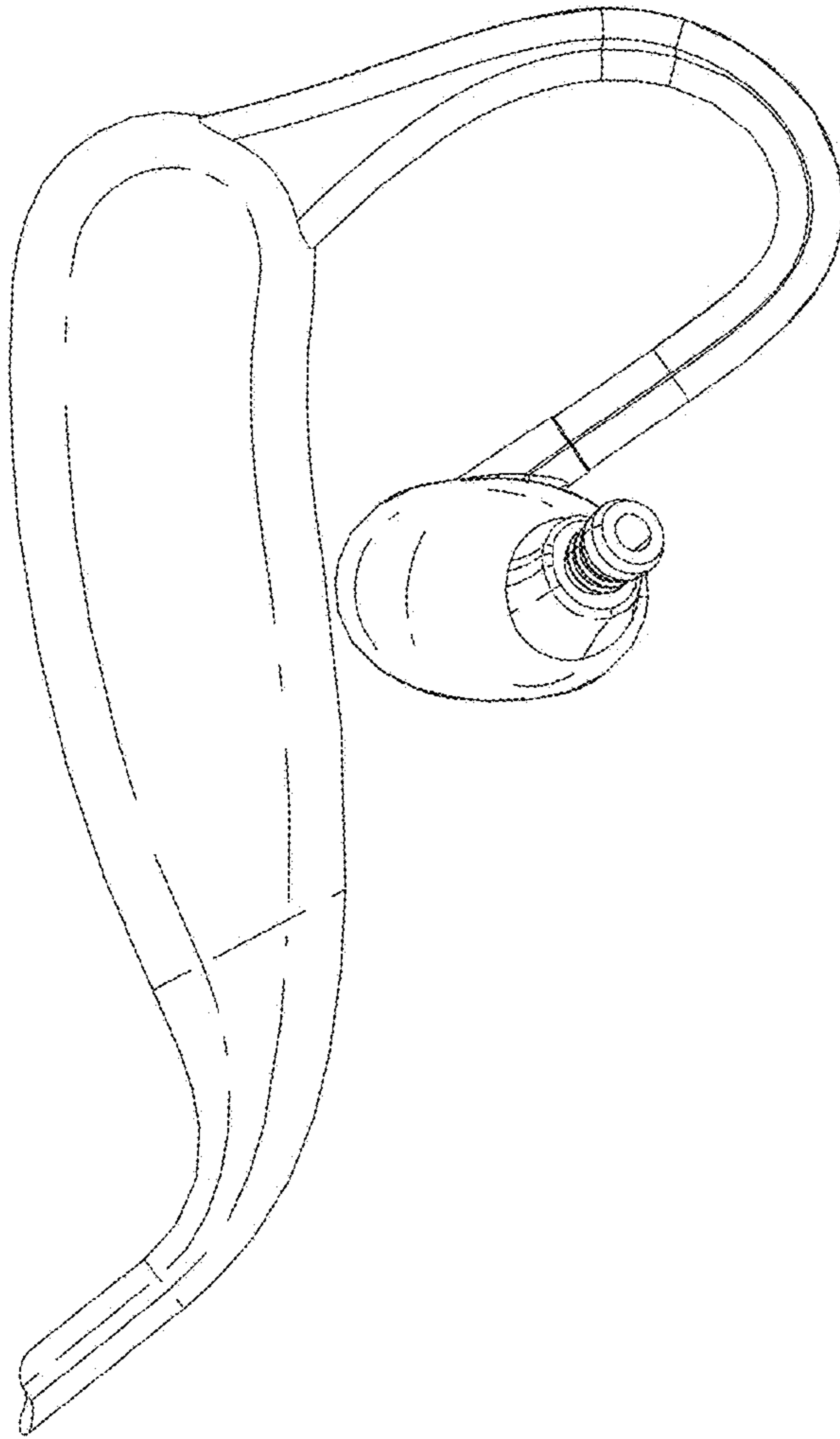


Fig. 12

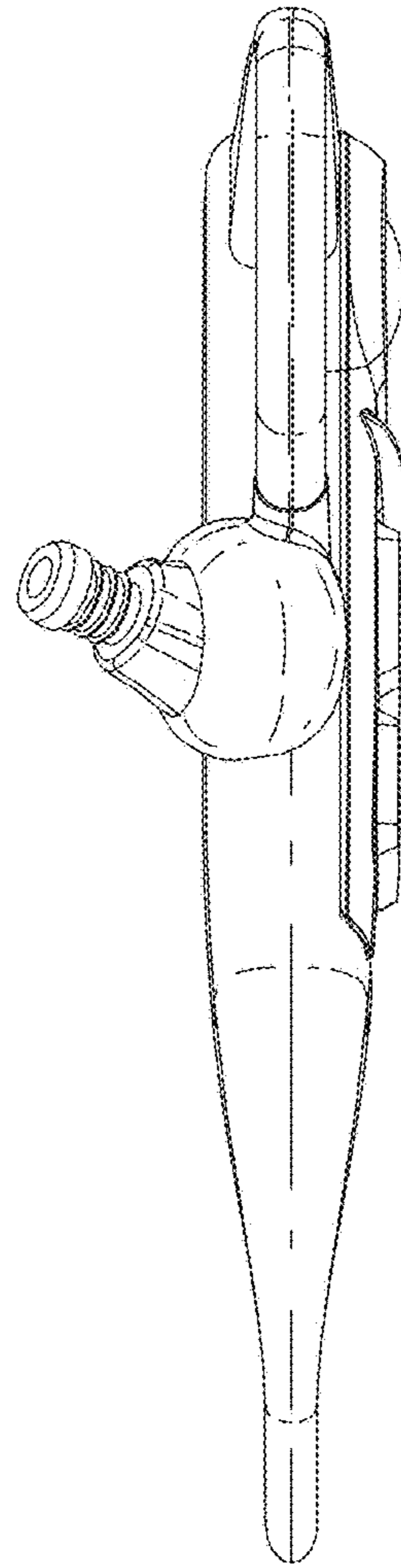


Fig. 13

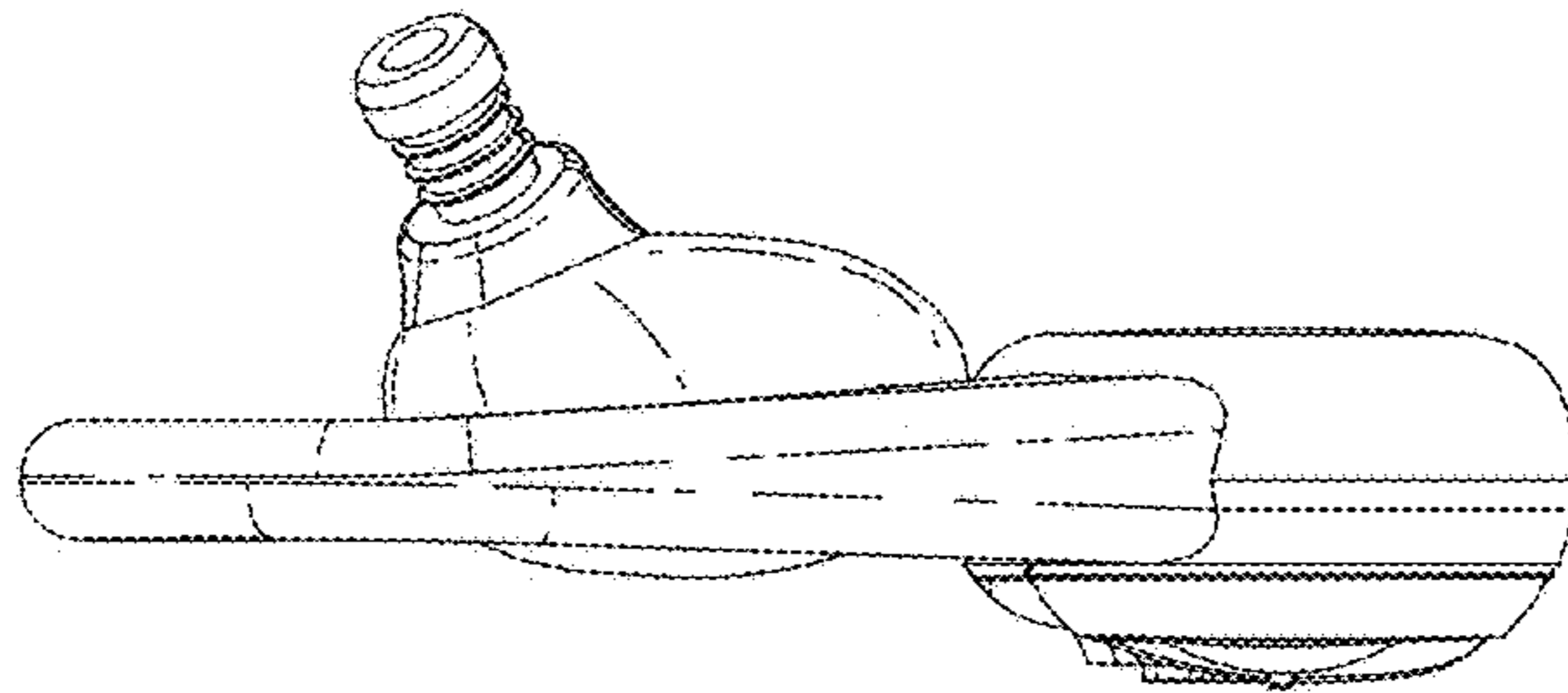


Fig. 14

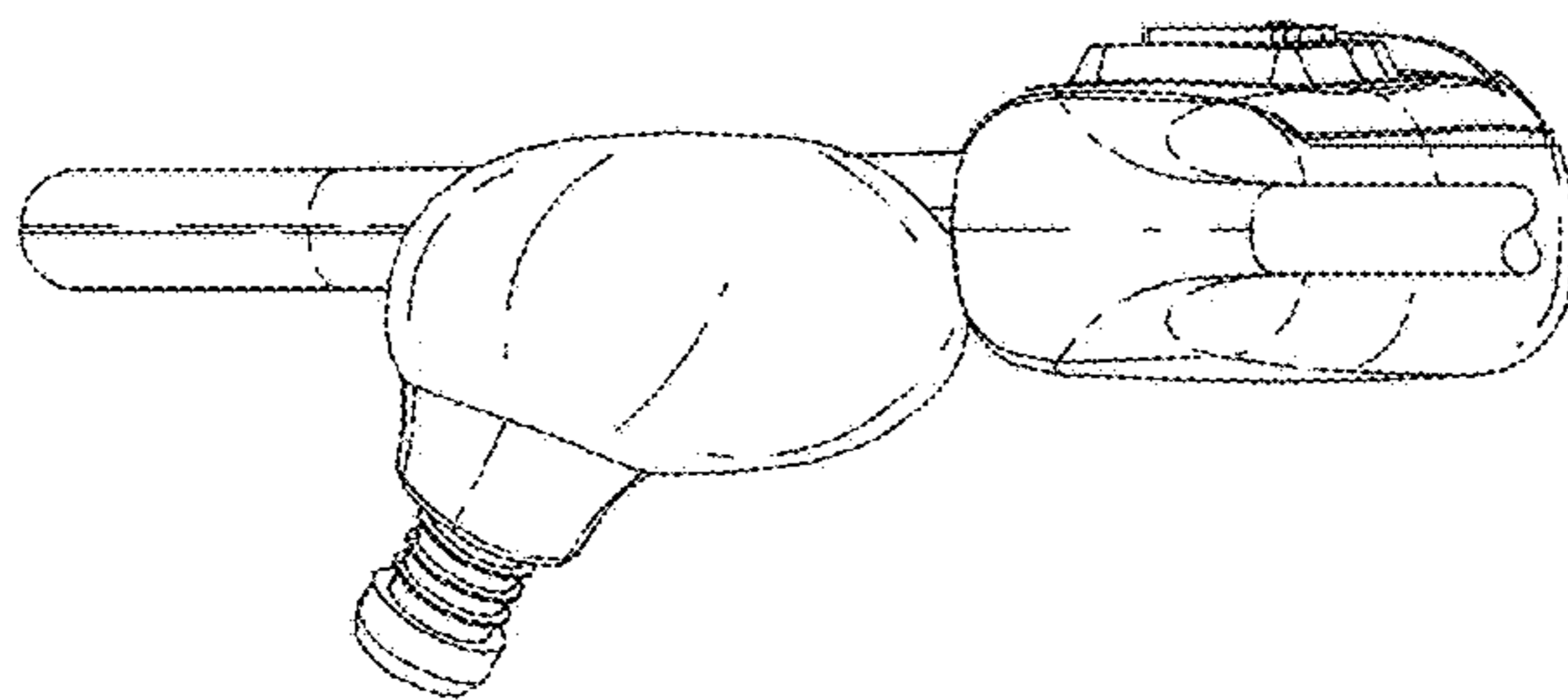


Fig. 15