



US00D838255S

(12) **United States Design Patent**
Wang

(10) **Patent No.:** **US D838,255 S**

(45) **Date of Patent:** **** Jan. 15, 2019**

(54) **WIRELESS LOUDSPEAKER**

(71) Applicant: **Shenzhen Trendwoo Tech. Co., Ltd.**,
Shenzhen, Guangdong (CN)

(72) Inventor: **Yang Wang**, Guangdong (CN)

(73) Assignee: **Shenzhen Trendwoo Tech. Co., Ltd.**,
Shenzhen (CN)

(**) Term: **15 Years**

(21) Appl. No.: **29/625,511**

(22) Filed: **Nov. 9, 2017**

(51) **LOC (11) Cl.** **14-01**

(52) **U.S. Cl.**
USPC **D14/204**

(58) **Field of Classification Search**
USPC D14/167, 168, 170–172, 188, 204, 210,
D14/214; 181/143, 144, 148, 153, 157,
181/198, 199; 369/6–12; 381/300–303,
381/361–364, 366, 386–388
CPC H04R 1/02; H04R 1/021; H04R 1/025;
H04R 1/026; H04R 1/028; H04R 1/403;
H04R 1/2803; H04R 1/2834; H04R 5/02;
H04R 9/06; H04R 19/013; H04R
2400/00; G06F 1/1688

See application file for complete search history.

(56) **References Cited**

U.S. PATENT DOCUMENTS

D233,365 S * 10/1974 Tomioka D14/199
D542,279 S * 5/2007 Chan D14/216

D692,411 S * 10/2013 Joseph D14/215
D715,249 S * 10/2014 Zhou D14/158
D720,752 S * 1/2015 Bleads D14/420
D725,076 S * 3/2015 Wong D14/216
2004/0231911 A1* 11/2004 Welker H04R 1/26
181/165

* cited by examiner

Primary Examiner — Derrick E Holland

Assistant Examiner — Janice Patyk

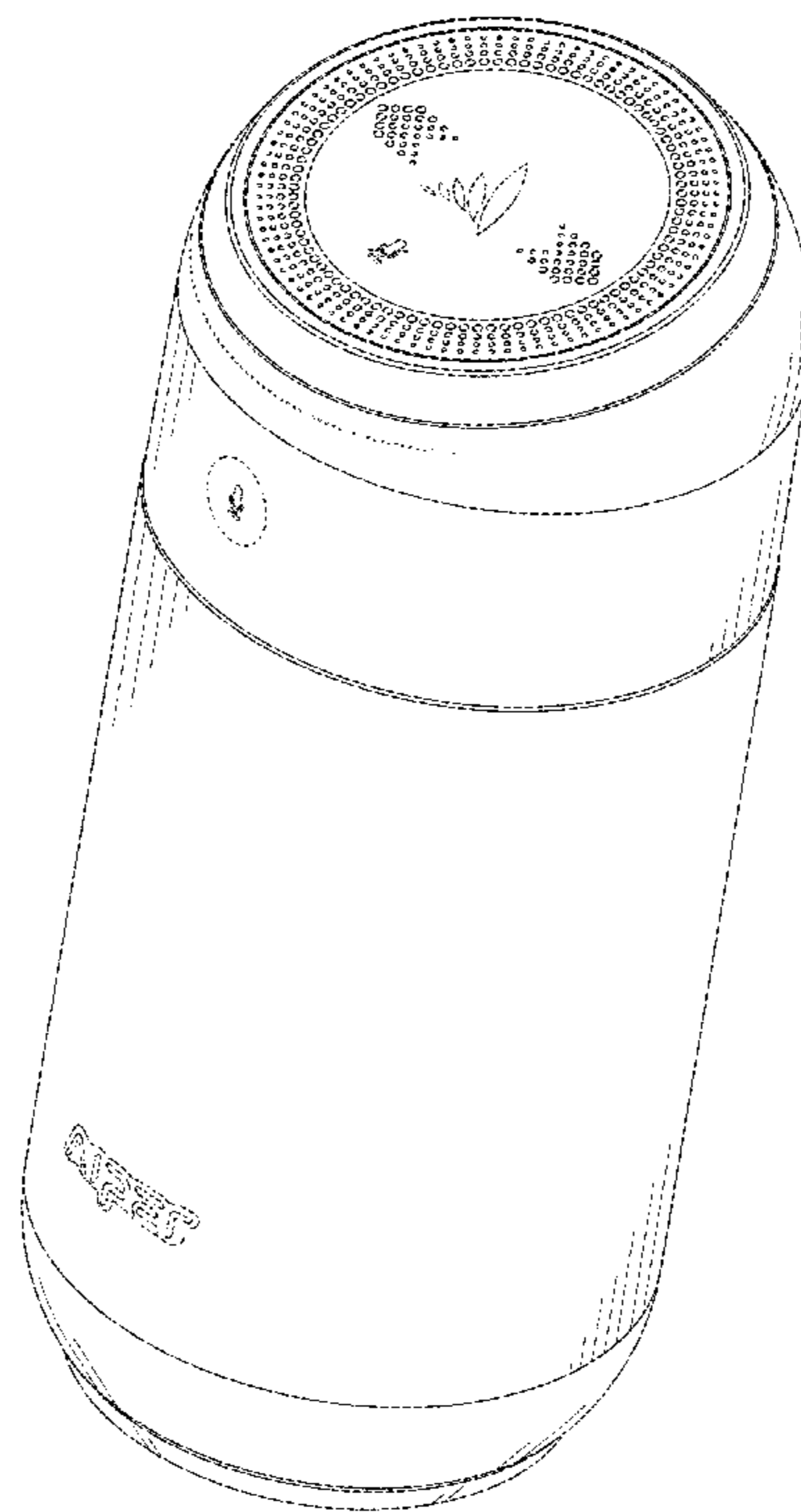
(57) **CLAIM**

The ornamental design for a wireless loudspeaker, as shown and described.

DESCRIPTION

FIG. 1 is a front elevational view of a wireless loudspeaker showing my new design;
FIG. 2 is a rear elevational view thereof;
FIG. 3 is a left side view thereof;
FIG. 4 is a right side view thereof;
FIG. 5 is a top plan view thereof;
FIG. 6 is a bottom plan view thereof;
FIG. 7 is a first perspective view thereof; and,
FIG. 8 is a second perspective view thereof.
The broken lines in the drawings illustrate portions of the wireless loudspeaker which form no part of the claimed design.

1 Claim, 8 Drawing Sheets



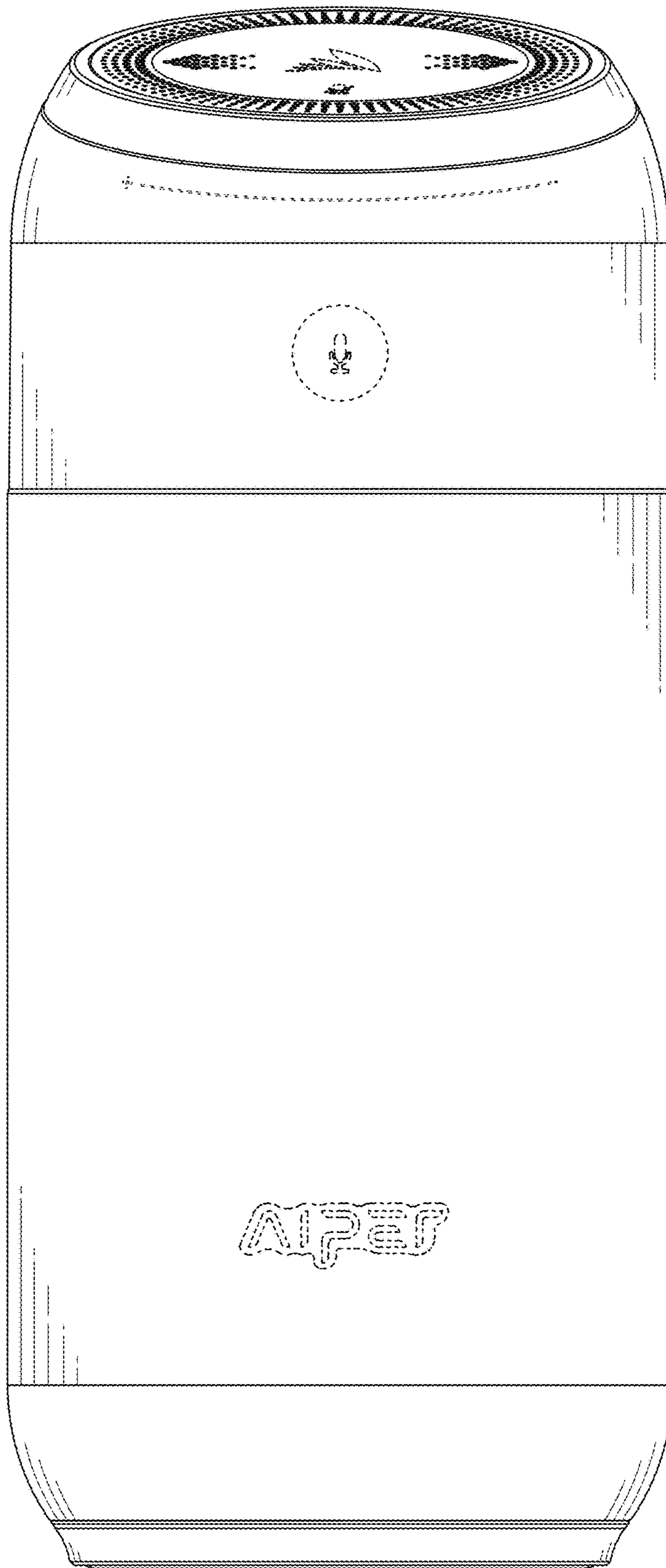


FIG.1

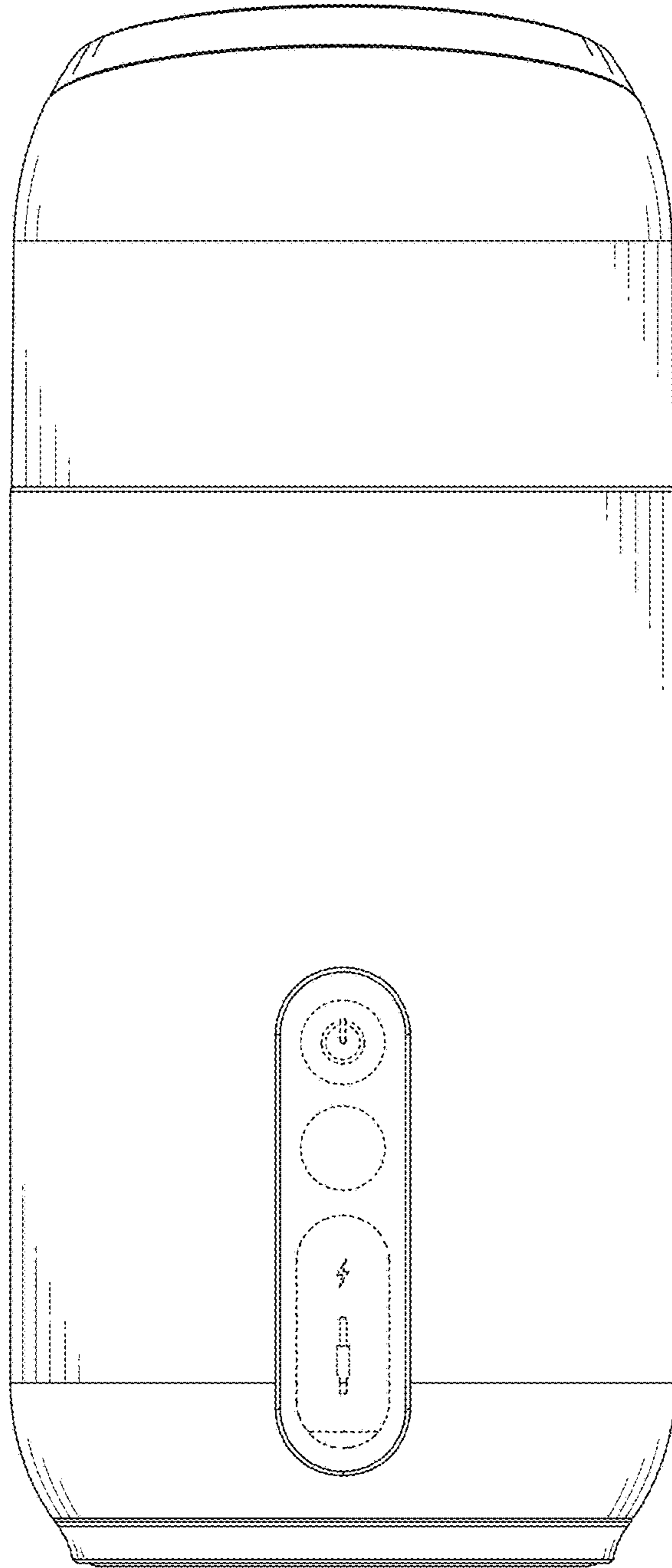


FIG.2

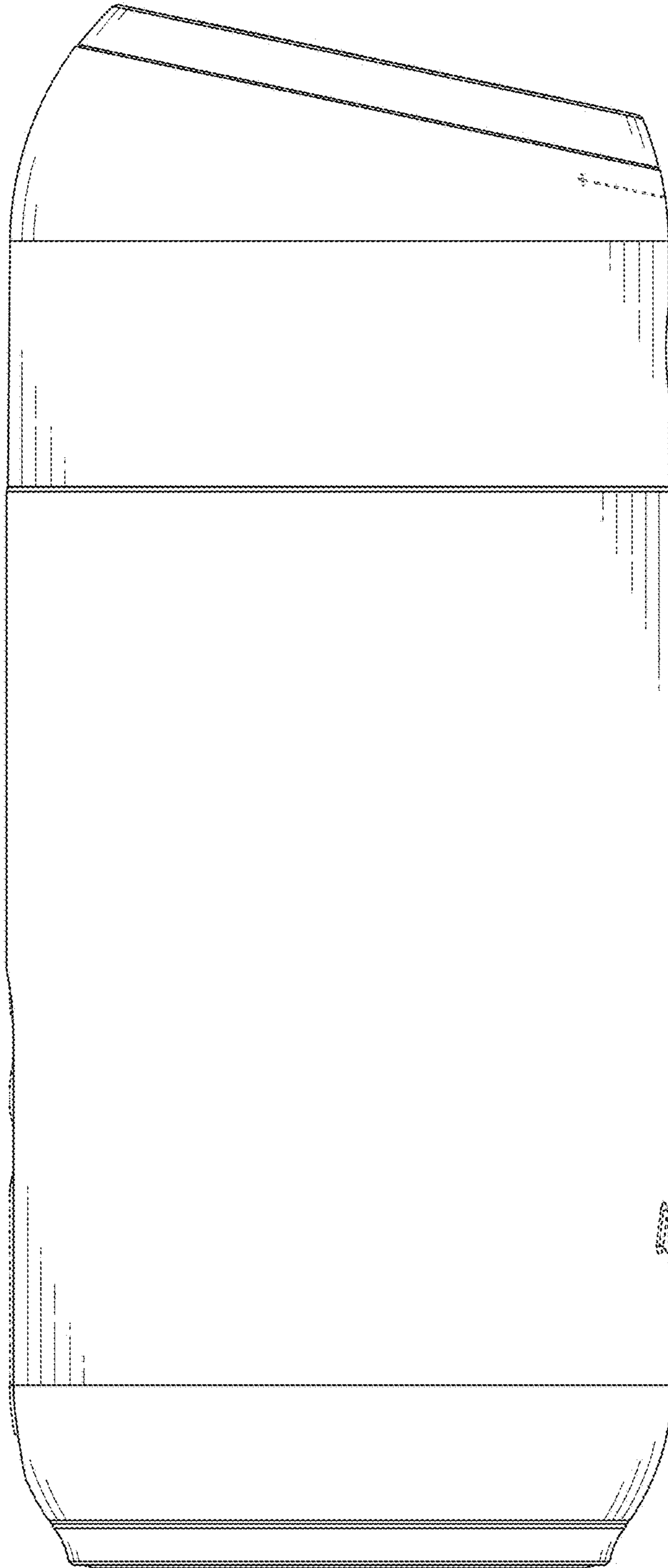


FIG.3

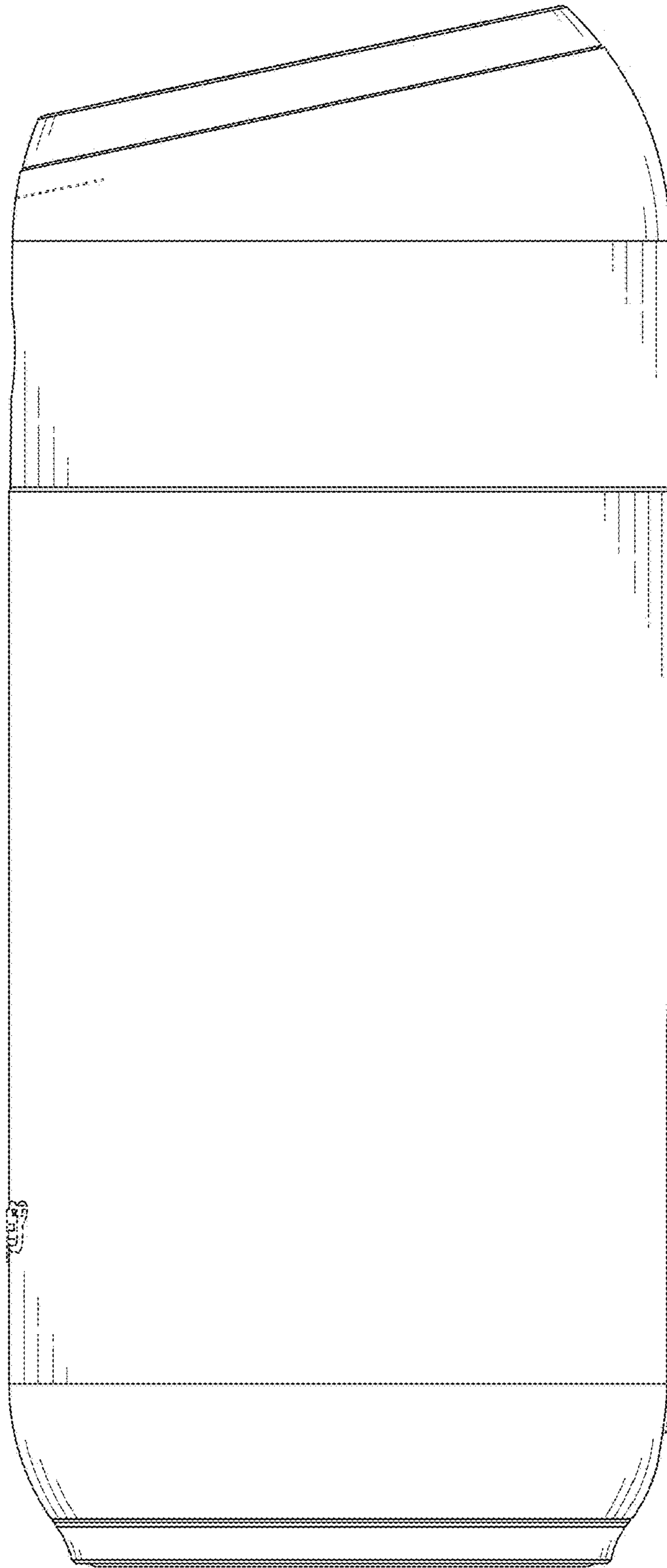


FIG.4

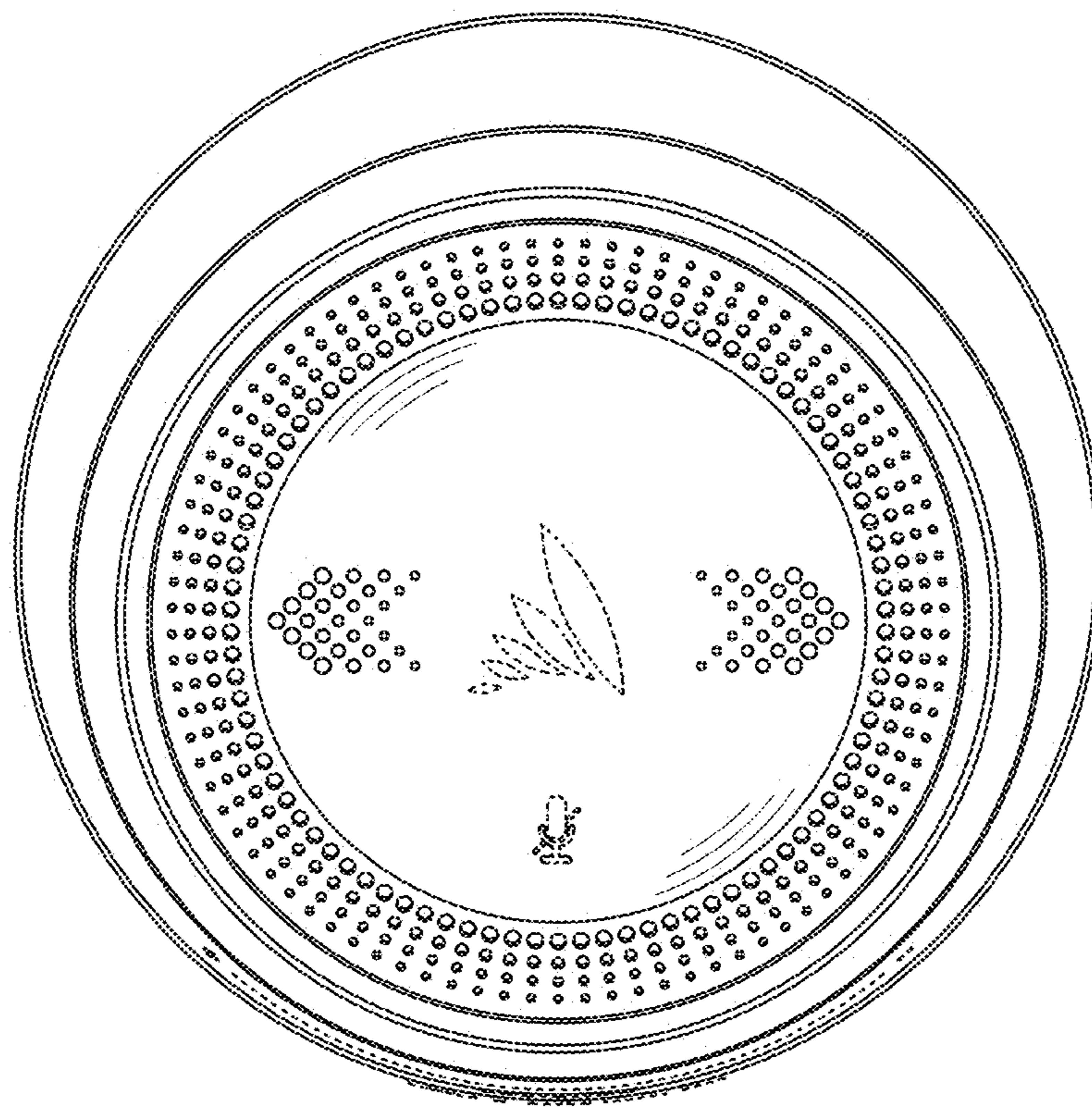


FIG.5

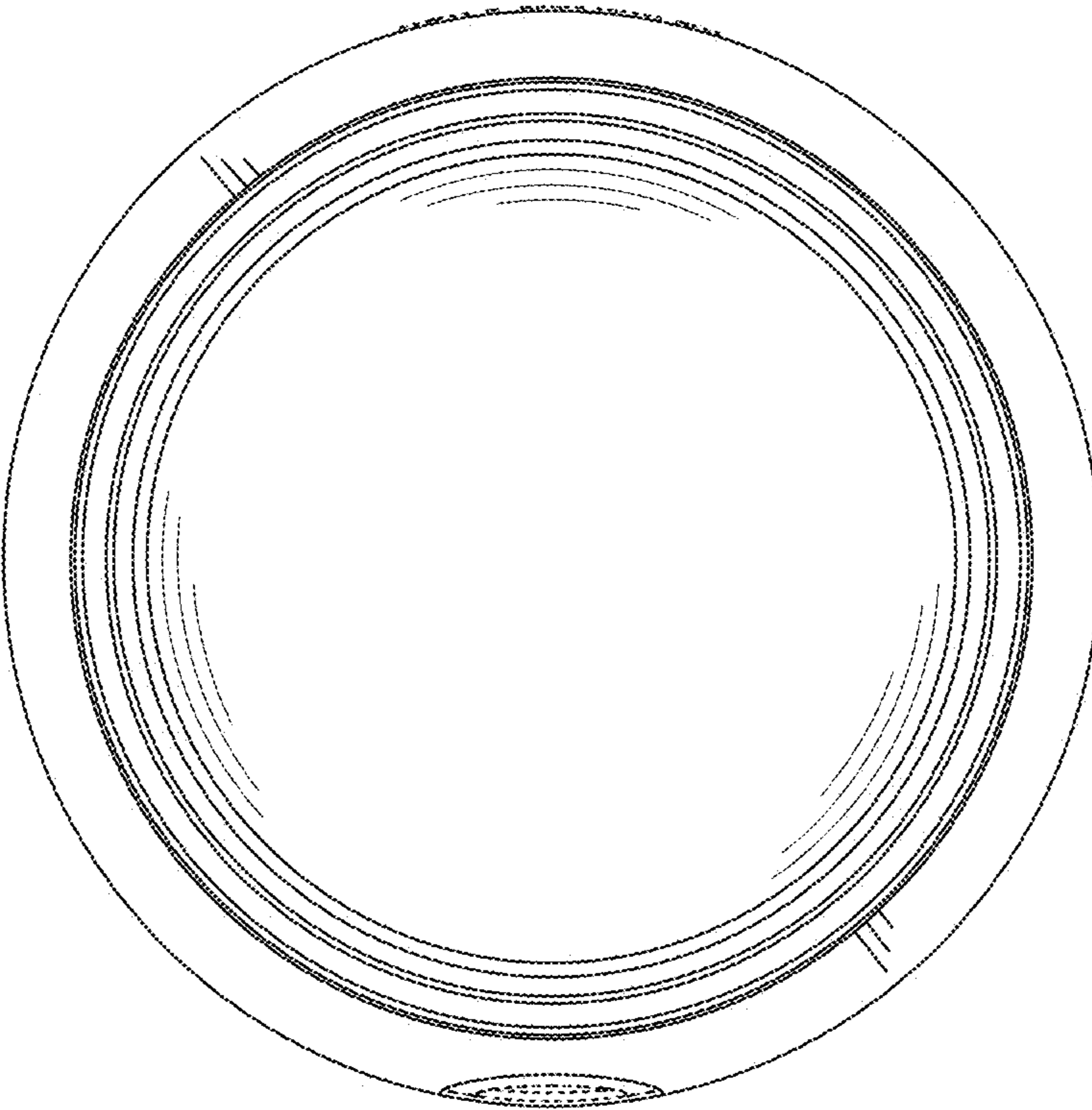


FIG.6

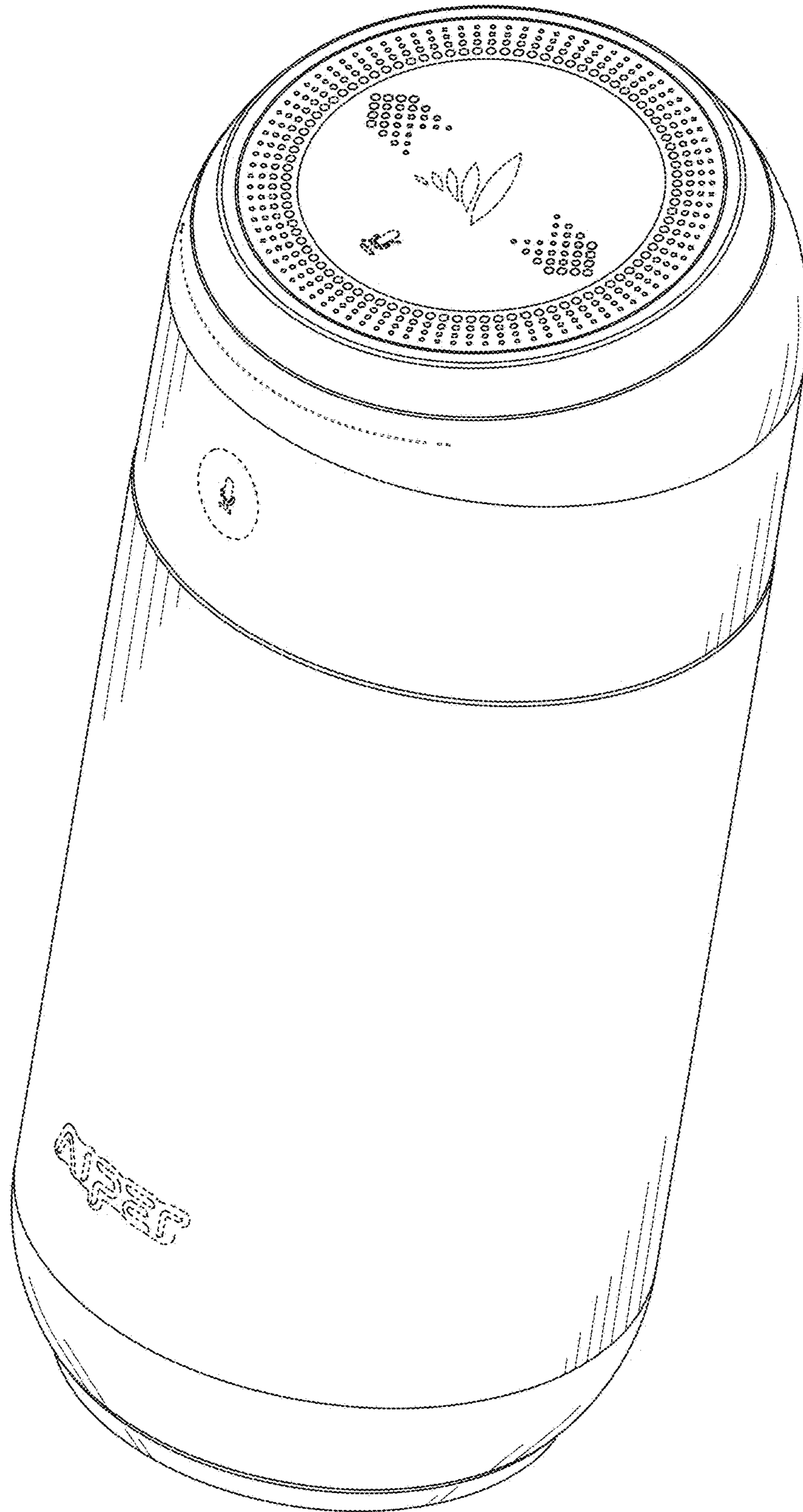


FIG. 7

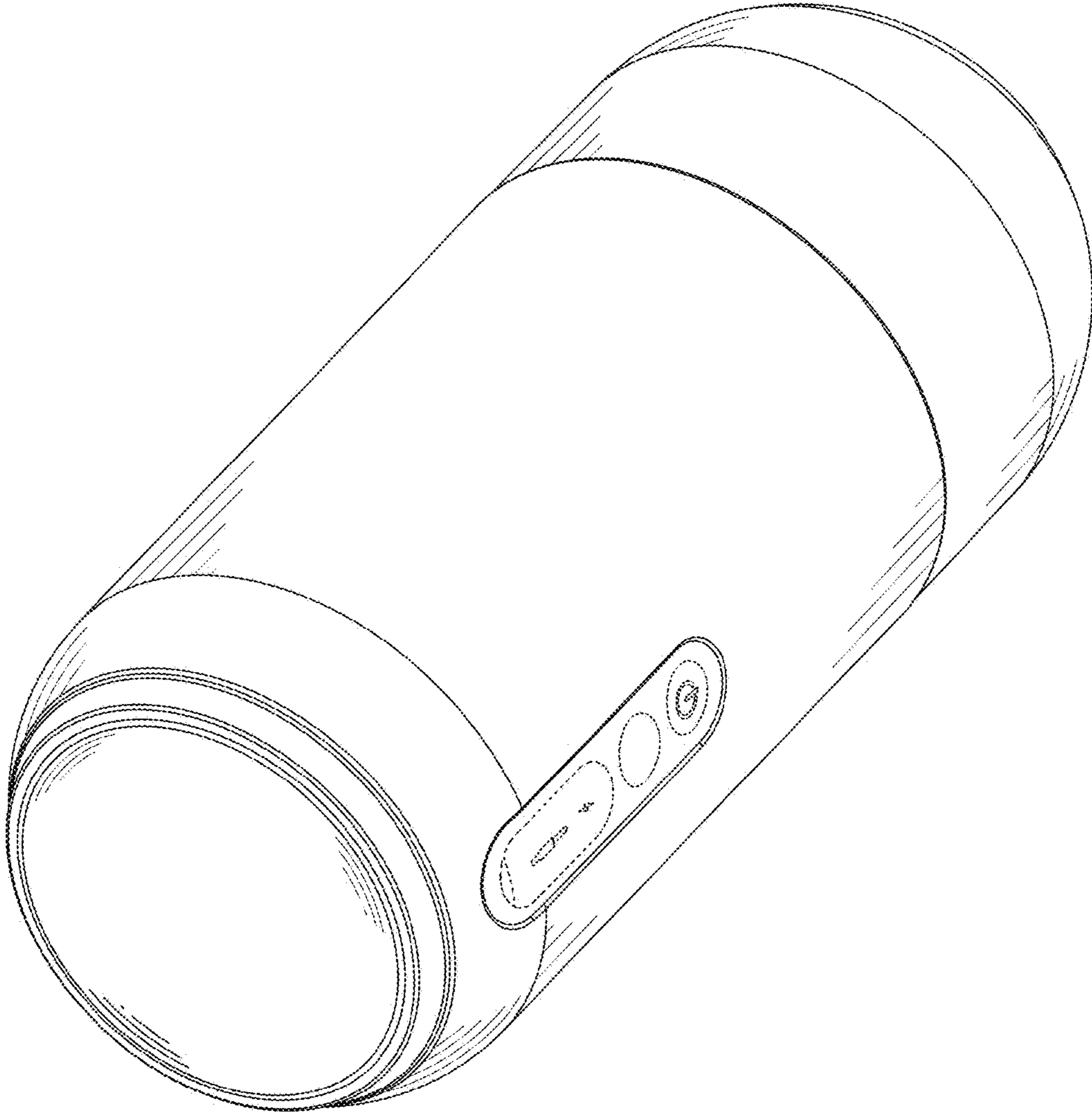


FIG.8