



US00D838253S

(12) **United States Design Patent** (10) **Patent No.:** **US D838,253 S**
Asamizu et al. (45) **Date of Patent:** **** Jan. 15, 2019**

(54) **IMAGE DISPLAY**

- (71) Applicant: **Sakai Display Products Corporation**, Sakai-shi, Osaka (JP)
- (72) Inventors: **Tomohiro Asamizu**, Sakai (JP); **Yusuke Miyake**, Sakai (JP); **Noriaki Miyoshi**, Sakai (JP); **Tomoaki Oya**, Sakai (JP)
- (73) Assignee: **Sakai Display Products Corporation**, Sakai-shi, Osaka (JP)

- (**) Term: **15 Years**
- (21) Appl. No.: **29/629,632**
- (22) Filed: **Dec. 14, 2017**

Related U.S. Application Data

- (63) Continuation-in-part of application No. 29/512,886, filed on Dec. 23, 2014.

(30) **Foreign Application Priority Data**

- Jul. 4, 2014 (JP) 2014-014792
- Jul. 4, 2014 (JP) 2014-014793
- Jul. 4, 2014 (JP) 2014-014794

- (51) **LOC (11) Cl.** **14-03**
- (52) **U.S. Cl.**
USPC **D14/126**

- (58) **Field of Classification Search**
USPC D14/125-134, 239, 371, 136, 374-377, D14/440, 450, 448, 336, 342, 159; 312/7.2; 348/836, 838, 180, 184, 325, 348/739; 248/917-924, 465; 345/104, 345/133, 156, 168, 87, 173; D21/329,

(Continued)

(56) **References Cited**

U.S. PATENT DOCUMENTS

- 1,408,344 A * 2/1922 Corsan B43L 17/10
34/89.1
- D460,056 S * 7/2002 Niitsu D14/126
(Continued)

OTHER PUBLICATIONS

Office Action dated Nov. 16, 2016, for U.S. Appl. No. 29/512,886, 4 pages.

(Continued)

Primary Examiner — Marianne Pandozzi

(74) *Attorney, Agent, or Firm* — Bret E. Field; Bozicevic, Field & Francis LLP

(57) **CLAIM**

The ornamental design for image display, as shown and described.

DESCRIPTION

FIG. 1 is a front view of an image display showing our new design;

FIG. 2 is a rear view thereof;

FIG. 3 is a left side view thereof;

FIG. 4 is a right side view thereof;

FIG. 5 is a top plan view thereof;

FIG. 6 is a bottom view thereof;

FIG. 7 is a front left side perspective view thereof;

FIG. 8 is a partially enlarged perspective view taken from area 8 of FIG. 7;

FIG. 9 is a partially enlarged perspective view taken from area 9 of FIG. 7;

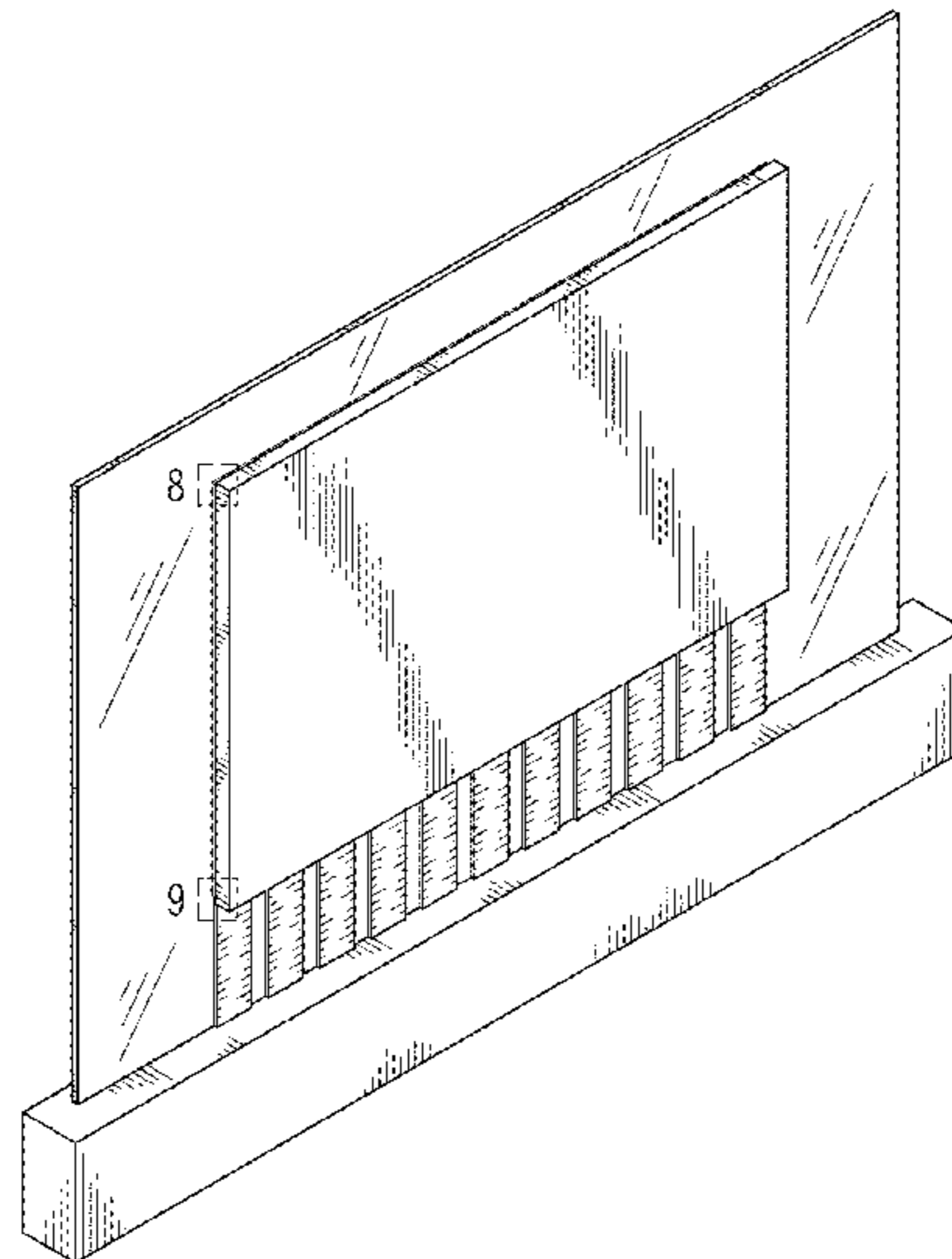
FIG. 10 is a front right perspective view thereof;

FIG. 11 is a partially enlarged perspective view taken from area 11 of FIG. 10;

FIG. 12 is a partially enlarged perspective view taken from area 12 of FIG. 10; and,

FIG. 13 is a rear perspective view thereof.

1 Claim, 13 Drawing Sheets



US D838,253 S

Page 2

(58) **Field of Classification Search**

USPC D21/515, 577, 622, 333, 433, 448, 452,
D21/450, 331, 505; D10/15, 26;
446/484, 175, 356; D6/477, 479, 300;
D20/10, 19, 39; D16/203, 241; 160/24;
362/97.1
CPC G06F 1/1601; G06F 1/1643; G06F 1/1652;
G06F 1/1647; G06F 3/0412; H05K
5/0004; H05K 5/0017; H05K 5/02; H05K
5/0217; H04N 13/0459; G02B 6/0003
See application file for complete search history.

(56) **References Cited**

U.S. PATENT DOCUMENTS

D540,275 S * 4/2007 Lewis D14/126
D542,243 S * 5/2007 Lewis D14/126
D564,990 S * 3/2008 Ueno D14/126
7,455,441 B2 * 11/2008 Chosa G02B 6/0031
257/E25.02
7,466,484 B2 * 12/2008 Mi G02B 5/3058
359/485.05
7,478,940 B2 * 1/2009 Zhu G02B 6/0021
362/606
D606,953 S * 12/2009 Shin D14/126
D610,562 S * 2/2010 Chien D14/126
D615,509 S * 5/2010 Song D14/126
7,940,353 B2 * 5/2011 Tanaka G02B 6/0021
349/150
8,094,261 B2 * 1/2012 Fujita G02B 6/0086
349/58
D656,914 S * 4/2012 Shin D14/126
8,276,862 B2 * 10/2012 Eshita F16M 11/10
248/160
8,292,488 B2 * 10/2012 Ohfuku G02B 6/0091
349/65

8,421,955 B2 4/2013 Kubota et al.
8,421,995 B2 * 4/2013 Kelkar G02B 1/113
355/53
8,608,334 B2 * 12/2013 Sanders G09F 13/04
362/127
8,752,995 B2 * 6/2014 Park H05K 1/0209
362/294
8,760,603 B2 * 6/2014 Kweon G02B 6/0083
349/65
8,918,442 B2 * 12/2014 Liberty G06F 7/588
708/250
D722,033 S * 2/2015 Kim D14/126
D733,419 S * 7/2015 Wikner D3/214
D736,169 S * 8/2015 Kim D14/126
D737,234 S * 8/2015 Kim D14/126
D744,442 S * 12/2015 Kim D14/126
9,223,081 B2 * 12/2015 Oh G02B 6/005
D762,599 S * 8/2016 Moon D14/126
D763,212 S * 8/2016 Moon D14/126
D772,833 S * 11/2016 Han D14/126
D813,832 S * 3/2018 Kim D14/126
D823,823 S * 7/2018 Kim D14/126
D824,355 S * 7/2018 Kim D14/126
D826,200 S * 8/2018 Kim D14/126
2016/0161668 A1 6/2016 Bierhuizen
2016/0170236 A1 * 6/2016 Whitehead H04N 9/3102
362/97.1
2016/0195770 A1 * 7/2016 Fukai G02B 5/02
362/97.1

OTHER PUBLICATIONS

Office Action dated May 4, 2017, for U.S. Appl. No. 29/512,886, 14 pages.
Final Office Action dated Aug. 17, 2017, for U.S. Appl. No. 29/512,886, 7 pages.

* cited by examiner

FIG. 1

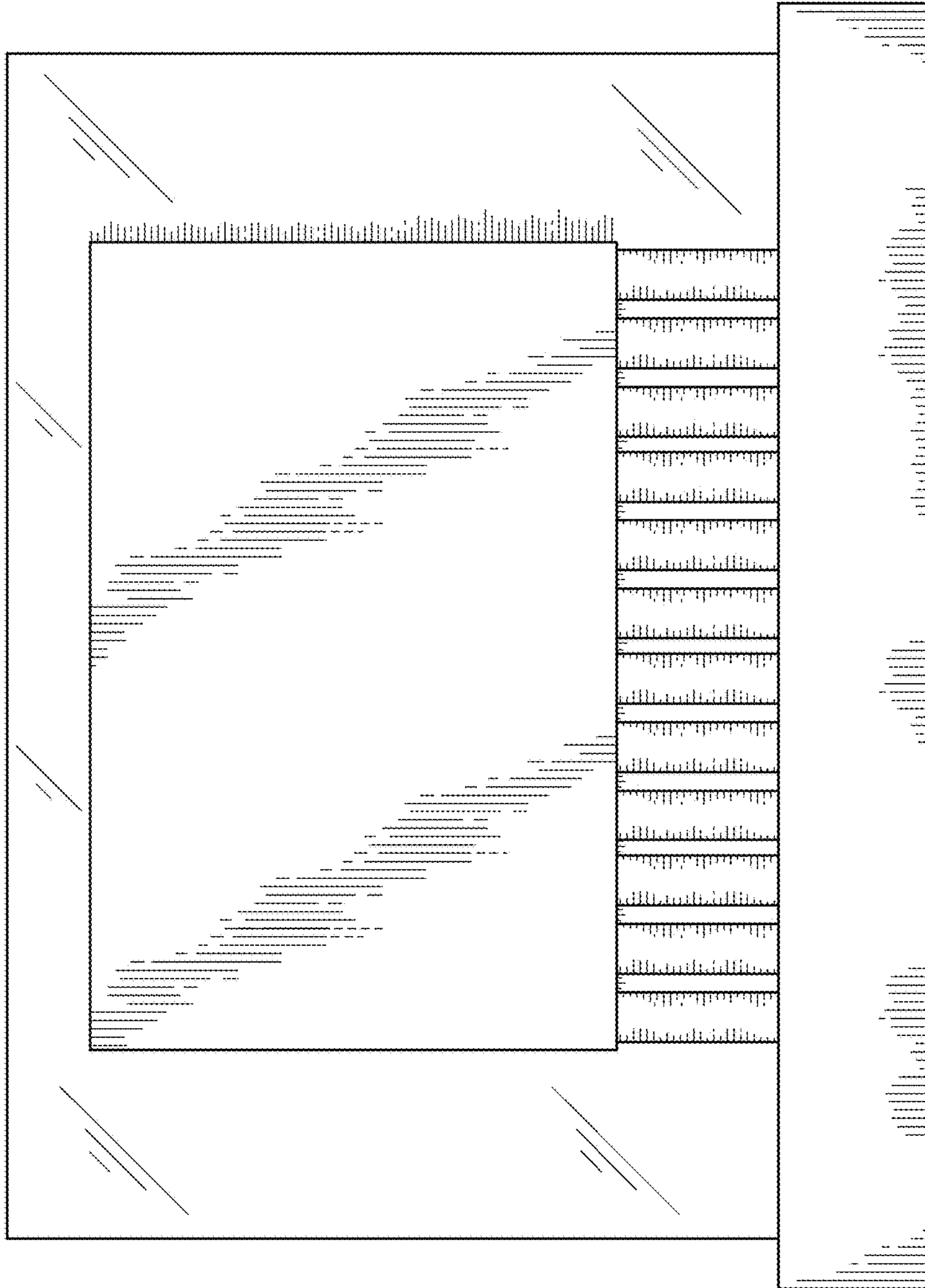


FIG. 2

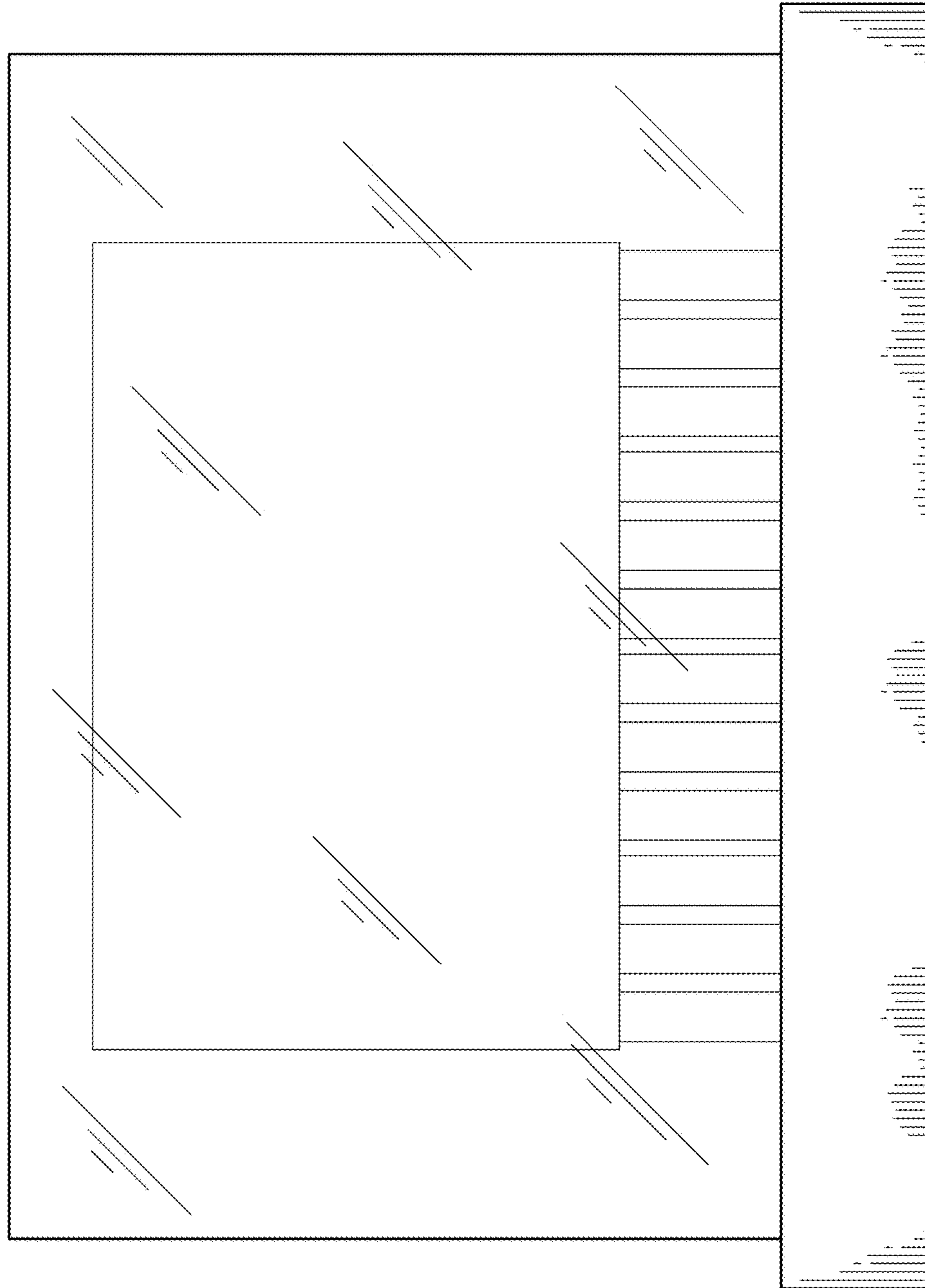


FIG. 3

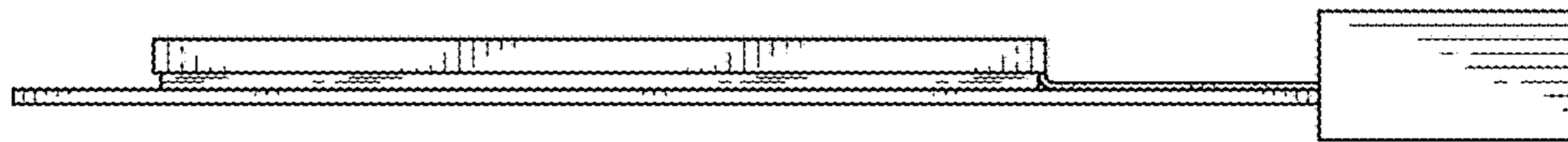


FIG. 4



FIG. 5

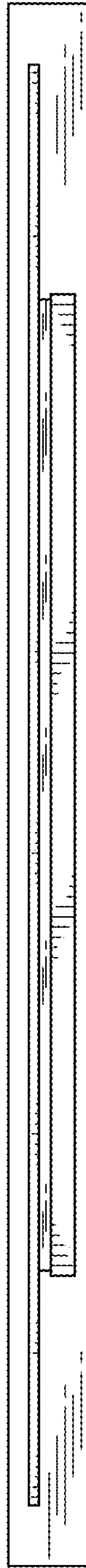


FIG. 6



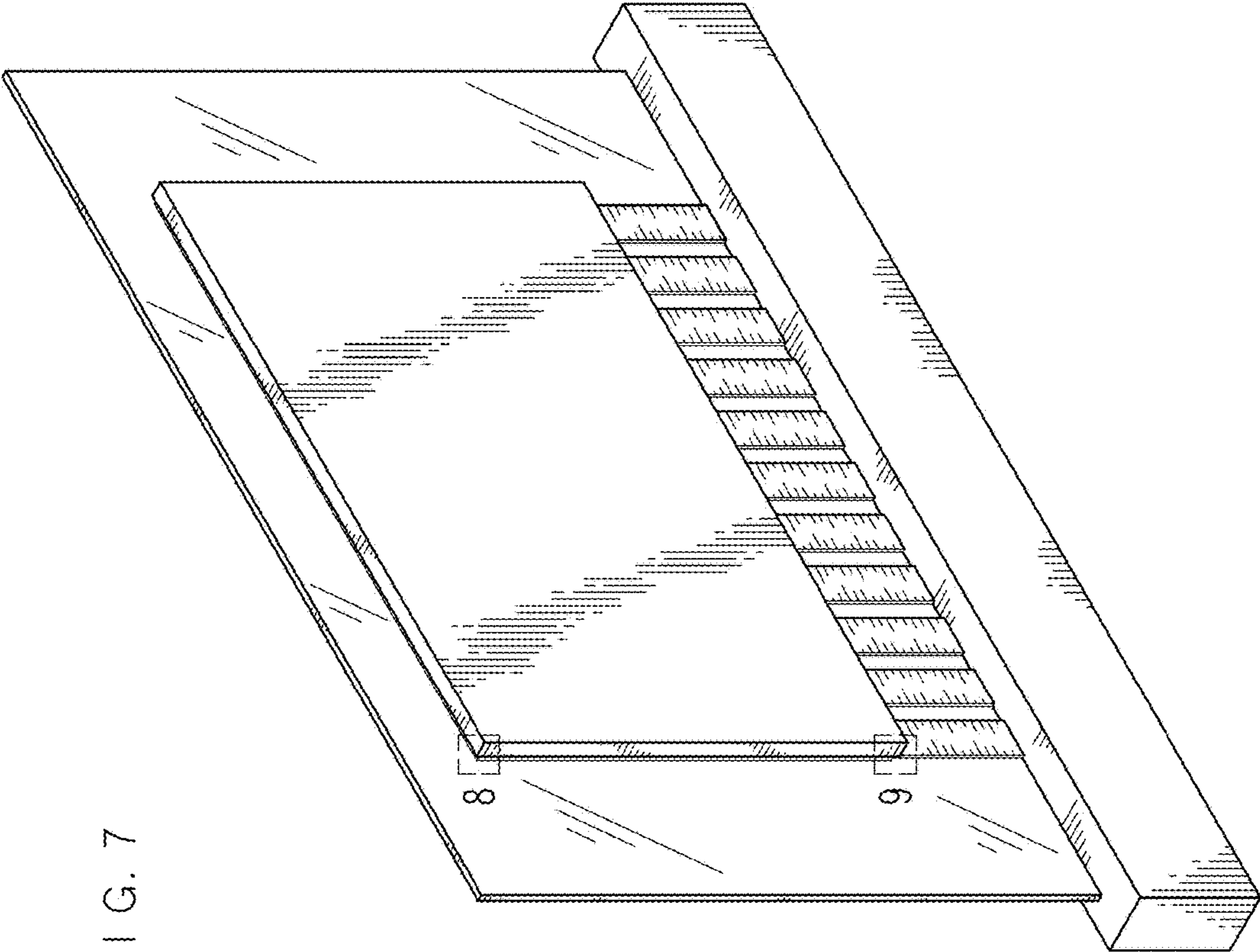
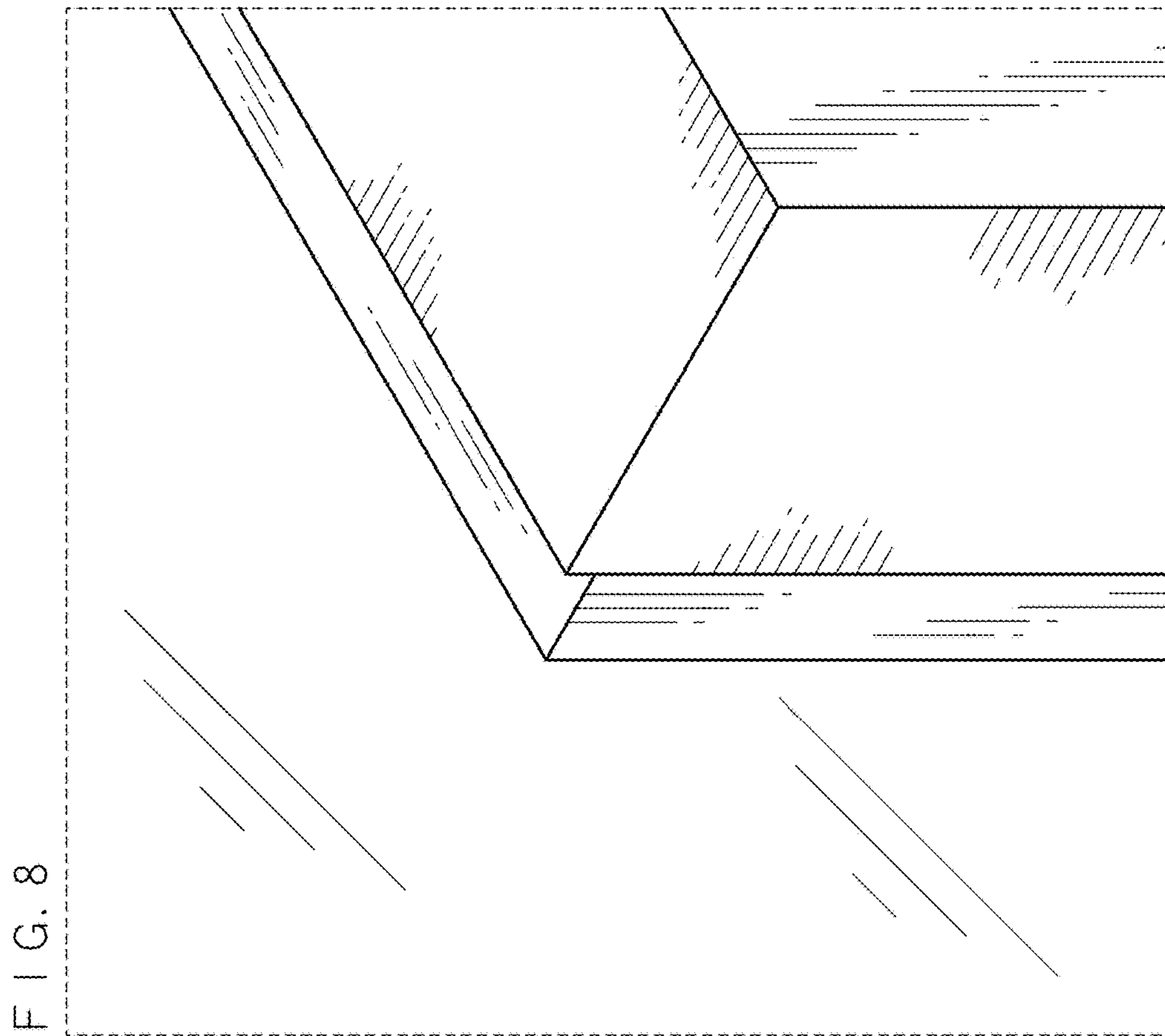
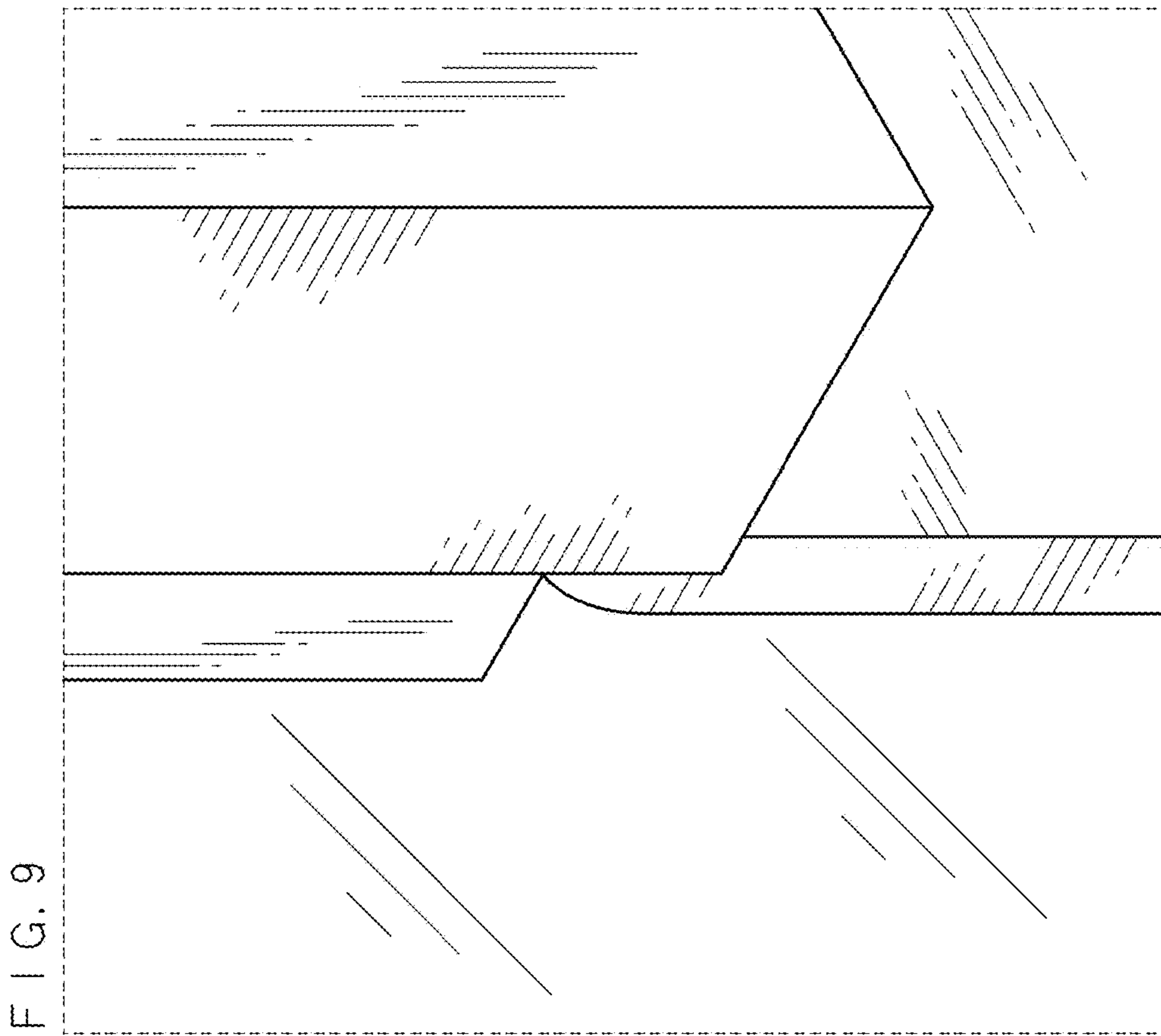


FIG. 7





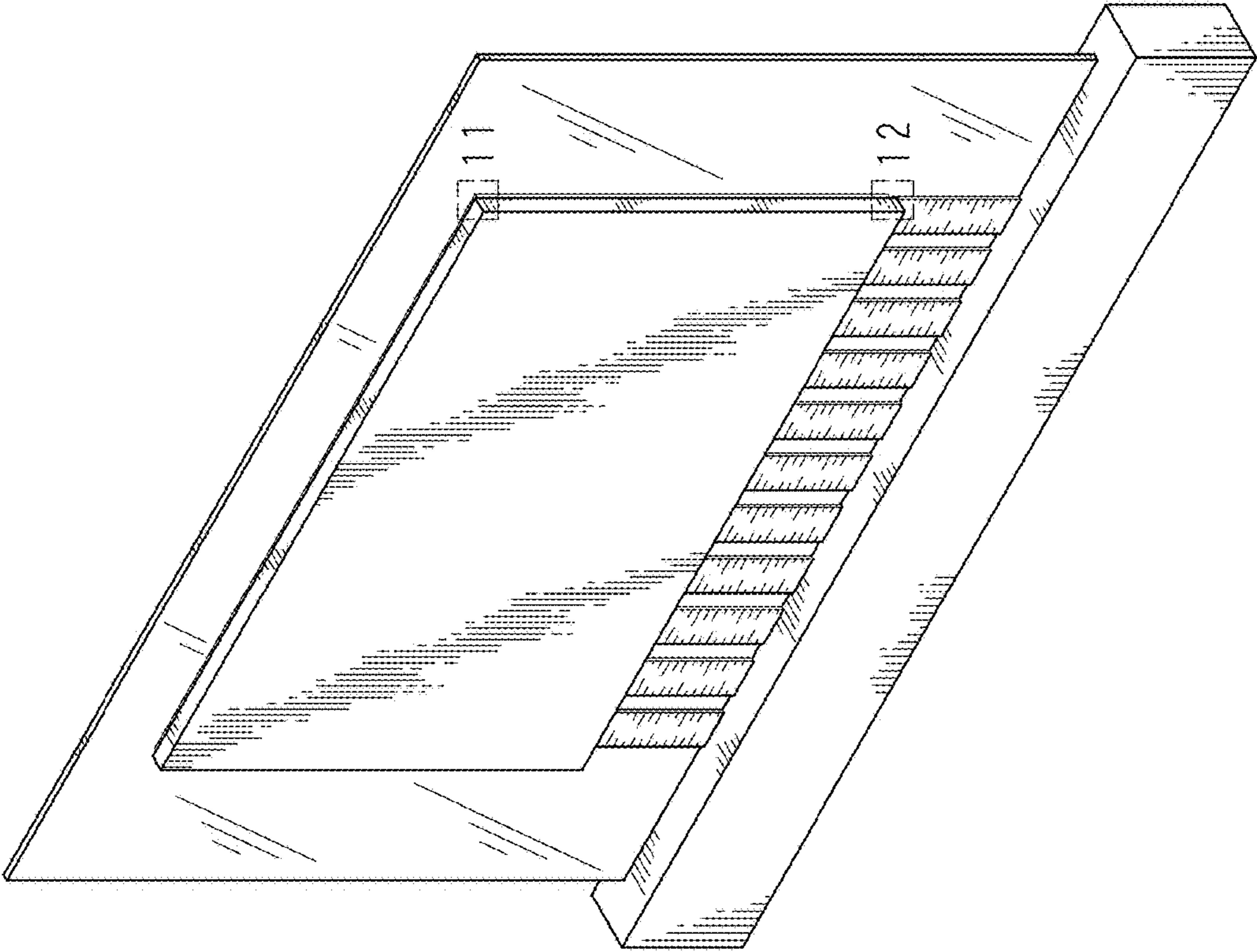


FIG. 10

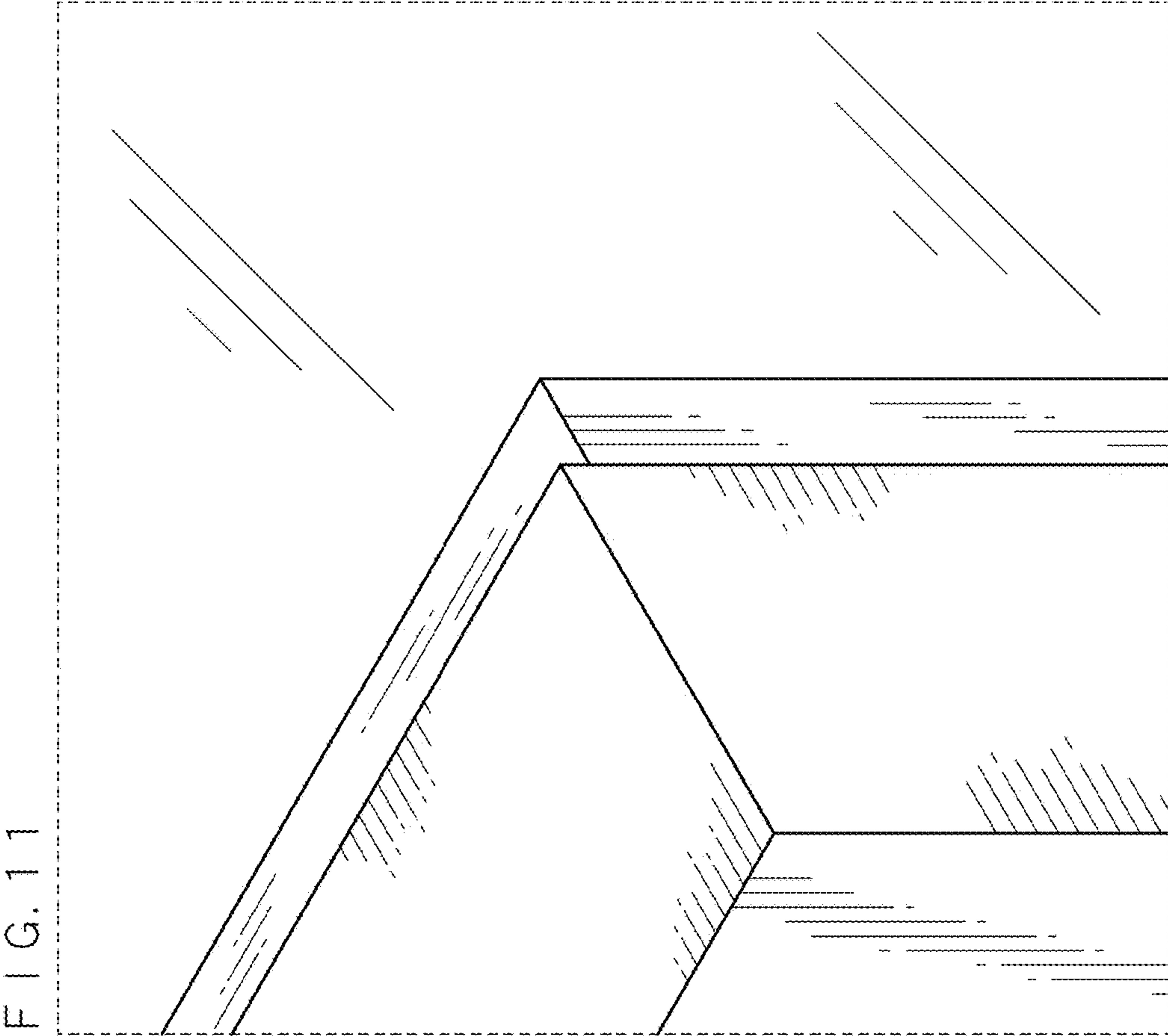
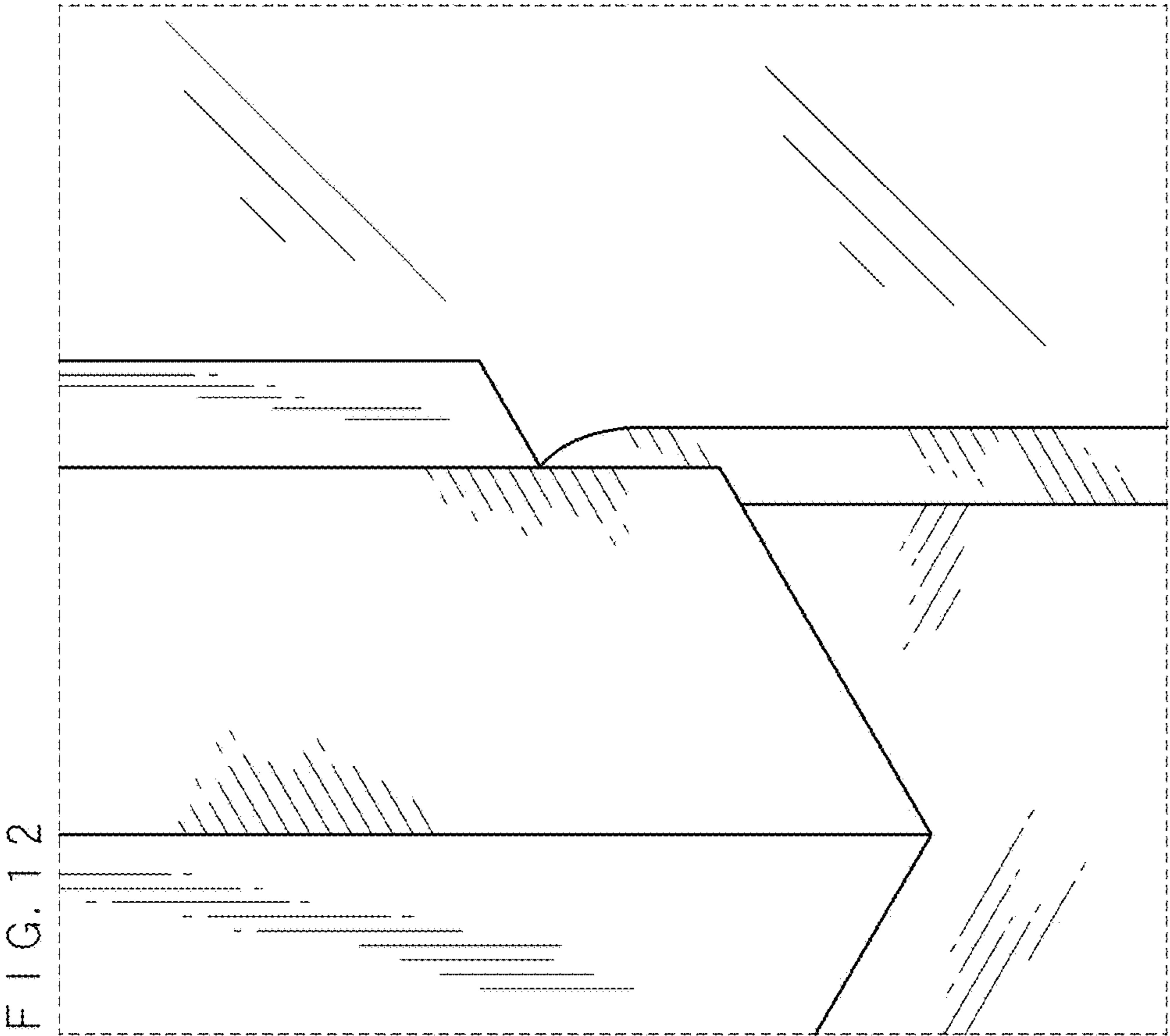


FIG. 11



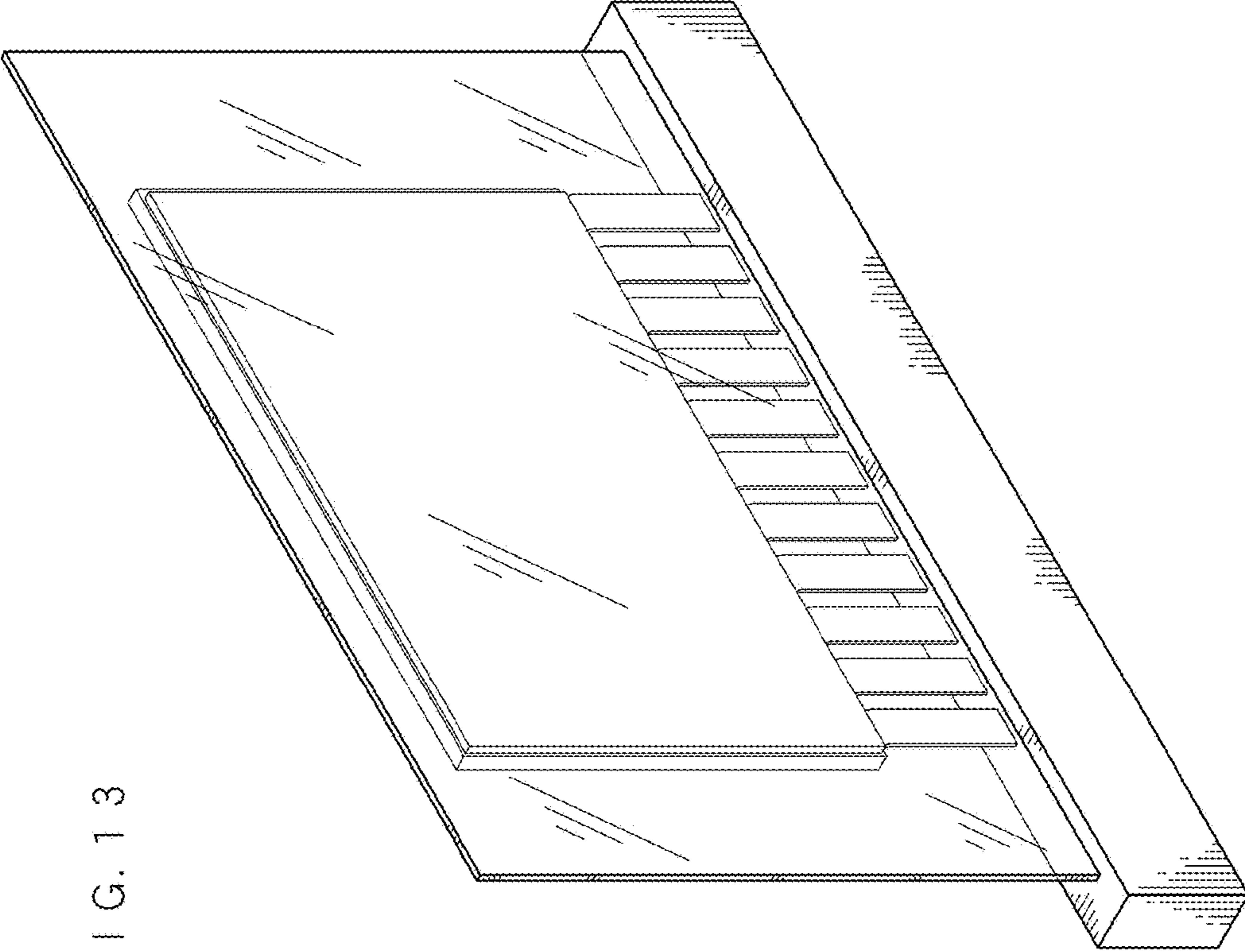


FIG. 13