



US00D838252S

(12) **United States Design Patent**
Shin

(10) **Patent No.:** **US D838,252 S**
(45) **Date of Patent:** **** Jan. 15, 2019**

(54) **SET TOP BOX**

(71) Applicant: **HUMAX CO., LTD.**, Yongin (KR)
(72) Inventor: **Yoon Sun Shin**, Seongnam (KR)
(73) Assignee: **HUMAX CO., LTD.**, Yongin (KR)
(**) Term: **15 Years**

(21) Appl. No.: **29/545,136**

(22) Filed: **Nov. 10, 2015**

(30) **Foreign Application Priority Data**

Aug. 25, 2015 (KR) 30-2015-0042792

(51) **LOC (11) Cl.** **14-03**

(52) **U.S. Cl.**
USPC **D14/125**

(58) **Field of Classification Search**
USPC D14/125, 357-358, 496, 188, 242, 432;
D13/184; 348/10, 460, 706, 731;
340/825.03; 455/6.1, 6.2; 312/223.1, 7.2
CPC H04N 7/00
See application file for complete search history.

(56) **References Cited**

U.S. PATENT DOCUMENTS

D542,288 S * 5/2007 Andre D14/314
D723,480 S * 3/2015 Lee D14/125
D730,851 S * 6/2015 Lee D14/125
D753,812 S * 4/2016 Salmon D24/110

OTHER PUBLICATIONS

<http://www.ifdesign.de/>, "iF Design Award 2015," iF Branch Office Korea, Feb. 27, 2015, pp. 1.

* cited by examiner

Primary Examiner — Randall H Gholson

(57) **CLAIM**

The ornamental design for a set top box, as shown and described.

DESCRIPTION

FIG. 1 is a perspective view of a set top box showing my new design;
FIG. 2 is a front view thereof;
FIG. 3 is a rear view thereof;
FIG. 4 is a left-side view thereof;
FIG. 5 is a right-side view thereof;
FIG. 6 is a top plan view thereof; and,
FIG. 7 is a bottom plan view thereof.
The broken lines depict portions of the set top box that form no part of the claimed design.

1 Claim, 7 Drawing Sheets

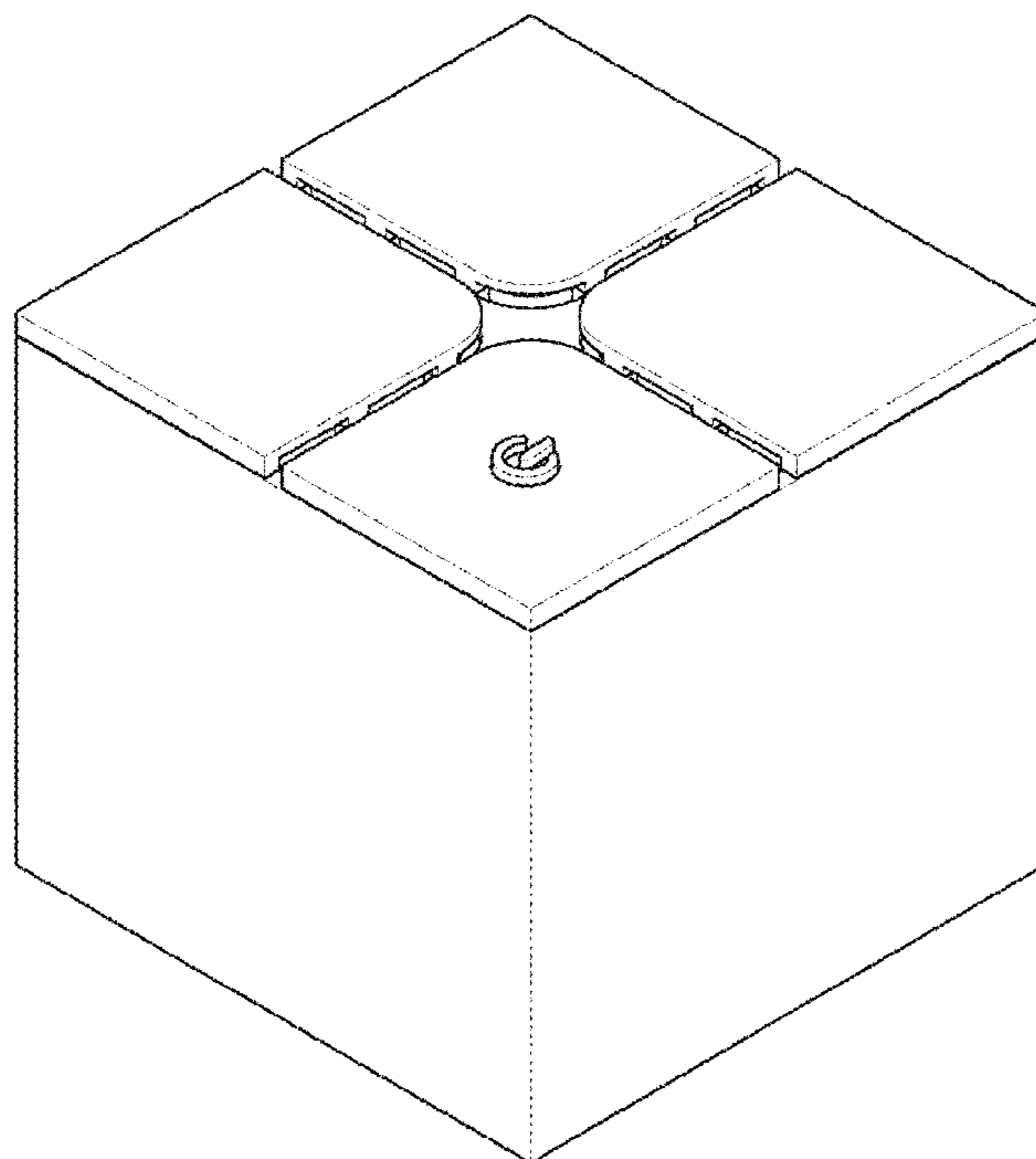


Fig. 1

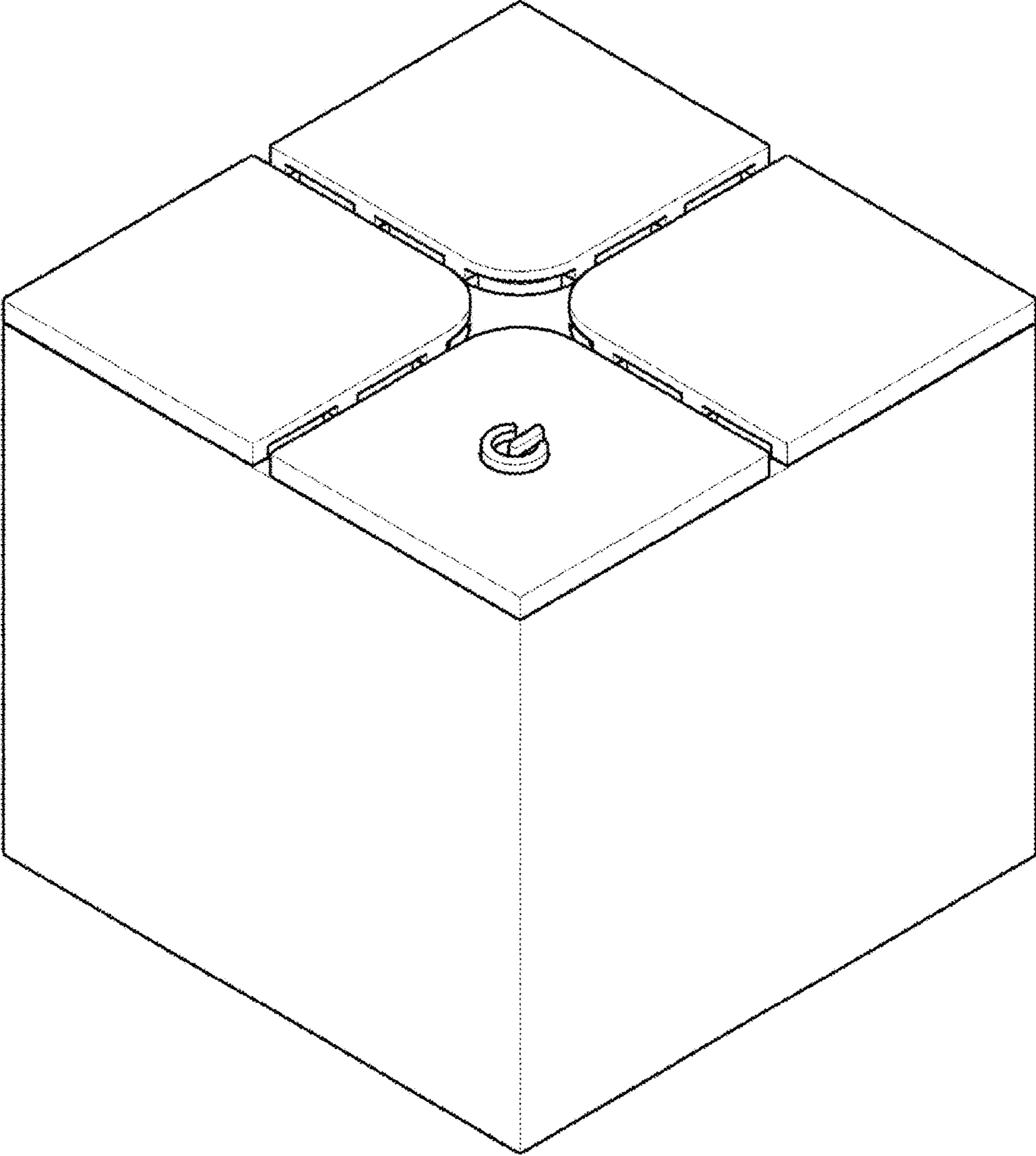


Fig. 2

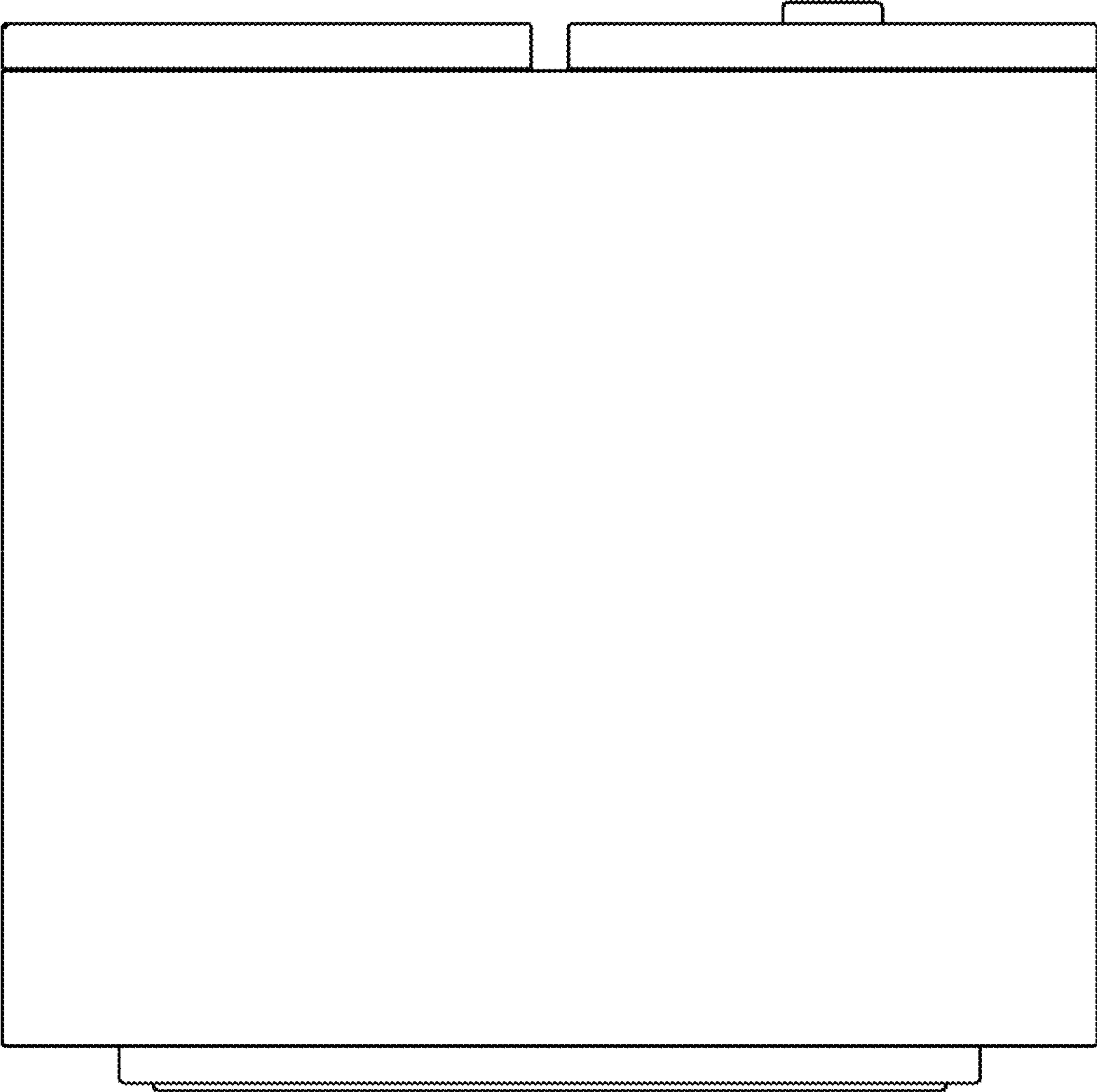


Fig. 3

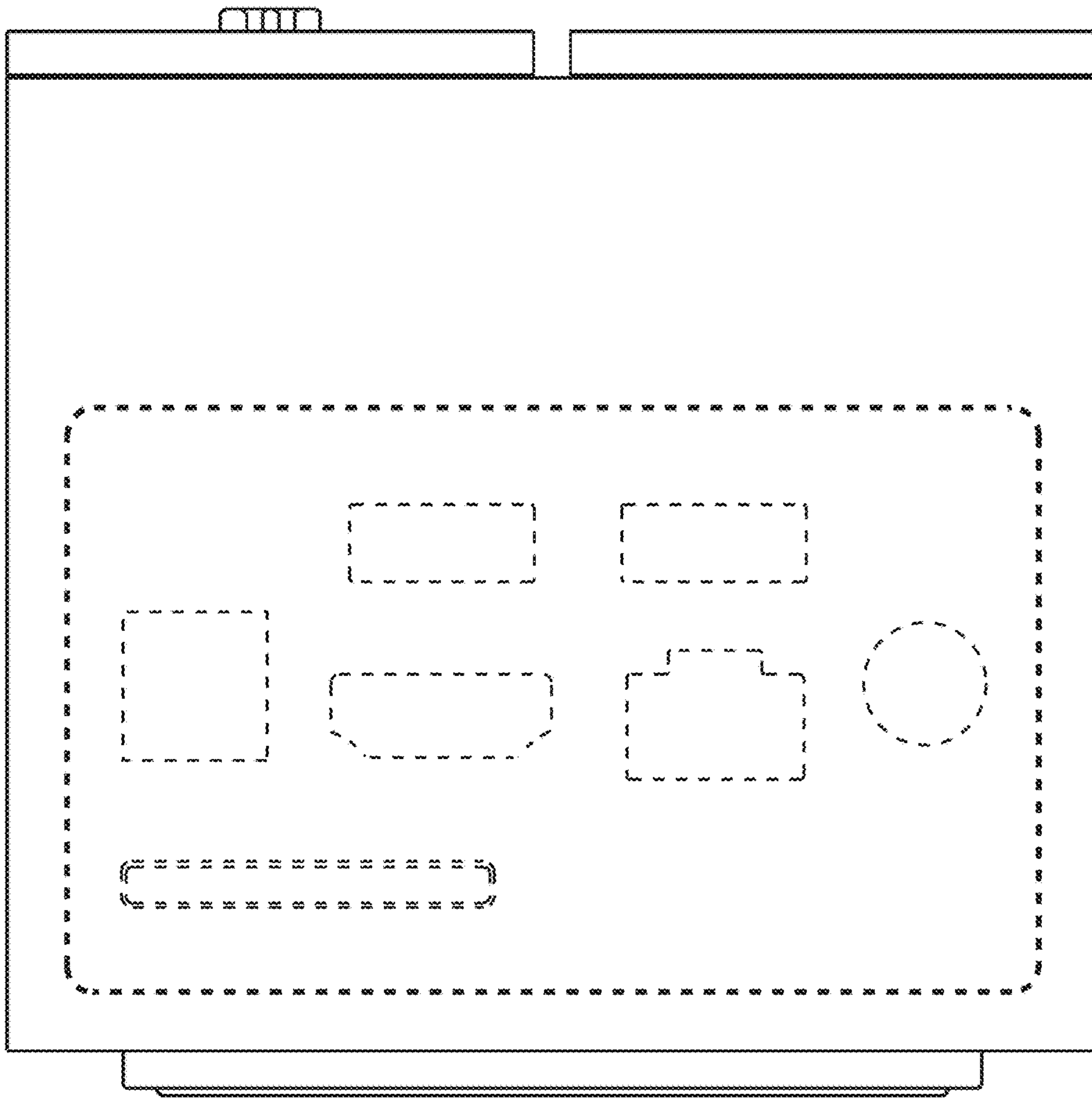


Fig. 4

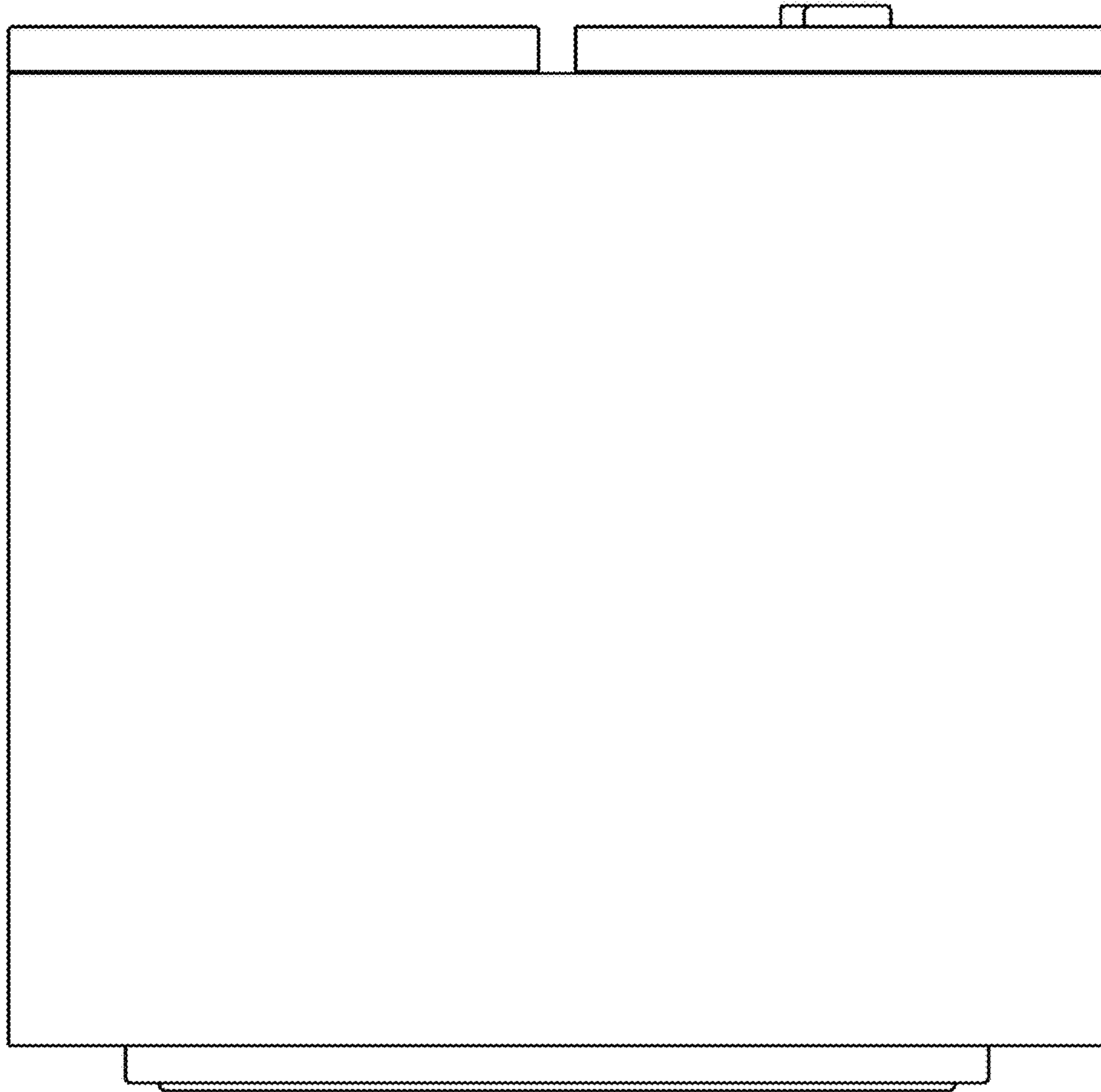


Fig. 5

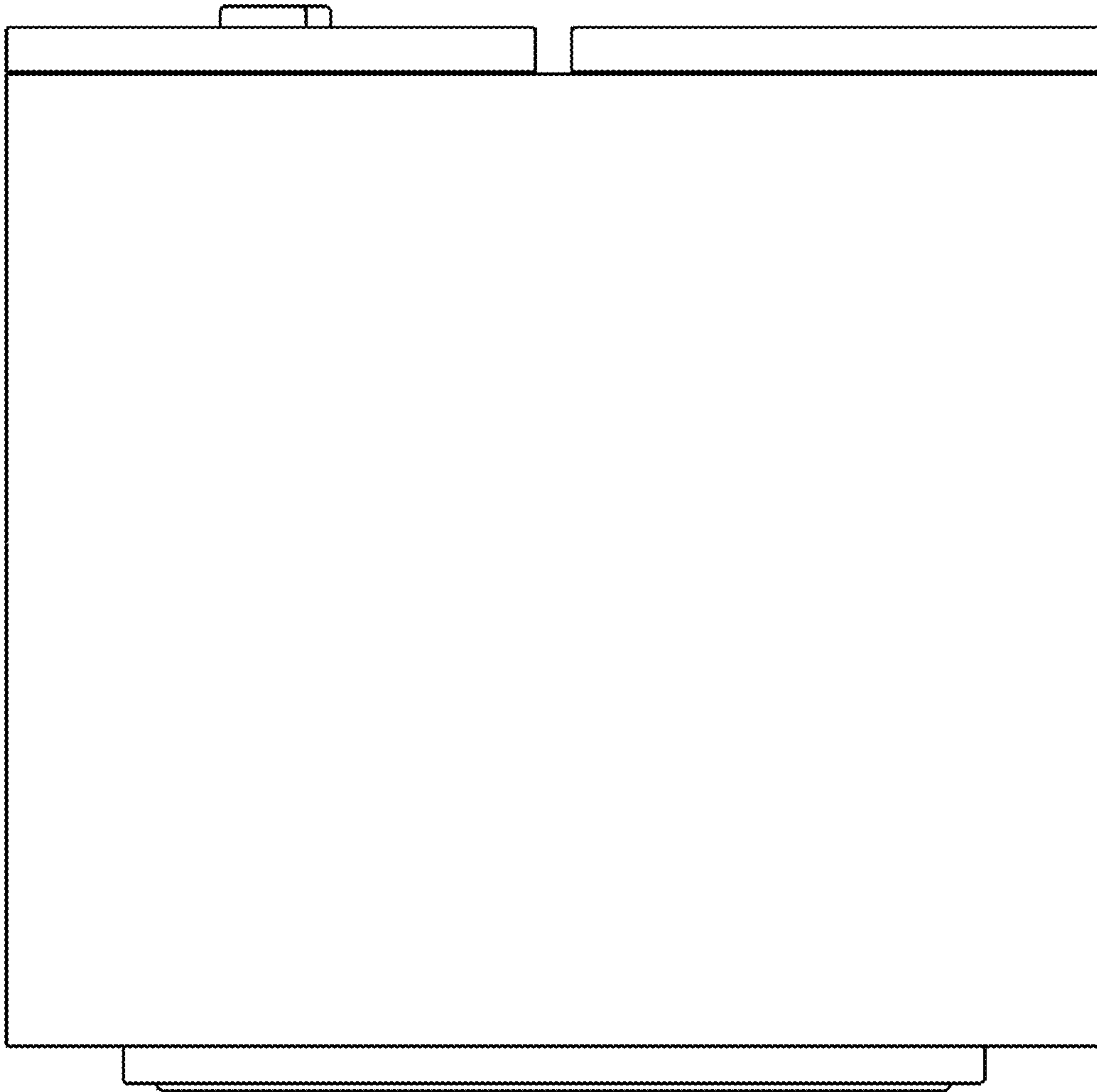


Fig. 6

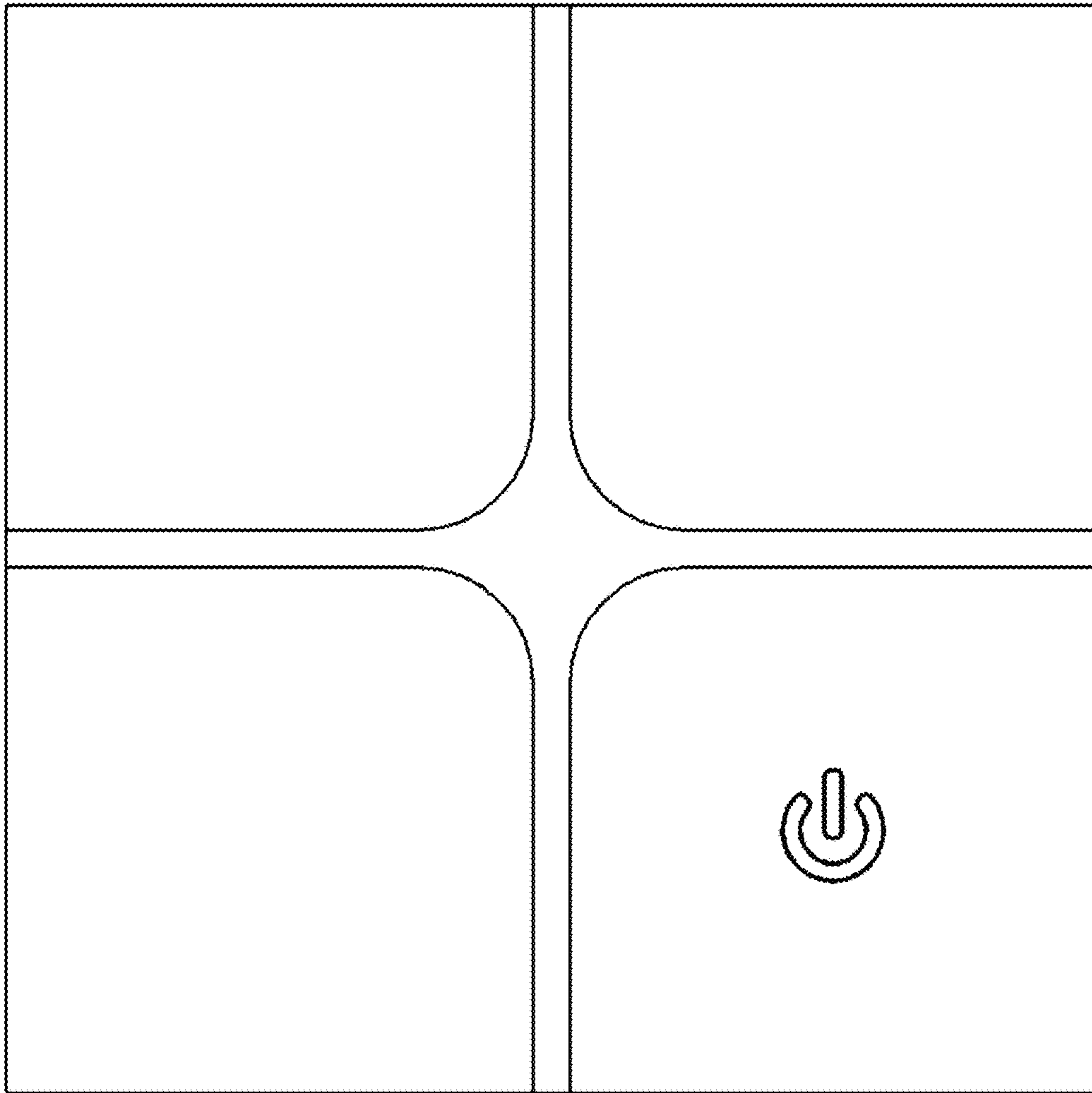


Fig. 7

