



US00D838250S

(12) **United States Design Patent** (10) **Patent No.:** **US D838,250 S**  
**Smith** (45) **Date of Patent:** **\*\* Jan. 15, 2019**

(54) **FLUSH RING SPACER DESIGN FOR ELECTRICAL RECEPTACLES**  
(71) Applicant: **Donald Smith**, Geneva, IL (US)  
(72) Inventor: **Donald Smith**, Geneva, IL (US)  
(73) Assignee: **Donald Smith**, Naperville, IL (US)  
(\*\*) Term: **15 Years**  
(21) Appl. No.: **29/602,784**  
(22) Filed: **May 3, 2017**  
(51) **LOC (11) Cl.** ..... **13-03**  
(52) **U.S. Cl.**  
USPC ..... **D13/156**  
(58) **Field of Classification Search**  
USPC ..... D13/110, 123, 133, 137.1, 139.1, 139.4,  
D13/152, 154, 155, 156, 158, 162, 164,  
D13/169, 173, 177, 184; D8/349-351,  
D8/353; 174/67, 66; D26/26, 51, 85  
CPC ..... H01R 13/447; H01R 13/6395; H01R  
13/639; H01R 13/6397; H02G 3/10;  
H02G 3/12; H01H 9/182; H01H  
2219/006; H01H 2219/044  
See application file for complete search history.

8,772,649 B1 \* 7/2014 Gretz ..... H02G 3/14  
174/480  
D745,850 S \* 12/2015 Gretz ..... D13/152  
9,252,610 B2 \* 2/2016 Chen ..... H02J 7/0042  
D763,235 S \* 8/2016 Brown ..... D14/239  
9,793,648 B2 \* 10/2017 Regnier ..... H05K 7/20509  
D811,348 S \* 2/2018 Cueller ..... D13/152  
D814,424 S \* 4/2018 DeCosta ..... D13/152  
2004/0238197 A1 \* 12/2004 Gates, II ..... H01R 25/006  
174/53  
2011/0067897 A1 \* 3/2011 Peckham ..... H01R 13/447  
174/67

**OTHER PUBLICATIONS**

<http://www.homedepot.com/p/Ideal-Spacers-25-Pack-172451L/202937111>.  
<http://www.homedepot.com/p/ReceptXtenders-1-Gang-3-8-in-Electrical-Receptacle-Box-Extension-Ring-00003/100175417>.  
<https://www.youtube.com/watch?v=nHRiJ3kjYL4>.  
<http://www.secura-lets.com/>.  
<https://www.firefold.com/lvh1>.  
<https://www.google.com/#q=non-metallic+low+voltage+mounting+bracket+existing+construction&tbm=shop&spd=5490109825329670376>.

\* cited by examiner

*Primary Examiner* — Derrick E Holland  
*Assistant Examiner* — Jennifer O King  
(74) *Attorney, Agent, or Firm* — Michael P. Mazza, LLC

(56) **References Cited**

**U.S. PATENT DOCUMENTS**

4,163,882 A 8/1979 Baslow  
4,909,692 A 3/1990 Hendren  
D381,958 S \* 8/1997 Chen ..... D13/154  
5,934,935 A \* 8/1999 Kameyama ..... H02B 1/04  
439/535  
6,093,890 A \* 7/2000 Gretz ..... H02G 3/123  
174/480  
D448,350 S \* 9/2001 Bentz ..... D13/152  
D529,787 S \* 10/2006 Swiencicki ..... D8/350  
D584,236 S \* 1/2009 Wegner ..... D13/152  
8,067,703 B1 \* 11/2011 Gretz ..... H02G 3/22  
174/53  
8,445,780 B1 \* 5/2013 Robins ..... H02G 3/14  
174/481

(57) **CLAIM**

The ornamental design for a flush ring spacer design for electrical receptacles, as shown and described.

**DESCRIPTION**

FIG. 1 is a top and side perspective view of a flush ring spacer design for electrical receptacles;  
FIG. 2 is a front view thereof;  
FIG. 3 is a left-side view thereof;  
FIG. 4 is a top view thereof; and,  
FIG. 5 is a rear view thereof.

**1 Claim, 1 Drawing Sheet**

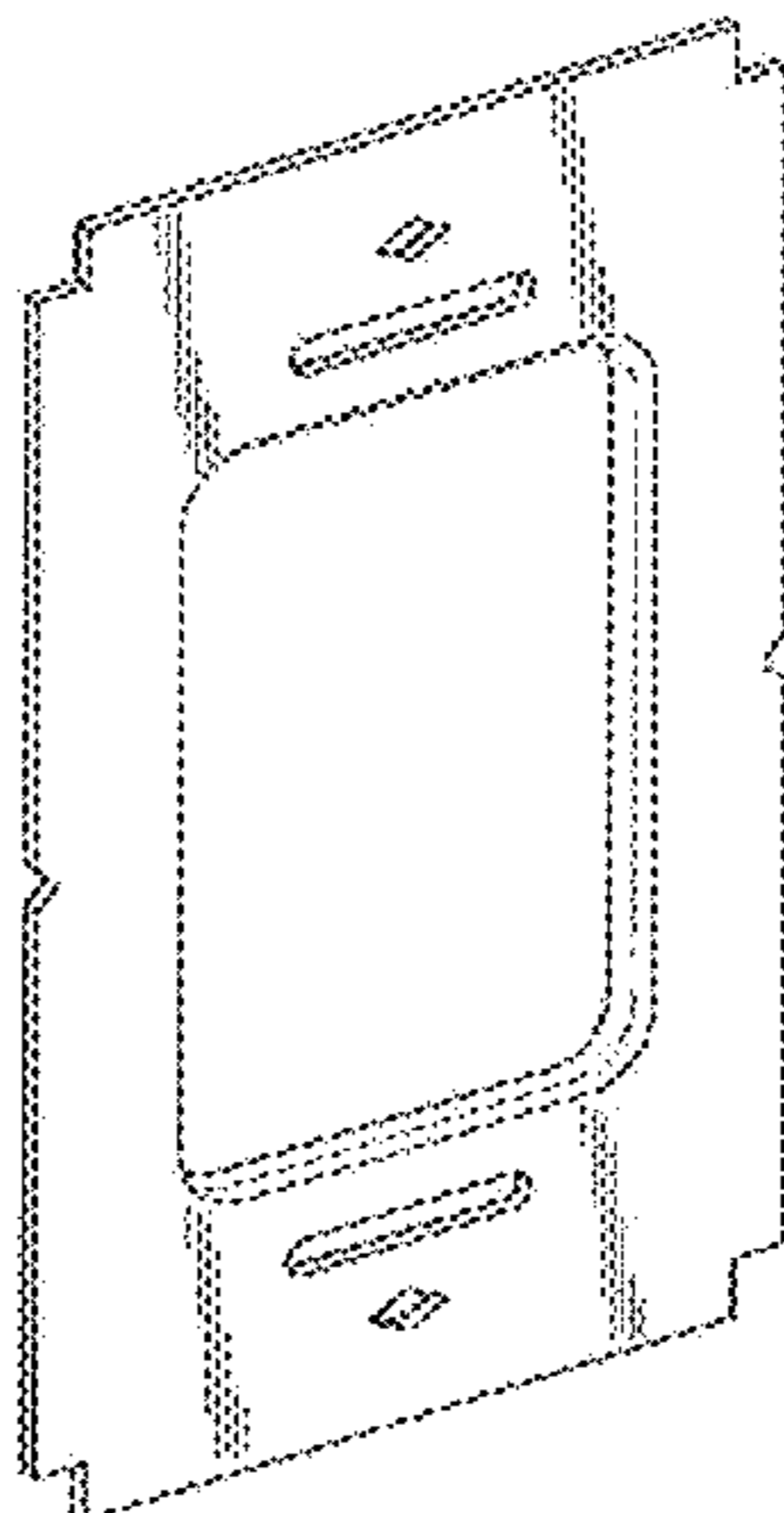


Fig. 1

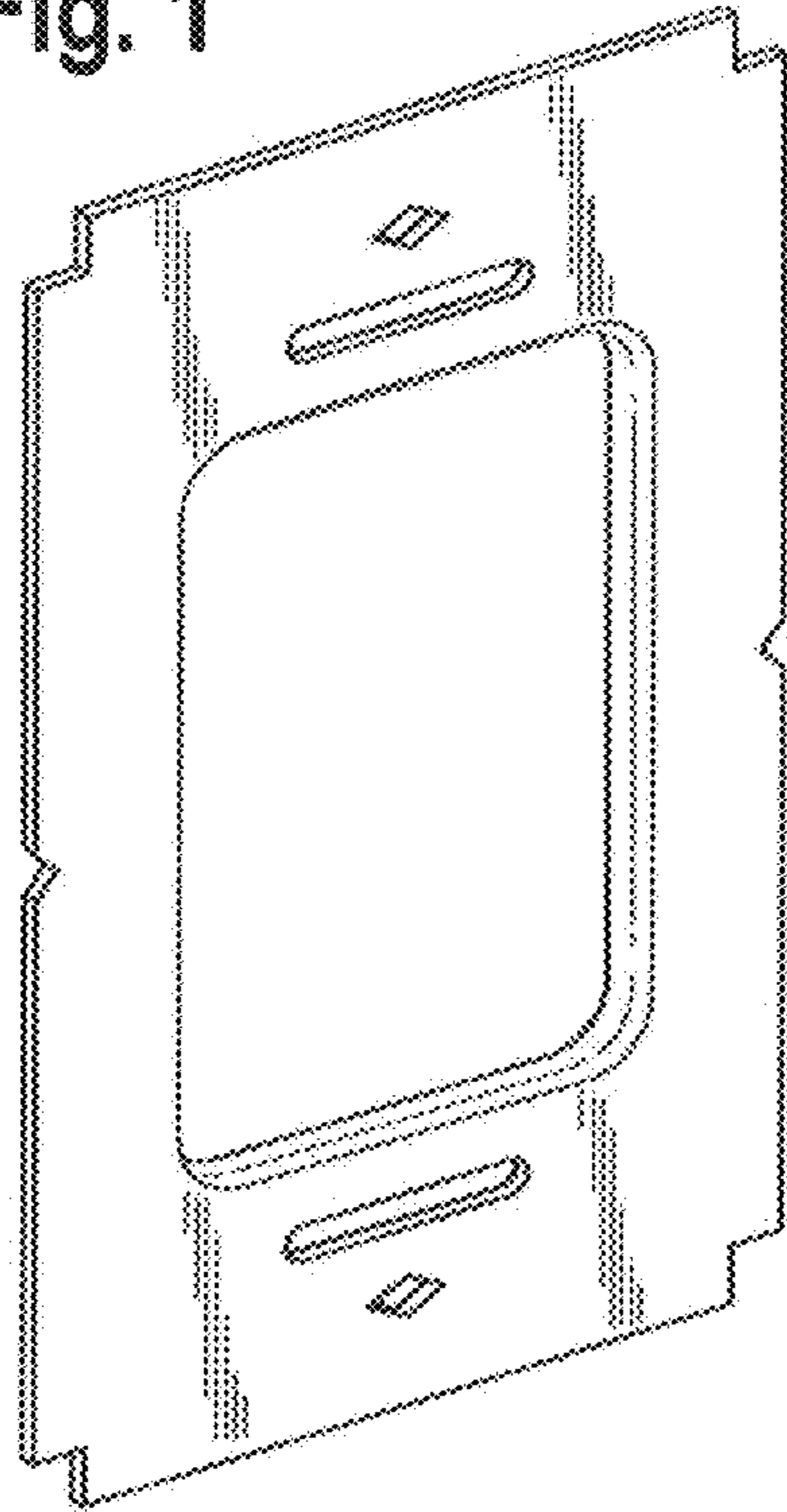


Fig. 3

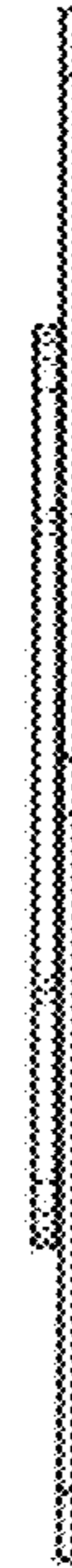


Fig. 4

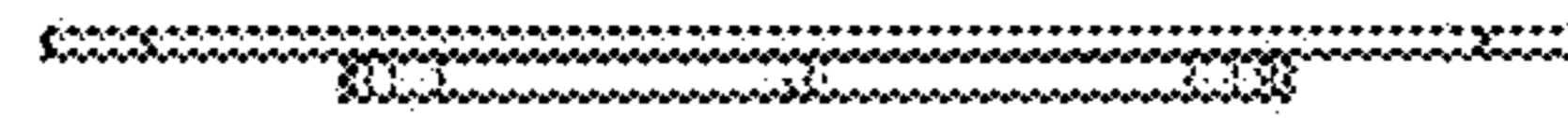


Fig. 2

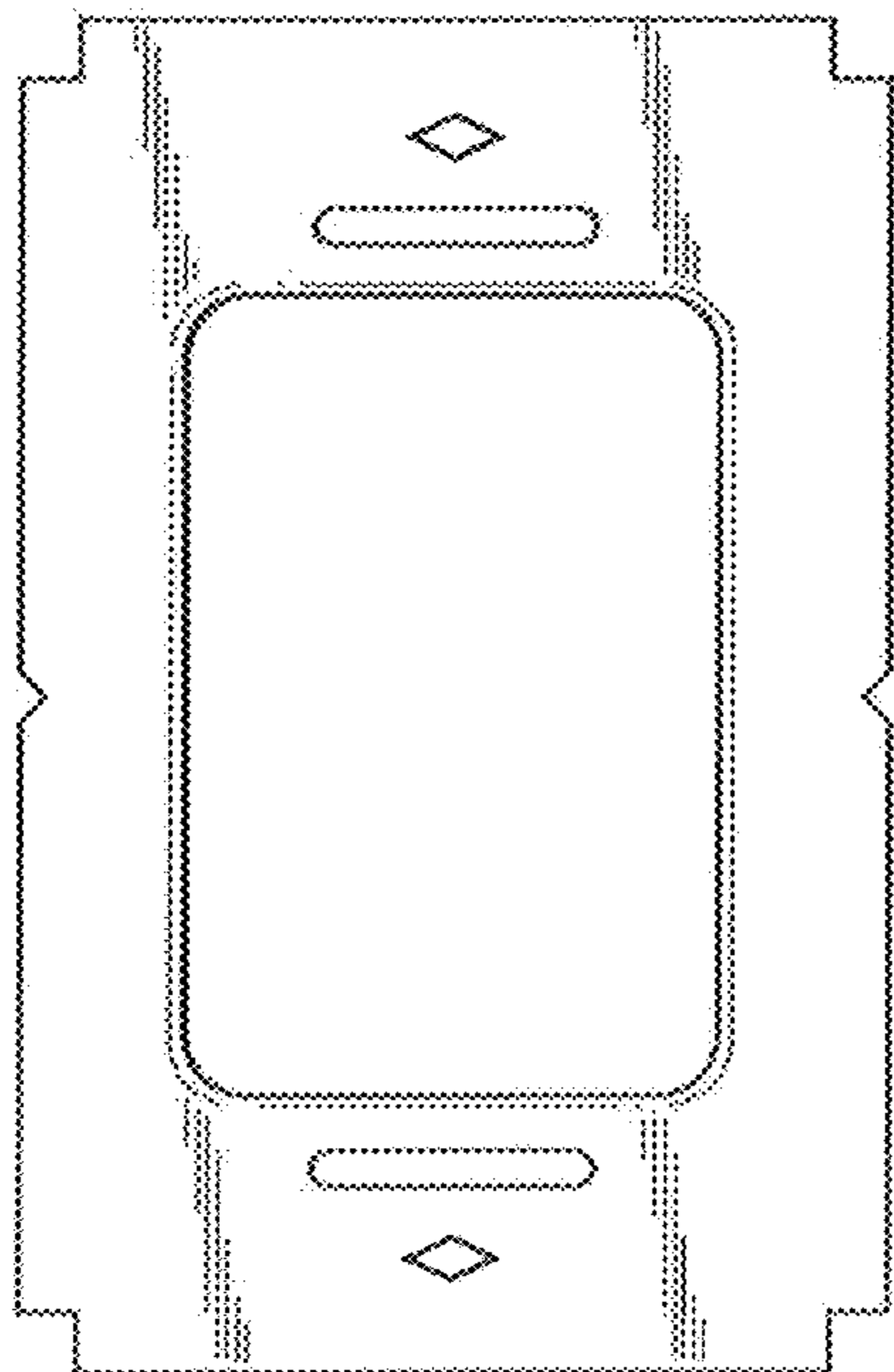


Fig. 5

