



US00D838249S

(12) **United States Design Patent** (10) **Patent No.:** **US D838,249 S**
Maroney et al. (45) **Date of Patent:** **** Jan. 15, 2019**

(54) **TORQUE SLEEVE**
(71) Applicant: **PPC Broadband, Inc.**, East Syracuse, NY (US)
(72) Inventors: **Richard Maroney**, Camillus, NY (US); **Harold Watkins**, Chittenango, NY (US); **Steve Stankovski**, Clay, NY (US)
(73) Assignee: **PPC BROADBAND, INC.**, East Syracuse, NY (US)

(**) Term: **15 Years**

(21) Appl. No.: **29/633,987**

(22) Filed: **Jan. 17, 2018**

(51) **LOC (11) Cl.** **13-03**

(52) **U.S. Cl.**
USPC **D13/154; D13/150; D13/133**

(58) **Field of Classification Search**
USPC D13/118, 123, 133, 148–151, 153–156, D13/173, 184, 199; D8/330, 339, 382, D8/383, 387, 396; D23/259, 262; D24/107, 127, 129
CPC F16B 41/00; F16B 41/002; H01R 4/00; H01R 4/24; H01R 4/38; H01R 9/05; H01R 9/0524; H01R 11/03; H01R 12/00; H01R 13/00; H01R 13/40; H01R 13/44; H01R 13/52; H01R 13/62; H01R 13/622; H01R 13/639; H01R 24/525; H01R 43/16

See application file for complete search history.

(56) **References Cited**

U.S. PATENT DOCUMENTS

D239,175 S * 3/1976 Mouttet D13/133
D313,222 S * 12/1990 Takizawa D13/133
D366,863 S * 2/1996 Lee D13/133
D371,342 S * 7/1996 Lundback D13/151
D458,904 S * 6/2002 Montena D13/154
D584,235 S * 1/2009 Montena D13/133
D600,210 S * 9/2009 Snyder D13/133

D606,390 S * 12/2009 Chen D8/383
D649,862 S * 12/2011 Arvinte D8/339
D698,219 S * 1/2014 Lee D8/107
D704,138 S * 5/2014 Popper D13/133
D726,123 S * 4/2015 Su D13/154
D773,001 S * 11/2016 Sweney D22/108
D795,421 S * 8/2017 Ratner D24/129
2010/0130061 A1 * 5/2010 Snyder H01R 9/05
439/584

OTHER PUBLICATIONS

PCT International RG-6 Tri-shield Coax TRS-6L Cnnection with Torque Sleeve, dated Dec. 5, 2014, [online], [site visited Aug. 14, 2018]. Available from Internet, <URL: <https://www.amazon.com/PCT-International-Tri-Shield-Cnnection-Domestic/dp/B00QMKWVYU>> (Year: 2014).*

PCT Torque Sleeve Tutorial, dated Jun. 18, 2012, [online], [site visited Aug. 14, 2018]. Available from Internet, <URL: <https://www.youtube.com/watch?v=F1dCudMel6o>> (Year: 2012).*

* cited by examiner

Primary Examiner — Angela J Lee
Assistant Examiner — Shawn T Gingrich
(74) *Attorney, Agent, or Firm* — Oliff PLC

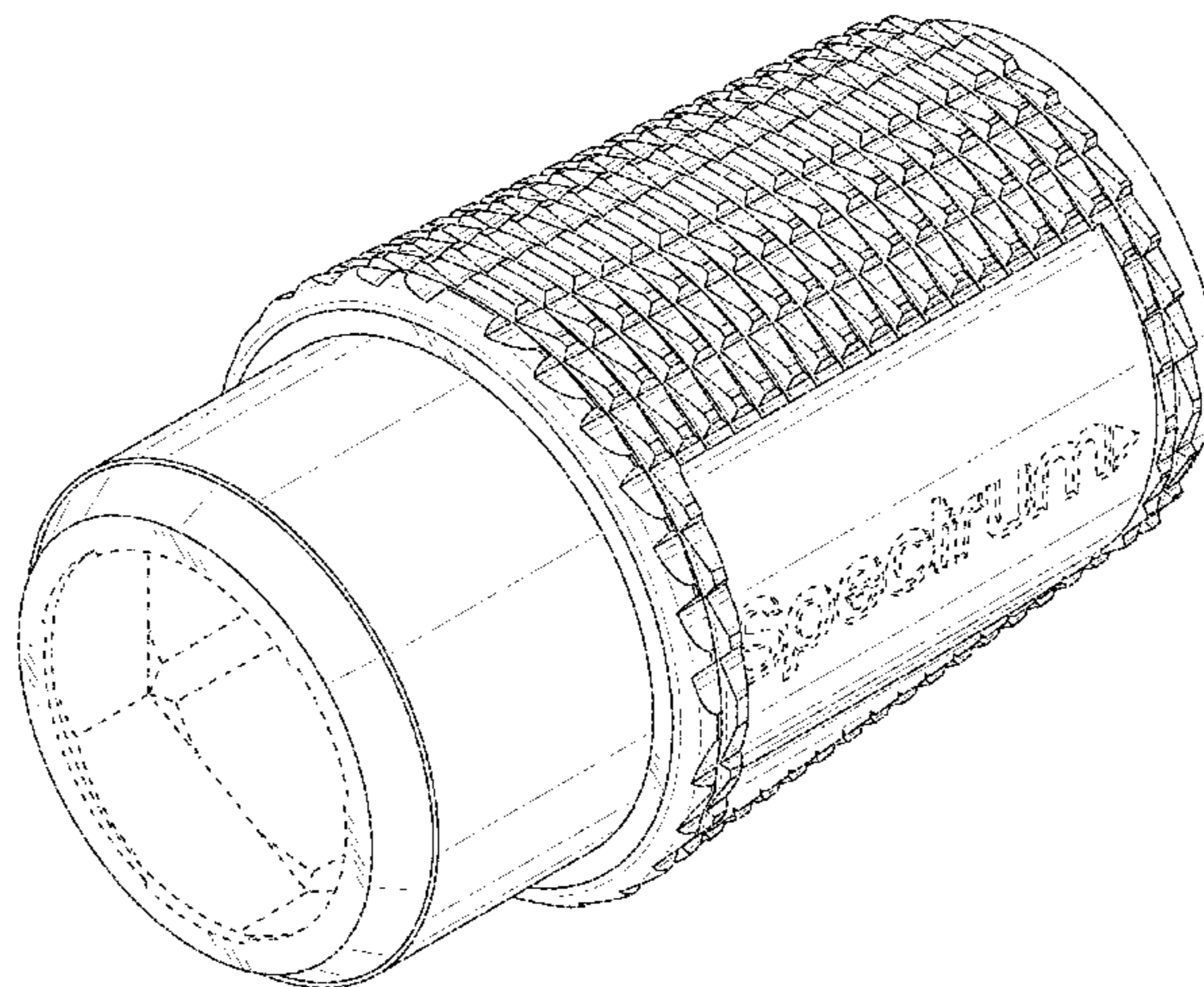
(57) **CLAIM**

The ornamental design for a torque sleeve, as shown and described.

DESCRIPTION

FIG. 1 is a front, top, left-side view of the torque sleeve; FIG. 2 is a front elevational view thereof; FIG. 3 is a rear elevational view thereof; FIG. 4 is a right-side elevational view thereof; FIG. 5 is a left-side elevational view thereof; FIG. 6 is a top plan view thereof; and, FIG. 7 is a bottom plan view thereof. The broken lines in the drawings depict portions of the torque sleeve that form no part of the claimed design.

1 Claim, 7 Drawing Sheets



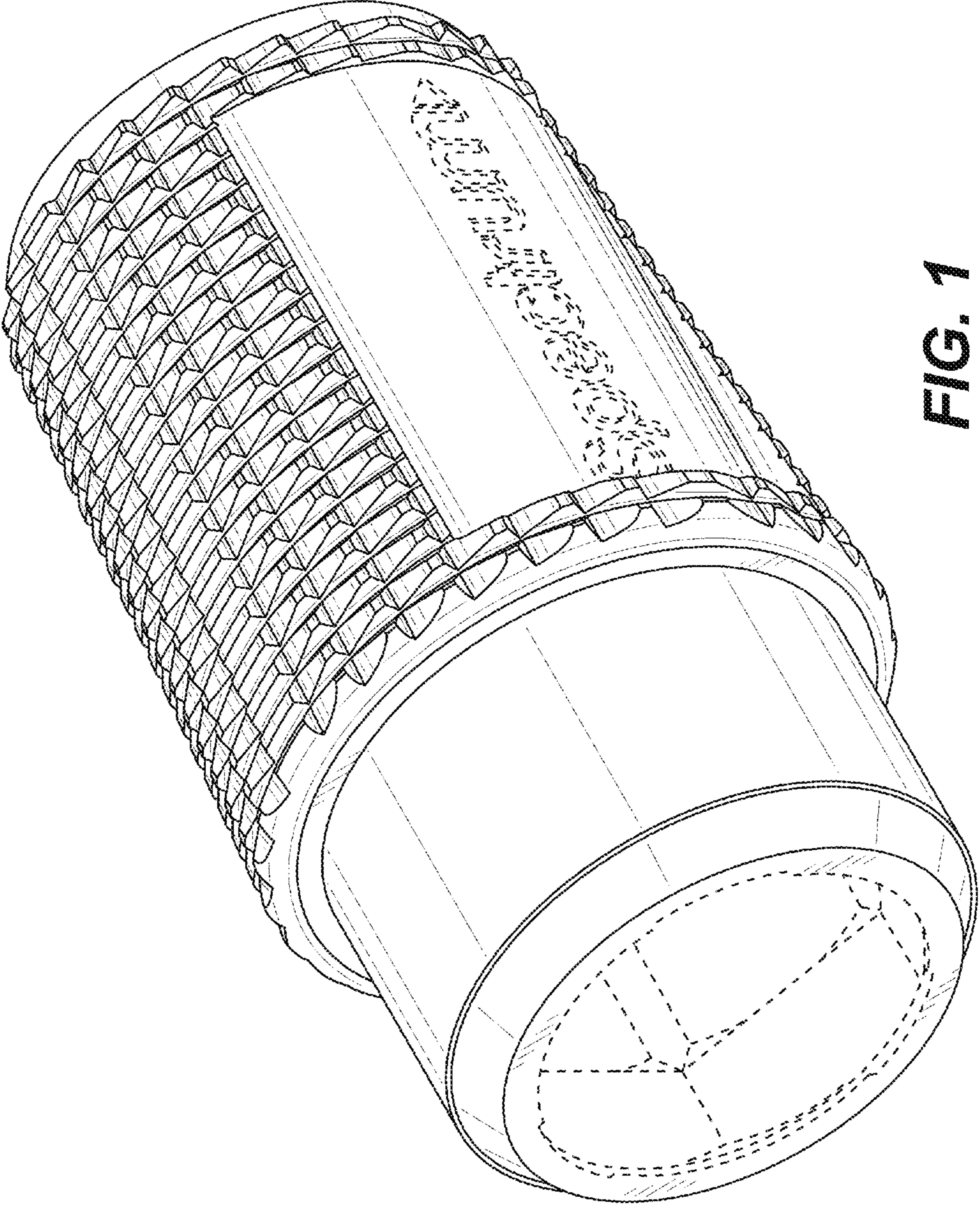


FIG. 1

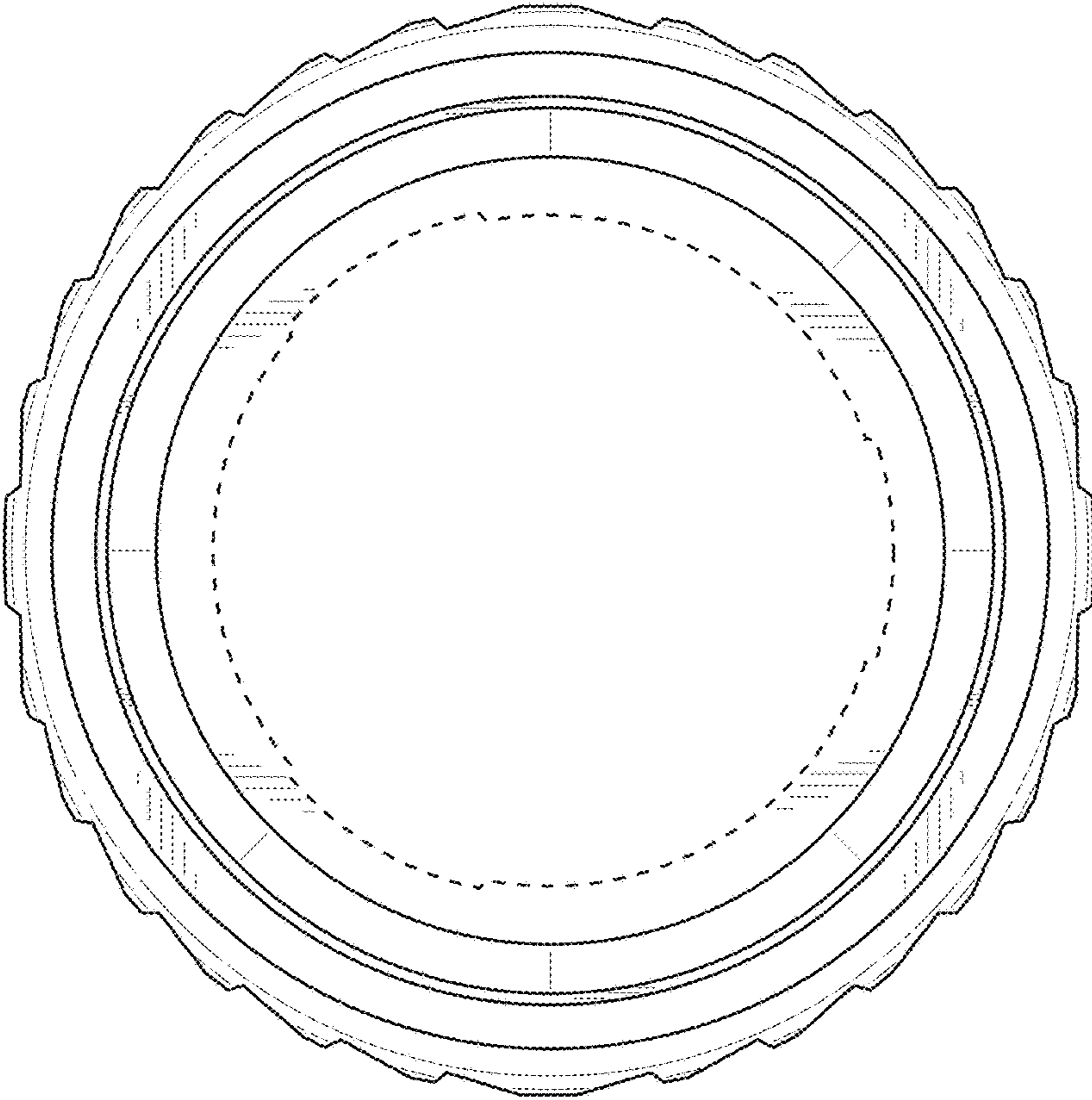


FIG. 2

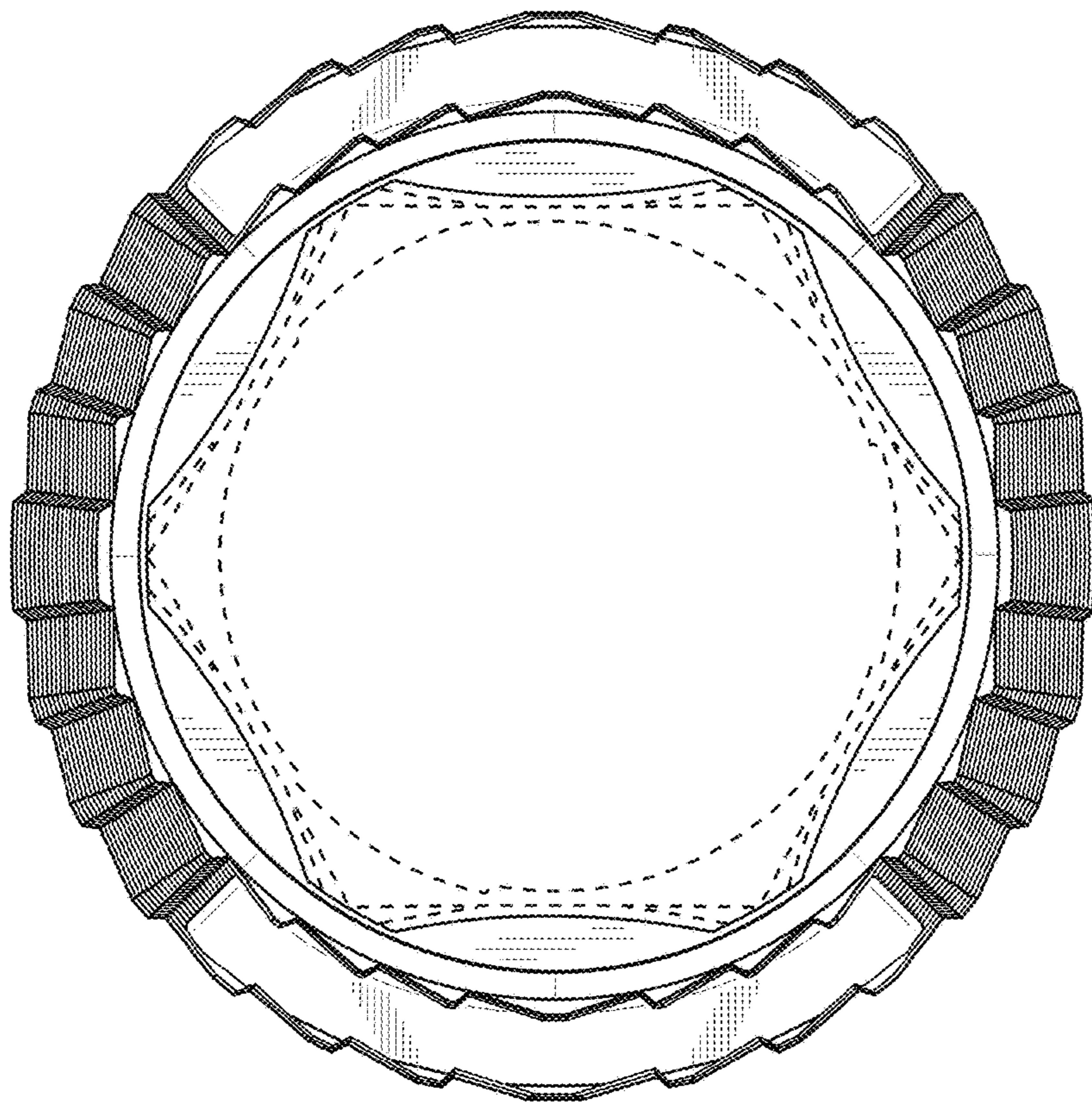


FIG. 3

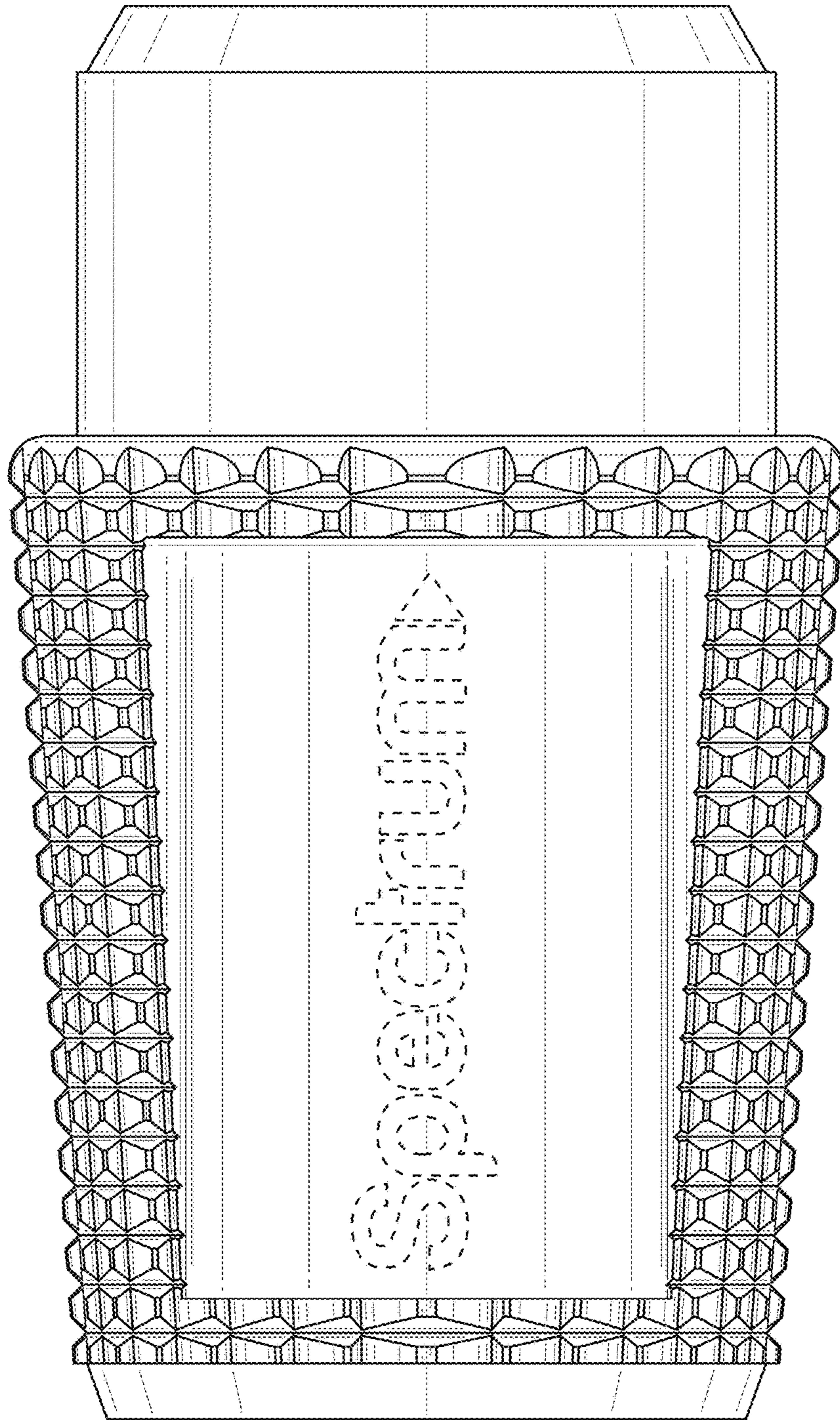


FIG. 4

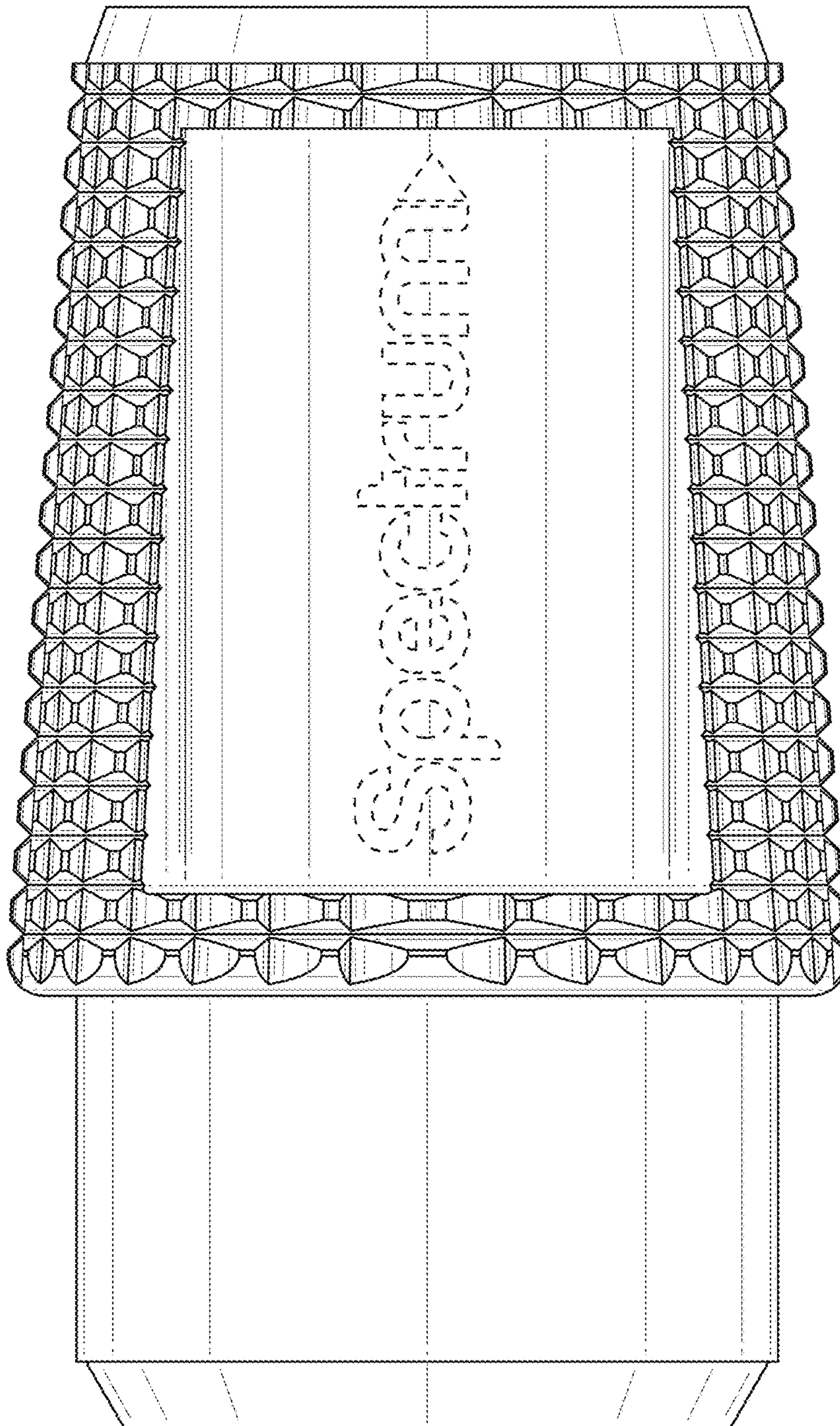


FIG. 5

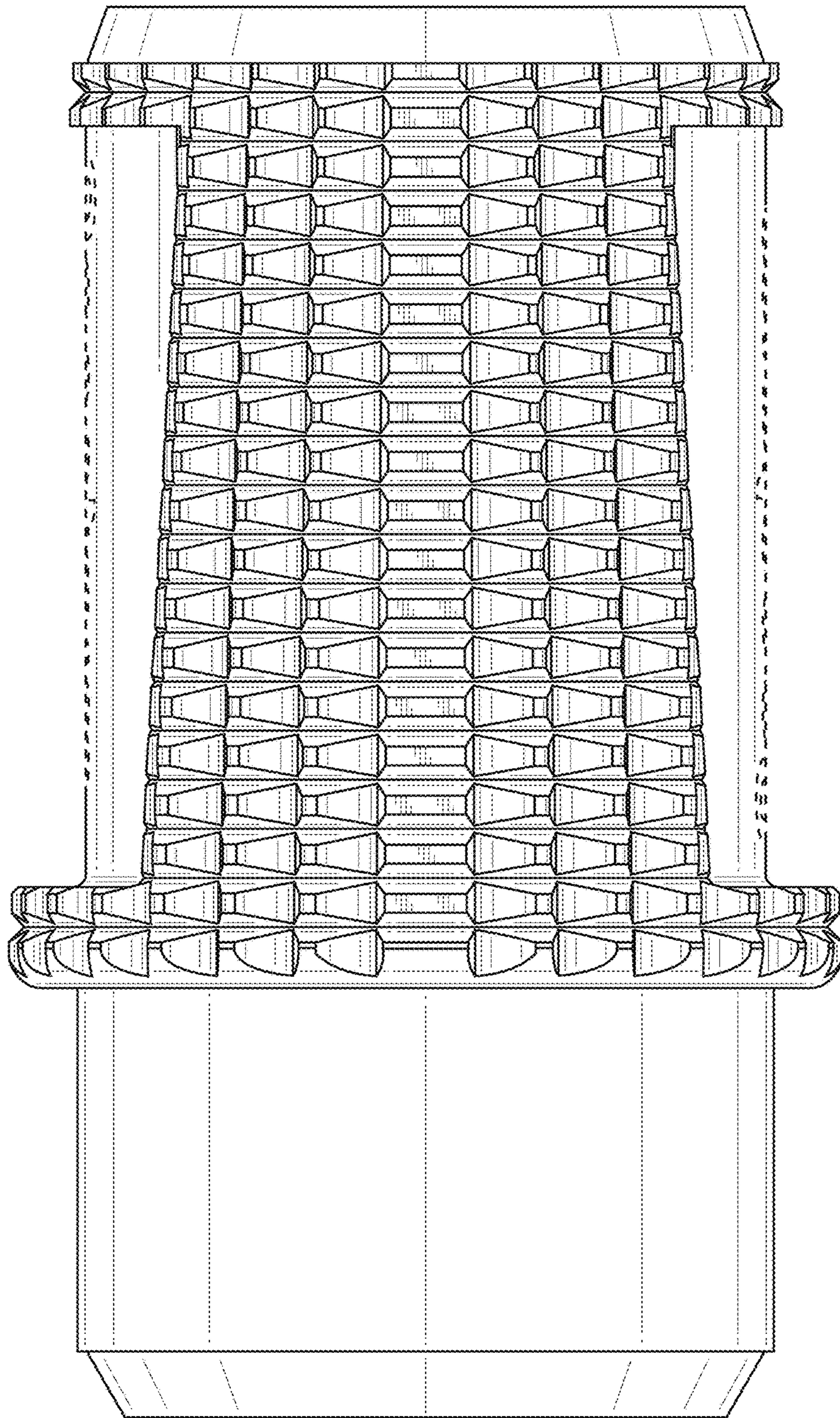


FIG. 6

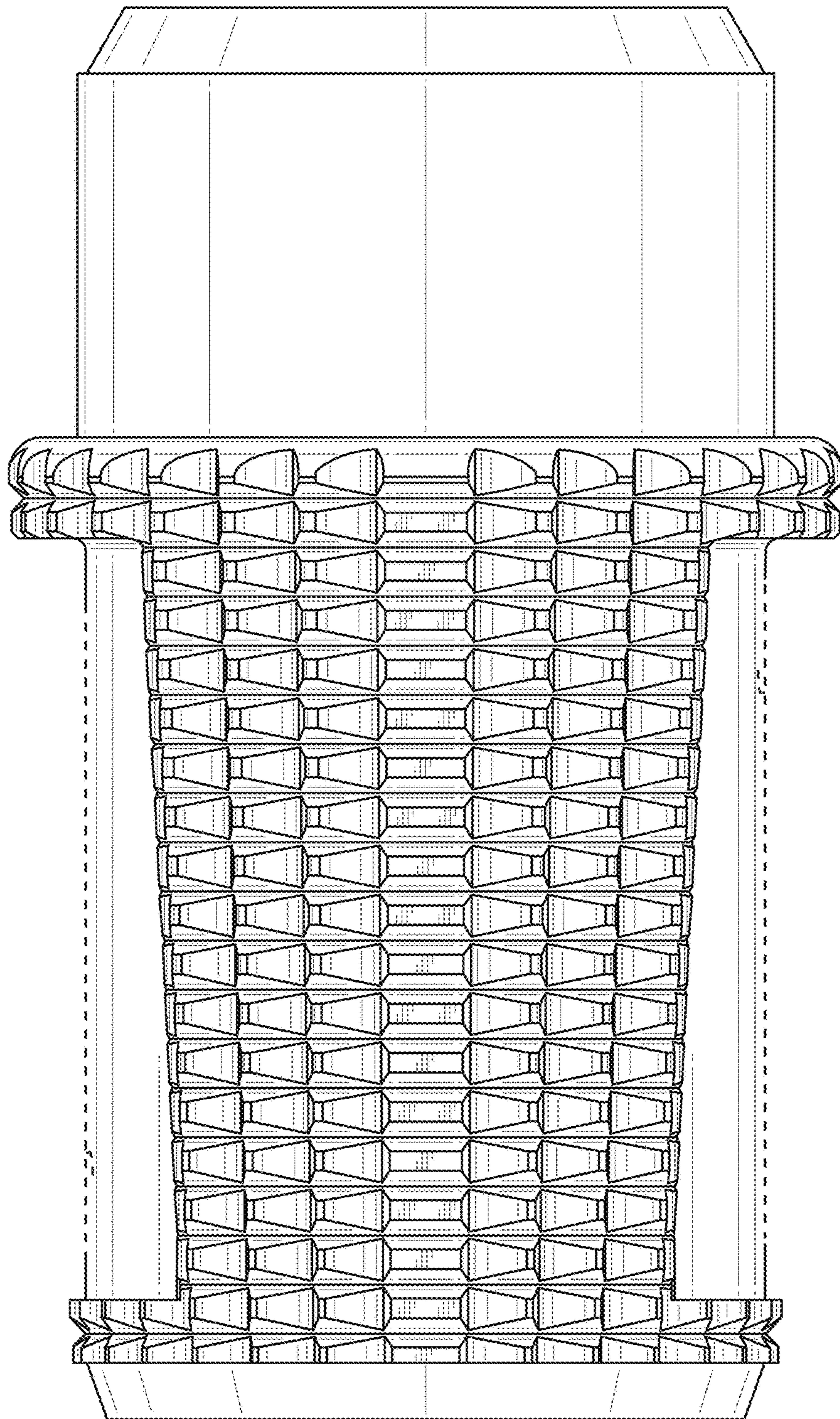


FIG. 7