



US00D838246S

(12) **United States Design Patent** (10) **Patent No.:** **US D838,246 S**
Miller et al. (45) **Date of Patent:** **** Jan. 15, 2019**

(54) **CAR CHARGER AND MOUNT FOR HAND-HELD ELECTRONIC DEVICES**

(71) Applicant: **Halo International Sezc Ltd.**,
Georgetown, Grand Cayman (KY)

(72) Inventors: **Garold C. Miller**, Hartford, CT (US);
Nathan Daniel Weinstein, Hartford, CT (US)

(73) Assignee: **Halo International SEZC Ltd.**,
Georgetown (KY)

(**) Term: **15 Years**

(21) Appl. No.: **29/624,251**

(22) Filed: **Oct. 31, 2017**

(51) **LOC (11) Cl.** **13-03**

(52) **U.S. Cl.**
USPC **D13/144**

(58) **Field of Classification Search**
USPC D13/144, 107, 110, 118, 119, 120, 133,
D13/154, 184, 199; D14/155, 217, 433,
D14/434; 320/65, 107, 108, 109;
363/13, 146; 439/300, 620, 638, 668,
439/669, 675, 825
CPC H01R 24/58; H01R 2201/26; H01R 31/02;
B60R 11/0241
See application file for complete search history.

(56) **References Cited**

U.S. PATENT DOCUMENTS

5,988,572 A	11/1999	Chivallier et al.	
6,073,901 A	6/2000	Richter	
6,840,485 B2 *	1/2005	Richter	B60R 11/00 248/311.2
D522,843 S	6/2006	Richter	
D529,905 S	10/2006	Richter	
D535,978 S	1/2007	Hussaini et al.	
D544,487 S	6/2007	Hussaini et al.	

D559,227 S	1/2008	Kim	
D569,876 S	5/2008	Griffin	
D654,054 S	2/2012	Kohte et al.	
D666,614 S	9/2012	Ding	
D677,261 S *	3/2013	Hsu	D14/447
D685,366 S	7/2013	Ding	
D690,306 S	9/2013	Malisse et al.	
D711,322 S	8/2014	McSweyn et al.	
D712,394 S	9/2014	Booth et al.	
D731,973 S	6/2015	Liu	
D733,697 S	7/2015	Palan et al.	
D749,596 S *	2/2016	Khodapanah	D14/447
D750,612 S	3/2016	Chen	
D753,643 S	4/2016	Kim et al.	
D765,070 S *	8/2016	Franklin	D14/253
D777,675 S *	1/2017	Miller	D13/144

(Continued)

Primary Examiner — Derrick E Holland

Assistant Examiner — Jennifer O King

(74) *Attorney, Agent, or Firm* — McCormick, Paulding & Huber LLP

(57) **CLAIM**

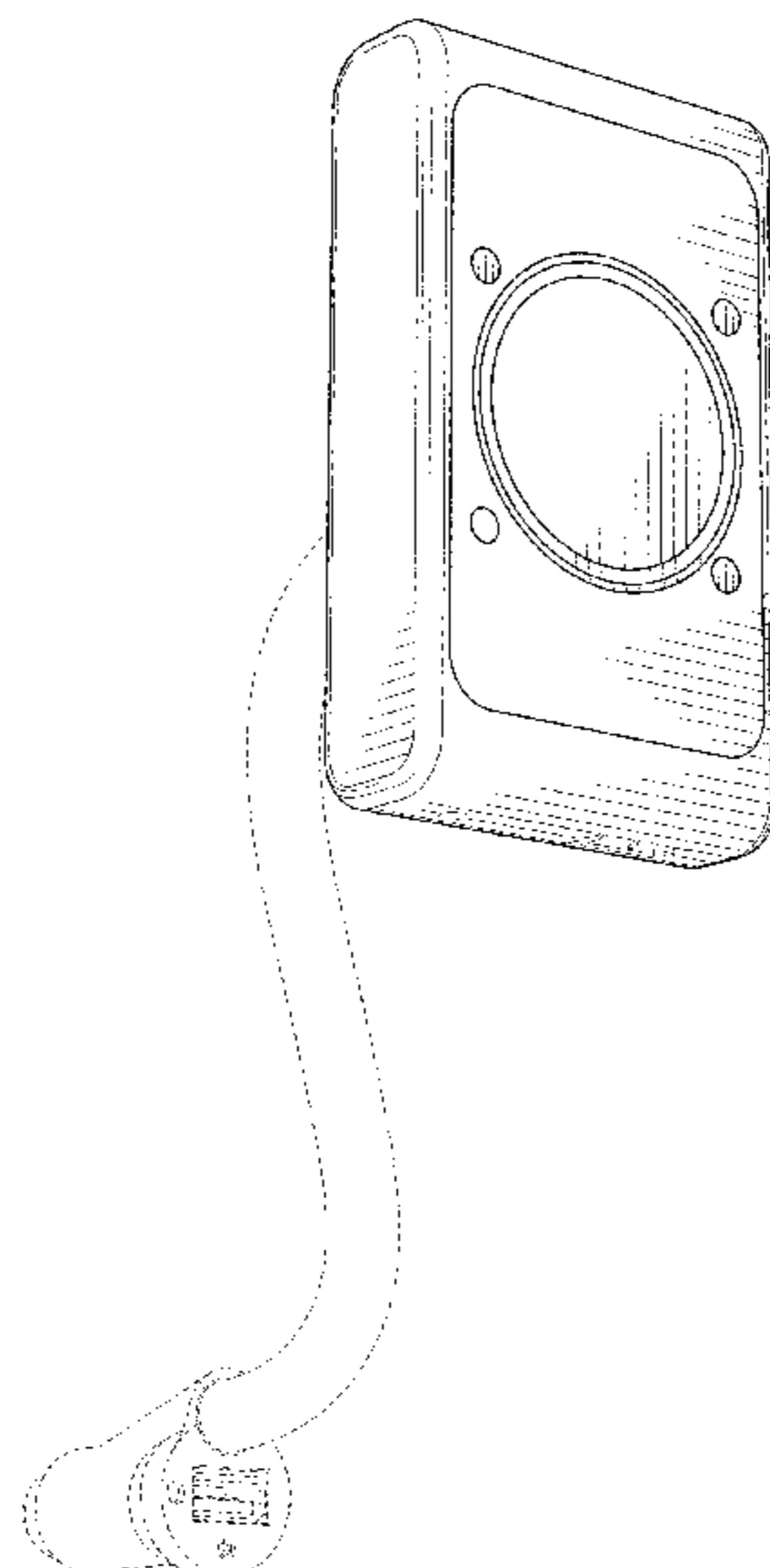
The ornamental design for a car charger and mount for hand-held electronic devices, substantially as shown and described.

DESCRIPTION

FIG. 1 is a front, bottom perspective view of a car charger and mount for hand-held electronic devices comprising a new, original and ornamental design;
FIG. 2 is a front view thereof;
FIG. 3 is a rear view thereof;
FIG. 4 is a right side view thereof;
FIG. 5 is a left side view thereof;
FIG. 6 is a top view thereof; and,
FIG. 7 is a bottom view thereof.

The broken lines shown represent portions of the car charger and mount for hand-held electronic devices that form no part of the claimed design.

1 Claim, 10 Drawing Sheets



(56)

References Cited

U.S. PATENT DOCUMENTS

D792,416 S * 7/2017 Tsai D14/447
D817,269 S * 5/2018 Sukphist D13/108
2002/0176571 A1 11/2002 Louh
2002/0191782 A1 12/2002 Beger et al.
2009/0186576 A1 7/2009 Peng
2011/0255226 A1 10/2011 Duncan Seil et al.
2013/0112838 A1 5/2013 Duncan Seil et al.

* cited by examiner

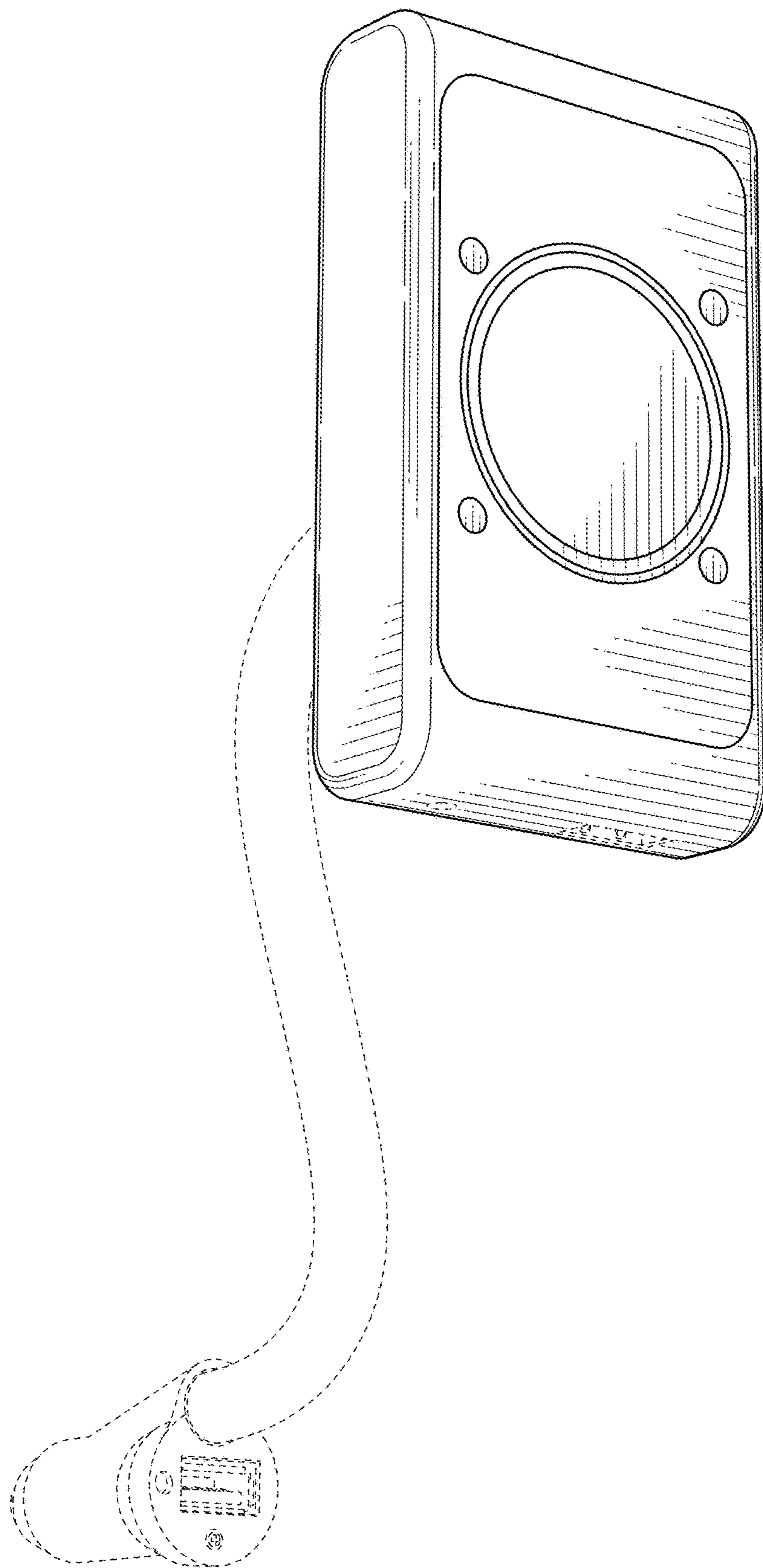


FIG. 1

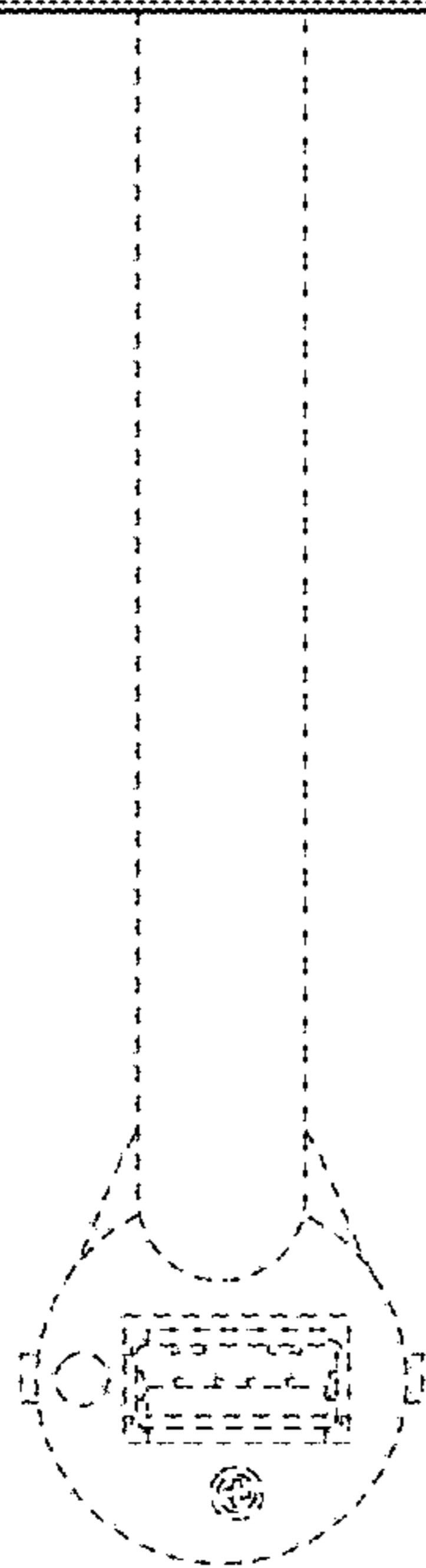
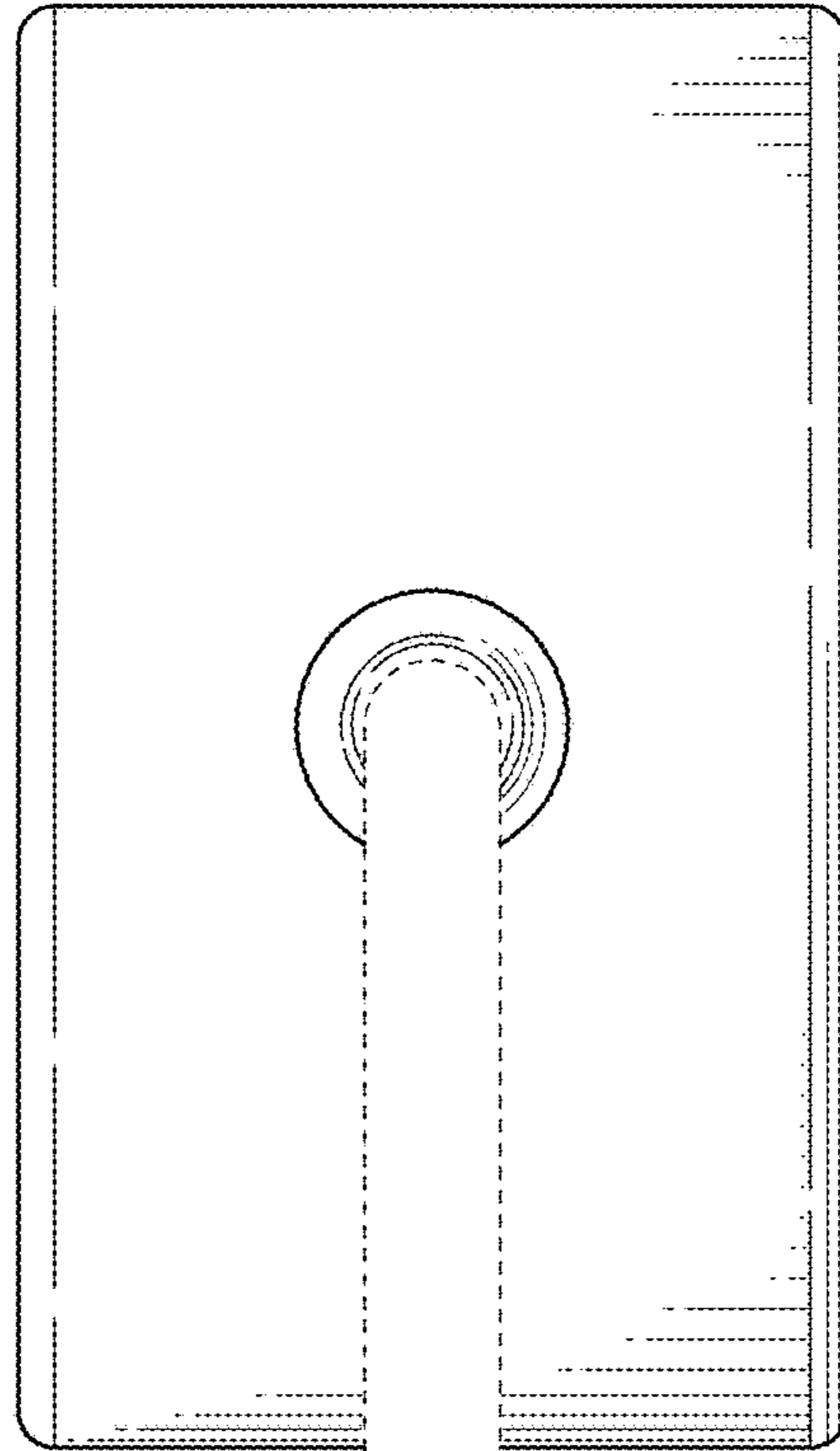
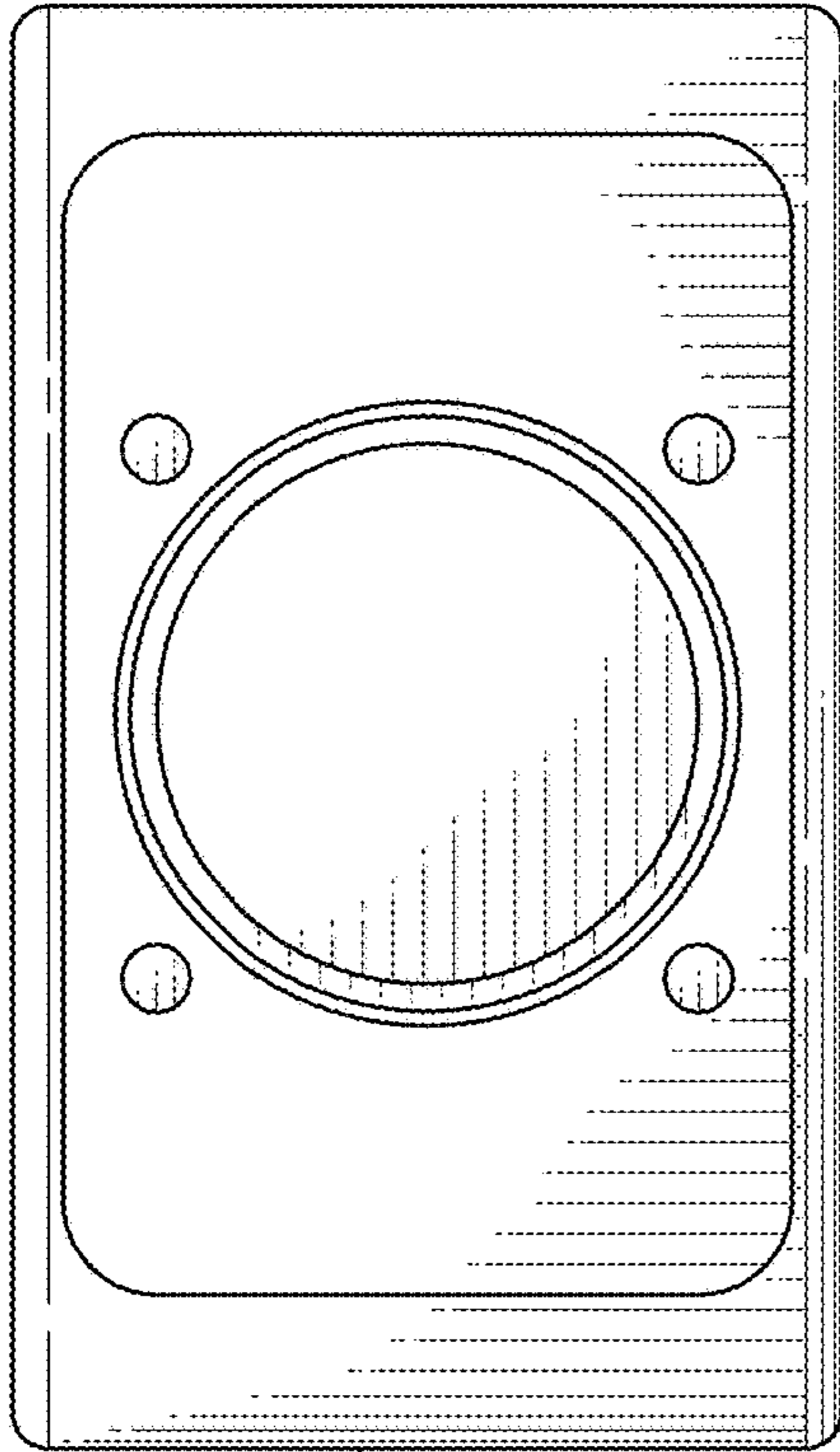


FIG. 2

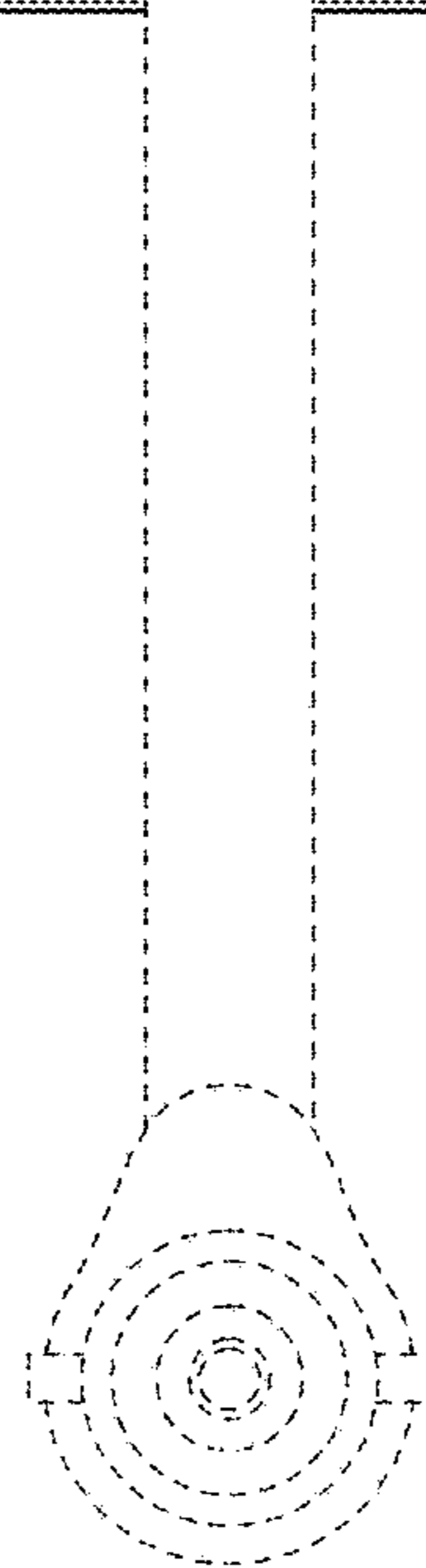


FIG. 3

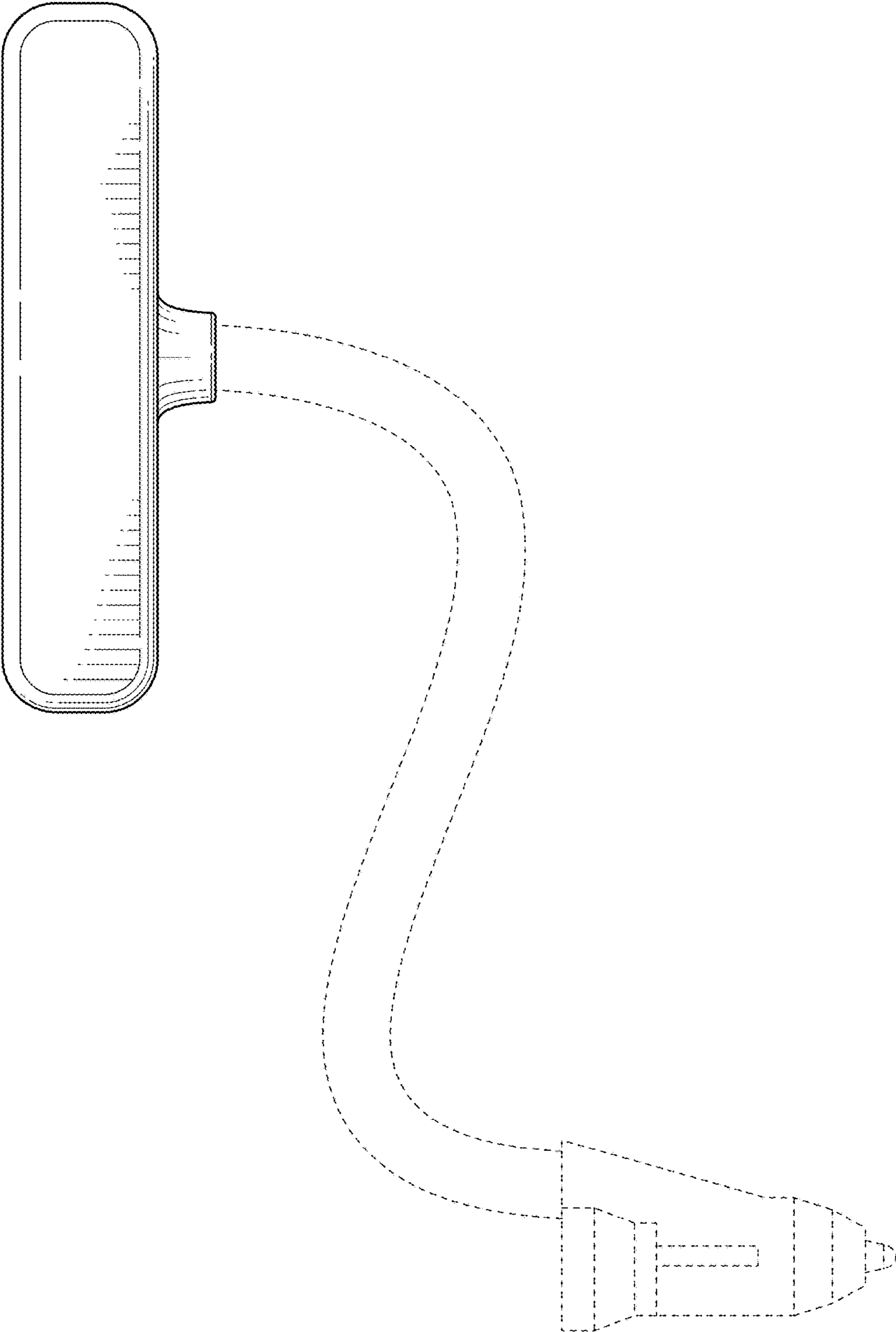


FIG. 4

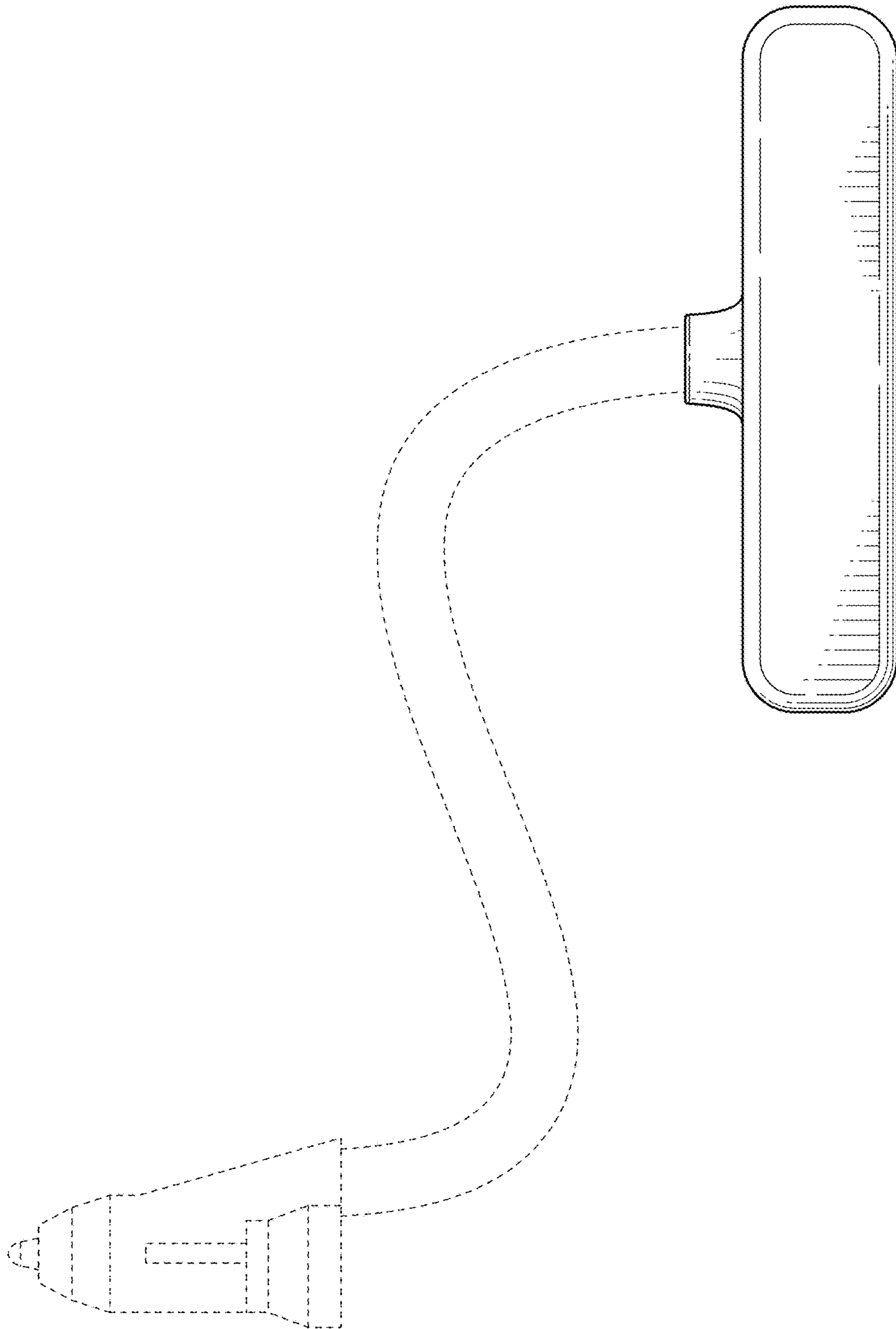


FIG. 5

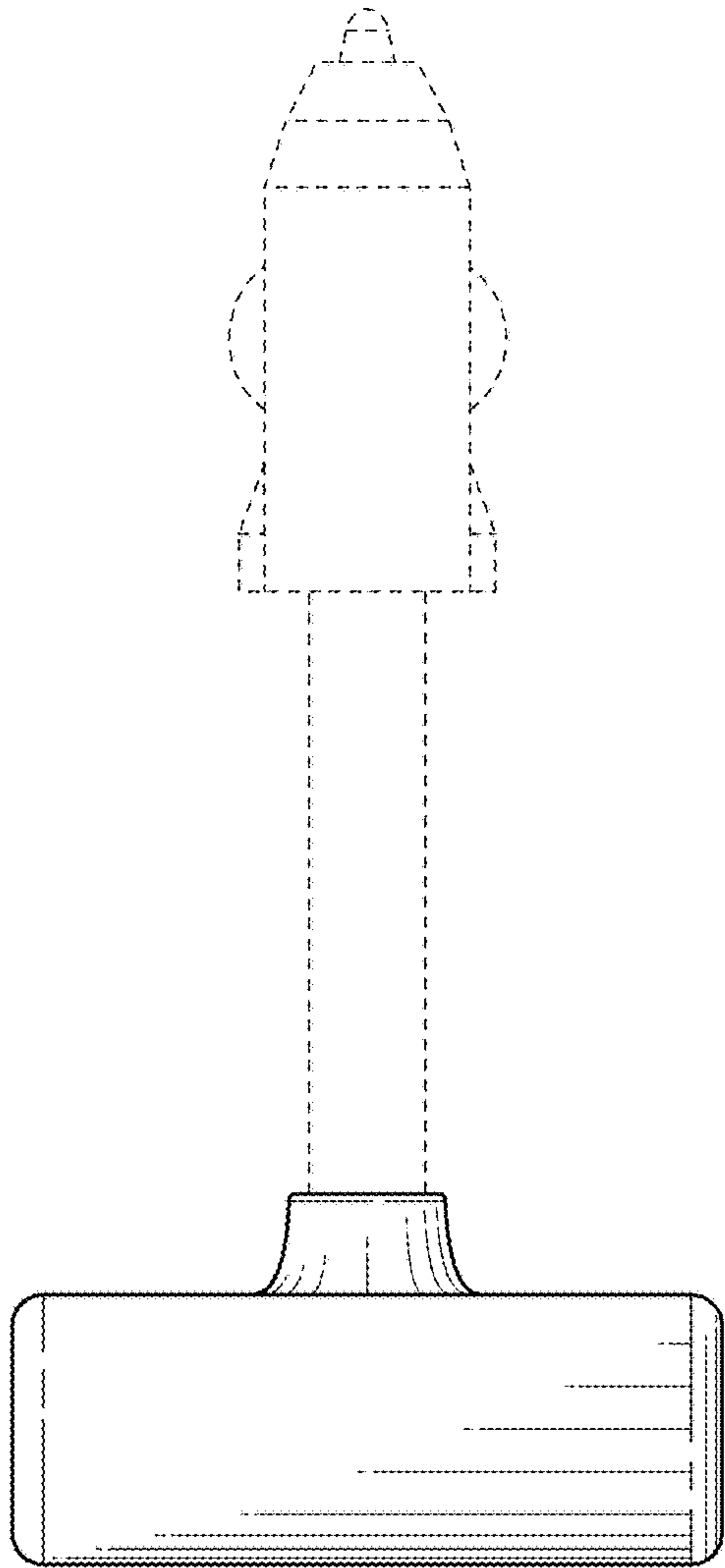


FIG. 6

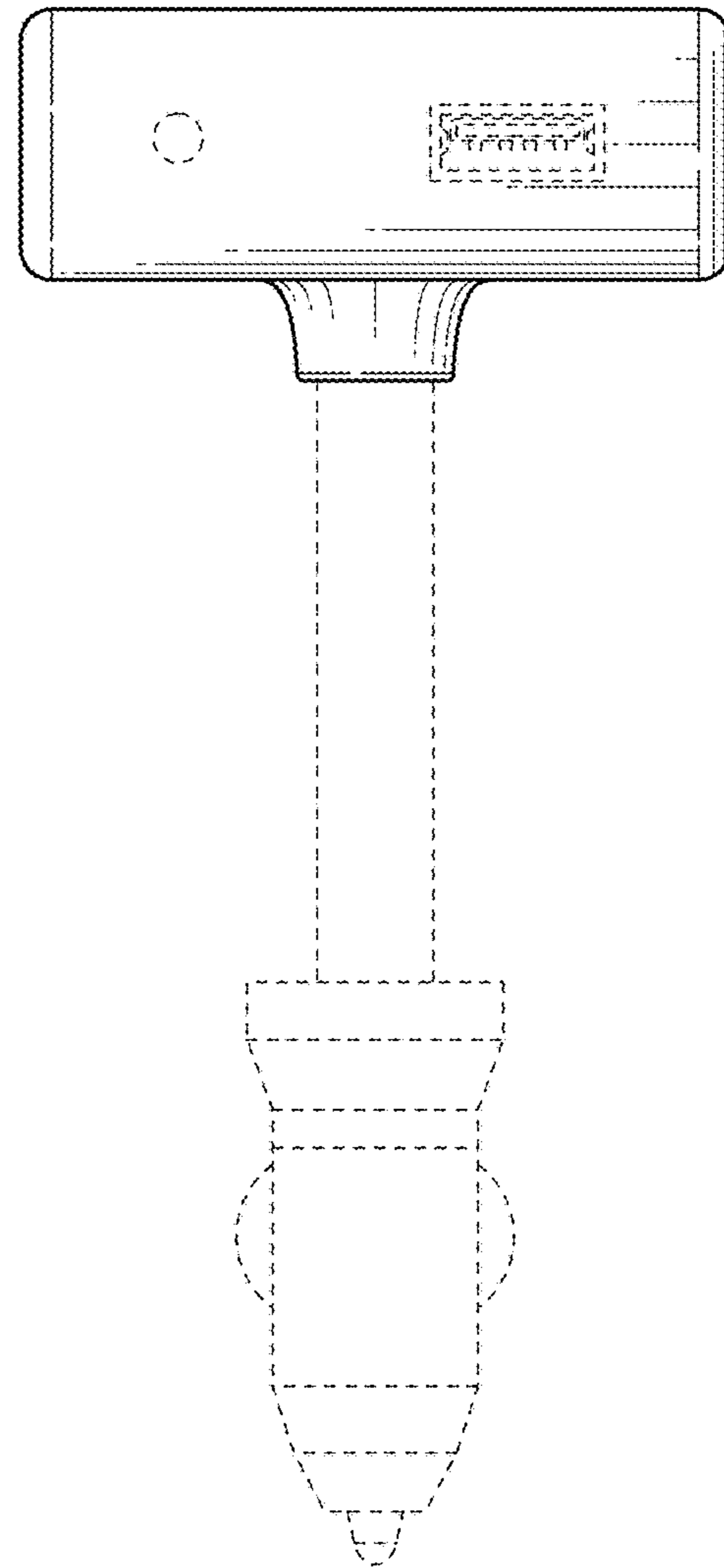


FIG. 7

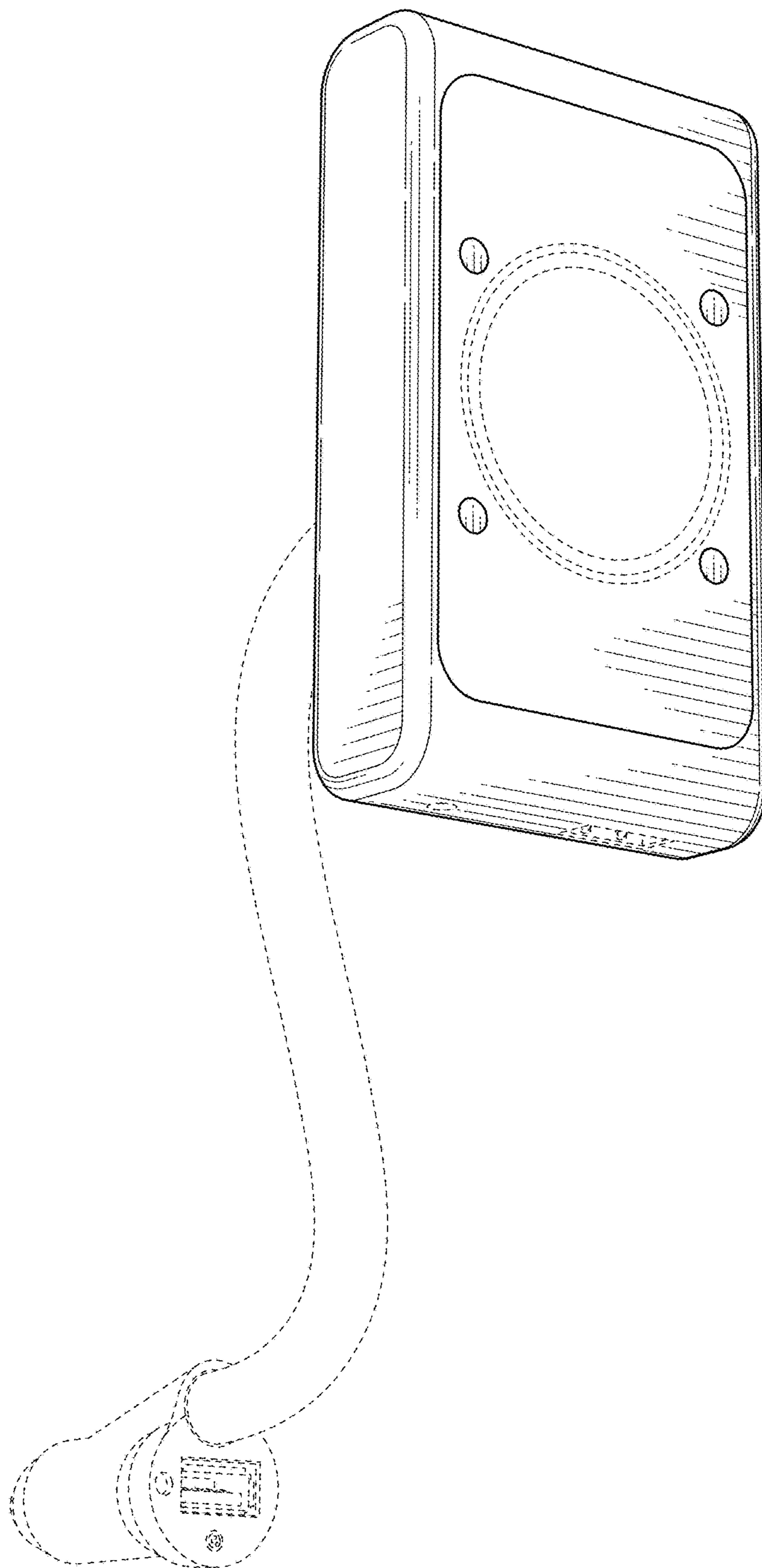


FIG. 8

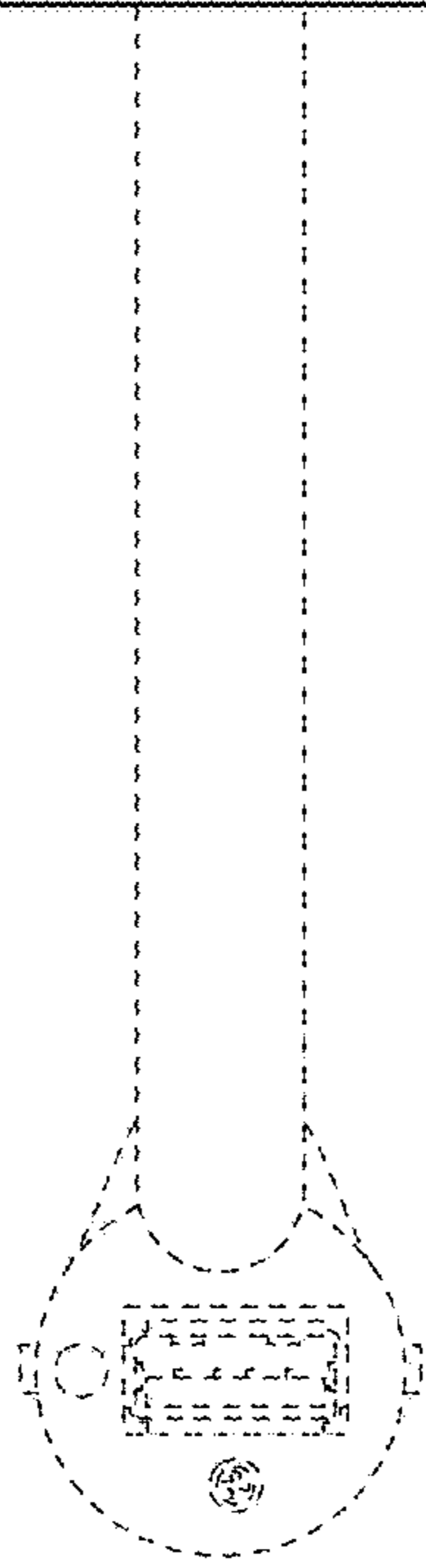
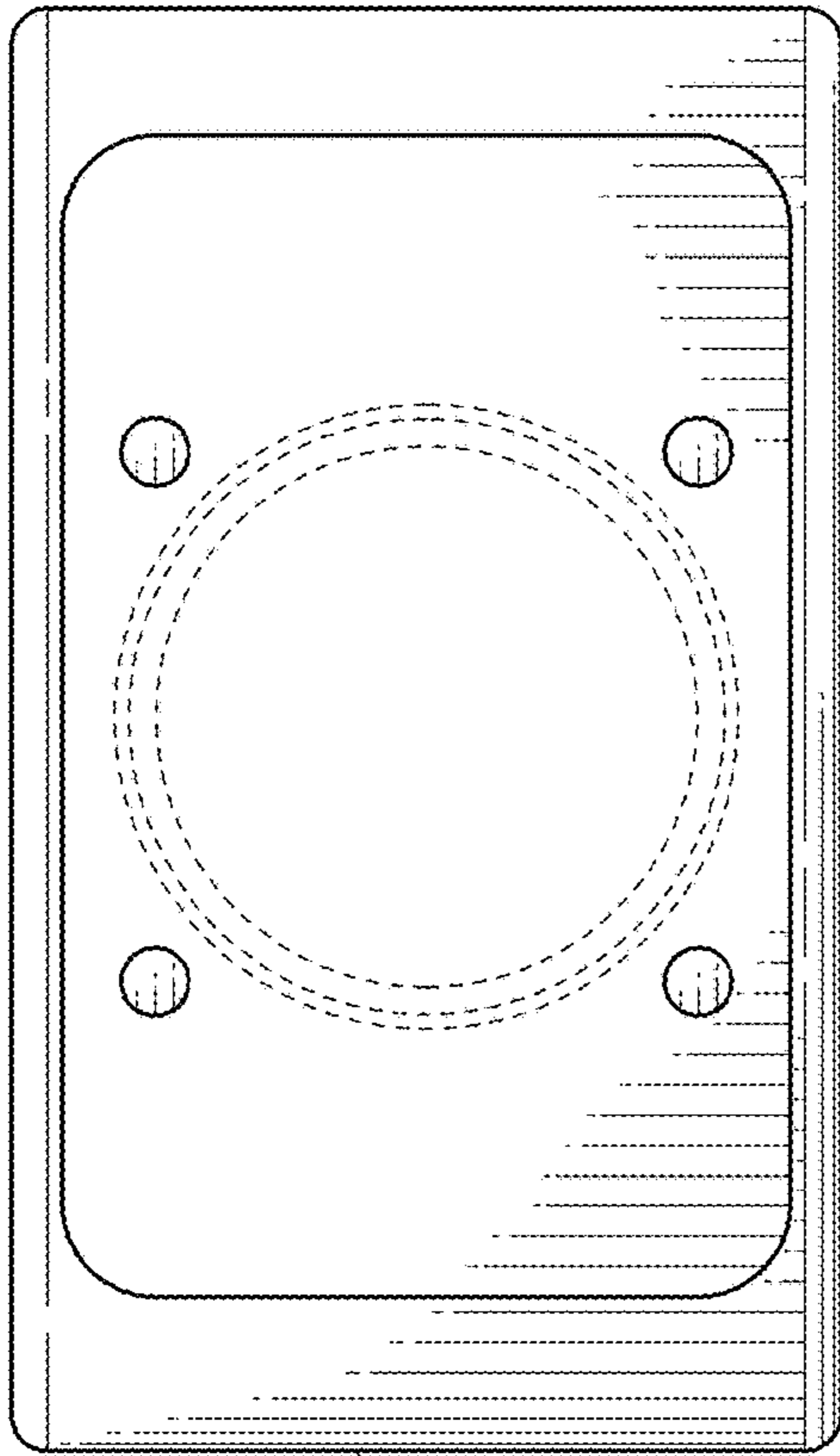


FIG. 9

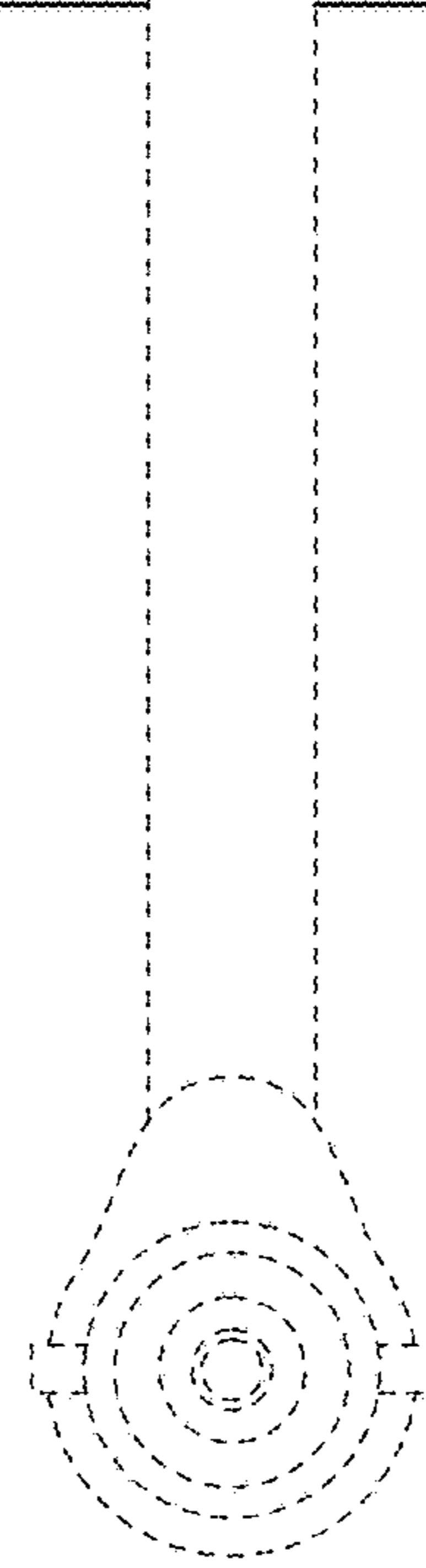
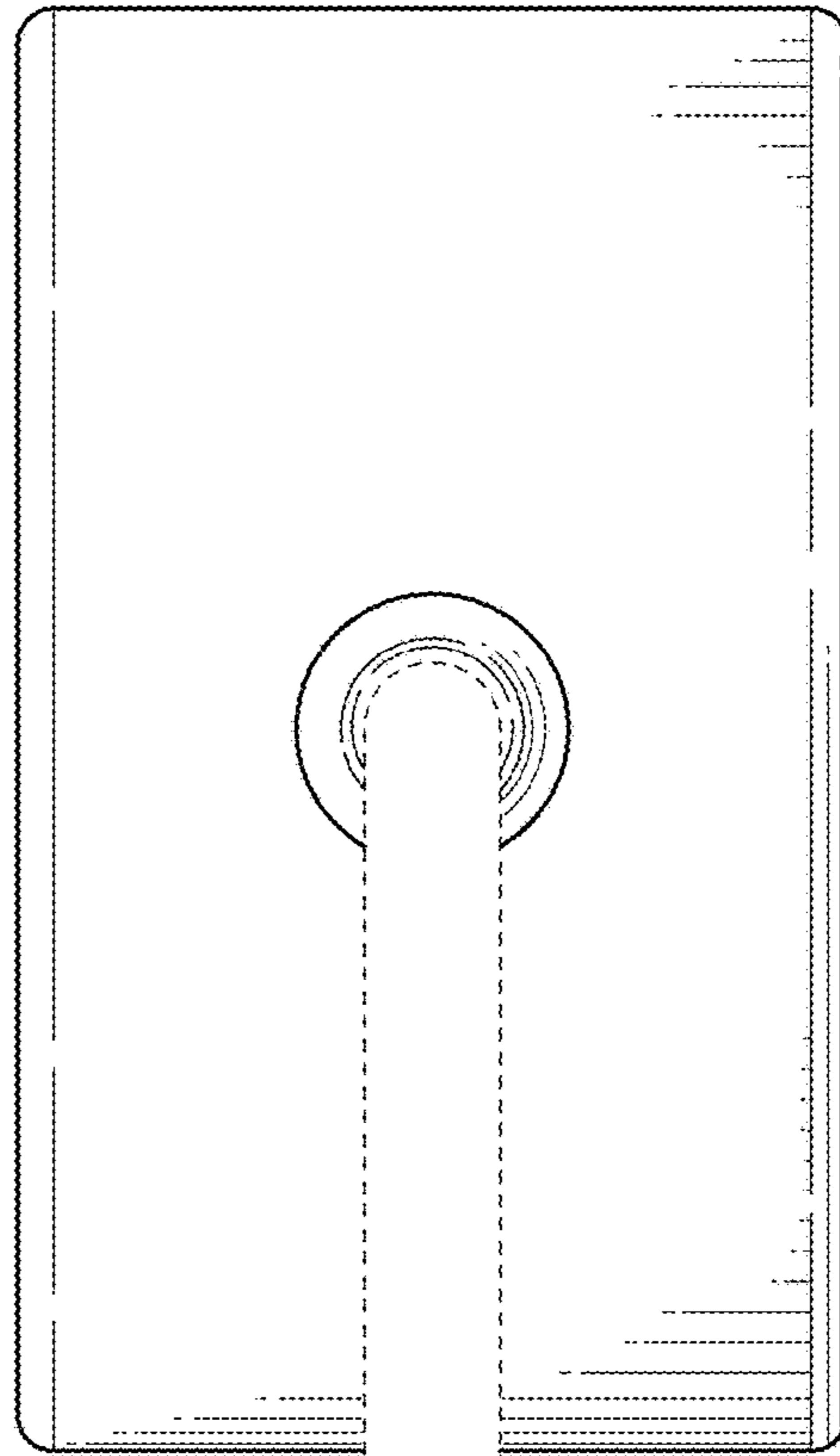


FIG. 10

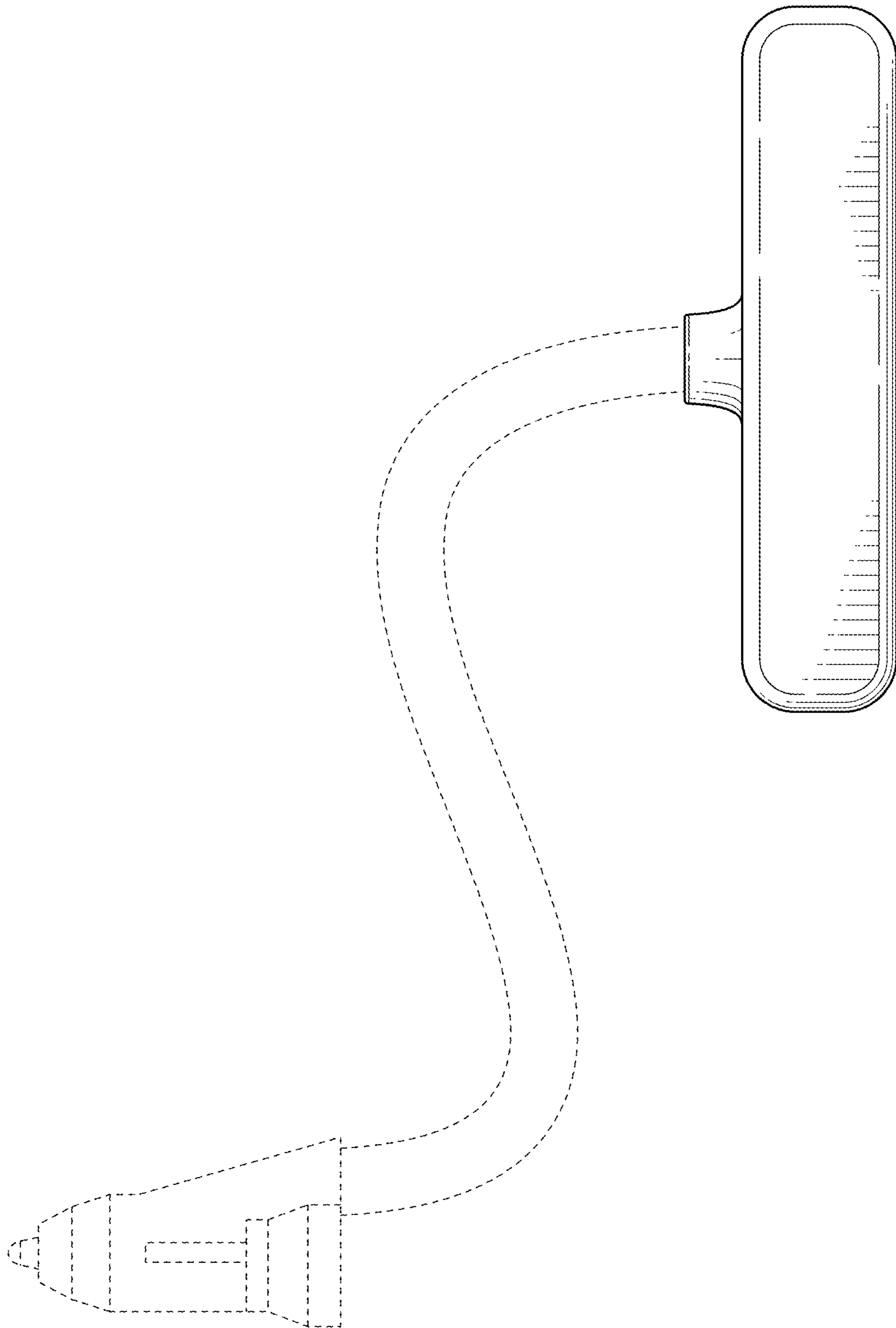


FIG. 11

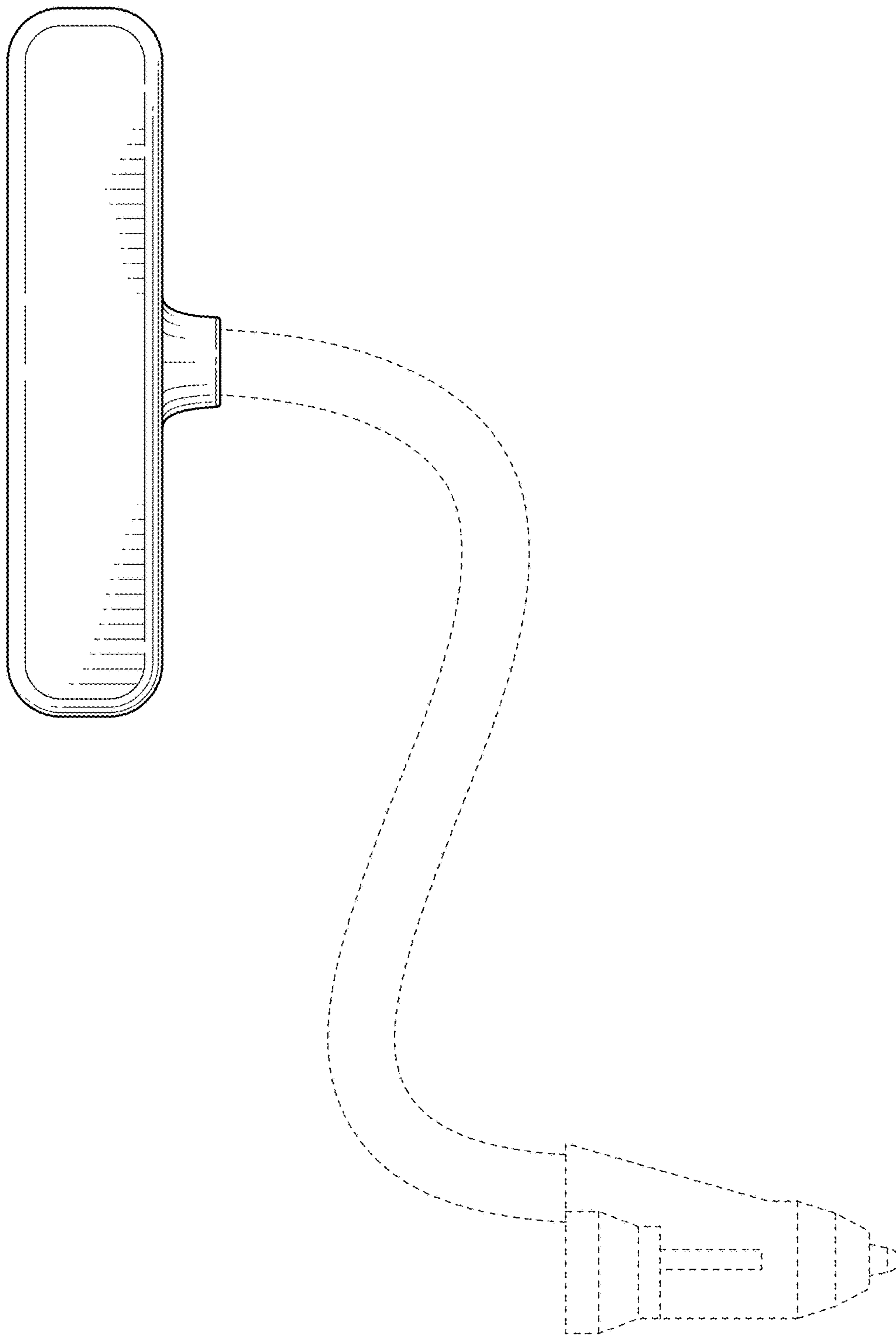


FIG. 12

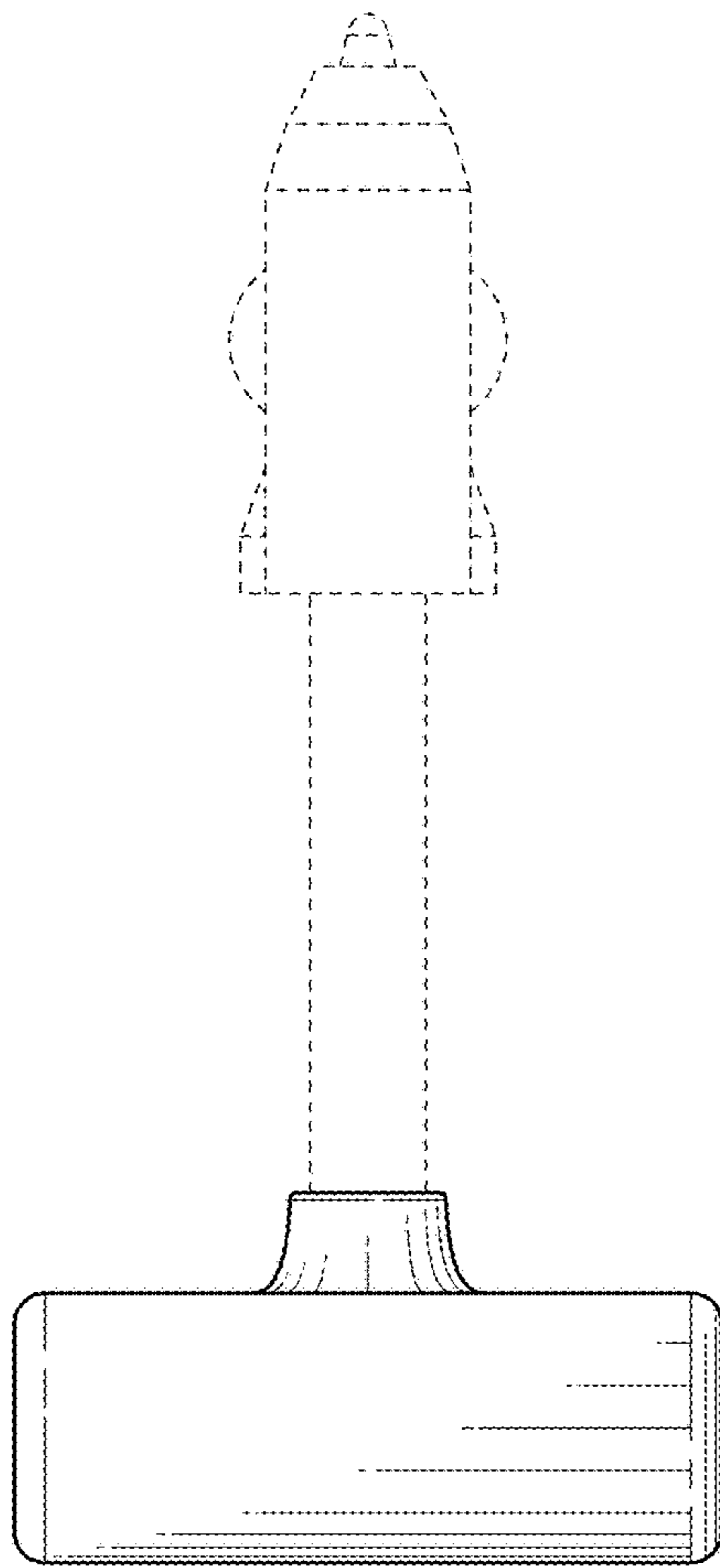


FIG. 13

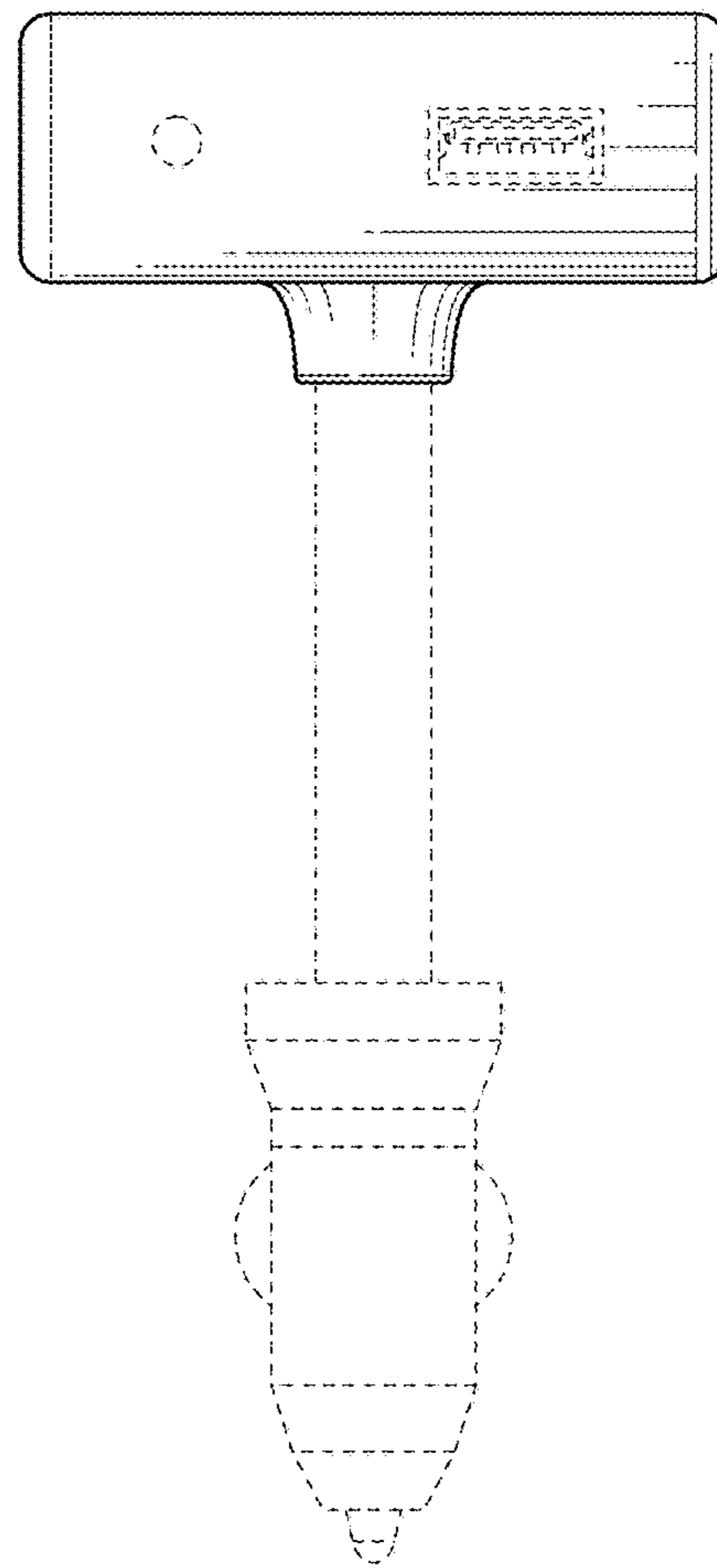


FIG. 14