



US00D838245S

(12) **United States Design Patent**
Lin

(10) **Patent No.:** **US D838,245 S**
(45) **Date of Patent:** **** Jan. 15, 2019**

(54) **UNIVERSAL TRAVEL ADAPTER**
(71) Applicant: **Liangguan Lin**, Guangdong (CN)
(72) Inventor: **Liangguan Lin**, Guangdong (CN)
(**) Term: **15 Years**

(21) Appl. No.: **29/618,784**
(22) Filed: **Sep. 25, 2017**

(30) **Foreign Application Priority Data**

Aug. 17, 2017 (CN) 2017 3 0380608

(51) **LOC (11) Cl.** **13-03**

(52) **U.S. Cl.**
USPC **D13/137.2**

(58) **Field of Classification Search**
USPC D13/108, 110, 123, 133, 137.1–137.4,
D13/138.1–138.2, 139.1–139.8, 152–154,
D13/146, 147, 156, 158, 177;
D8/350–353; D14/433
CPC H01R 13/04; H01R 25/00; H01R 25/006;
H01R 11/00; H01R 9/00; H01R 31/06;
H01R 33/06; H01R 33/76
See application file for complete search history.

(56) **References Cited**

U.S. PATENT DOCUMENTS

D623,595 S * 9/2010 Ruffner D13/110
D657,314 S * 4/2012 Ruffner D13/139.1
D664,094 S * 7/2012 Ruffner D13/138.2
D682,220 S * 5/2013 Lee D13/152
D702,639 S * 4/2014 Ruffner D13/110
D720,695 S * 1/2015 Shen D13/110
D805,479 S * 12/2017 Lin D13/137.2
2010/0311261 A1 * 12/2010 Lee H01R 27/00
439/223
2011/0086527 A1 * 4/2011 Ruffner H01R 27/00
439/105

2011/0111634 A1 * 5/2011 Ruffner H01R 13/4534
439/628
2014/0038439 A1 * 2/2014 Lee H01R 13/4534
439/95
2014/0145689 A1 * 5/2014 Carlucci H01R 31/065
323/237
2018/0006415 A1 * 1/2018 Liao H01R 27/00
2018/0083402 A1 * 3/2018 Higashiura H01R 33/06

* cited by examiner

Primary Examiner — Rosemary K Tarcza
Assistant Examiner — Christy M Nemeth

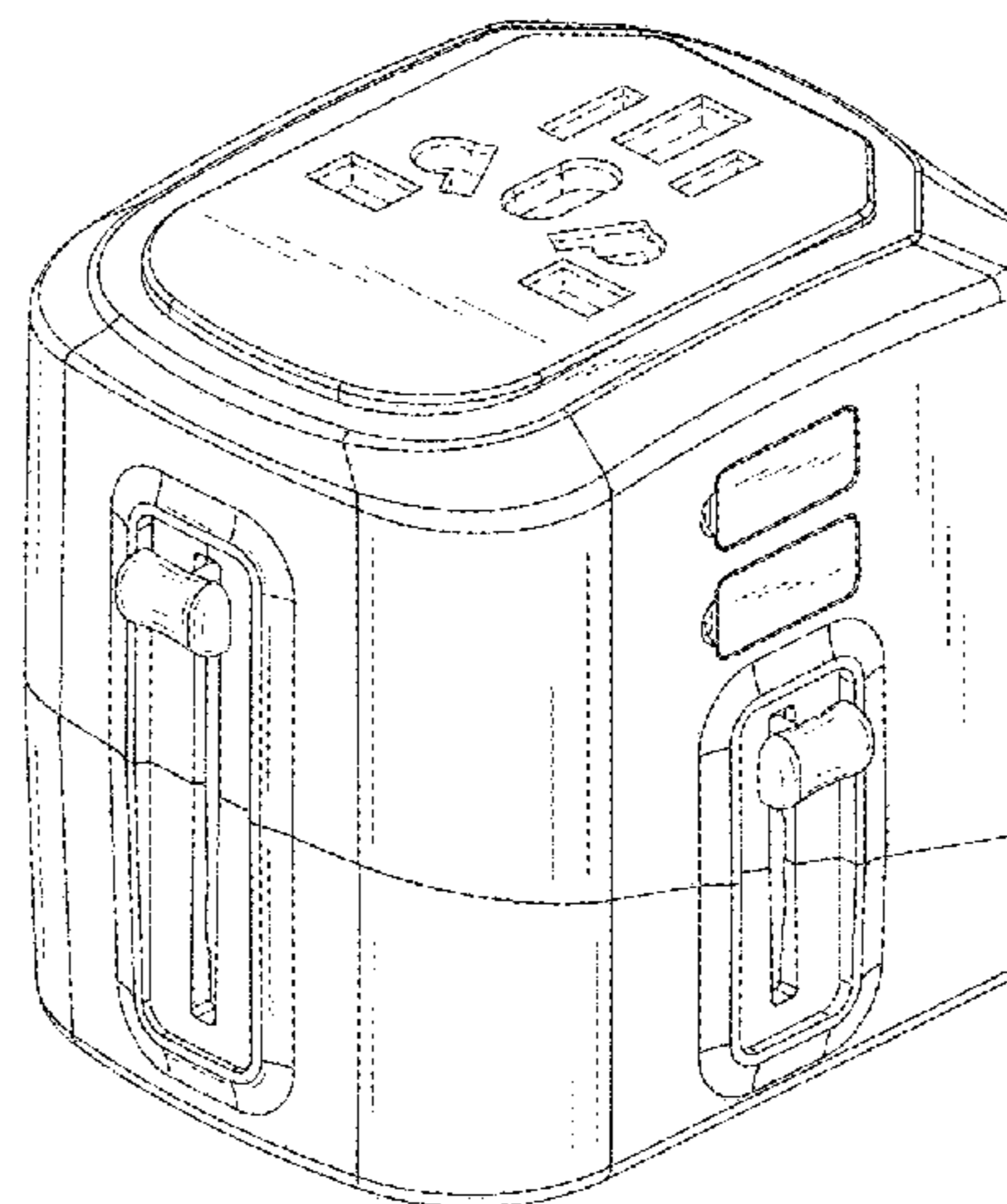
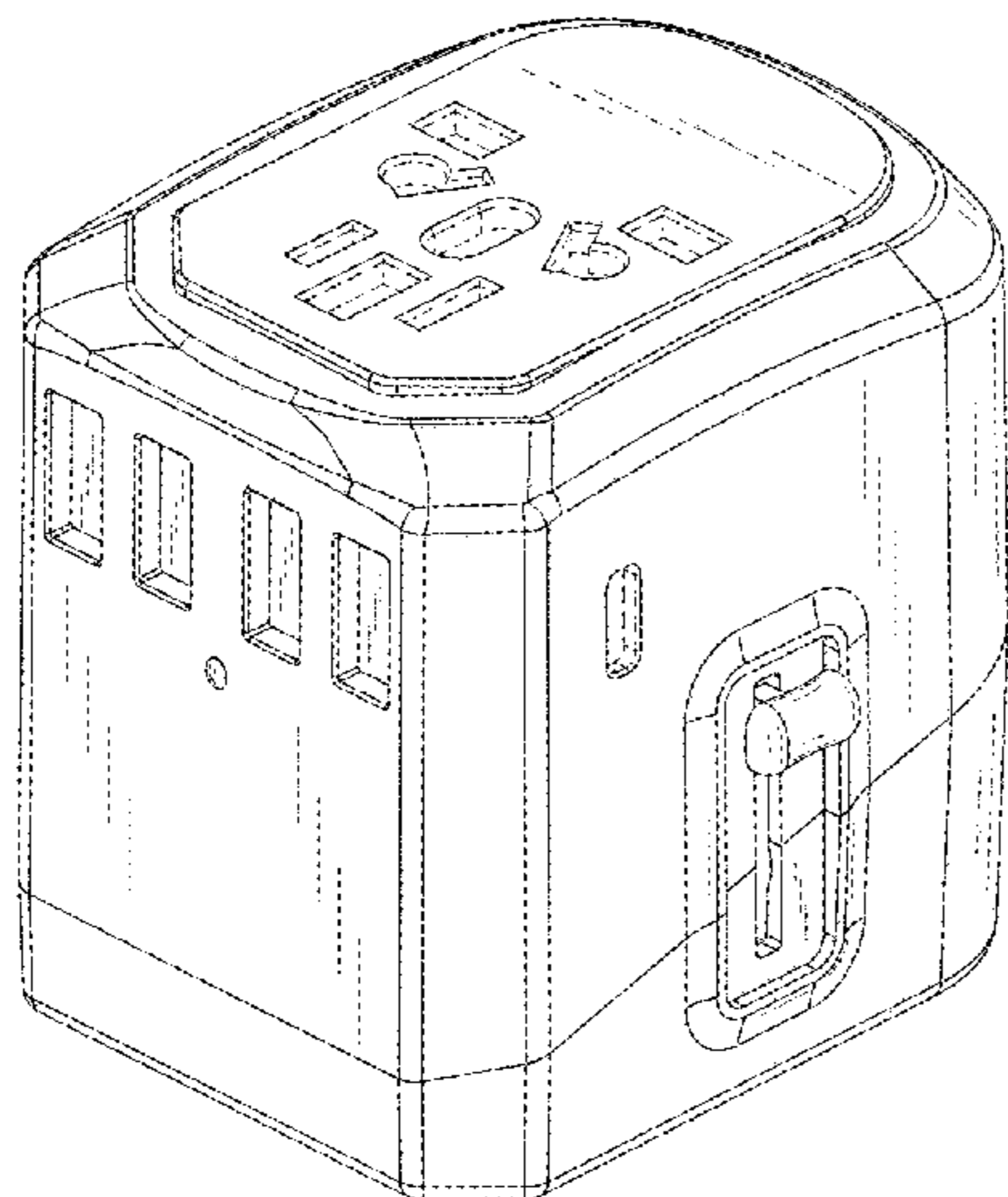
(57) **CLAIM**

The ornamental design for a universal travel adapter, as shown and described.

DESCRIPTION

FIG. 1 is a front elevational view of a universal travel adapter showing my new design;
FIG. 2 is a rear elevational view thereof;
FIG. 3 is a left side view thereof;
FIG. 4 is a right side view thereof;
FIG. 5 is a top plan view thereof;
FIG. 6 is a bottom plan view thereof;
FIG. 7 is a front-top-right side perspective view thereof;
FIG. 8 is a rear-top-left side perspective view thereof;
FIG. 9 is a rear-bottom perspective view of the universal travel adapter, shown in a state of use;
FIG. 10 is a rear-left side perspective view of the universal travel adapter, shown in a state of use;
FIG. 11 is a rear-bottom-right side perspective view of the universal travel adapter, shown in a state of use; and,
FIG. 12 is a rear-left side perspective view of the universal travel adapter, shown in a state of use.
The broken lines in the drawings are for the purpose of illustrating portions of the universal travel adapter that form no part of the claimed design.

1 Claim, 12 Drawing Sheets



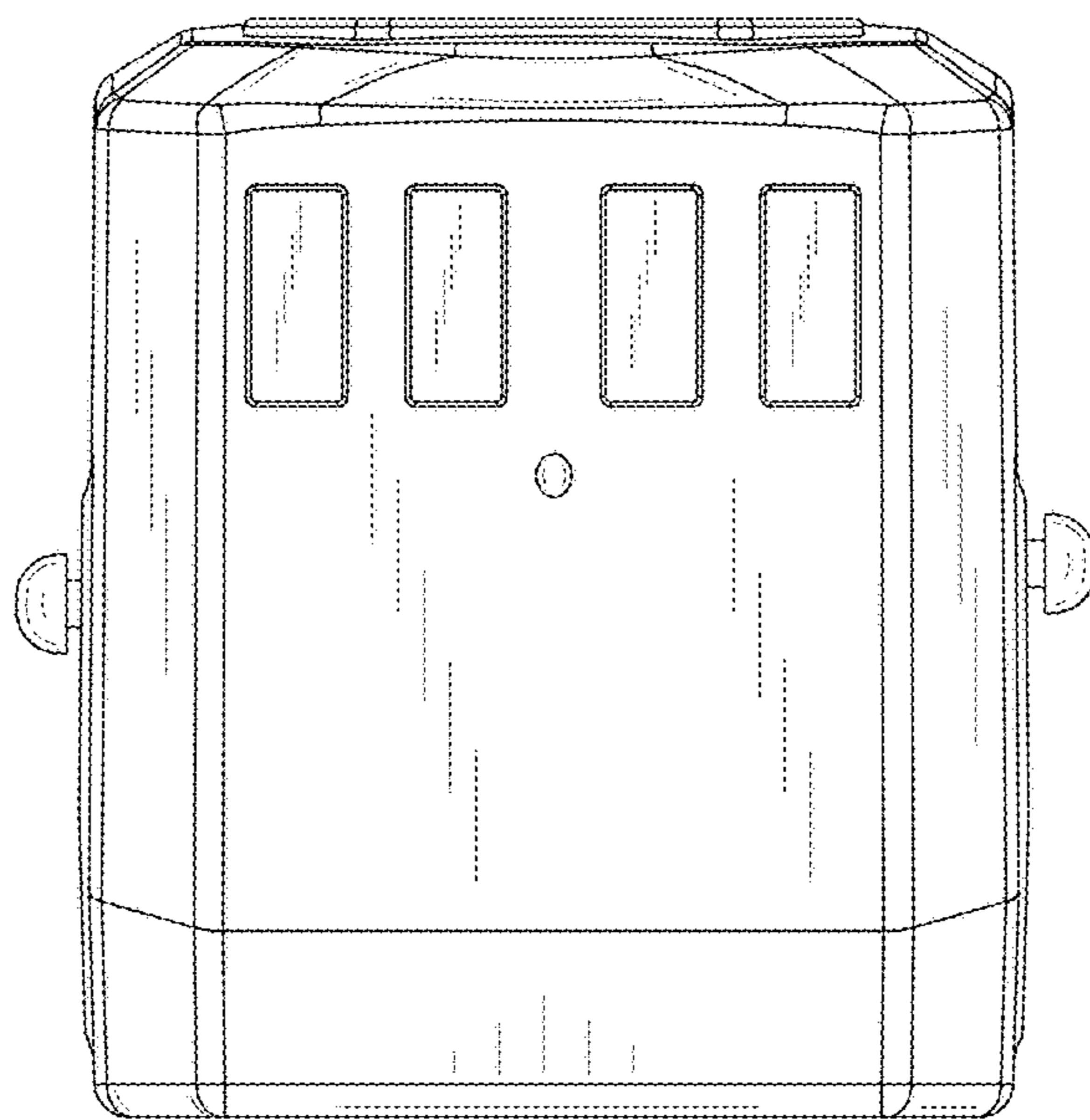


FIG.1

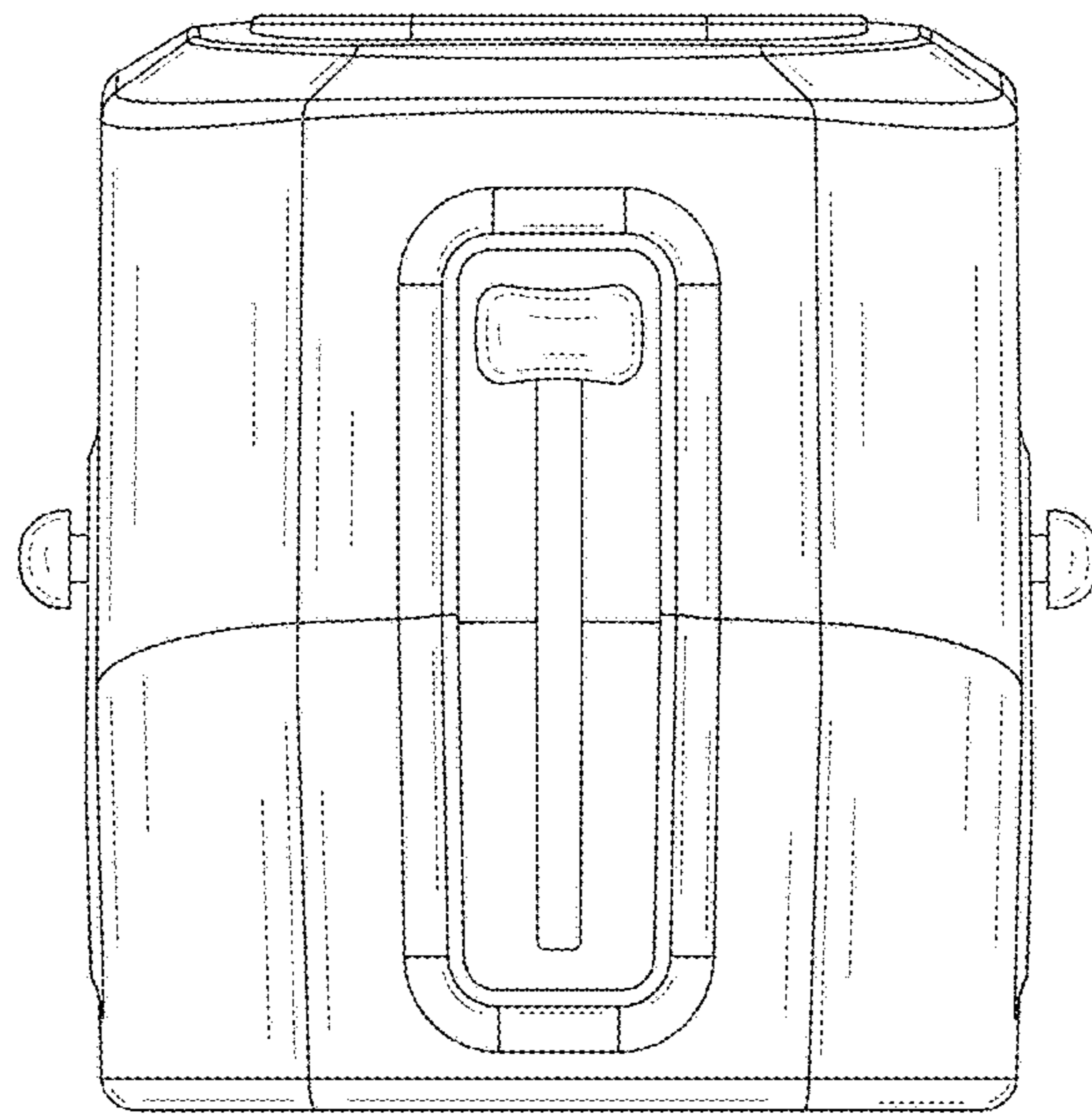


FIG.2

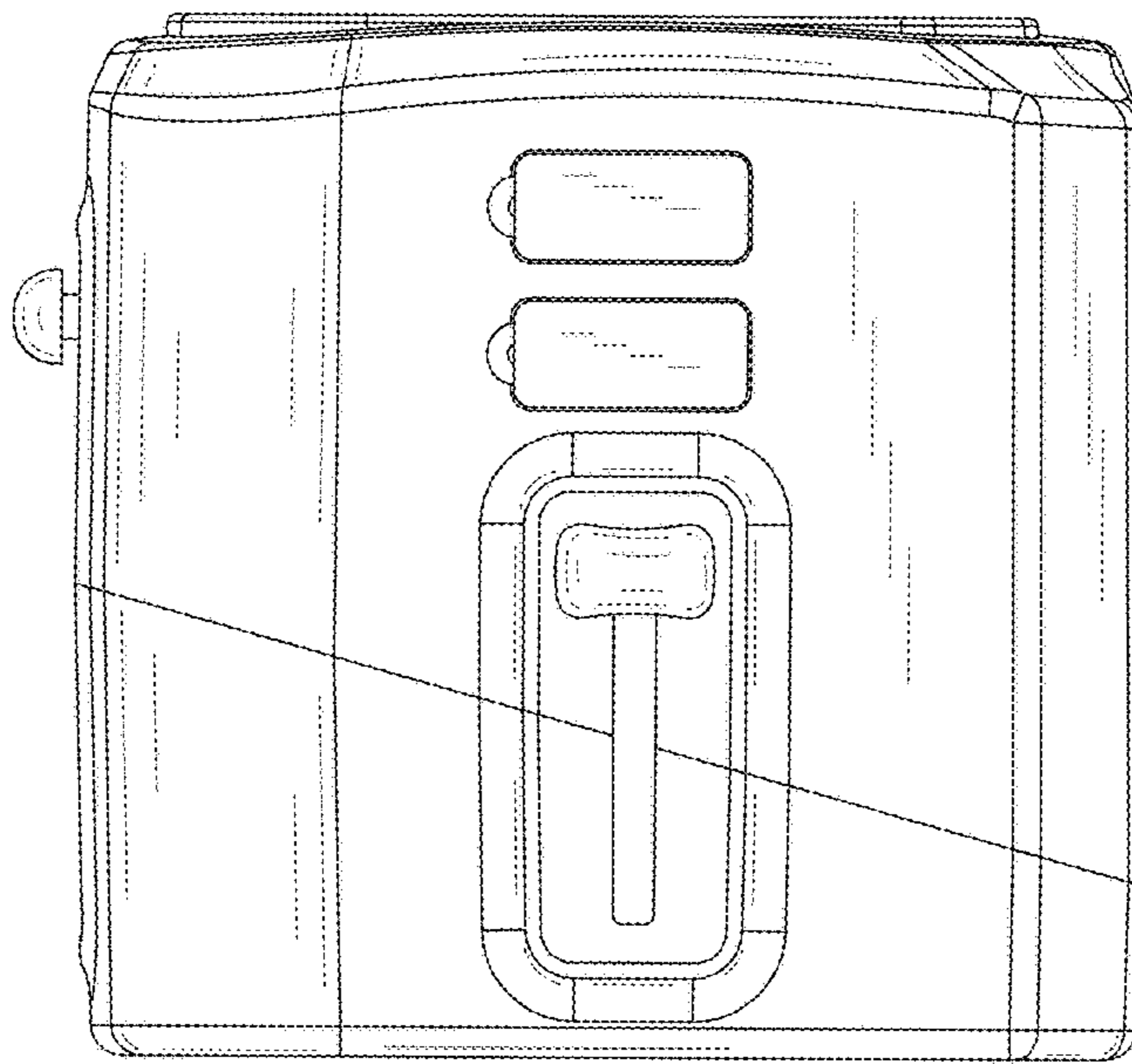


FIG.3

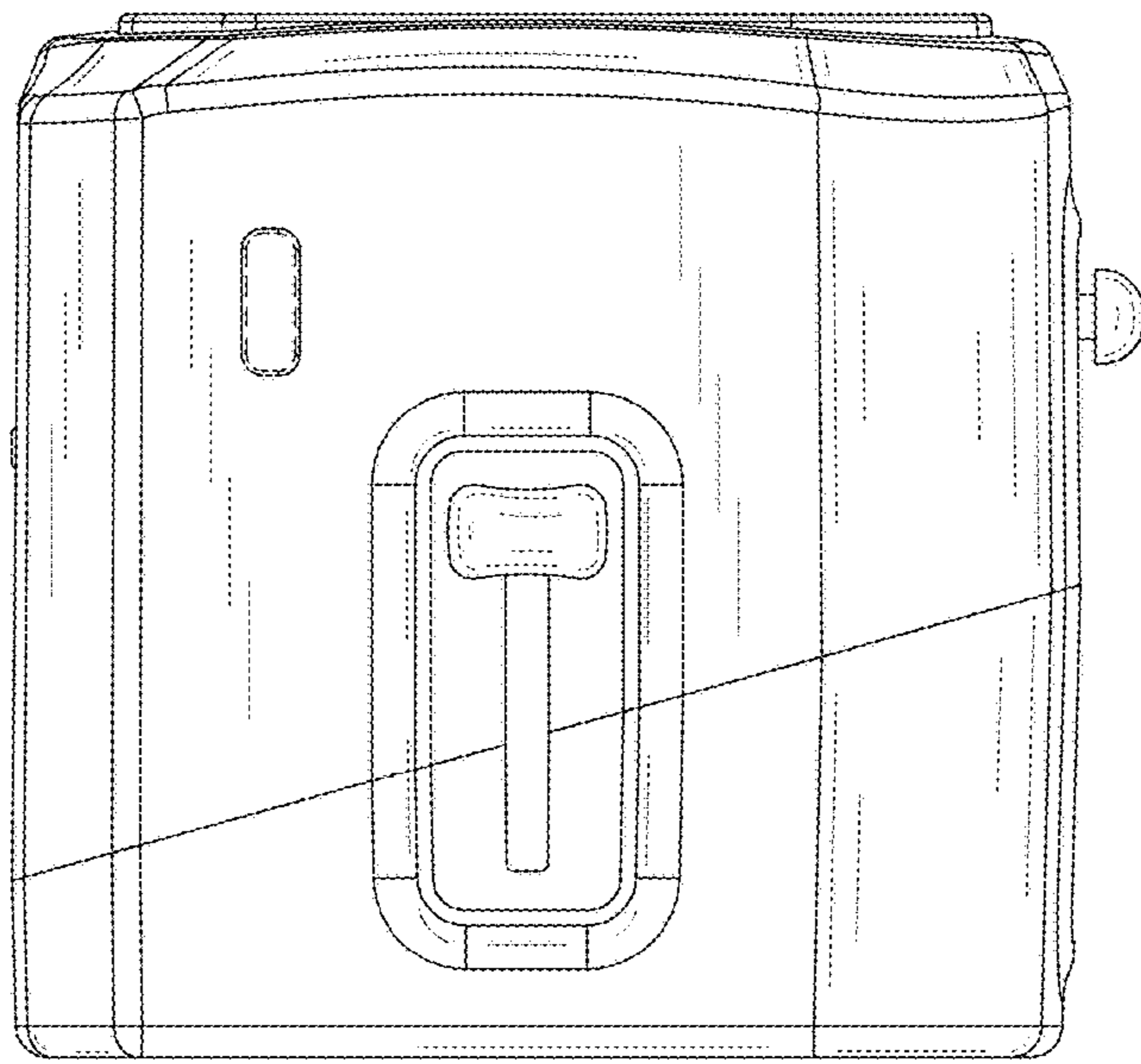


FIG.4

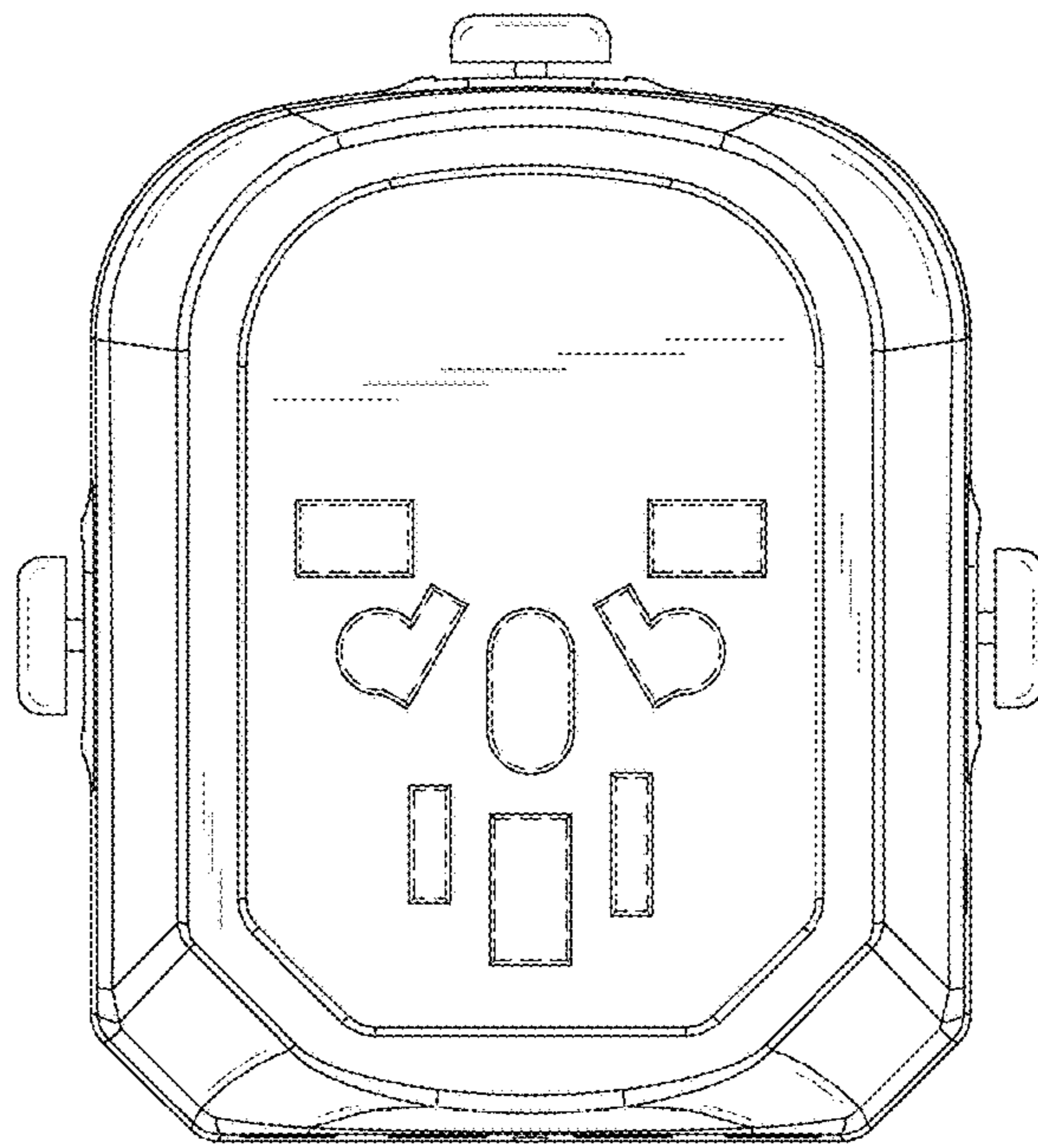


FIG.5

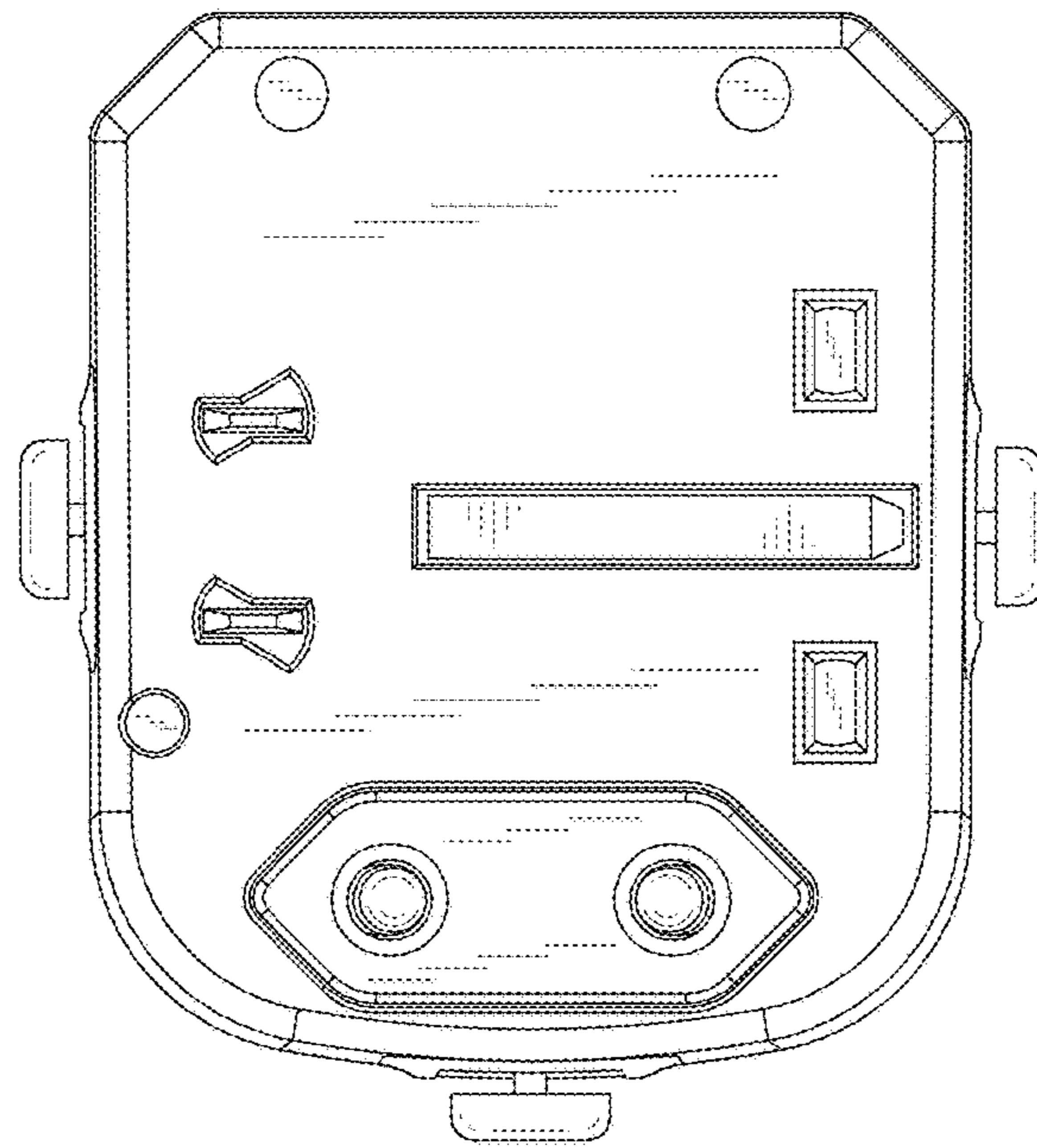


FIG.6

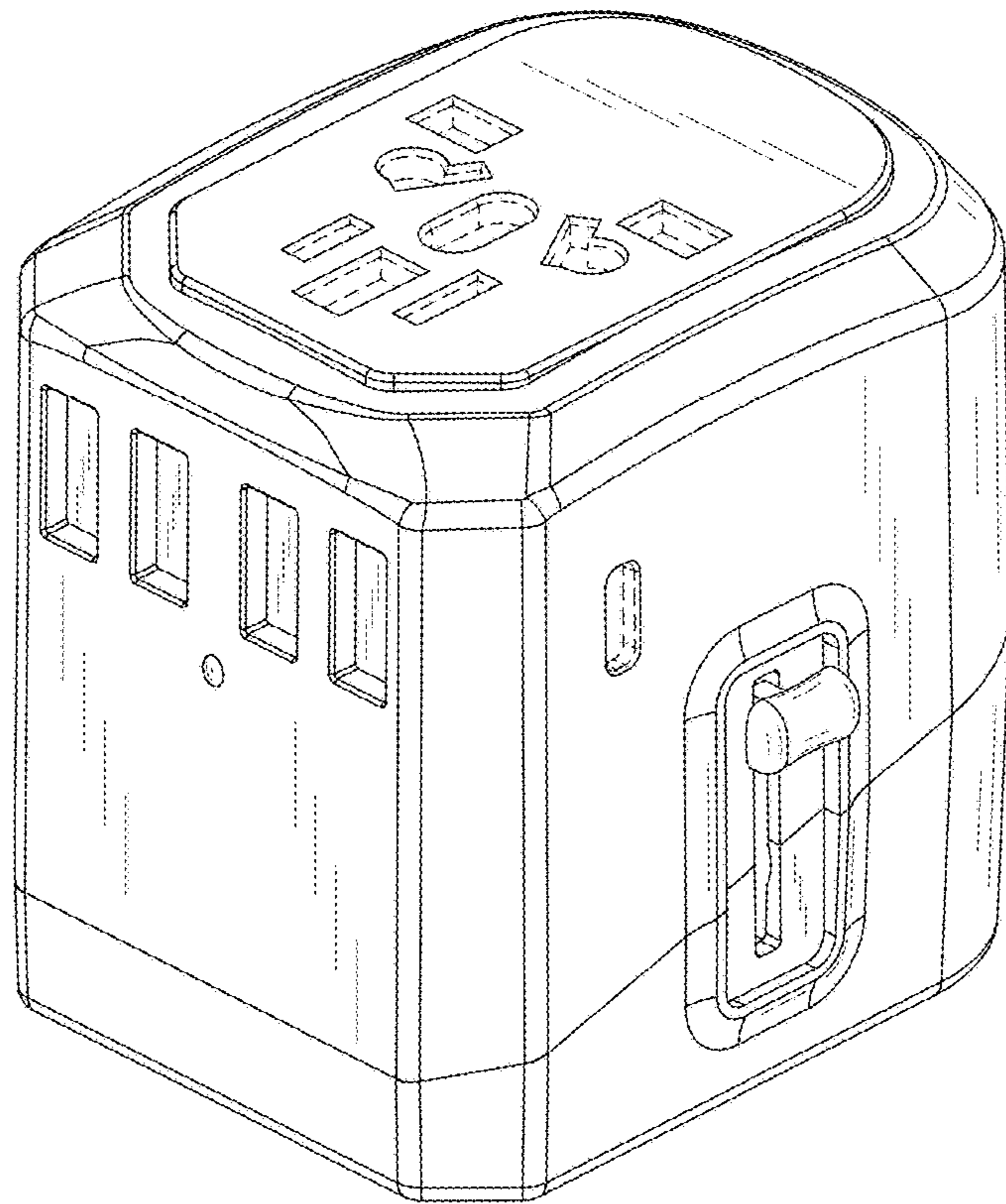


FIG.7

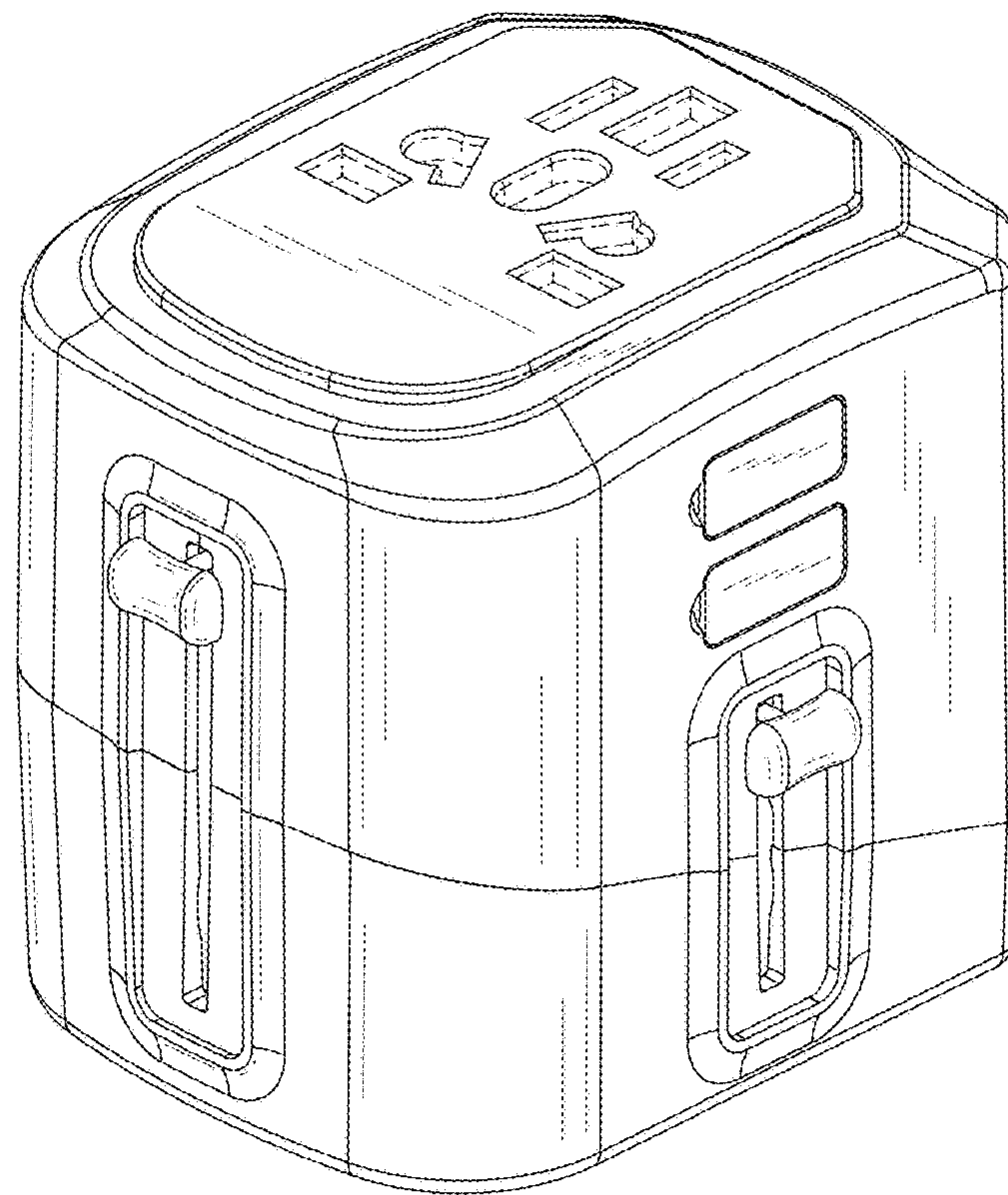


FIG.8

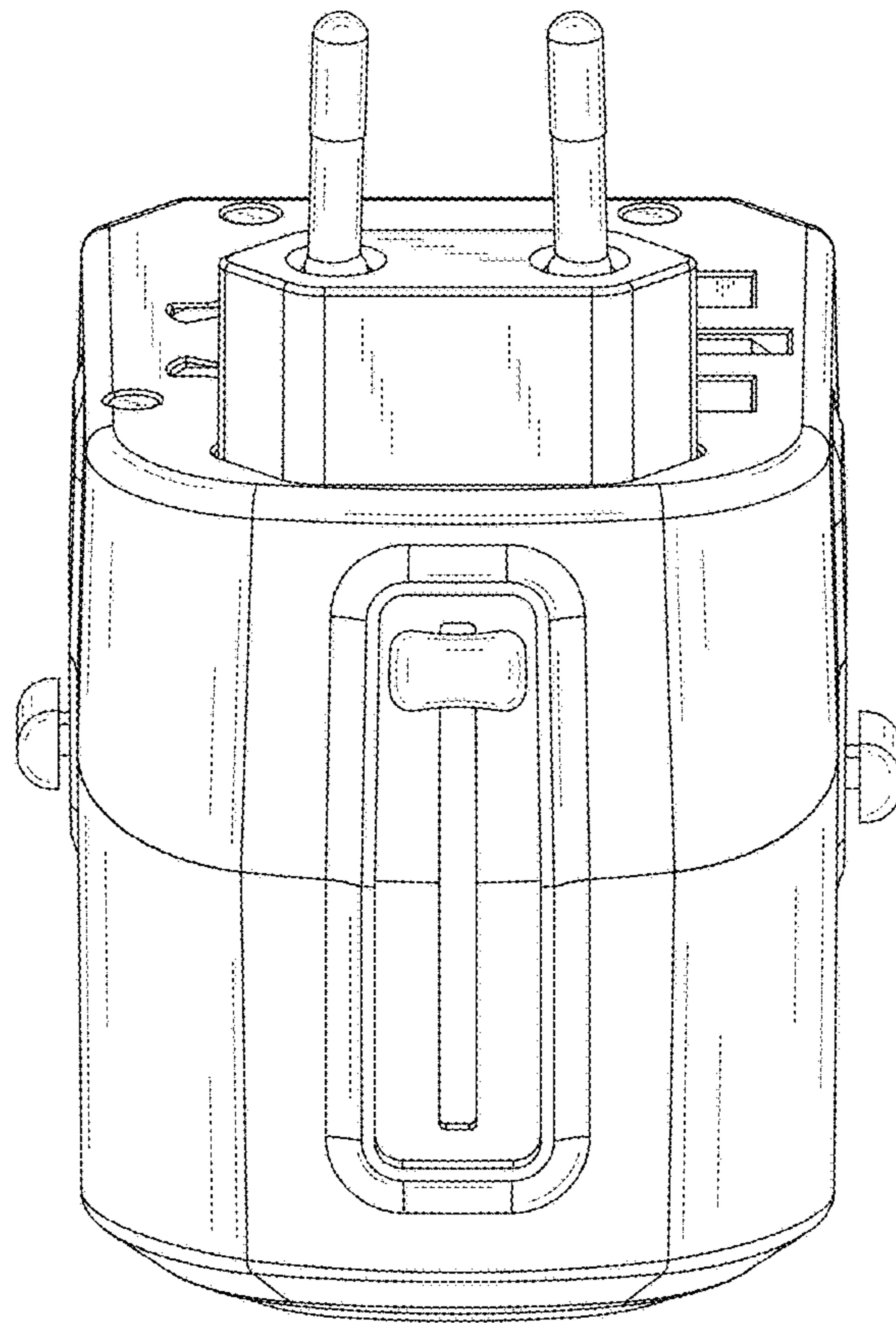


FIG.9

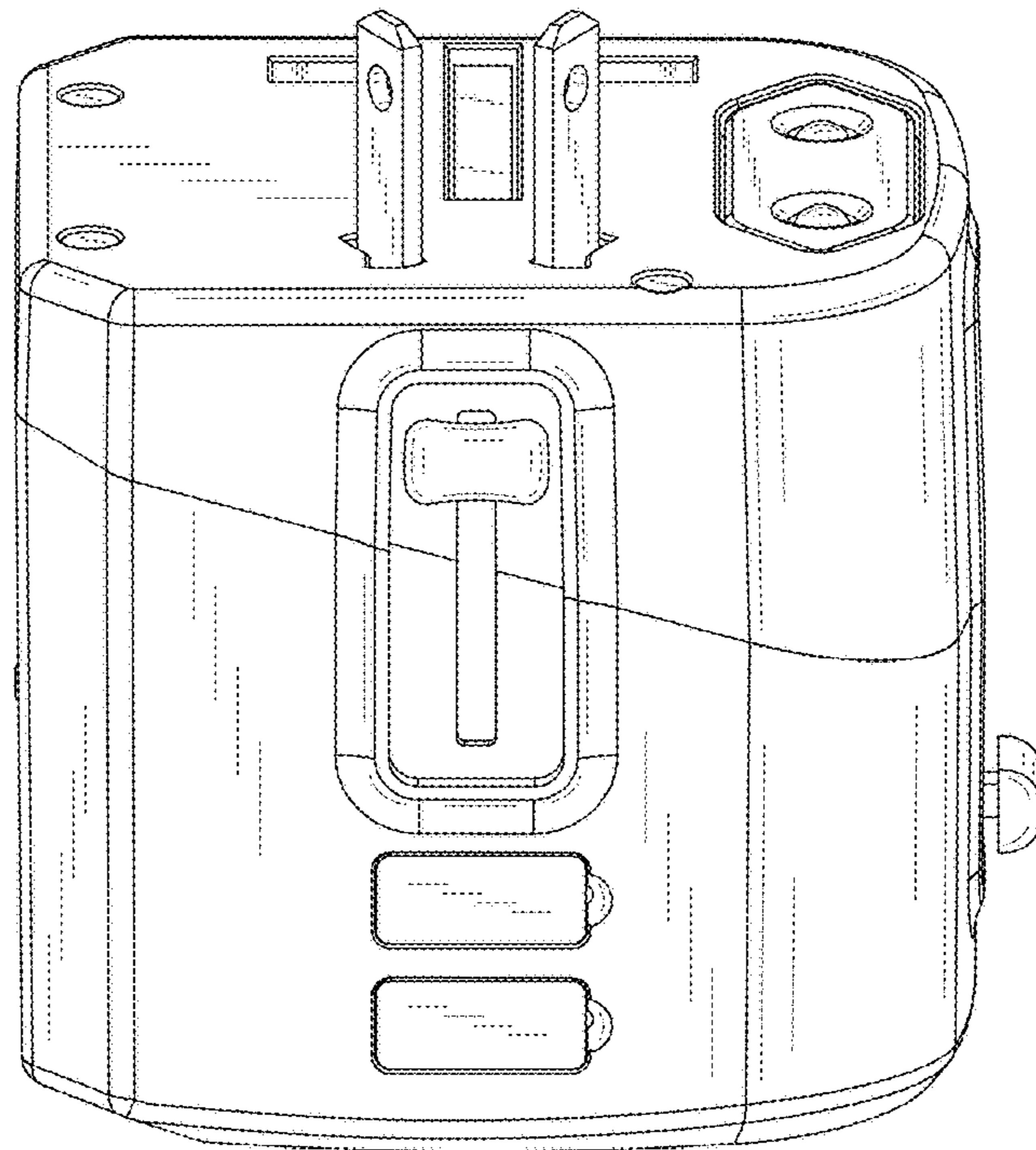


FIG.10

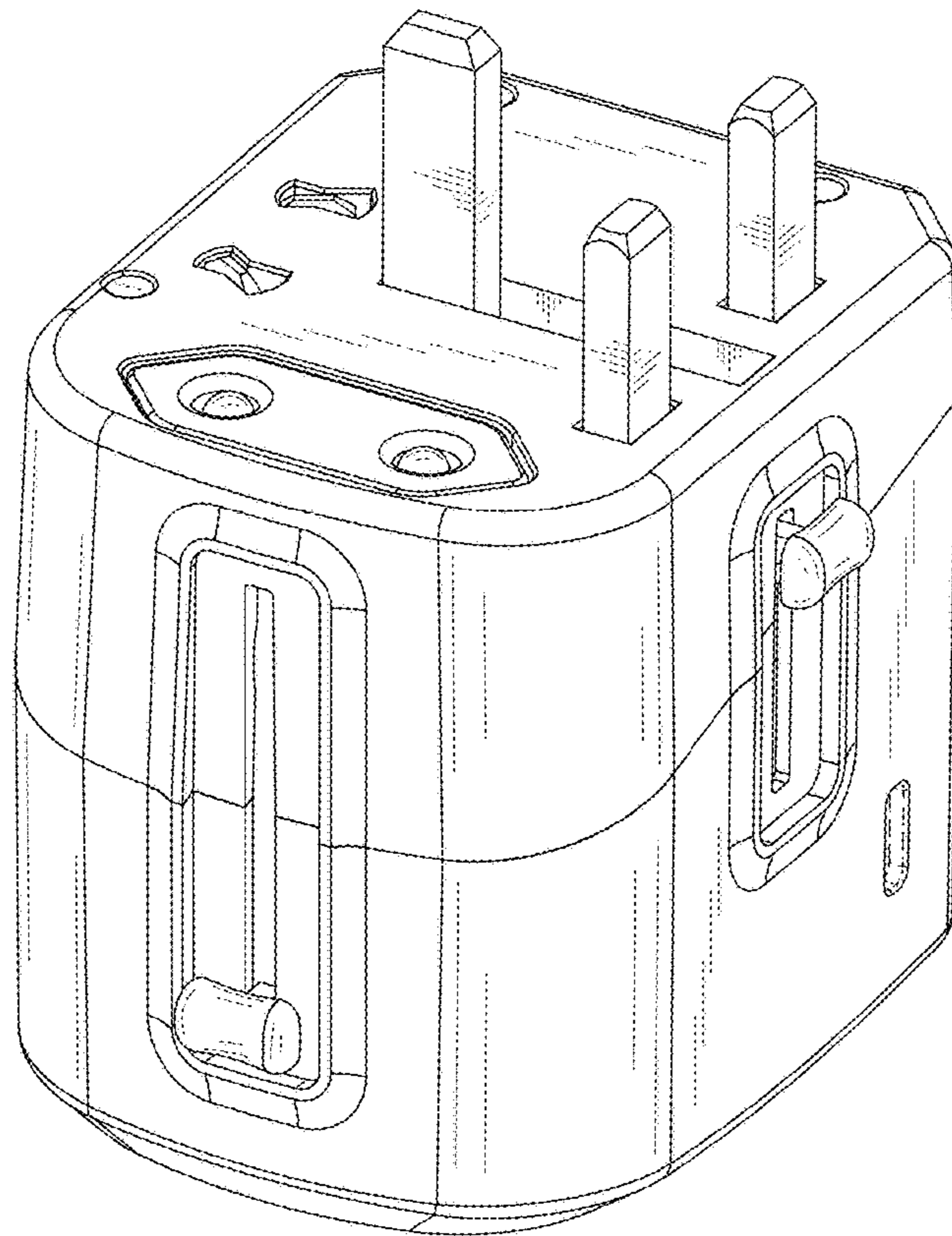


FIG.11

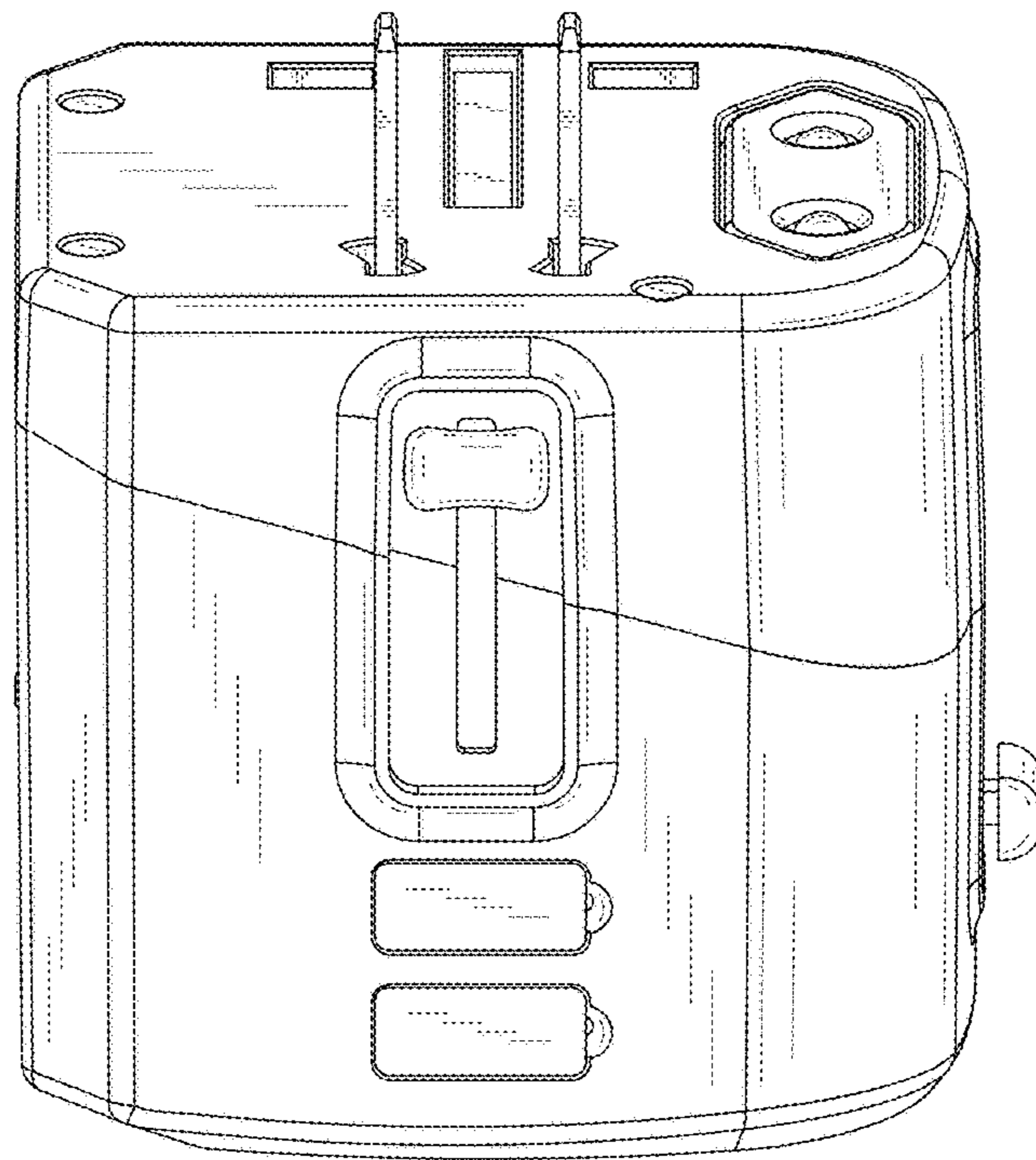


FIG.12