



US00D838244S

(12) **United States Design Patent**
DeCosta

(10) **Patent No.:** **US D838,244 S**

(45) **Date of Patent:** **** Jan. 15, 2019**

(54) **RECESSED RECEPTACLE POWER COUPLING**

(71) Applicant: **Thomas DeCosta**, Westport, MA (US)

(72) Inventor: **Thomas DeCosta**, Westport, MA (US)

(**) Term: **15 Years**

(21) Appl. No.: **29/505,901**

(22) Filed: **Mar. 31, 2016**

(51) **LOC (11) Cl.** **13-03**

(52) **U.S. Cl.**
USPC **D13/137.2**

(58) **Field of Classification Search**
USPC D13/103, 107, 110, 133, 137.2, 137.3,
D13/137.4, 139.1, 139.2, 139.3, 139.4,
D13/139.8, 154, 158, 177, 162, 137.1
CPC A61M 5/1413; A61M 5/162; A61M 5/31;
A61M 39/06; B65D 33/14; H01H 83/02;
H01H 83/04; H02H 3/162; H02H 3/33;
H01R 13/665; H01R 13/7135

See application file for complete search history.

(56) **References Cited**

U.S. PATENT DOCUMENTS

D315,893 S *	4/1991	Cheng	D13/137.3
D431,027 S *	9/2000	Armstrong	D13/162
D432,990 S *	10/2000	Stekelenburg	D13/137.3
D511,468 S *	11/2005	Aromin	D10/78
D511,469 S *	11/2005	Aromin	D10/78
D588,065 S *	3/2009	Wadsworth	D13/137.2
D598,859 S *	8/2009	Vaccaro	D13/139.3
D610,435 S *	2/2010	Schwartz	D13/139.4
D618,175 S *	6/2010	Shi	D13/137.2
D636,336 S *	4/2011	Clark	D13/137.2
D673,909 S *	1/2013	Zaslaysky	D13/110
D682,211 S *	5/2013	Nelson	D13/137.2
D687,778 S *	8/2013	Utz	D13/133
D692,385 S *	10/2013	Dodal	D13/139.1

D692,830 S *	11/2013	Junko	D13/139.3
D693,769 S *	11/2013	Picard	D13/137.1
D694,713 S *	12/2013	Yeo	D13/137.1
D701,836 S *	4/2014	Byrne	H01R 13/52 D13/139.1
D702,183 S *	4/2014	Benedict	D13/110
D702,636 S *	4/2014	Benedict	D13/110
D705,733 S *	5/2014	Zaslaysky	D13/137.2
D705,734 S *	5/2014	Dodal	D13/139.1
D706,220 S *	6/2014	Zaslaysky	D13/137.2
D719,511 S *	12/2014	Dodal	D13/139.1
D719,688 S *	12/2014	Goyal	D13/177
D729,160 S *	5/2015	Levy	D13/110
D730,834 S *	6/2015	Byrne	D13/139.1

(Continued)

Primary Examiner — Rosemary K Tarcza

Assistant Examiner — Christy M Nemeth

(57) **CLAIM**

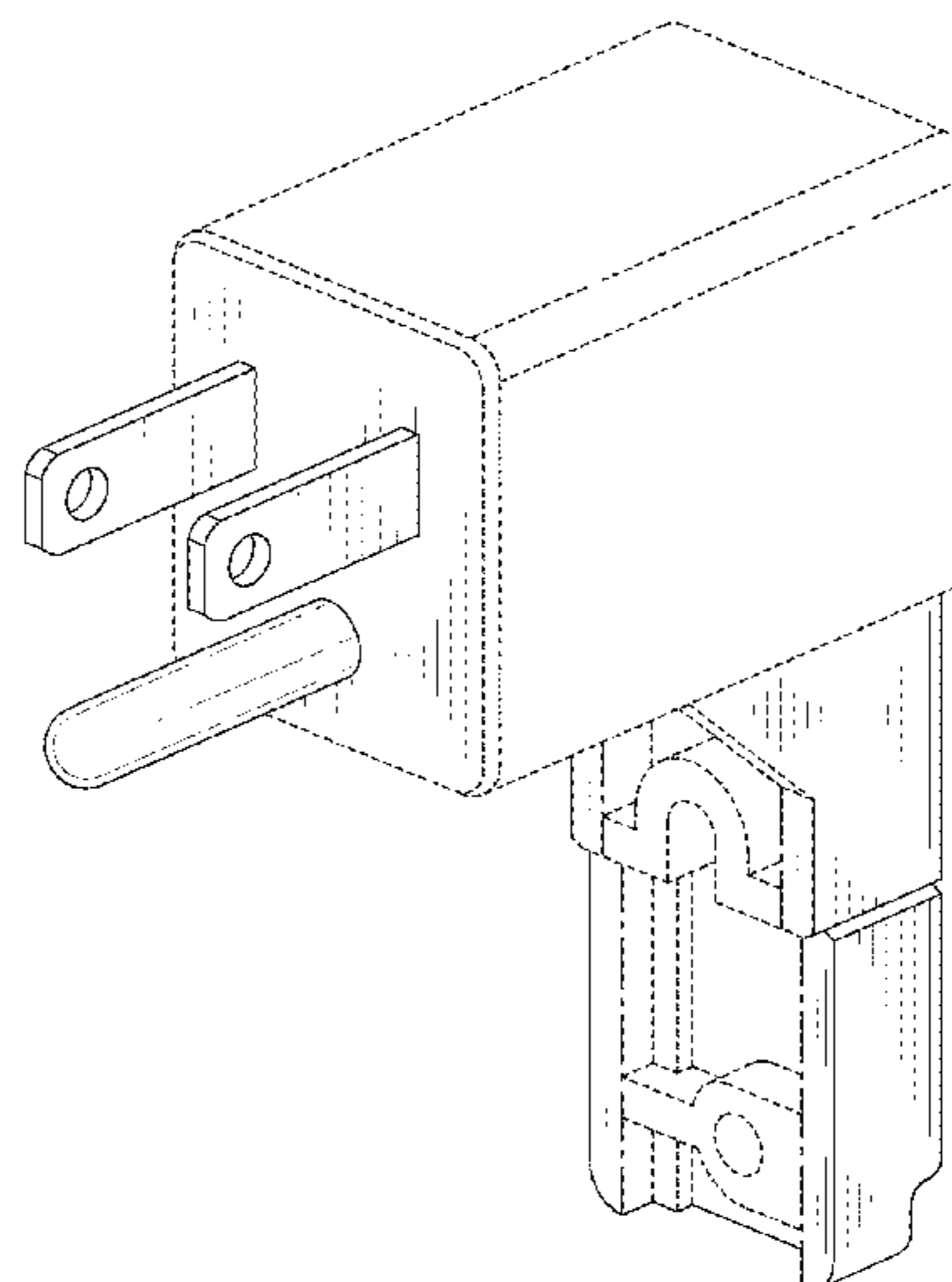
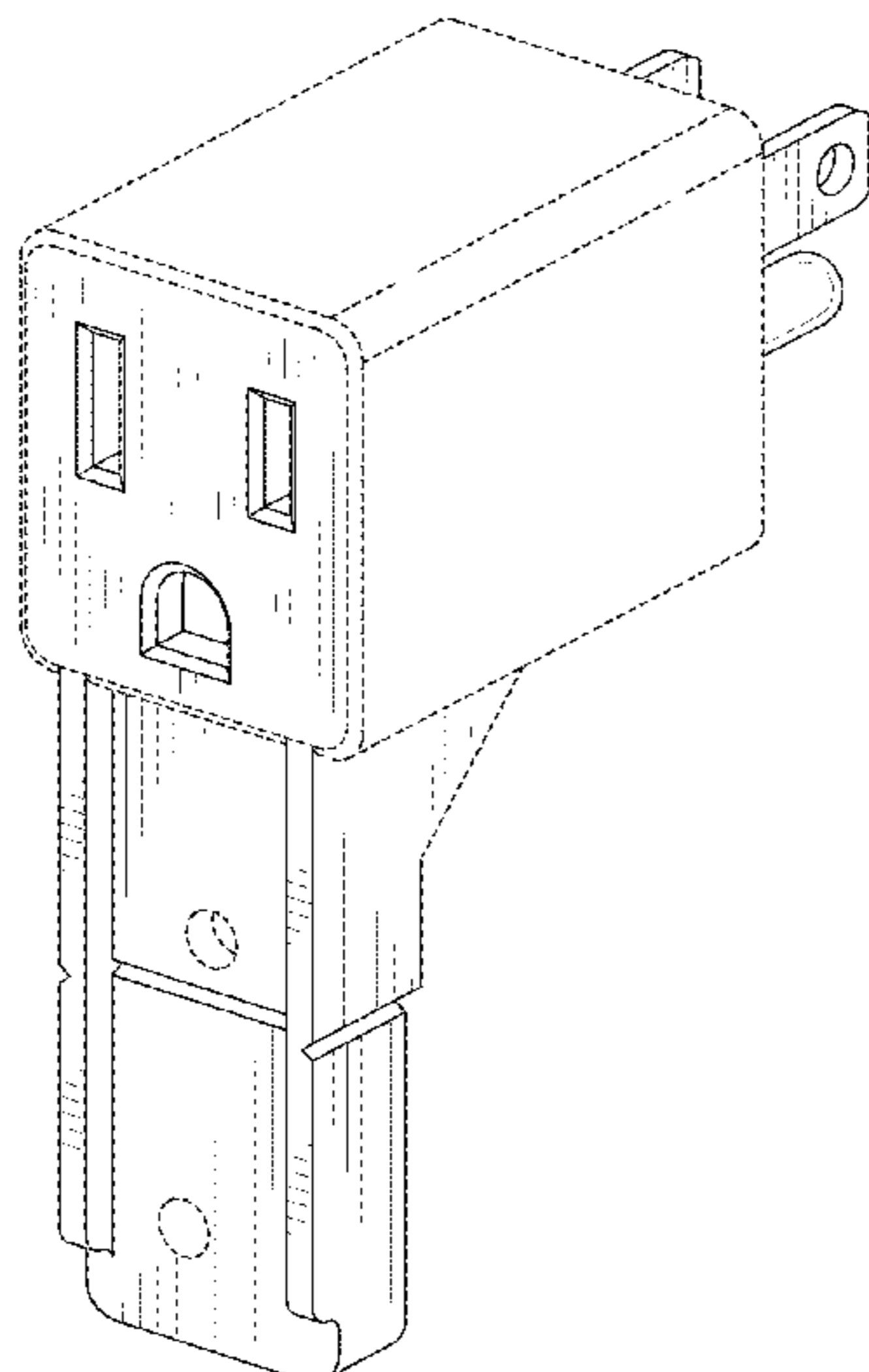
The ornamental design for a recessed receptacle power coupling, as shown and described.

DESCRIPTION

FIG. 1 is a front perspective view of the recessed receptacle power coupling, employing my new design; FIG. 2 is a rear perspective view of FIG. 1; FIG. 3 is a front side view of FIG. 1; FIG. 4 is a rear side view of FIG. 1; FIG. 5 is a right side view of FIG. 1; FIG. 6 is a left side view of FIG. 1; FIG. 7 is a top view of FIG. 1; FIG. 8 is a bottom view of FIG. 1; and, FIG. 9 is a front perspective view of the recessed receptacle power coupling, in the environment of a recessed electrical receptacle.

The broken lines in the drawings are for purposes of illustrating environment and portions of the recessed receptacle power coupling that form no part of the claimed design.

1 Claim, 9 Drawing Sheets



(56)

References Cited

U.S. PATENT DOCUMENTS

D734,723	S	*	7/2015	Scholeno	D13/133
D737,208	S	*	8/2015	Faul	D13/139.1
D740,228	S	*	10/2015	Page	D13/139.4
D741,267	S	*	10/2015	Byrne	D13/139.1
D744,952	S	*	12/2015	Ni	D13/139.3
D750,022	S	*	2/2016	Lin	D13/137.2
D755,127	S	*	5/2016	Wong	D13/137.2
D758,312	S	*	6/2016	Lin	D13/137.2
D769,819	S	*	10/2016	Banayan	D13/110
D770,976	S	*	11/2016	Xu	D13/110
2008/0094764	A1	*	4/2008	Zhang	H01R 13/665 361/42

* cited by examiner

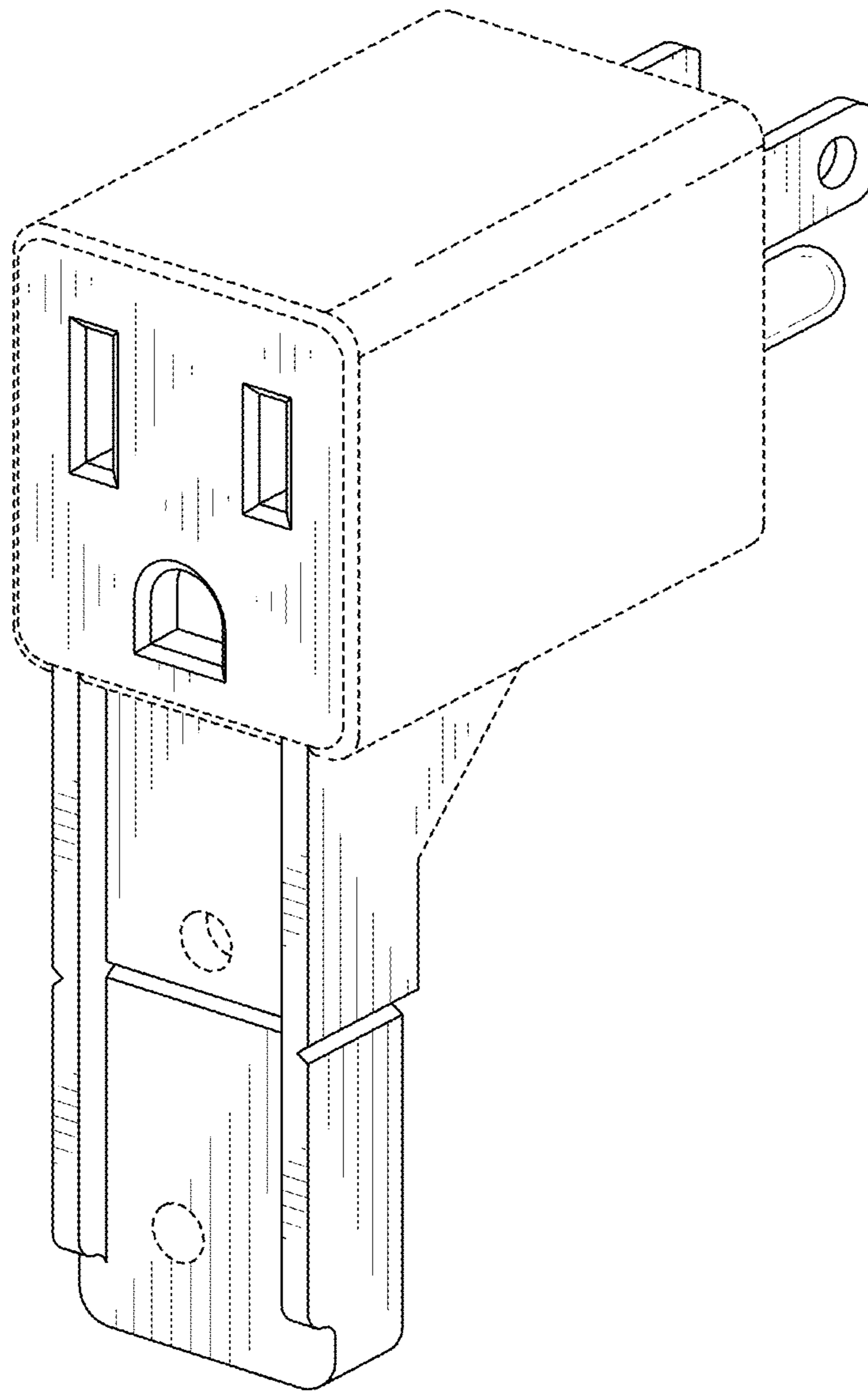


FIG. 1

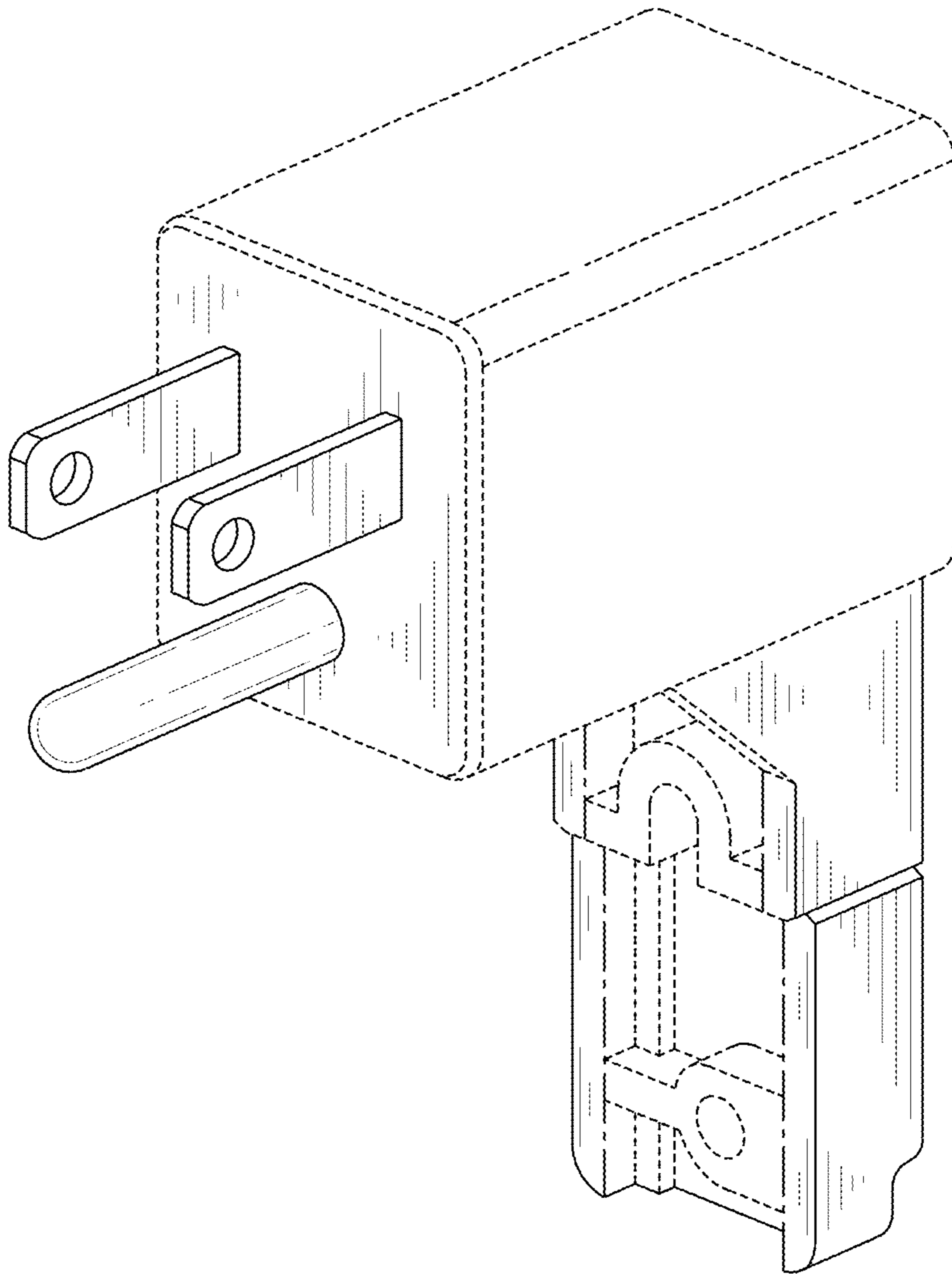


FIG. 2

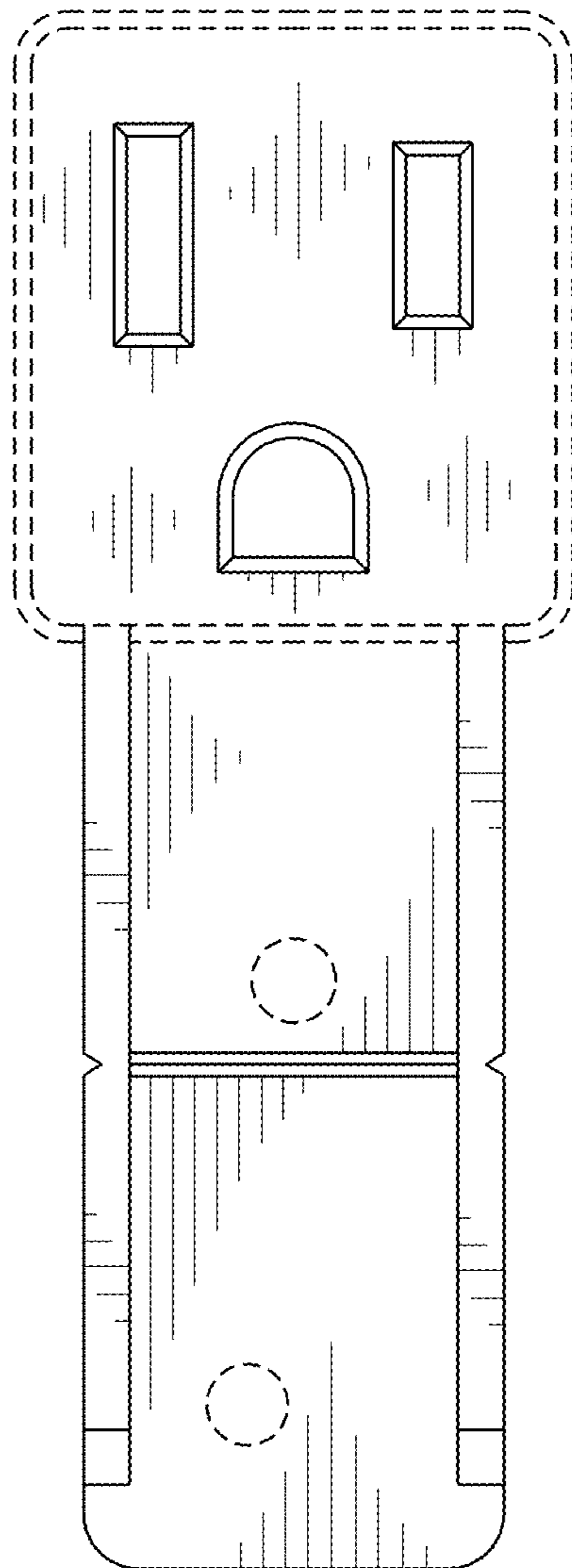


FIG. 3

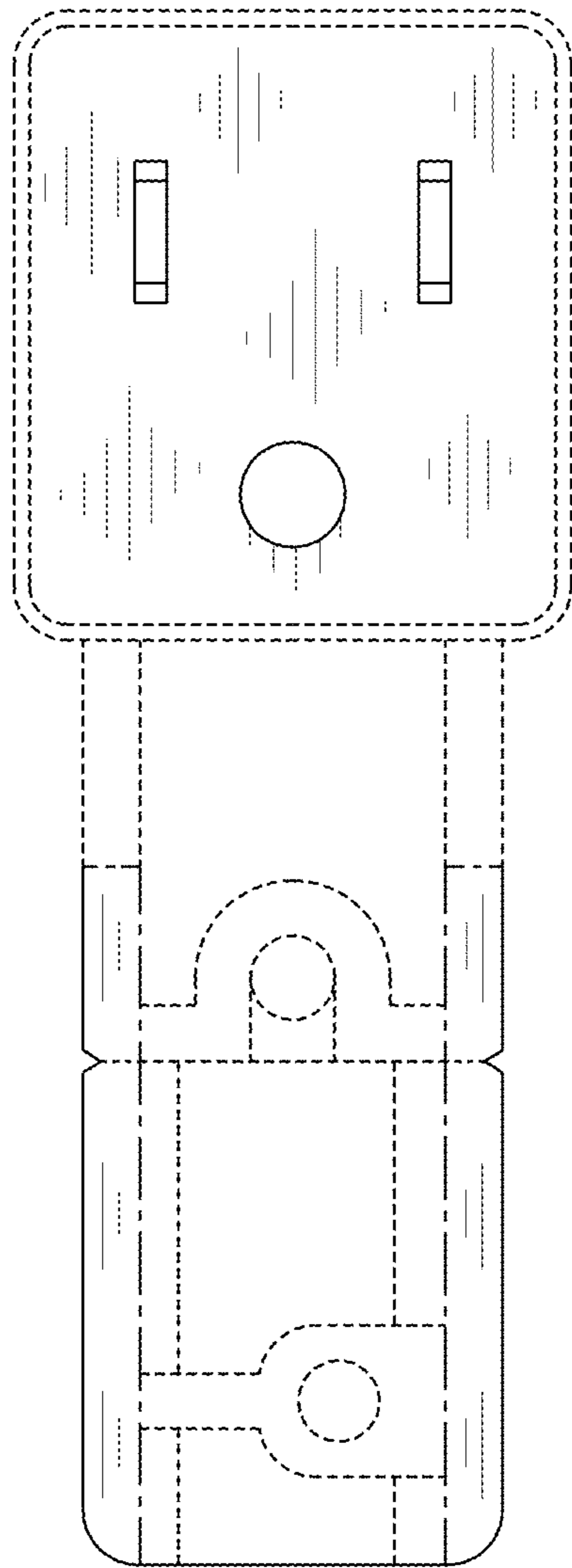


FIG. 4

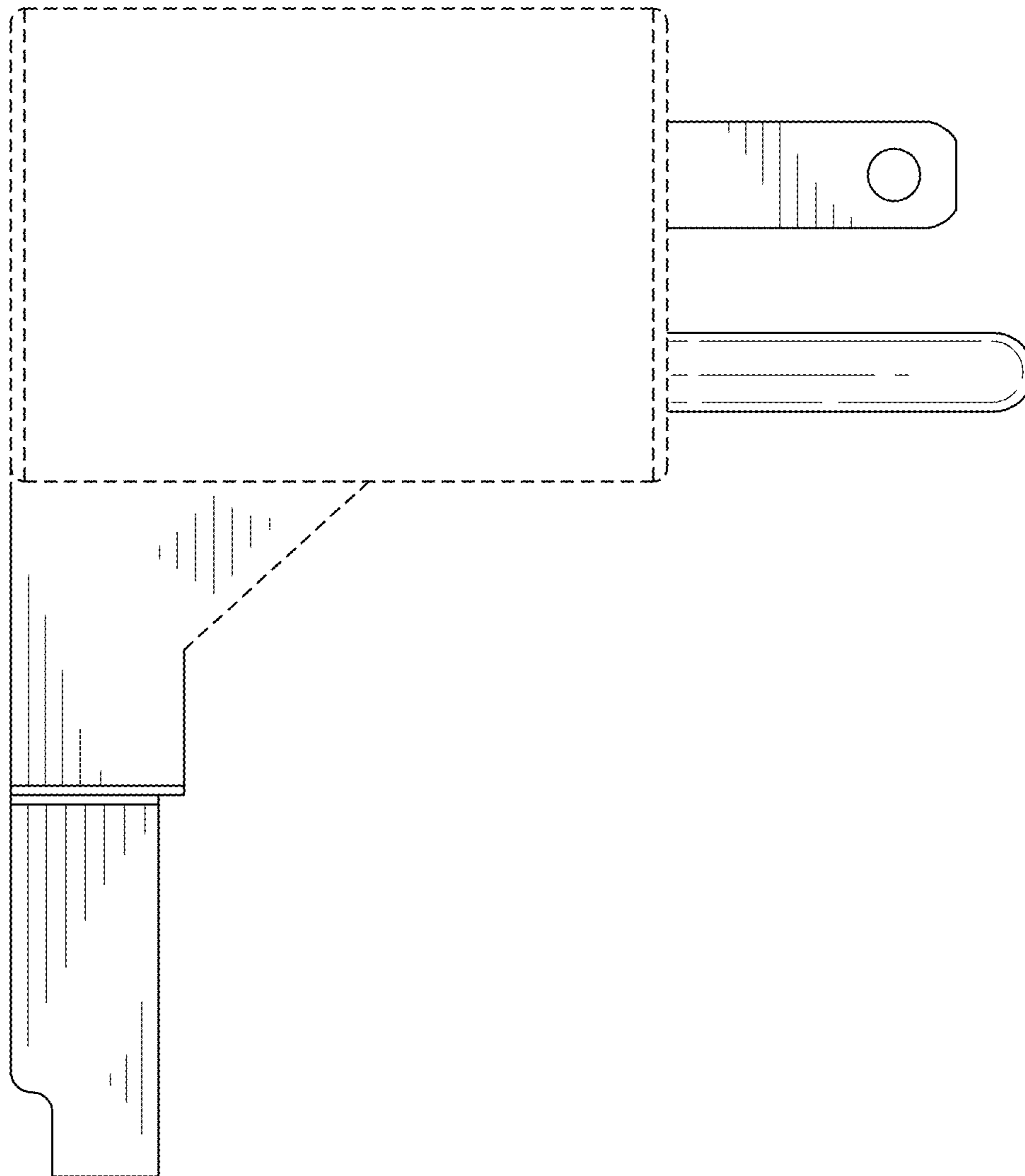


FIG. 5

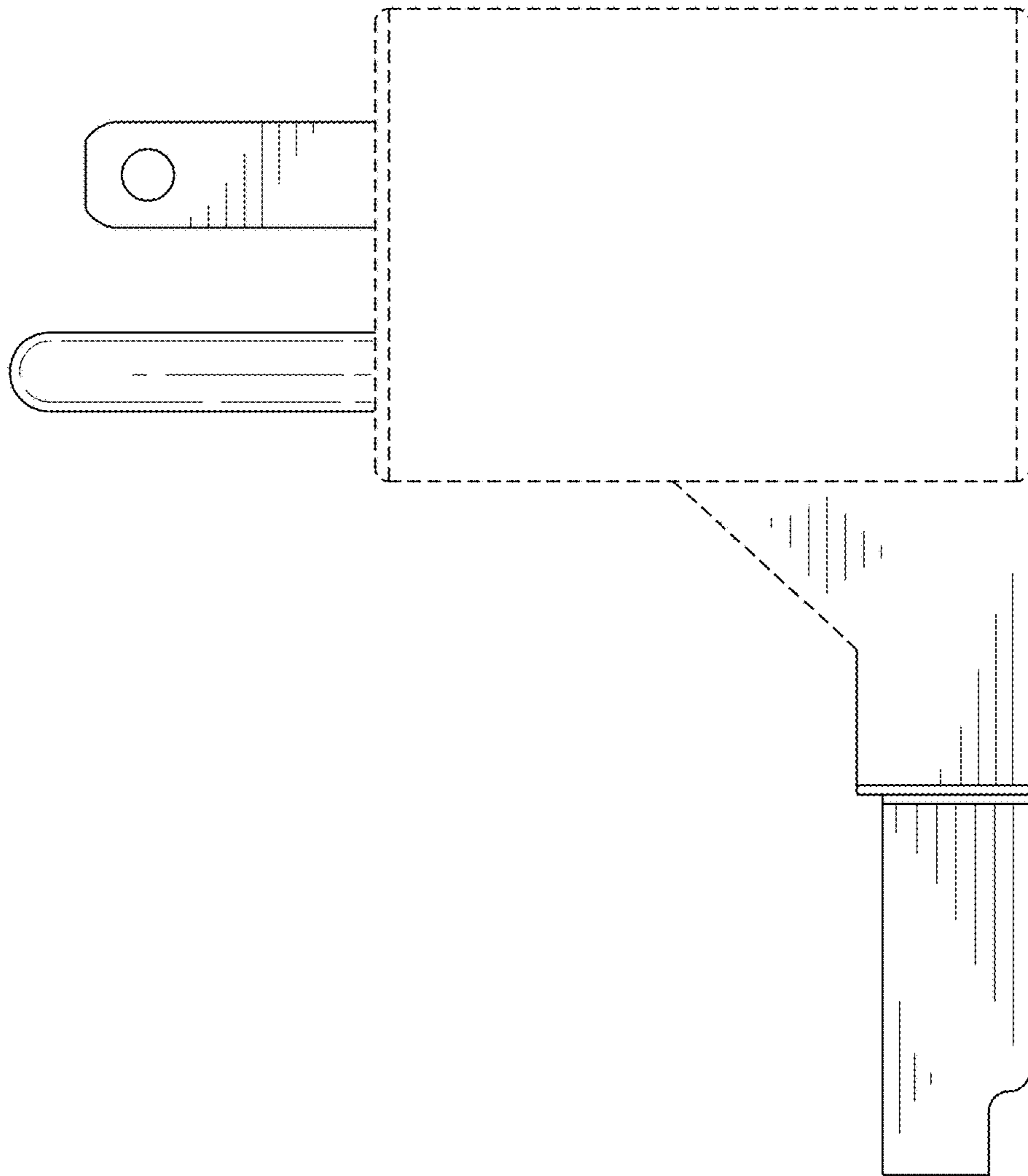


FIG. 6

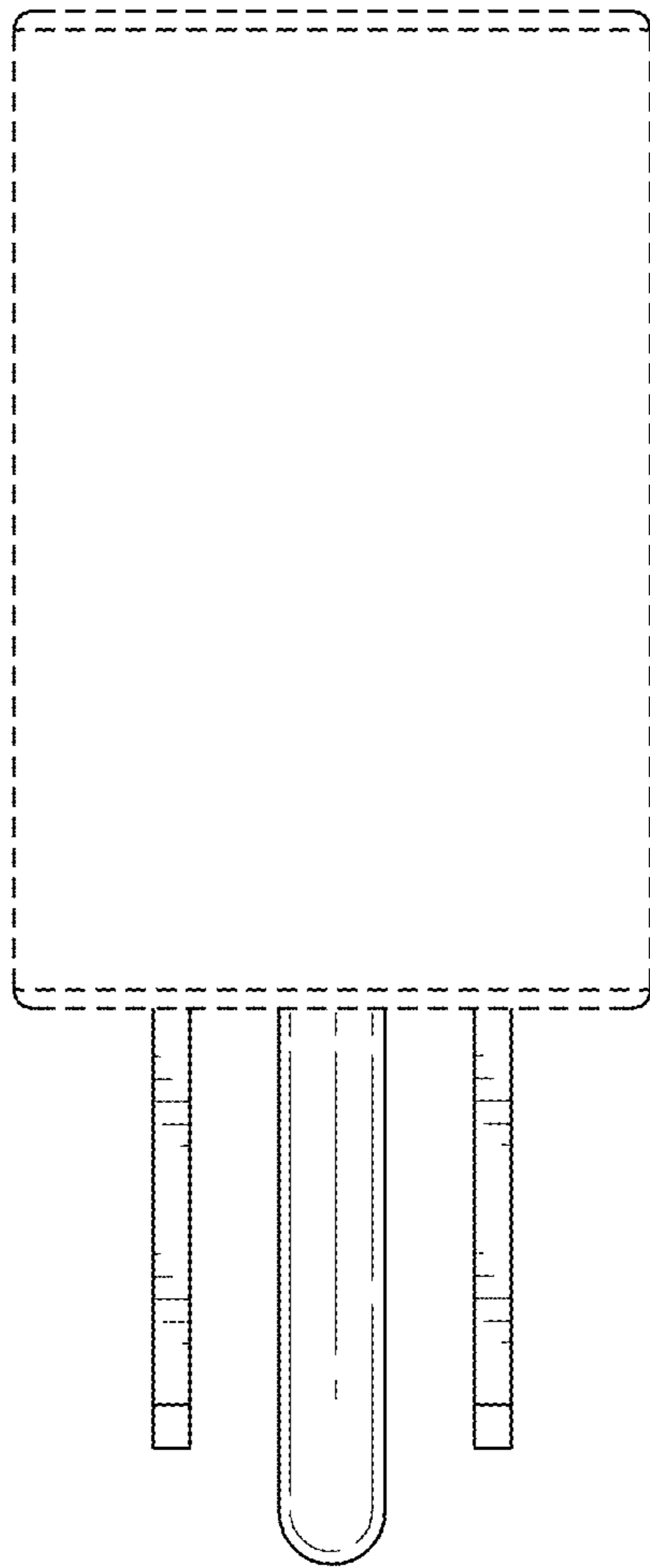


FIG. 7

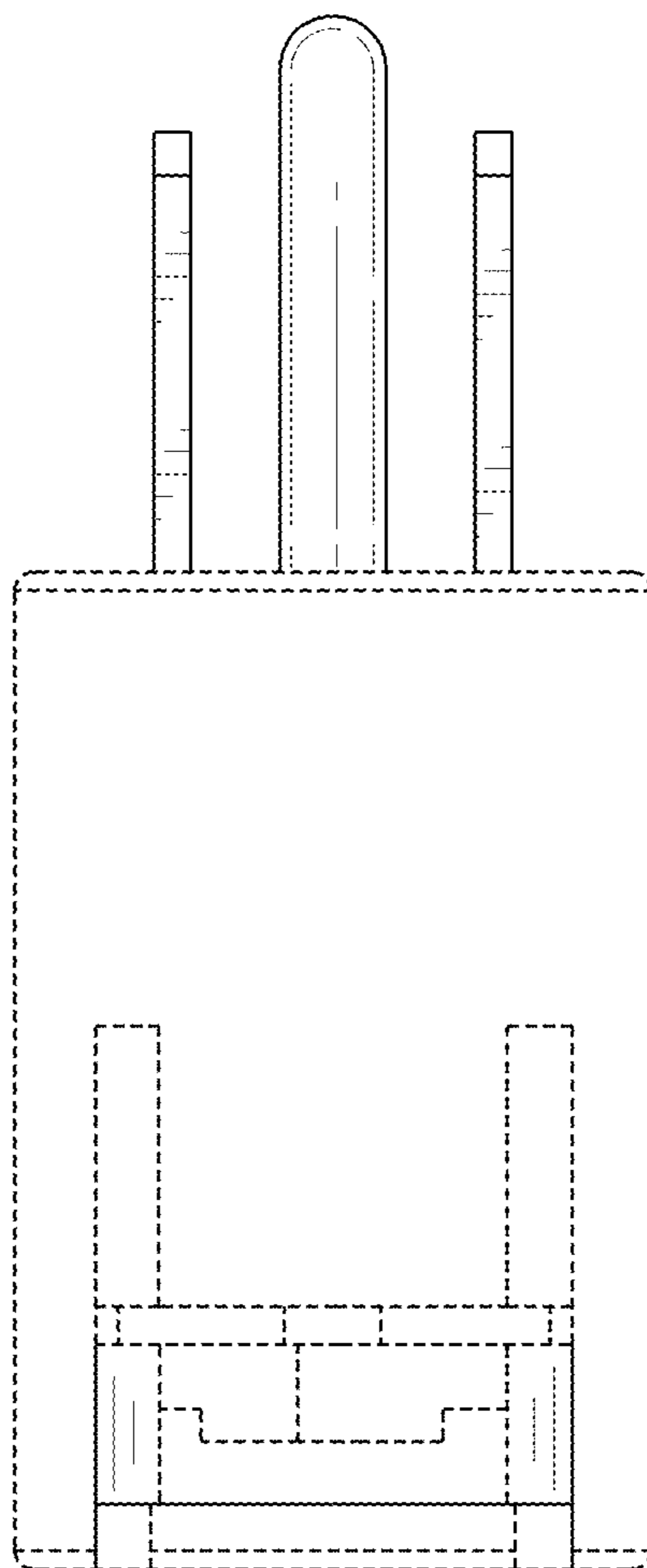


FIG. 8

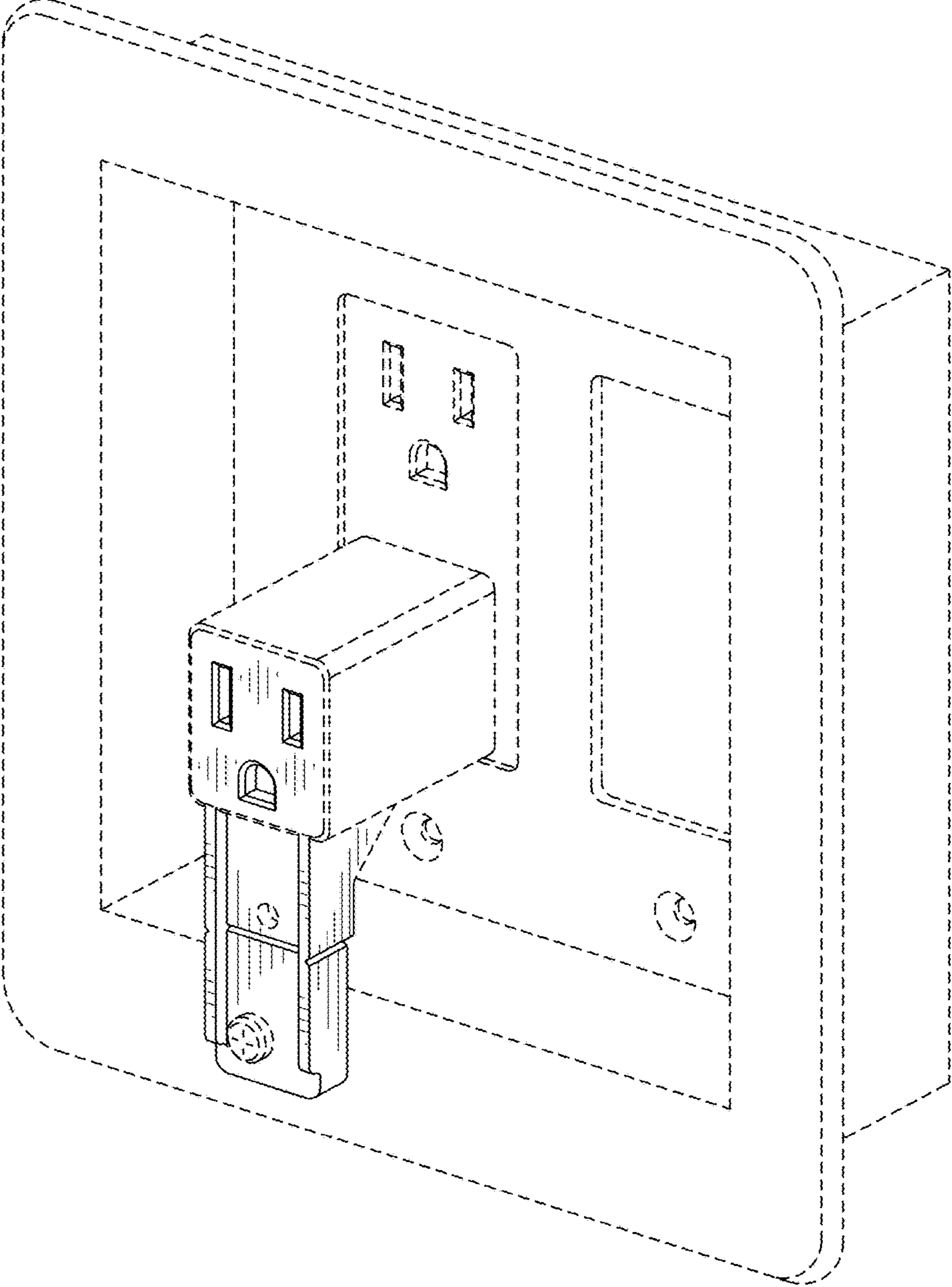


FIG. 9