

US00D838243S

(12) **United States Design Patent** (10) **Patent No.:** **US D838,243 S**
Rits (45) **Date of Patent:** **** Jan. 15, 2019**

(54) **WINDMILL**
 (71) Applicant: **RITS GABRIEL**, Moorslede (BE)
 (72) Inventor: **Gabriel Rits**, Moorslede (BE)
 (**) Term: **15 Years**
 (21) Appl. No.: **35/502,425**
 (22) Filed: **Oct. 10, 2016**

D570,774 S *	6/2008	Murakami	D13/115
D570,775 S *	6/2008	Murakami	D13/115
D570,776 S *	6/2008	Murakami	D13/115
D584,685 S *	1/2009	Murakami	D13/115
D585,020 S *	1/2009	Murakami	D13/115
D591,234 S *	4/2009	Unno	D13/115
D663,689 S *	7/2012	Lee	D13/115
D666,969 S *	9/2012	Hara	D13/115
D668,606 S *	10/2012	Lee	D13/115
D683,312 S *	5/2013	Damageux	D13/115
D683,699 S *	6/2013	Damageux	D13/115

* cited by examiner

(80) **Hague Agreement Data**

Int. Filing Date: **Oct. 10, 2016**
 Int. Reg. No.: **DM/094491**
 Int. Reg. Date: **Oct. 10, 2016**
 Int. Reg. Pub. Date: **Feb. 10, 2017**

Primary Examiner — Rhea Shields

(57) **CLAIM**

The ornamental design for a windmill, as shown and described.

(51) **LOC (11) Cl.** **13-01**
 (52) **U.S. Cl.**
 USPC **D13/115**
 (58) **Field of Classification Search**
 USPC D13/118, 115; 290/54
 CPC F03D 3/0454
 See application file for complete search history.

DESCRIPTION

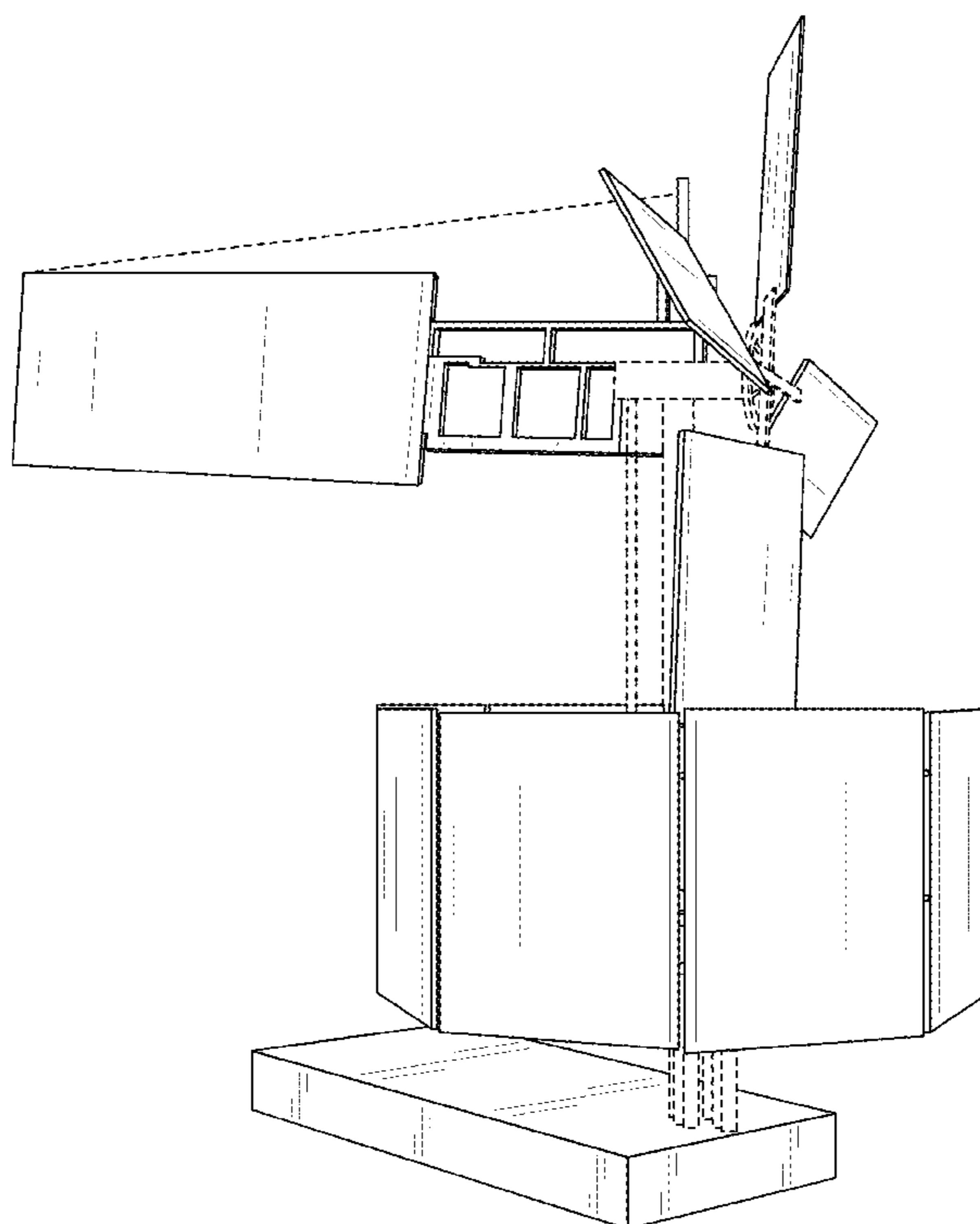
1. Windmill
1.1 is a front perspective view;
1.2 is a side perspective view;
1.3 is a side perspective view;
1.4 is a rear perspective view;
1.5 is a side perspective view; and
1.6 is a top perspective view.
 The broken lines are shown for the purpose of illustrating subject matter that forms no part of the claimed design.

(56) **References Cited**

U.S. PATENT DOCUMENTS

5,038,049 A *	8/1991	Kato	F03D 3/0454
				290/54
D561,690 S *	2/2008	Schaap	D13/118

1 Claim, 6 Drawing Sheets



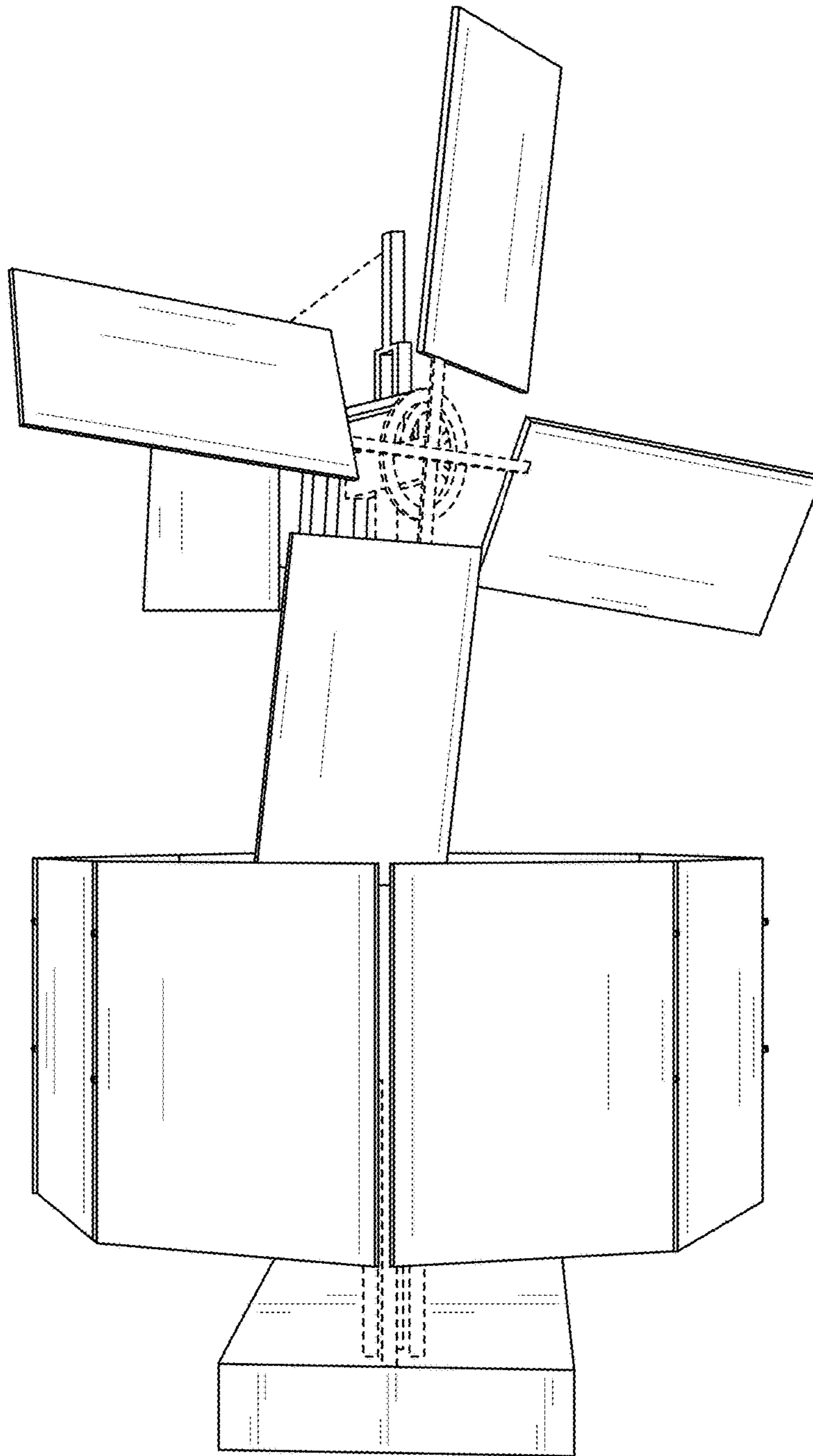


FIG. 1.1

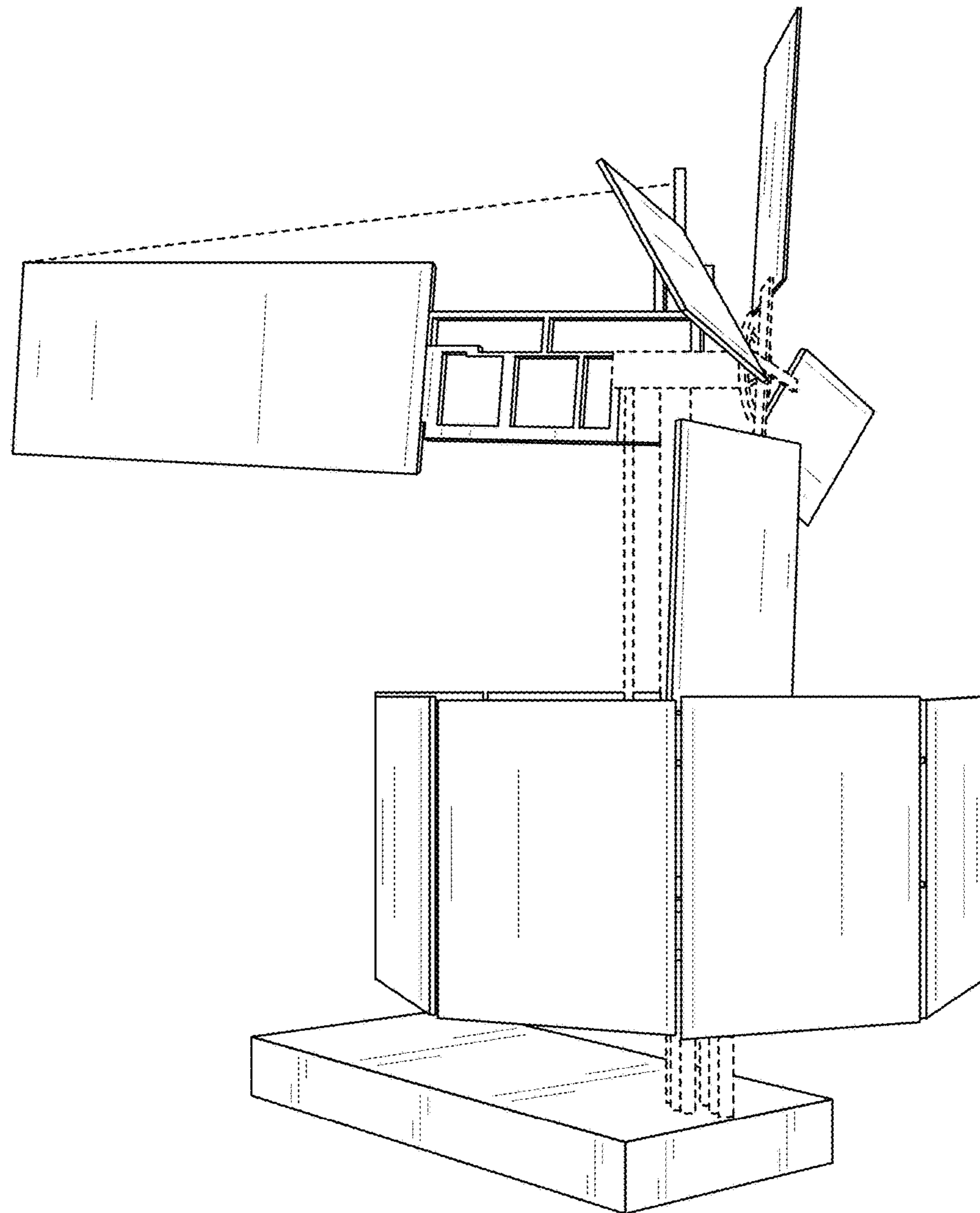


FIG. 1.2

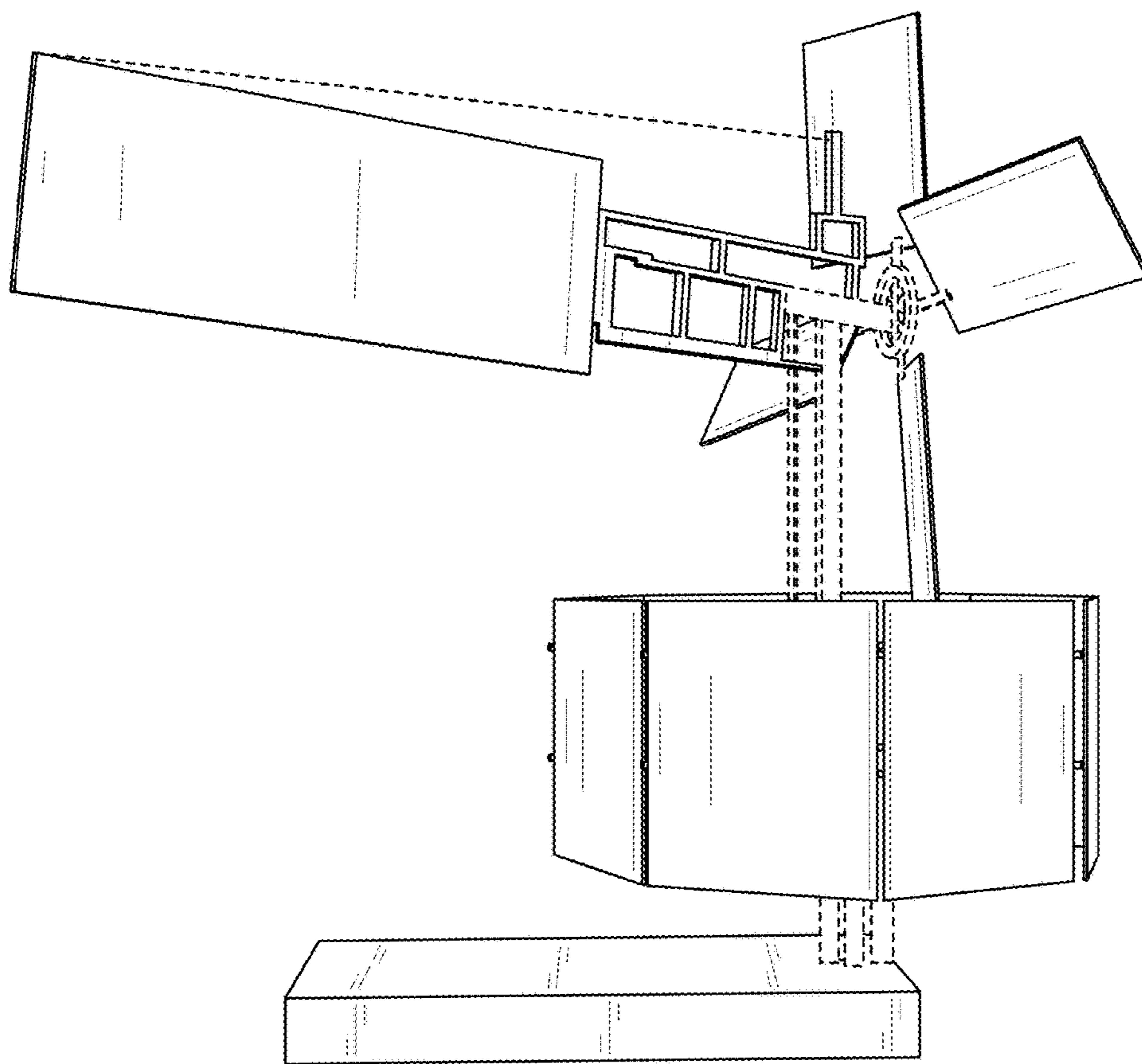


FIG. 1.3

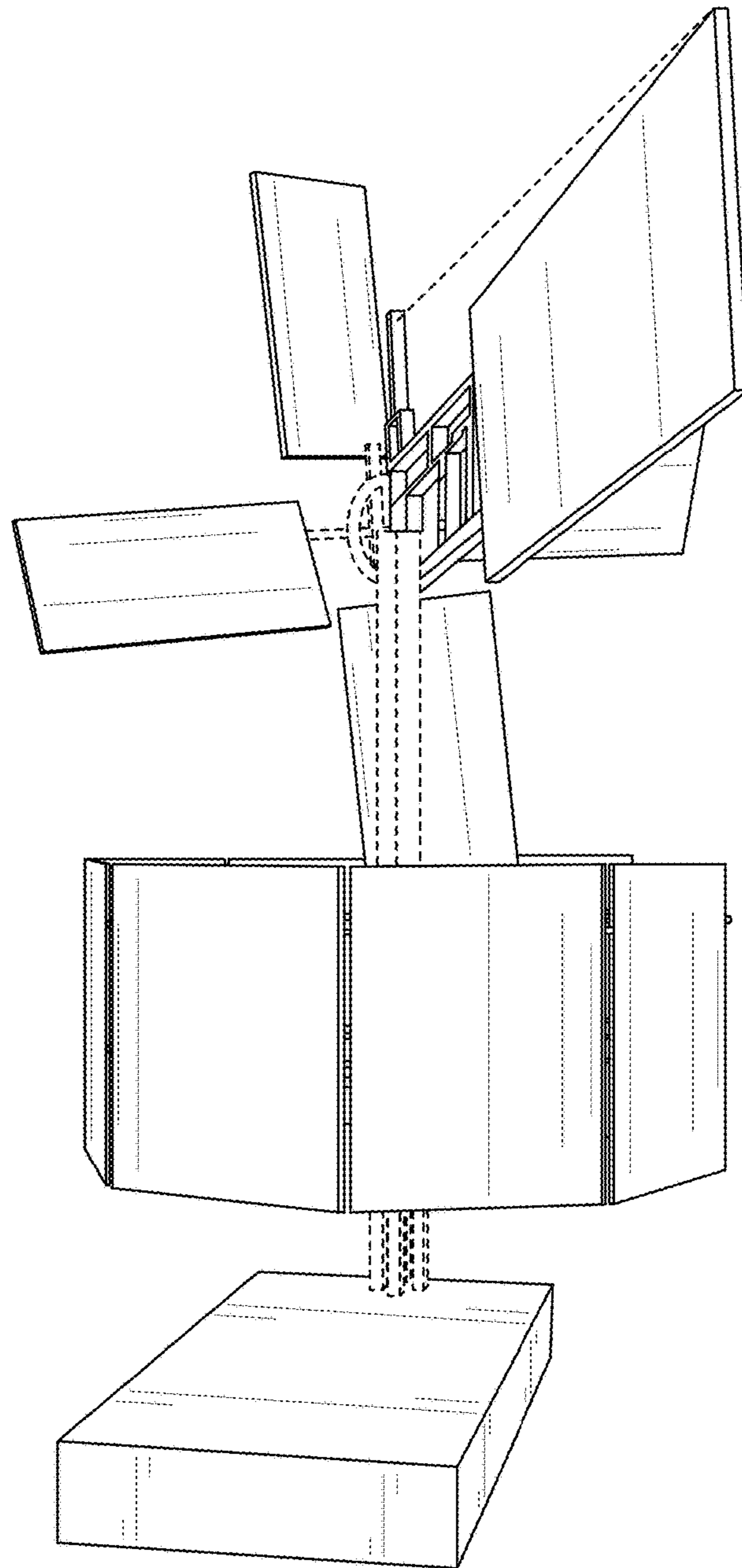


FIG. 1.4

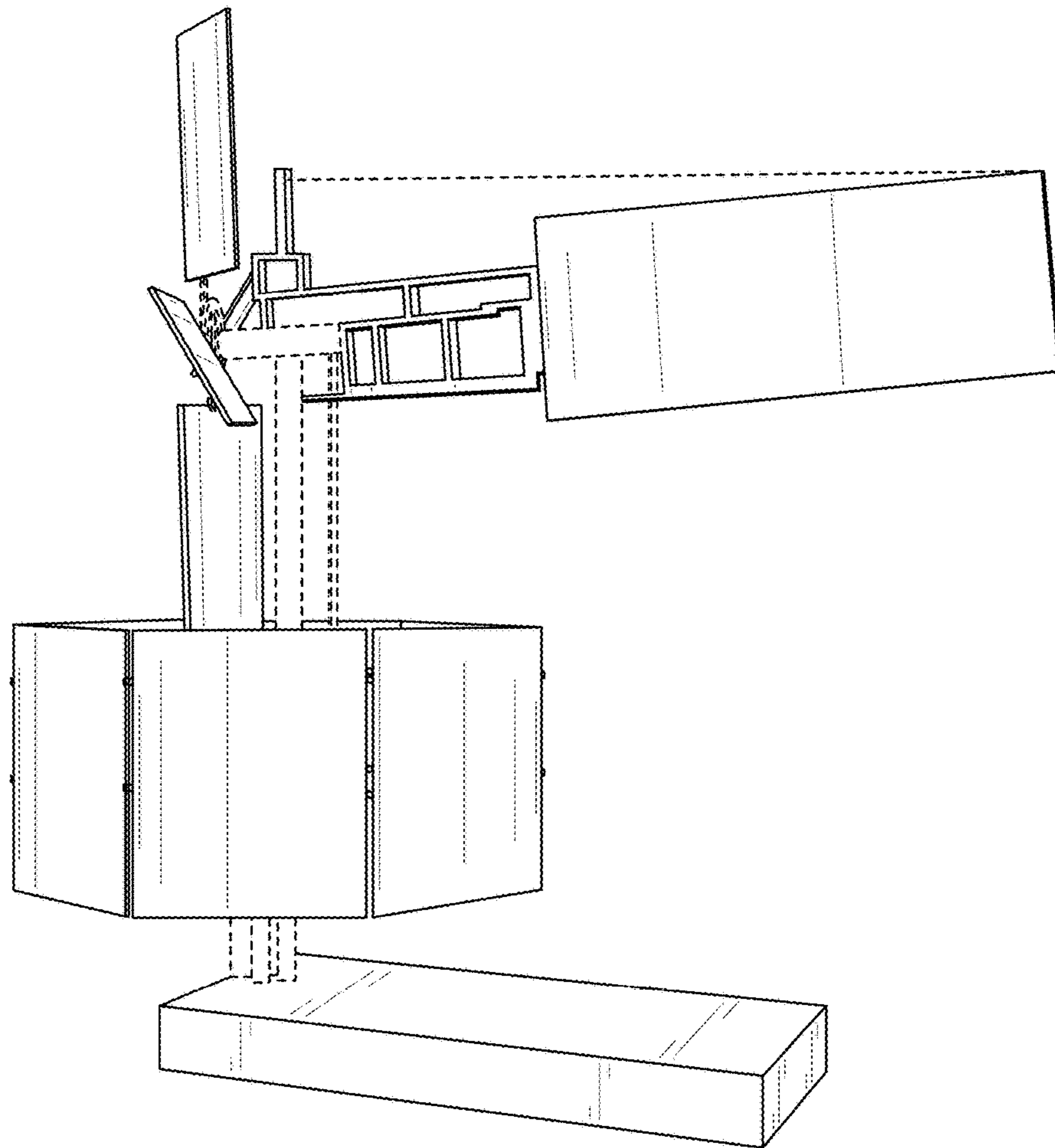


FIG. 1.5

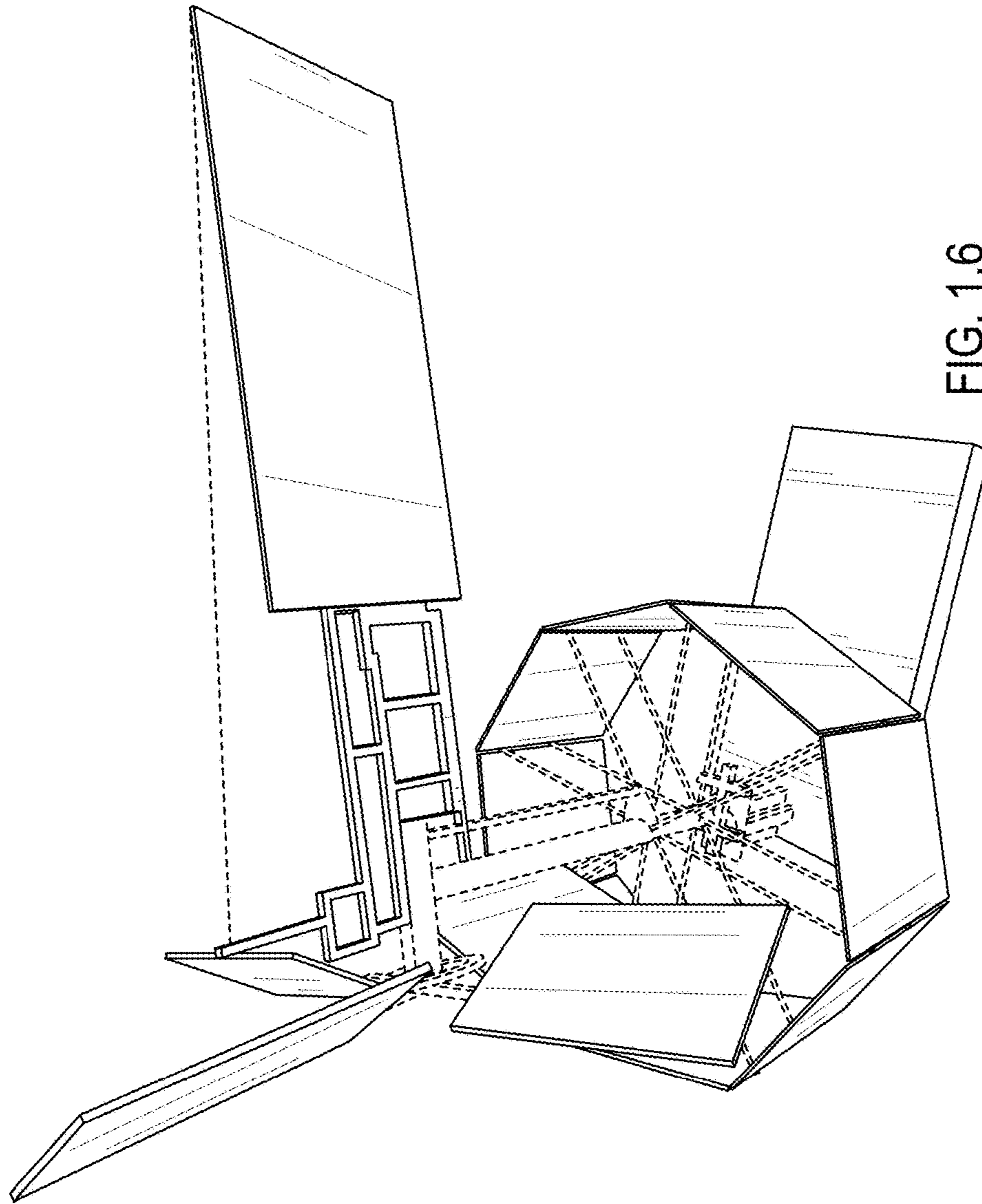


FIG. 1.6