



US00D838240S

(12) **United States Design Patent**  
**Rostami**

(10) **Patent No.:** **US D838,240 S**  
(45) **Date of Patent:** **\*\* Jan. 15, 2019**

- (54) **PORTABLE POWER SUPPLY**
- (71) Applicant: **Advanced Wireless Innovations LLC**,  
Santa Monica, CA (US)
- (72) Inventor: **Ramin Rostami**, Calabasas, CA (US)
- (73) Assignee: **ADVANCED WIRELESS INNOVATIONS, LLC**, Santa Monica, CA (US)

(\*\*) Term: **15 Years**

(21) Appl. No.: **29/589,973**

(22) Filed: **Jan. 5, 2017**

(51) **LOC (11) Cl.** ..... **13-02**

(52) **U.S. Cl.**

USPC ..... **D13/108**; D13/103

(58) **Field of Classification Search**

USPC ..... D13/102-104, 110, 118-121, 184, 199,  
D13/107, 108; D14/356, 432; D20/27,  
D20/22

CPC ..... Y02E 60/12; Y02E 60/122; Y02E 60/124;  
Y02E 60/50; H01M 10/4257; H01M  
10/0436; H01M 10/48; H01M 10/44;  
H01M 10/46; H01M 10/482; H01M  
10/465; H01M 2/02; H01M 2/022; H01M  
2/0202; H01M 2/0207; H01M 2/0212;  
H01M 2/1061; H01M 2/1022; H01M  
2/1055; H01M 2/1066; H01M 2/105;  
H01M 2/204; H02J 7/00; H02J 7/0003;  
H02J 7/0011; H02J 7/0013; H02J 7/0054;  
H02J 7/0055; H02J 7/0057; H02J  
2007/0062

See application file for complete search history.

(56) **References Cited**

**U.S. PATENT DOCUMENTS**

D287,864 S 1/1987 Perfect  
D377,810 S 2/1997 Chaperon

D590,392 S \* 4/2009 Wang ..... D14/356  
D592,660 S 5/2009 Wang  
D599,409 S 9/2009 Kan  
D602,430 S 10/2009 Green et al.  
8,013,478 B2 9/2011 Chen et al.  
D665,851 S 8/2012 Davis  
D666,144 S \* 8/2012 Brand ..... D13/103  
D680,062 S 4/2013 Lien  
D683,314 S 5/2013 Andre et al.  
D686,153 S 7/2013 Qu

(Continued)

**FOREIGN PATENT DOCUMENTS**

CA 2939721 A1 8/2014  
CN 203674765 U 6/2014

(Continued)

**OTHER PUBLICATIONS**

“Jump Cable.” Native Union, <http://www.nativeunion.com/jump-cable/>. Accessed on Jan. 5, 2017. pp. 1-2.

(Continued)

*Primary Examiner* — Rosemary K Tarcza

*Assistant Examiner* — Christy M Nemeth

(74) *Attorney, Agent, or Firm* — Mintz Levin Cohn Ferris  
Glovsky and Popeo, P.C.

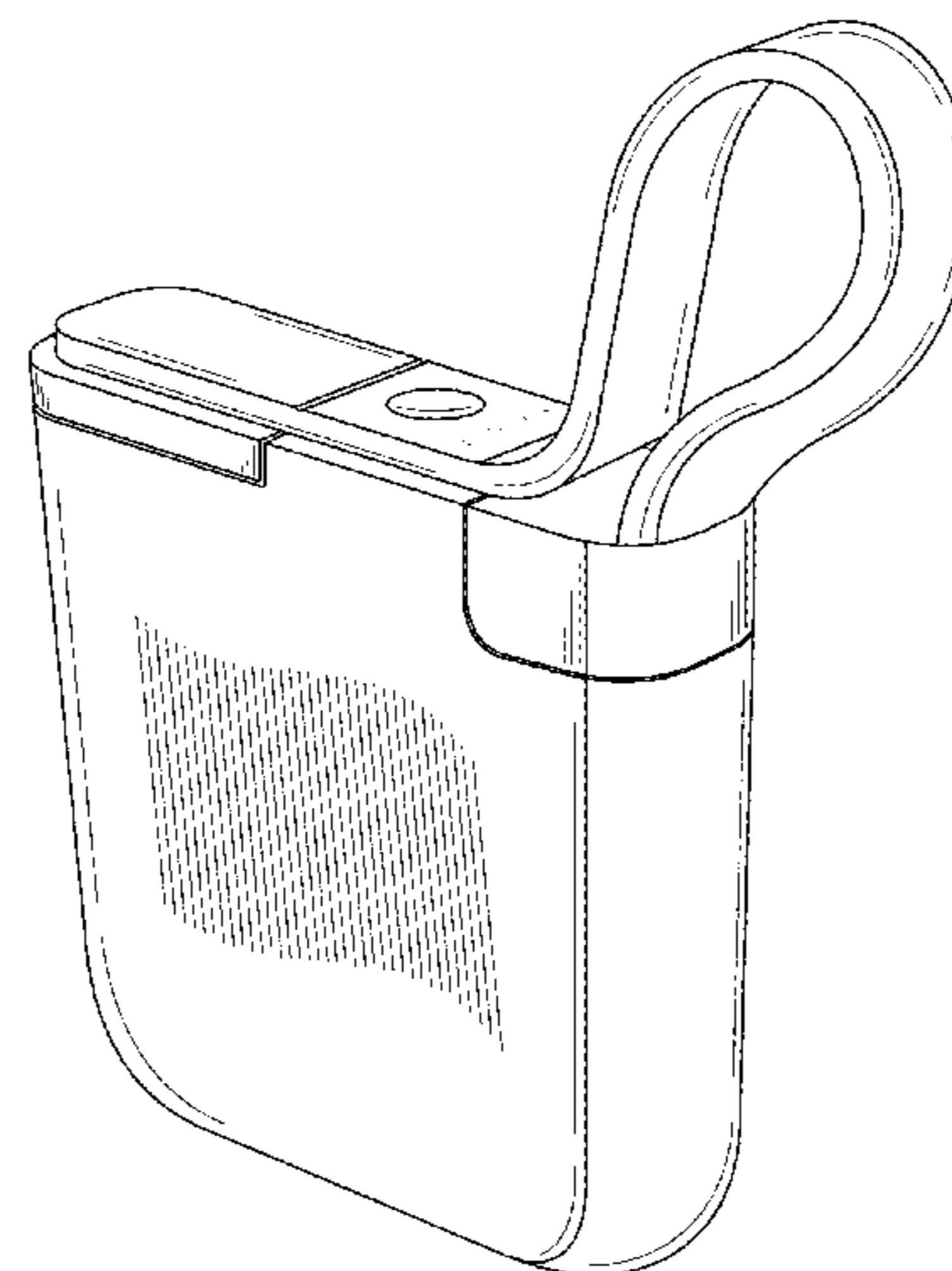
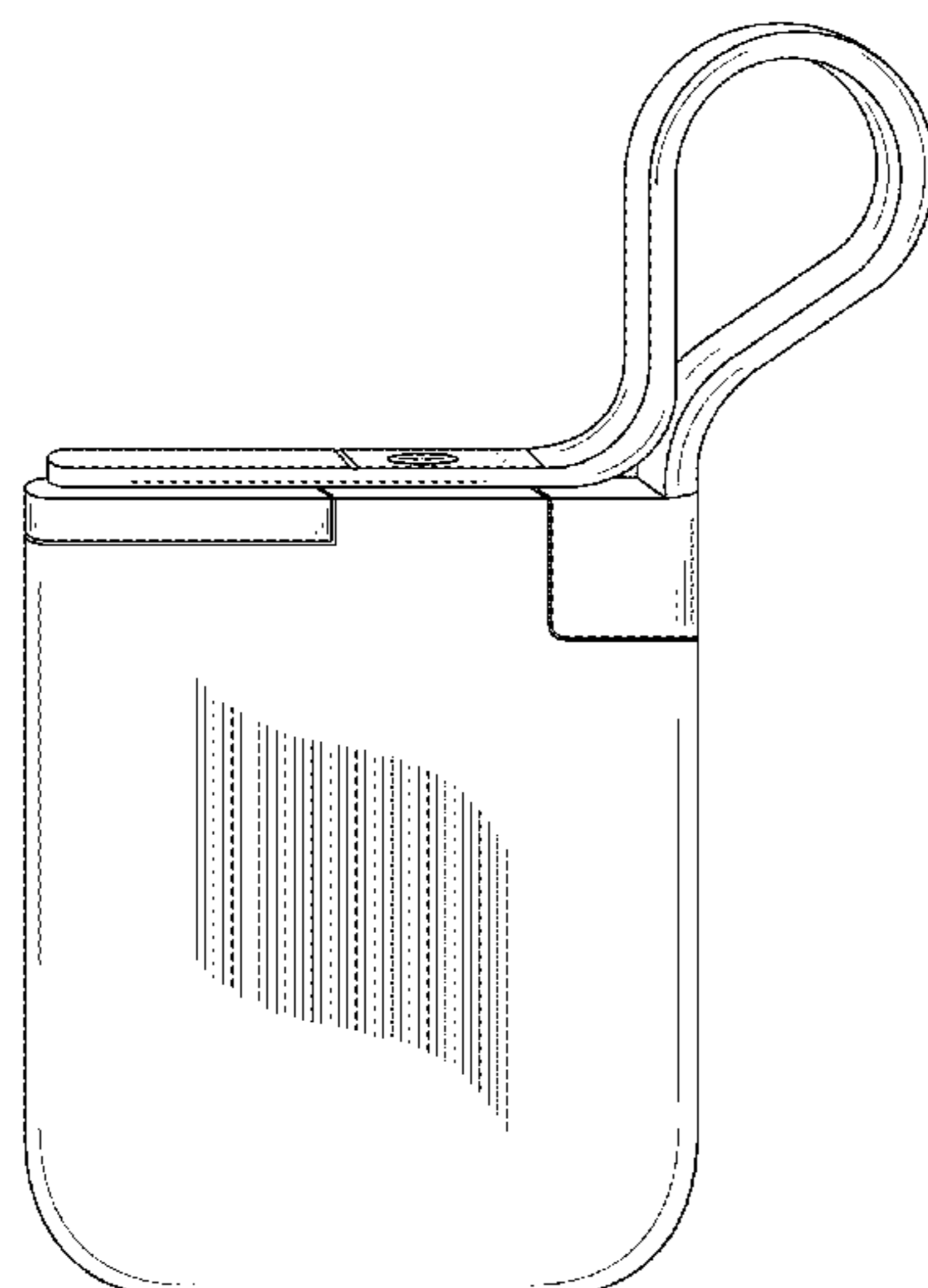
(57) **CLAIM**

The ornamental design for a portable power supply, as shown and described.

**DESCRIPTION**

FIG. 1 is a side perspective view of a portable power supply of my new design; FIG. 2 is a rear, side perspective view thereof; and, FIG. 3 is a top, side perspective view thereof. The broken lines in the drawings are for the purpose of illustrating portions of the portable power supply that form no part of the claimed design.

**1 Claim, 3 Drawing Sheets**



(56)

References Cited

U.S. PATENT DOCUMENTS

D693,299 S 11/2013 Zaslaysky et al.  
 D706,228 S 6/2014 Ishiura  
 D719,504 S 12/2014 Zsolcsak et al.  
 D721,646 S \* 1/2015 Kim ..... D13/103  
 D722,961 S \* 2/2015 Lin ..... D13/103  
 D725,591 S \* 3/2015 Chien ..... D13/103  
 D726,654 S 4/2015 Jung et al.  
 D738,302 S 9/2015 Jeong et al.  
 9,153,985 B1 10/2015 Gjovik et al.  
 D742,311 S \* 11/2015 Miller ..... D13/103  
 D745,456 S 12/2015 Fung et al.  
 9,318,915 B2 4/2016 Miller et al.  
 D756,943 S 5/2016 Epstein et al.  
 D757,646 S 5/2016 Pearson  
 D760,162 S 6/2016 Park et al.  
 D760,645 S 7/2016 Chen  
 D762,164 S \* 7/2016 Lin ..... D13/103  
 D764,404 S \* 8/2016 Lau ..... D13/103  
 D765,593 S \* 9/2016 Hoshikawa ..... D13/103  
 D766,179 S 9/2016 Polk  
 D768,068 S 10/2016 Chen  
 D770,376 S \* 11/2016 Baum ..... D13/103  
 D772,807 S \* 11/2016 Chen ..... D13/103  
 D776,051 S 1/2017 Wang  
 D780,113 S 2/2017 Xianxi  
 D783,523 S \* 4/2017 Jang ..... D13/103  
 D795,185 S 8/2017 Sollberger  
 D795,801 S \* 8/2017 Fletcher ..... D13/103  
 2013/0082543 A1 4/2013 Tang  
 2015/0346773 A1 12/2015 Choi  
 2015/0380962 A1 \* 12/2015 Hsu ..... H02J 7/0044  
 320/114  
 2016/0049818 A1 2/2016 Yao et al.  
 2016/0197445 A1 7/2016 Bryngelsson et al.

FOREIGN PATENT DOCUMENTS

CN 201330527430.5 6/2014  
 CN 104767229 A 7/2015  
 CN 204668991 U 9/2015  
 DE 0027580110002 8/2015  
 HK 1300804 10/2013  
 HK 1400589.4 10/2014  
 JP 1452553 S 10/2012  
 KR 2012012768 A 11/2012  
 KR 3020140052607 1/2015  
 KR 3020150064678 6/2016  
 WO WO-2015/069095 A1 5/2015

OTHER PUBLICATIONS

“MyCharge.” Geek Mom, <http://geekmom.com/tag/mycharge/>. Jun. 21, 2012. Web. Accessed on Nov. 16, 2016. pp. 1-13.  
 “Portable Charger RAVPower 9000mAh Power Bank.” Amazon, <https://www.amazon.com/RAVPower-Certified-Lightning-Connector-Compatibility/dp/B00Q2B5KY2>. Accessed on Jan. 5, 2017. 5 pages.  
 “Thino.” Bebop, <http://bebopdesigners.com/thino>. Accessed on Nov. 16, 2016. pp. 1-9.  
 Hohn, Holger. “Philips PowerPouch DLP7003.” Behance, <https://www.behance.net/gallery/32957699/Philips-PowerPouch-DLP7003-2015>. Web. Accessed on Jan. 5, 2017. pp. 1-4.  
 Liszewski, Andrew, “This Portable Charger Has Every Connector You’ll Need, Even AC Prongs.” Gizmodo, Nov. 12, 2014, <http://gizmodo.com/this-portable-charger-has-every-connector-youll-need-e-1657911281>. Accessed Apr. 4, 2017. 2 pages.

\* cited by examiner

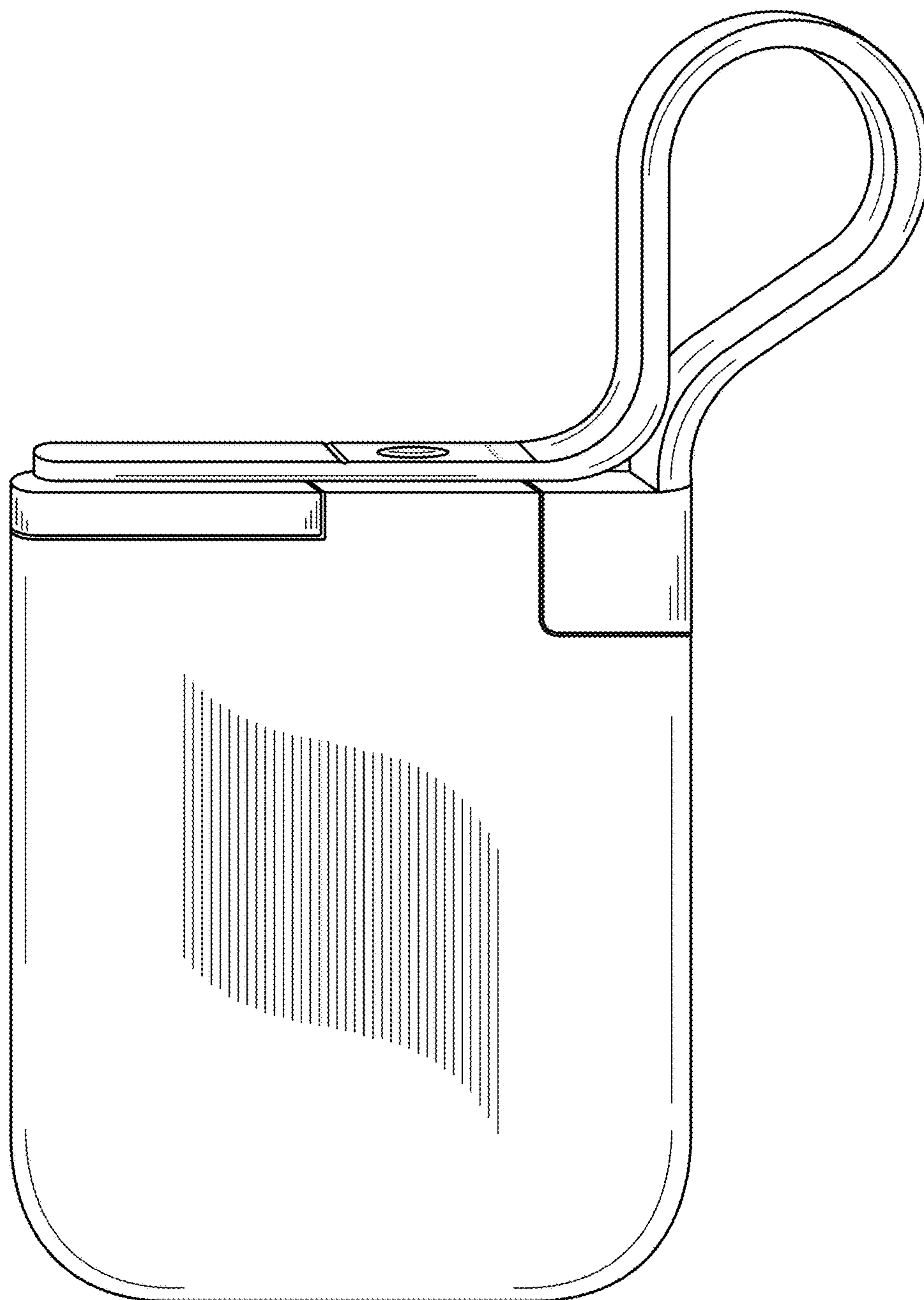


FIG. 1

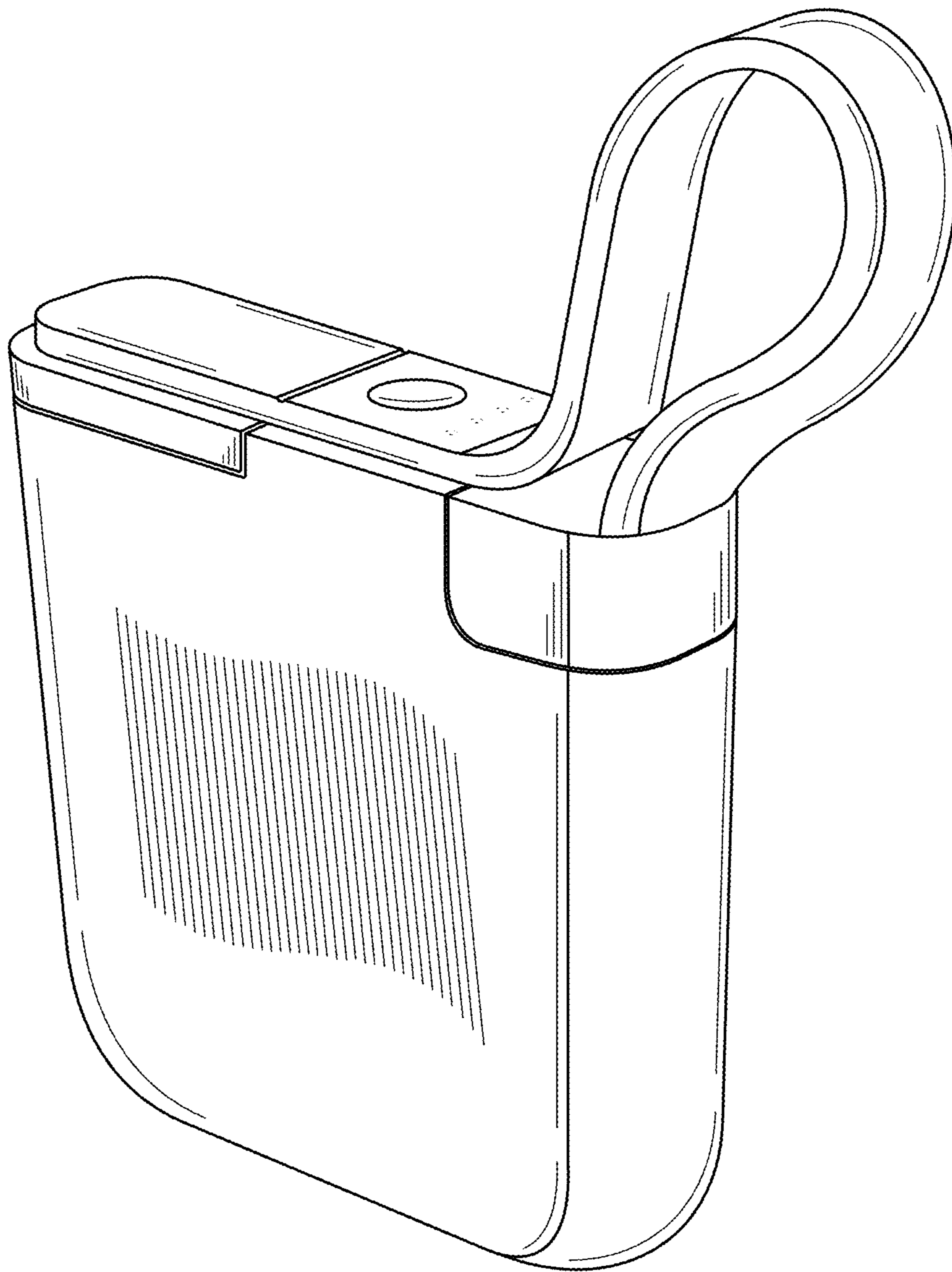


FIG. 2

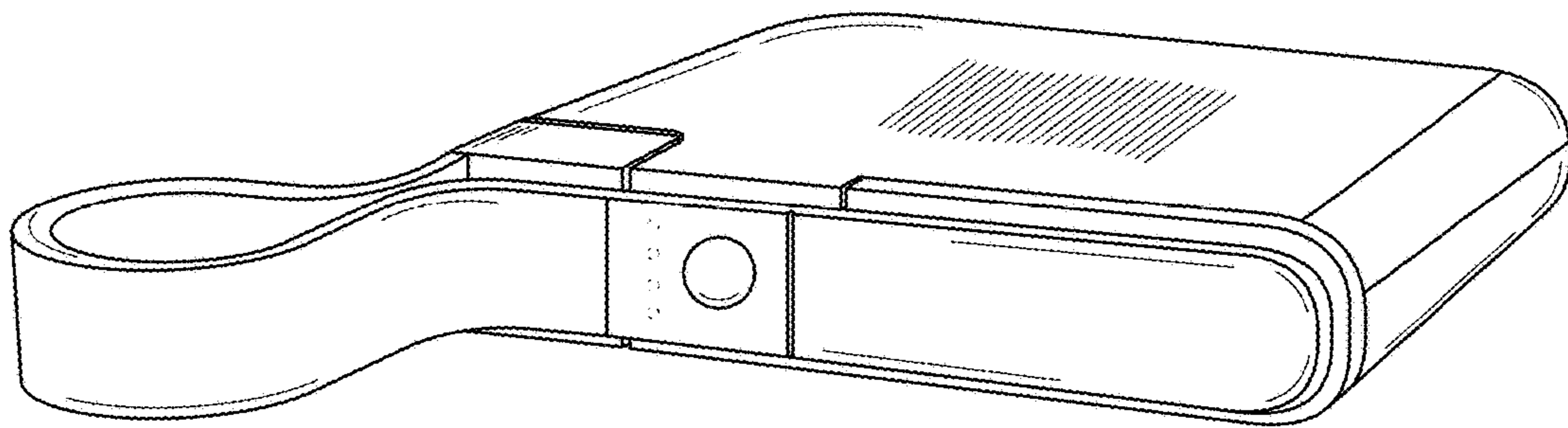


FIG. 3