



US00D838239S

(12) **United States Design Patent**
Stray et al.

(10) **Patent No.:** **US D838,239 S**
(45) **Date of Patent:** **** Jan. 15, 2019**

(54) **BATTERY CHARGER**

(71) Applicant: **ATLAS COPCO INDUSTRIAL
TECHNIQUE AB**, Nacka (SE)

(72) Inventors: **Ola Stray**, Saltsjöbaden (SE); **Erik
Borg**, Stockholm (SE); **Tobias Larsson**,
Årsta (SE)

(73) Assignee: **Atlas Copco Industrial Technique AB**,
Nacka (SE)

(**) Term: **15 Years**

(21) Appl. No.: **29/605,365**

(22) Filed: **May 25, 2017**

(30) **Foreign Application Priority Data**

Nov. 25, 2016 (EM) 003482660-0003

(51) **LOC (11) Cl.** **13-02**

(52) **U.S. Cl.**
USPC **D13/107**

(58) **Field of Classification Search**

USPC D13/102, 103, 104, 105, 106, 107, 108,
D13/109, 110, 118, 119, 184, 199;
D14/203.3–203.8, 217, 248, 250–253,
D14/432, 434, 440, 450, 496; D3/201,
D3/218, 269, 301, 273, 303
CPC H02J 2001/008; H02J 3/32; H02J 3/008;
H02J 7/0027; H02J 7/0013; H02J 7/0054;
H02J 7/00; H02J 7/025; H02J 7/0042;
H02J 7/0044; H02J 7/0045; H02J 7/0003;
H02J 7/0055; H02J 7/0057; B60R 16/03;
B60L 11/1809; B60L 11/1861; B60L
11/182; H01R 13/6675; H01R 13/70;
H01R 13/71; H01R 13/66; H01R
2201/26; H01M 2/1022; H01M 2/1055;
H01M 10/44; H01M 10/46; H01M
10/425; H01M 2/02; H01M 2/022; H01M
2/0202; H01M 2/0207; H01M 2/0212;
H01M 10/4257; H01M 10/0436;

(Continued)

(56) **References Cited**

U.S. PATENT DOCUMENTS

D588,986 S * 3/2009 Zhang D13/103
D606,935 S * 12/2009 Murayama D13/103

(Continued)

OTHER PUBLICATIONS

Design U.S. Appl. No. 29/605,362, filed May 25, 2017, First Named
Inventor: Ola Stray, Title: Battery Device.

(Continued)

Primary Examiner — Rosemary K Tarcza

Assistant Examiner — Christy M Nemeth

(74) *Attorney, Agent, or Firm* — Holtz, Holtz & Volek PC

(57) **CLAIM**

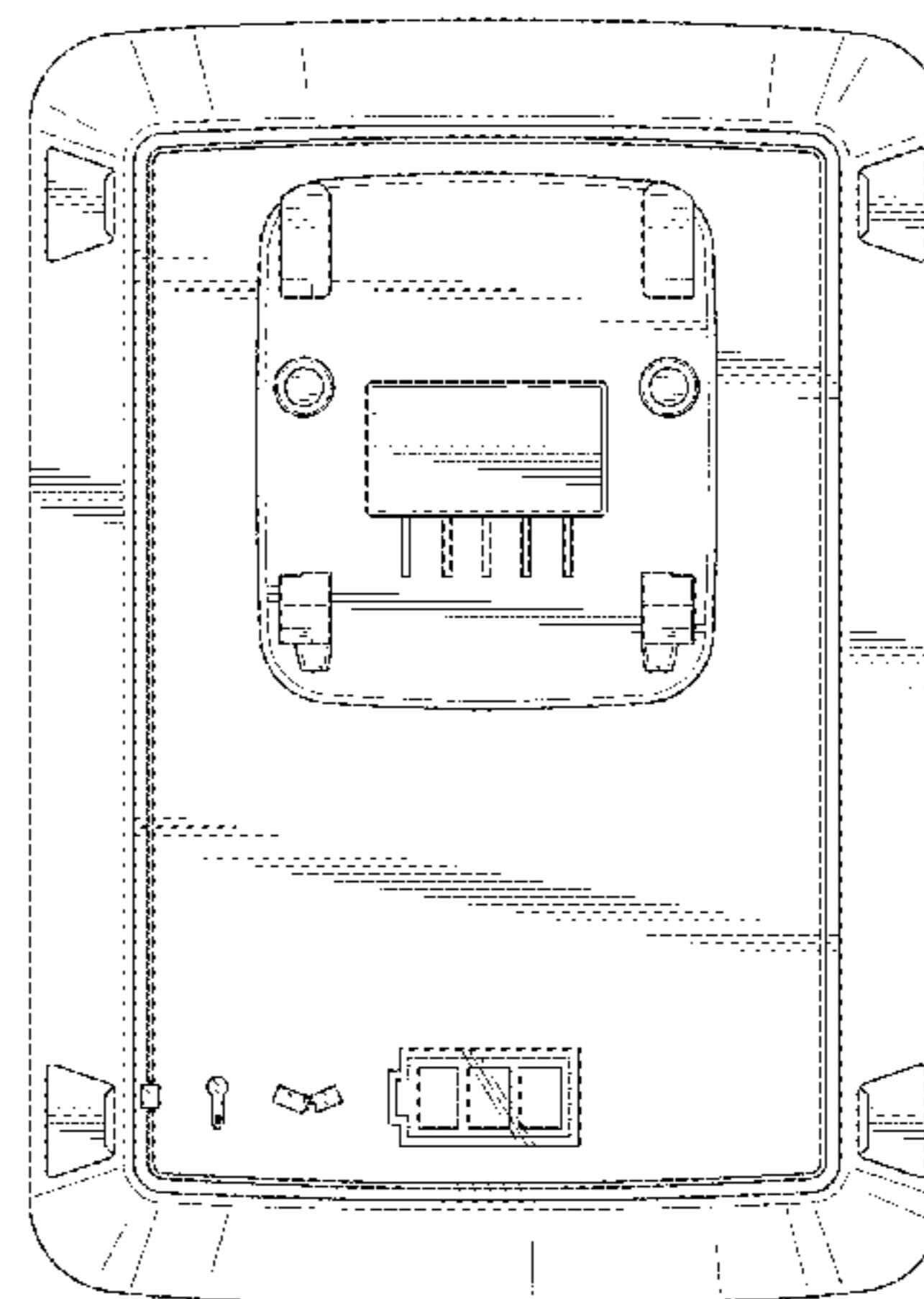
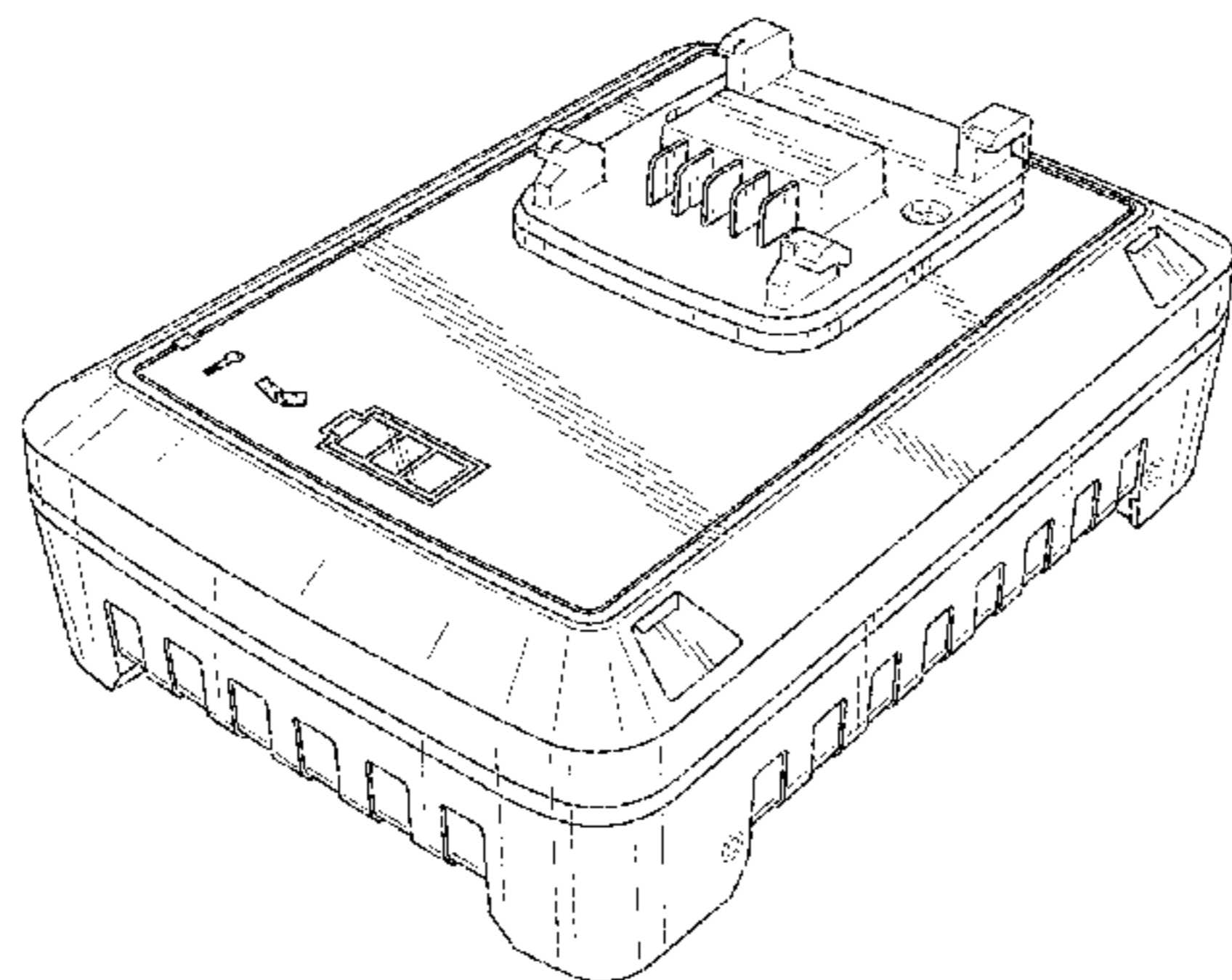
The ornamental design for a battery charger, as shown and
described.

DESCRIPTION

FIG. 1 is a front, top and right side perspective view of a
battery charger showing our new design;
FIG. 2 is a top plan view thereof;
FIG. 3 is a front elevational view thereof;
FIG. 4 is a rear elevational view thereof;
FIG. 5 is a left side elevational view thereof;
FIG. 6 is a right side elevational view thereof;
FIG. 7 is a bottom. plan view thereof;
FIG. 8 is a top plan view thereof, showing the battery
charger in a first state of use;
FIG. 9 is a top plan view thereof, showing the battery
charger in a second state of use; and,
FIG. 10 is a top plan view thereof, showing the battery
charger in a third state of use.

The broken lines in the drawings are for the purpose of
illustrating elements of the battery charger that form no part
of the claimed design.

1 Claim, 8 Drawing Sheets



(58) **Field of Classification Search**

CPC H01M 10/48; H01M 2200/30; H01M
2250/30; H01M 2250/40; H01F 38/14;
Y02E 60/12; Y02E 60/122; Y02E 60/124;
Y02E 60/50; Y02T 90/14; Y02T 90/122;
Y02T 90/128; Y02T 90/163; H05K 11/02

See application file for complete search history.

(56) **References Cited**

U.S. PATENT DOCUMENTS

D640,975 S * 7/2011 Okuda D13/103
D668,219 S * 10/2012 Zhao D13/107
D770,377 S * 11/2016 Kondo D13/103
D785,562 S * 5/2017 Cooper D13/103
D800,650 S * 10/2017 Itoh D13/103
D801,919 S * 11/2017 Elder D13/103
2016/0293909 A1 * 10/2016 O'Sullivan H01M 2/1022

OTHER PUBLICATIONS

Design U.S. Appl. No. 29/605,370, filed May 25, 2017, First Named
Inventor: Ola Stray, Title: Battery Device and Battery Charger
Assembly.

* cited by examiner

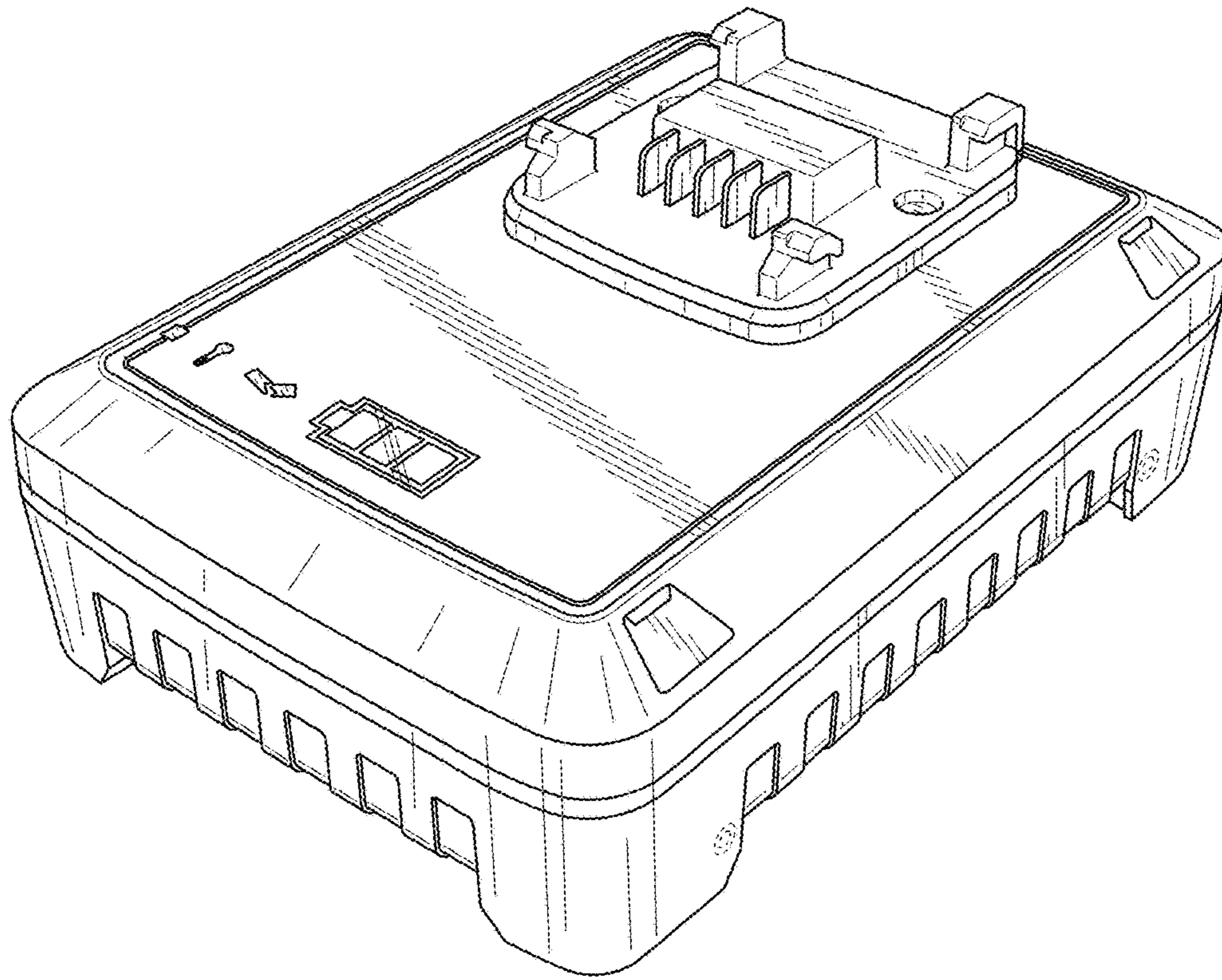


FIG. 1

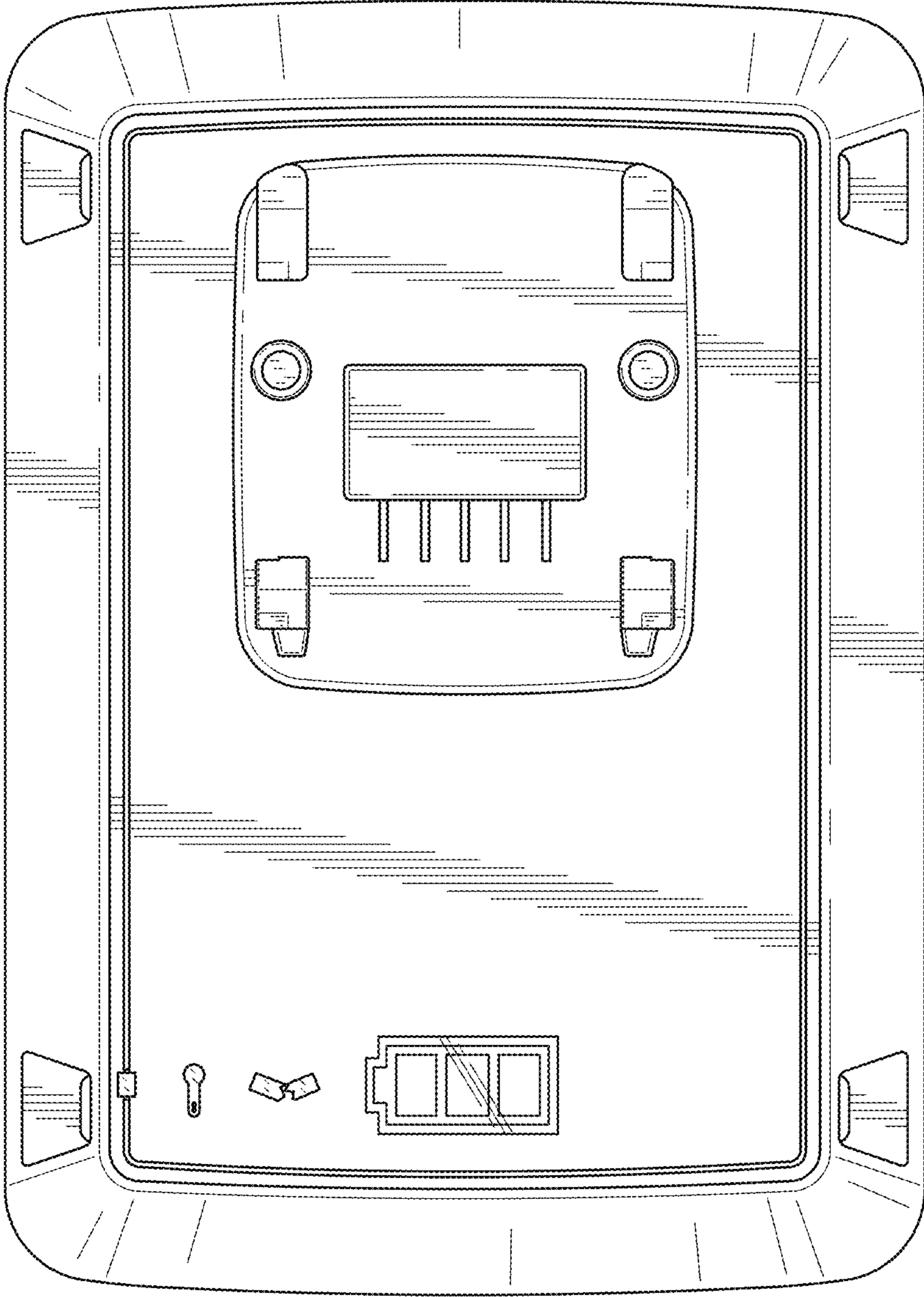


FIG. 2

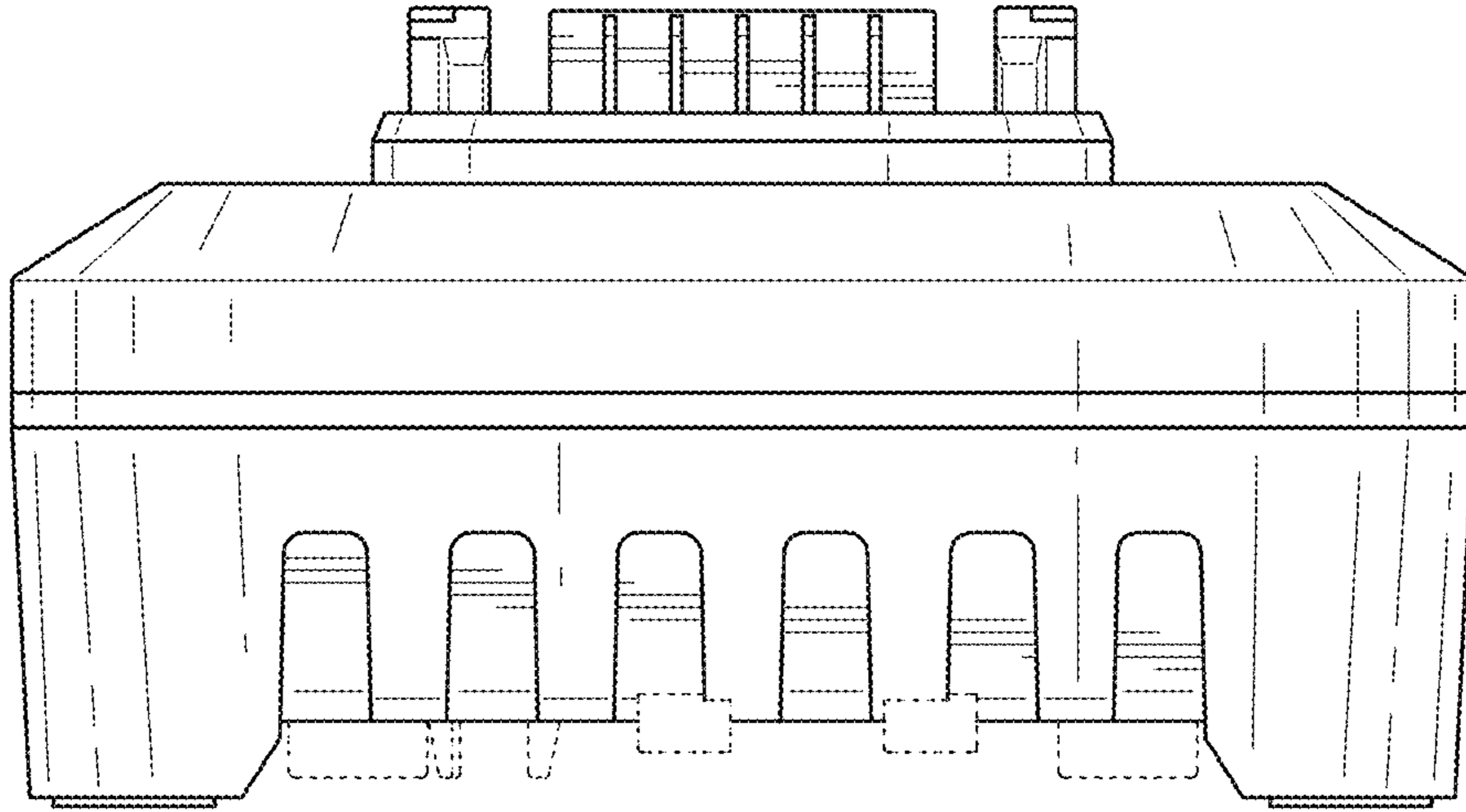


FIG. 3

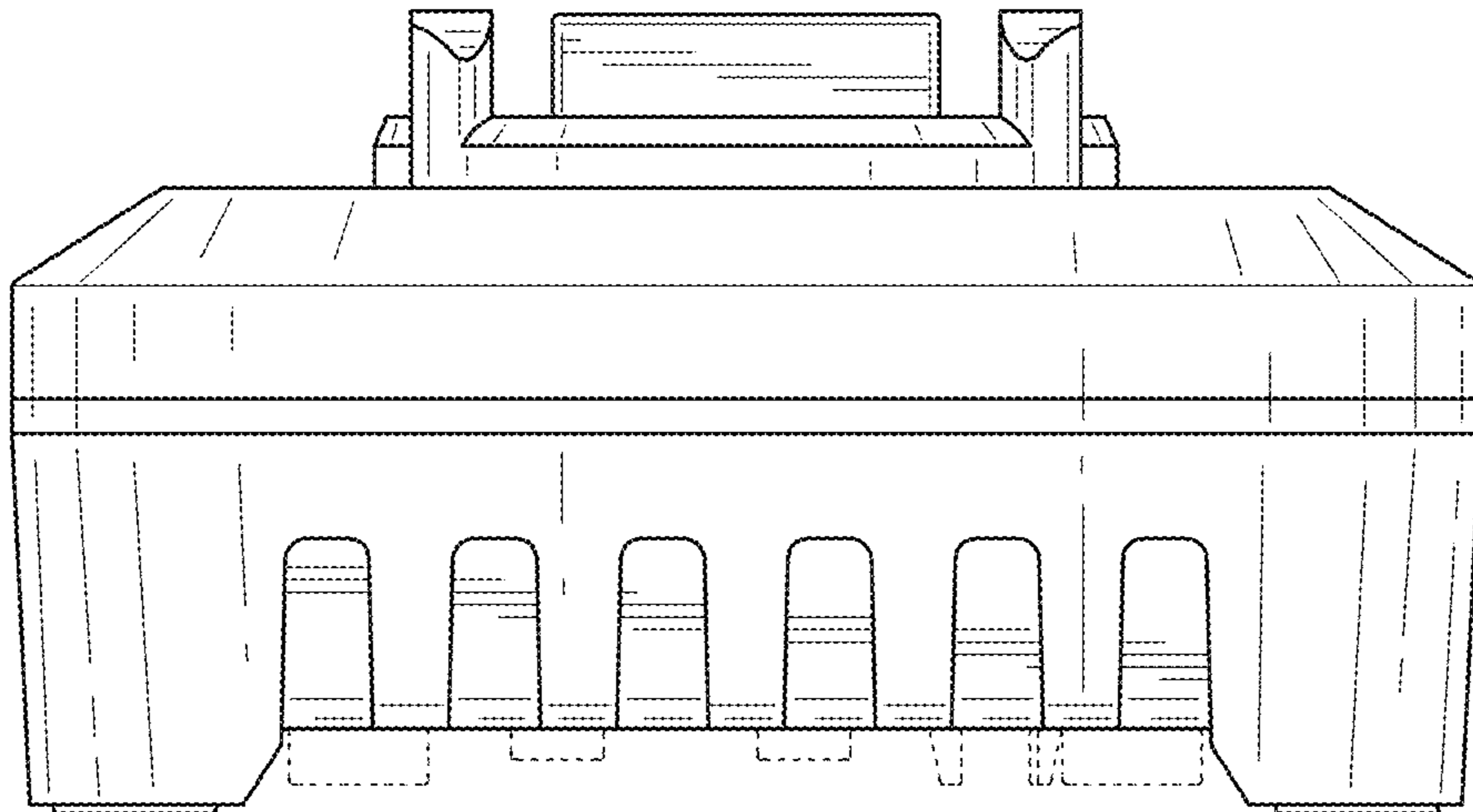


FIG. 4

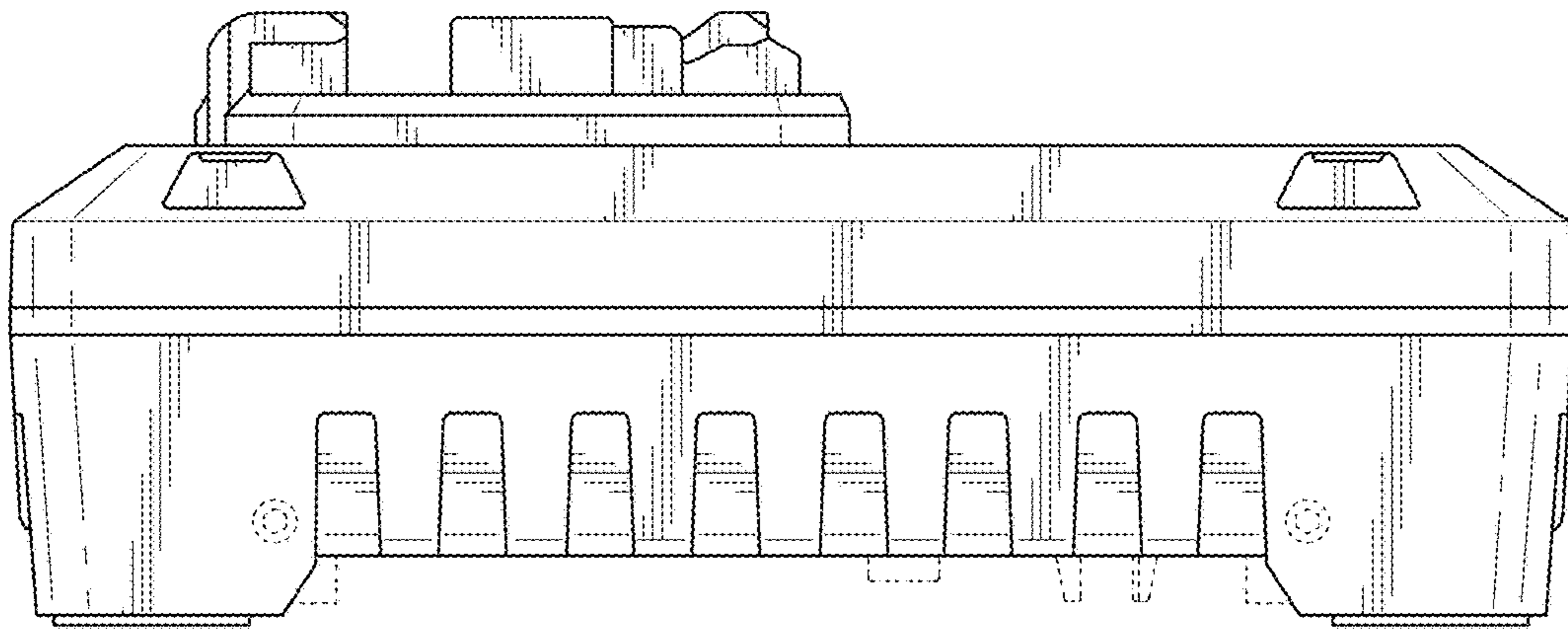


FIG. 5

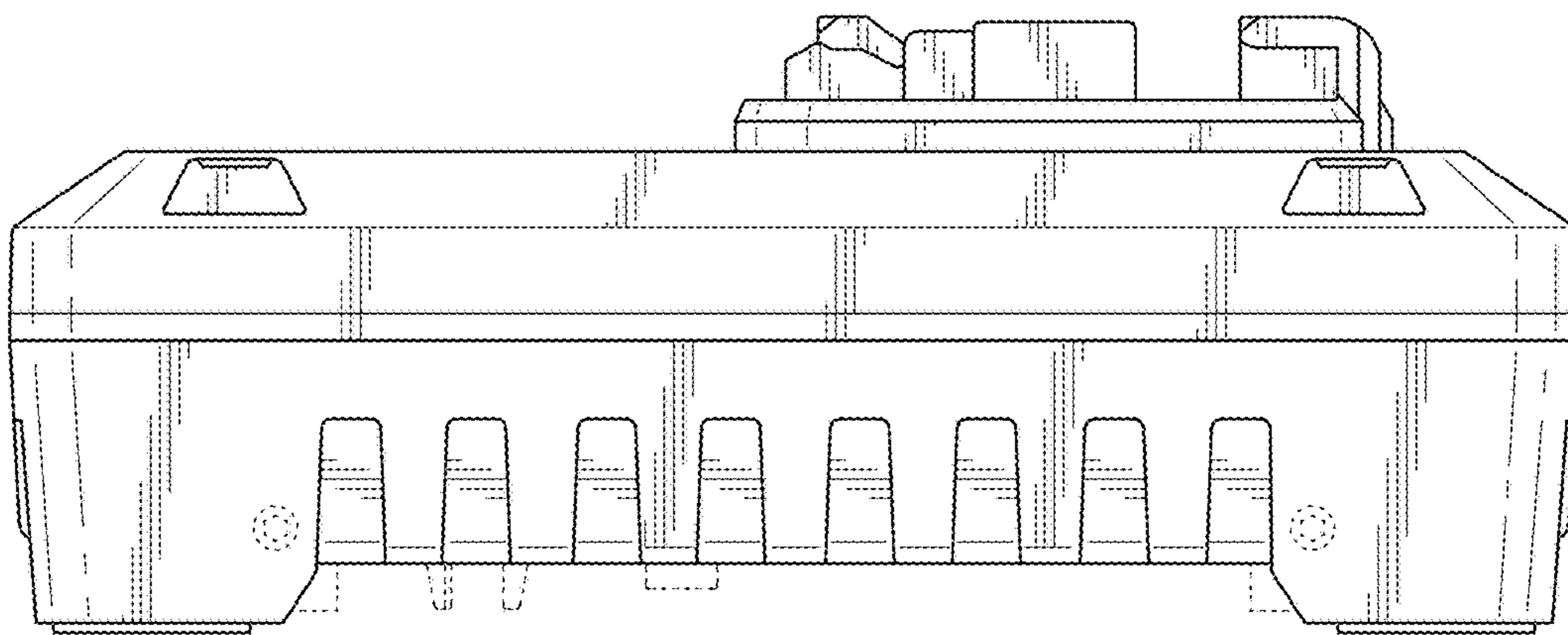


FIG. 6

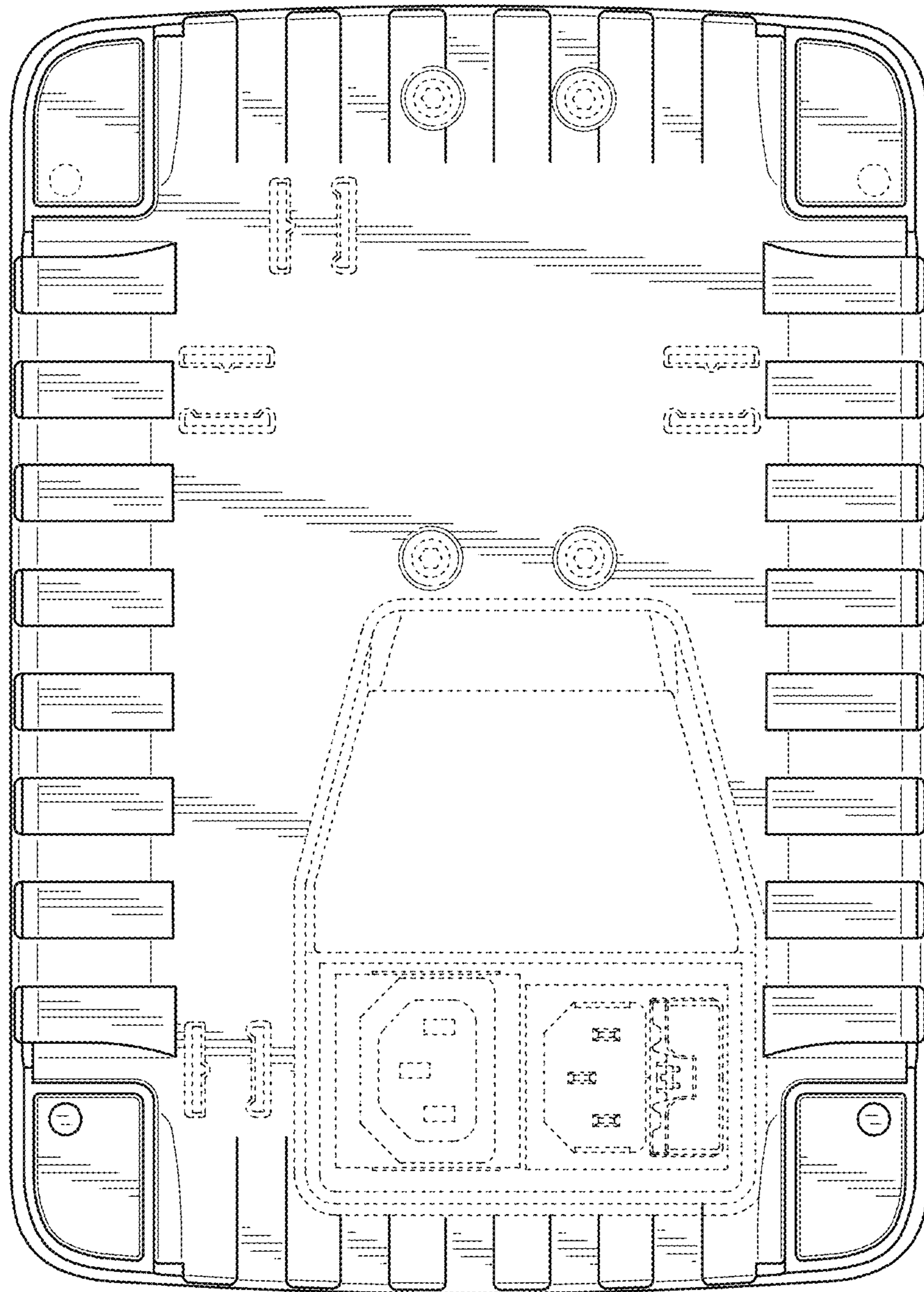


FIG. 7

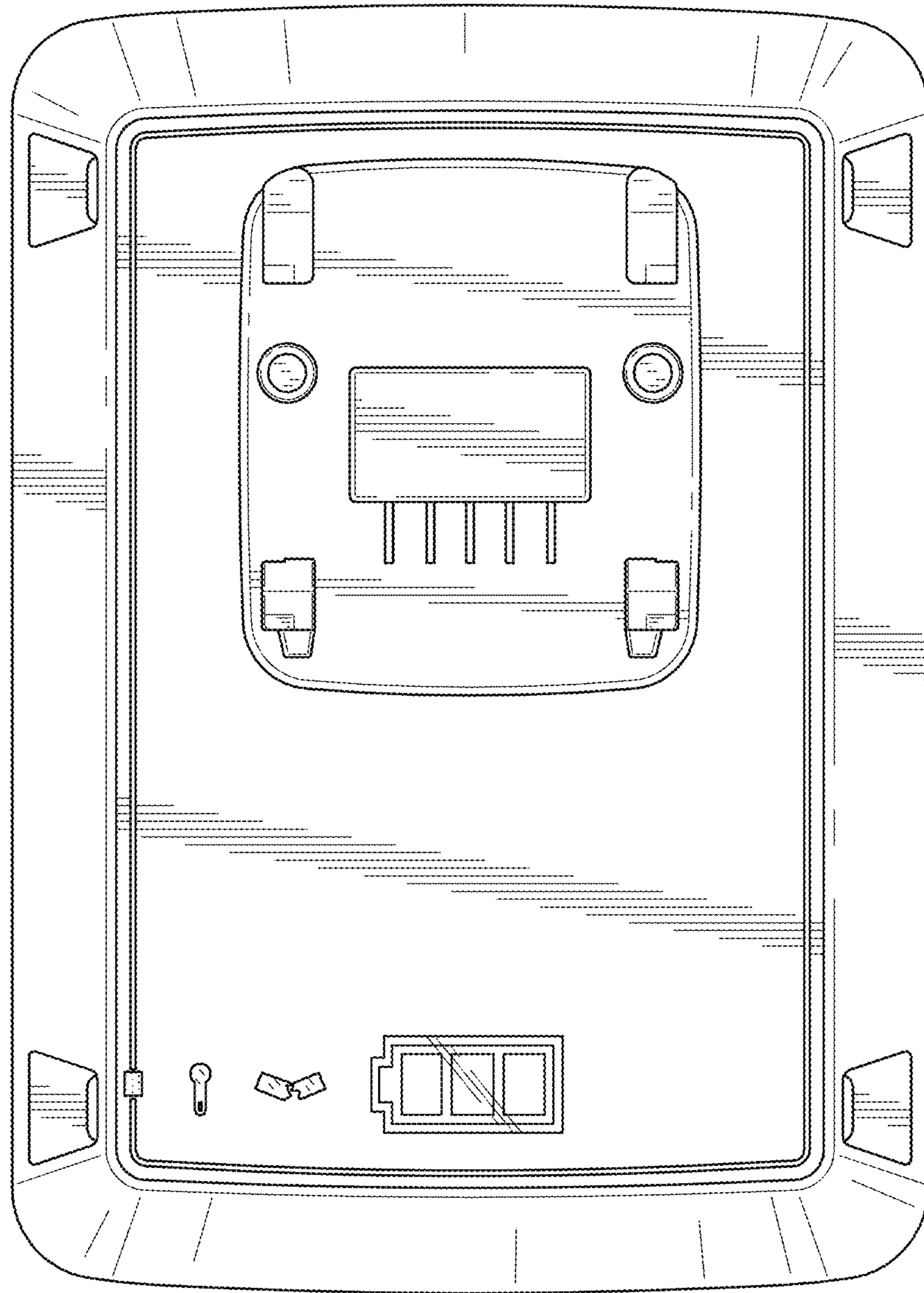


FIG. 8

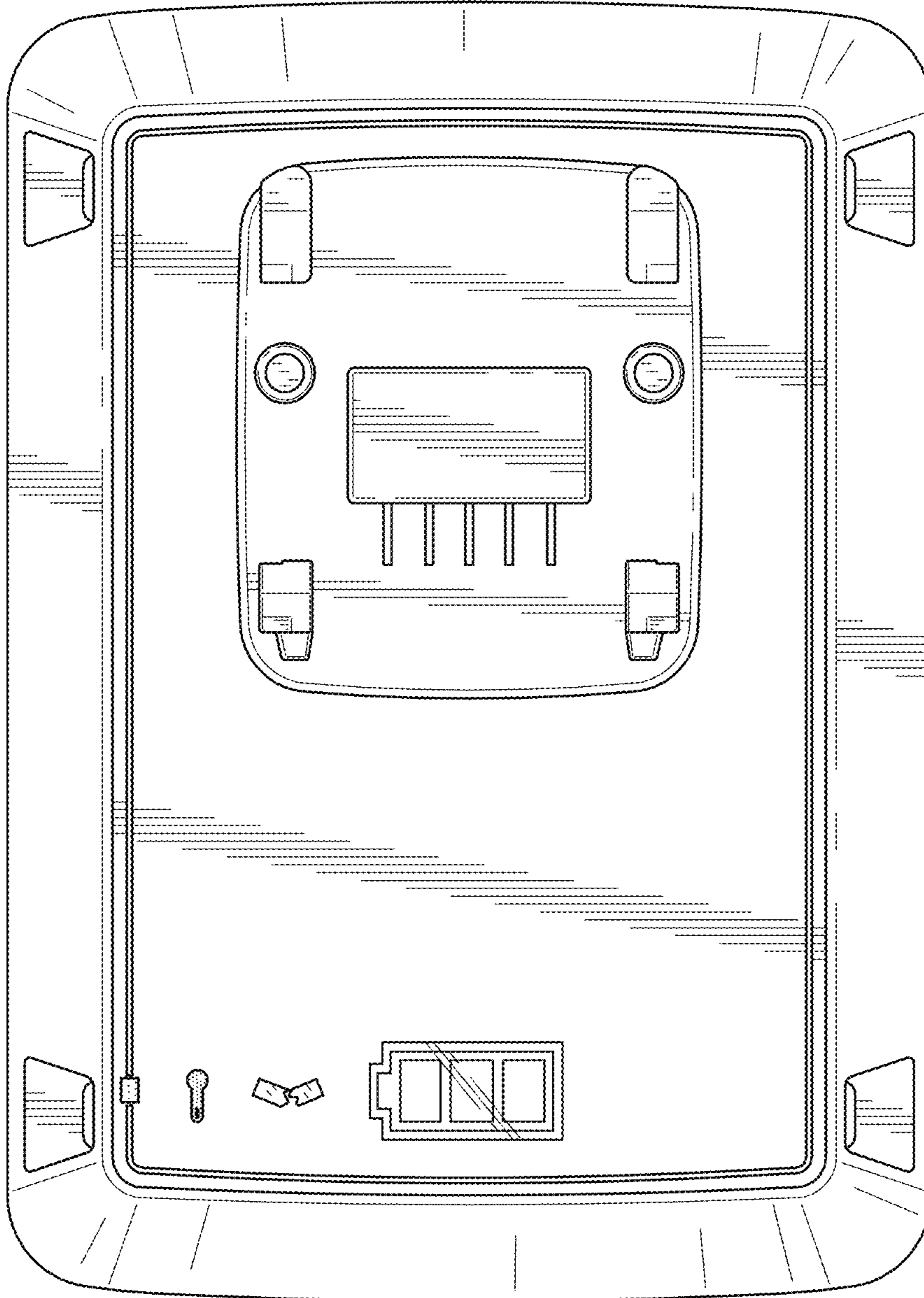


FIG. 9

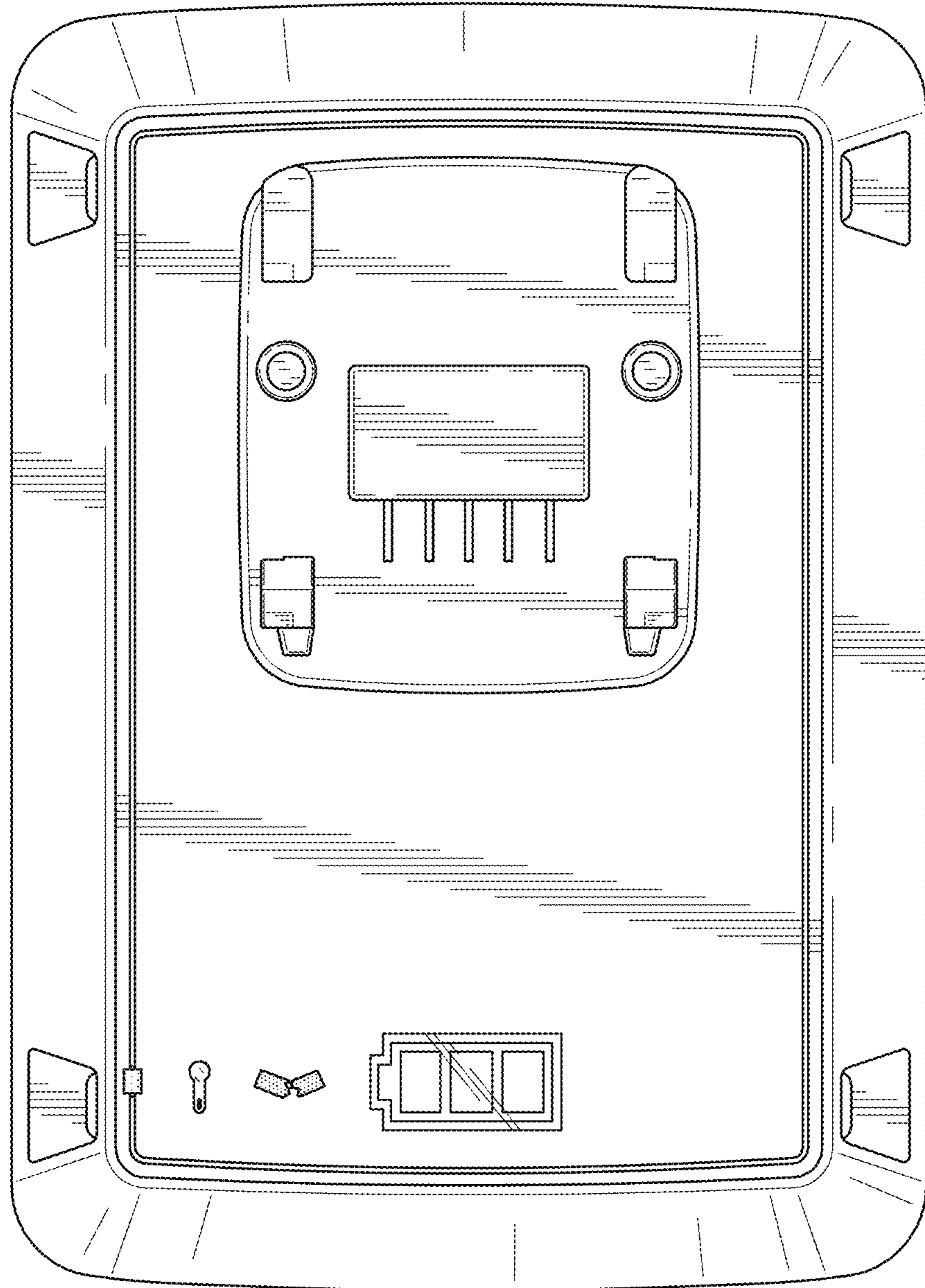


FIG. 10