



US00D838238S

(12) **United States Design Patent**  
**Wu et al.**

(10) **Patent No.:** **US D838,238 S**  
(45) **Date of Patent:** **\*\* Jan. 15, 2019**

(54) **SOLAR SYSTEM CONTROLLER**

(71) Applicant: **NINGBO TIANCHENGHUIGUANG SOLAR, LTD.**, Ningbo, Zhejiang (CN)

(72) Inventors: **Hongguang Wu**, Zhejiang (CN);  
**Shaohong Lu**, Zhejiang (CN)

(73) Assignee: **NINGBO TIANCHENGHUIGUANG SOLAR, LTD.** (CN)

(\*\*) Term: **15 Years**

(21) Appl. No.: **29/626,170**

(22) Filed: **Nov. 15, 2017**

(51) **LOC (11) Cl.** ..... **13-02**

(52) **U.S. Cl.**  
USPC ..... **D13/102; D13/165**

(58) **Field of Classification Search**  
USPC ..... D13/101, 102, 103, 104, 105, 106, 118,  
D13/162, 165, 168, 171, 184, 199  
CPC ..... H01L 31/00; H01L 31/02; H01L 31/042;  
H01L 31/045; H01L 31/046; H01L  
31/048; H01L 31/05; H01L 31/052; H01L  
31/0525; H02S 30/00; H02S 20/10; H02S  
20/23; H02S 20/30; H02S 40/34; H02S  
40/44; F24J 2/52; H02J 7/35; H02J  
7/355; F03G 6/00

See application file for complete search history.

(56) **References Cited**

U.S. PATENT DOCUMENTS

D435,522 S *	12/2000	Ohlwine .....	D13/162
D513,497 S *	1/2006	Whitehouse .....	D13/162
D672,712 S *	12/2012	Hartman .....	D13/102
D691,970 S *	10/2013	Wu .....	D13/168
D808,908 S *	1/2018	Paul .....	D13/162
2018/0175663 A1 *	6/2018	Wu .....	H02J 7/355

\* cited by examiner

*Primary Examiner* — Daniel D Bui

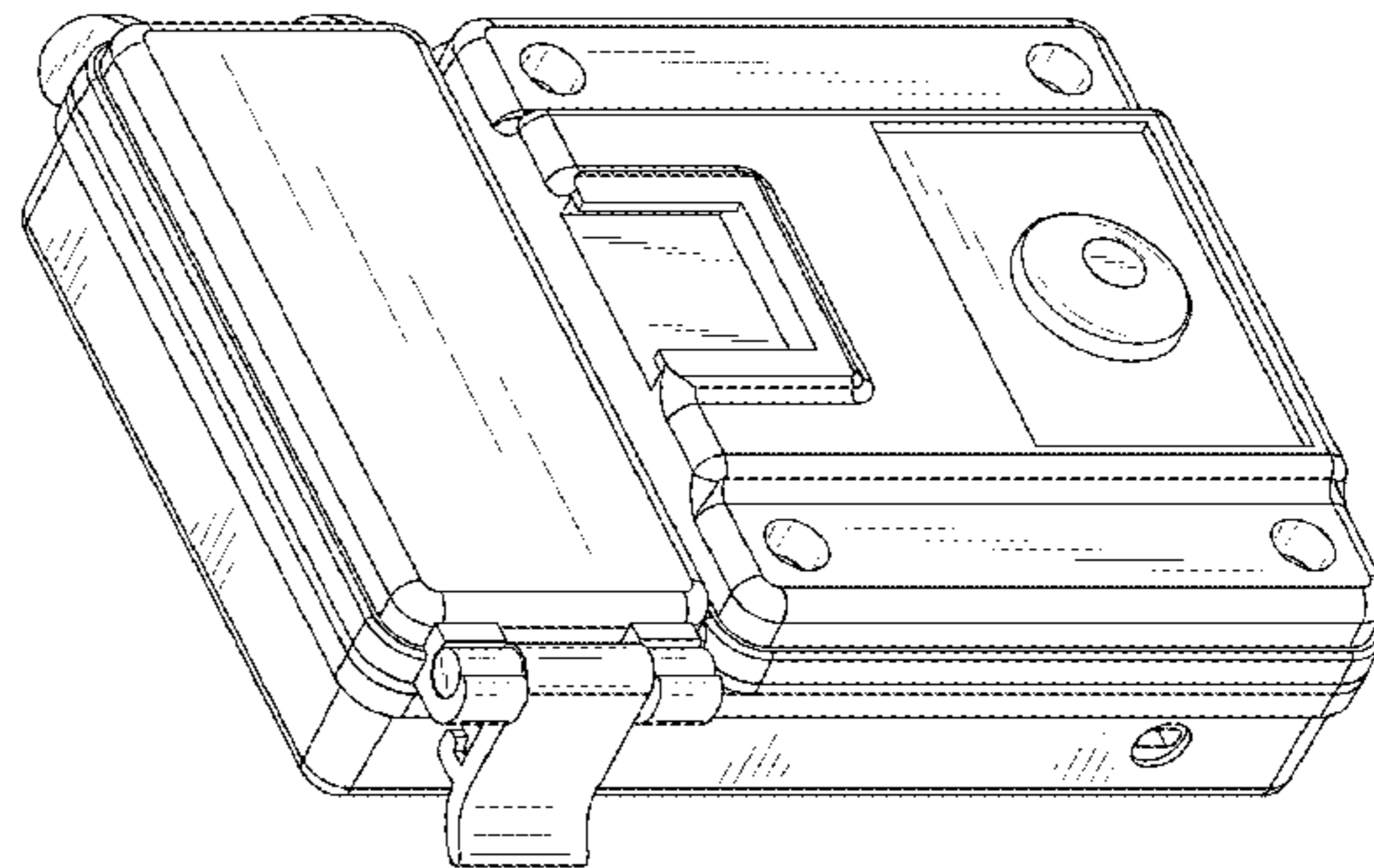
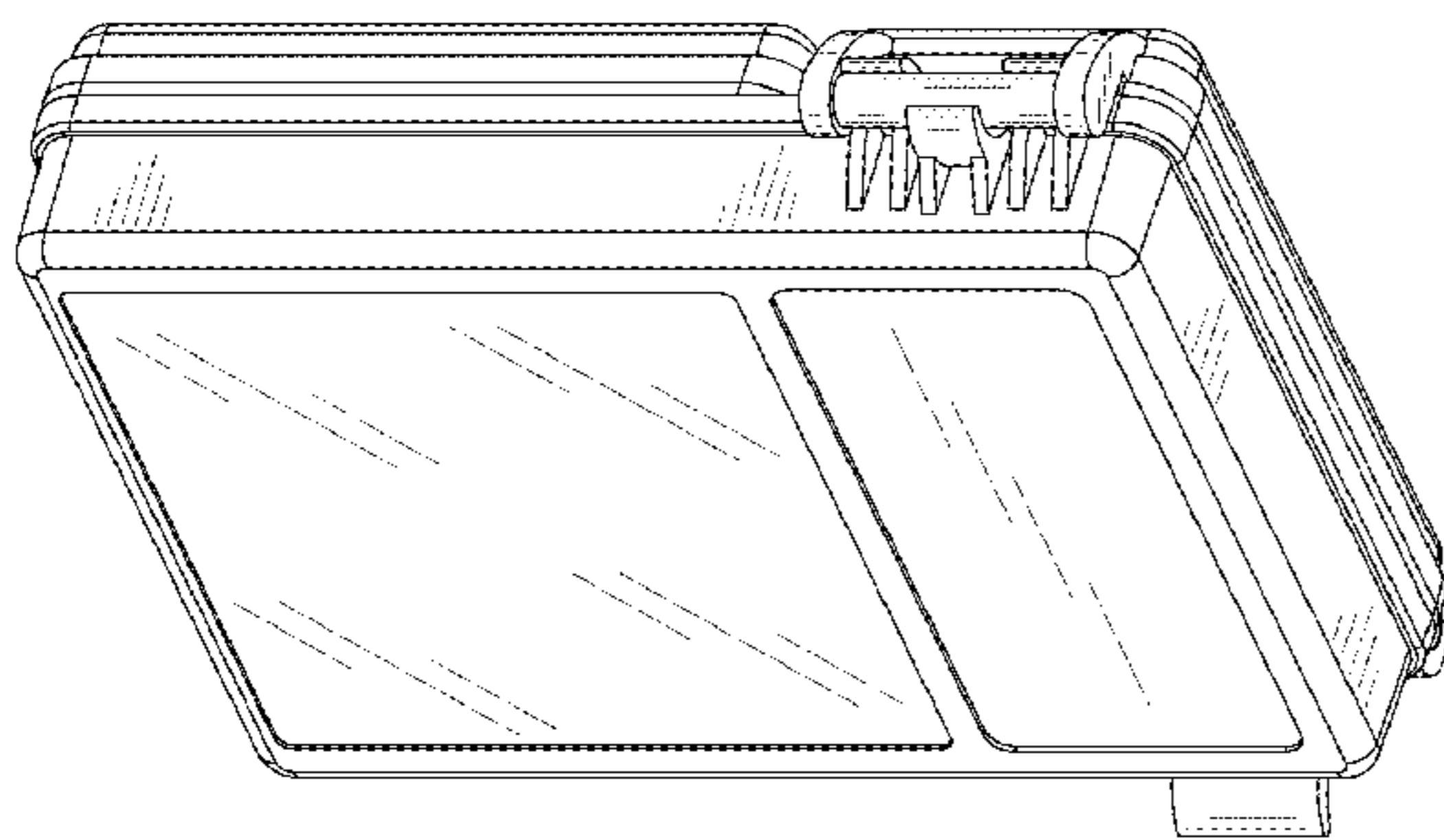
(57) **CLAIM**

The ornamental design for a solar system controller, as shown and described.

**DESCRIPTION**

FIG. 1 is a front view of the solar system controller showing our new design;  
FIG. 2 is a back view thereof;  
FIG. 3 is a left side view thereof;  
FIG. 4 is a right side view thereof;  
FIG. 5 is a top view thereof;  
FIG. 6 is a bottom view thereof;  
FIG. 7 is a perspective view thereof; and,  
FIG. 8 is another perspective view thereof.

**1 Claim, 4 Drawing Sheets**



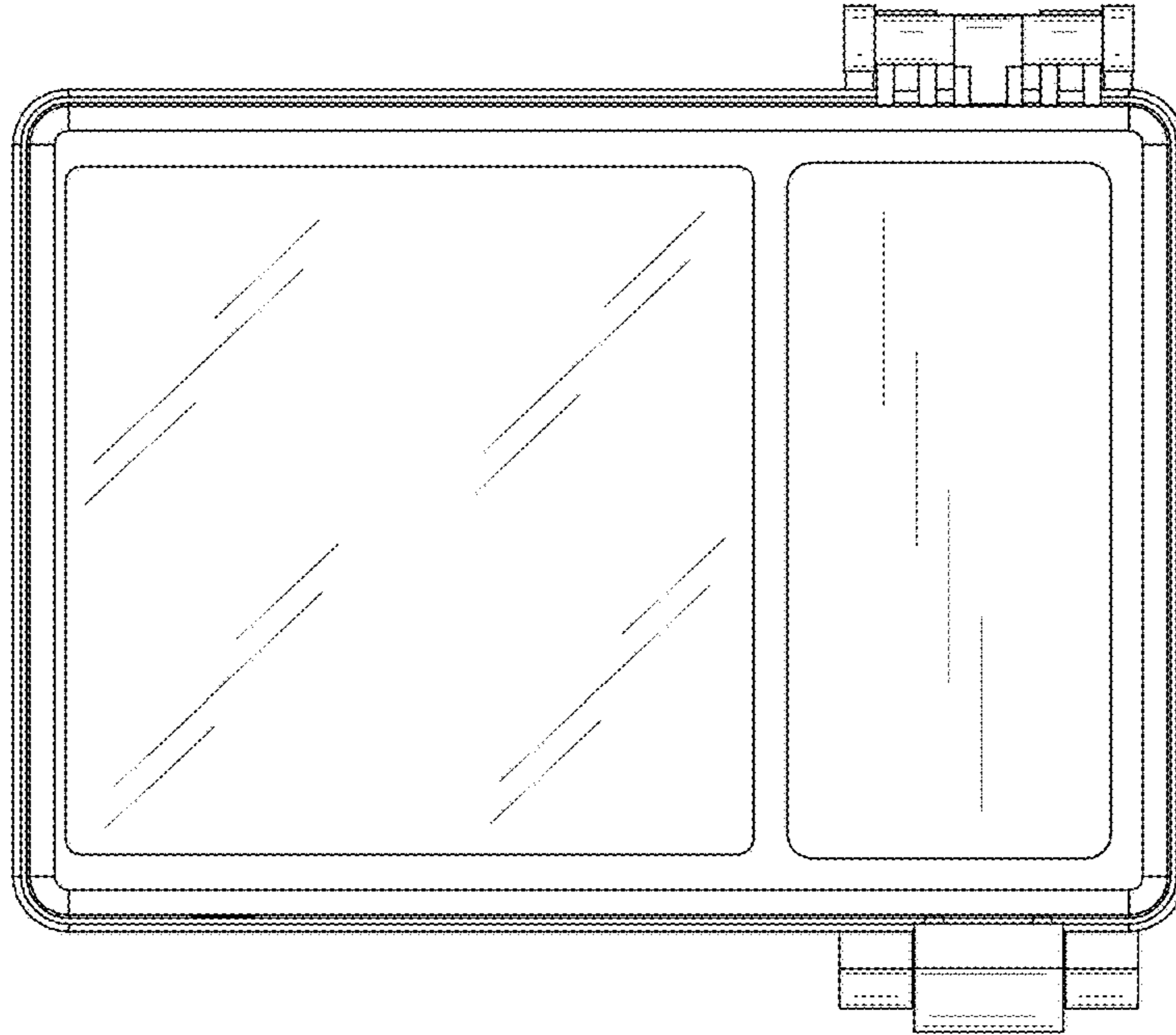


Fig.1

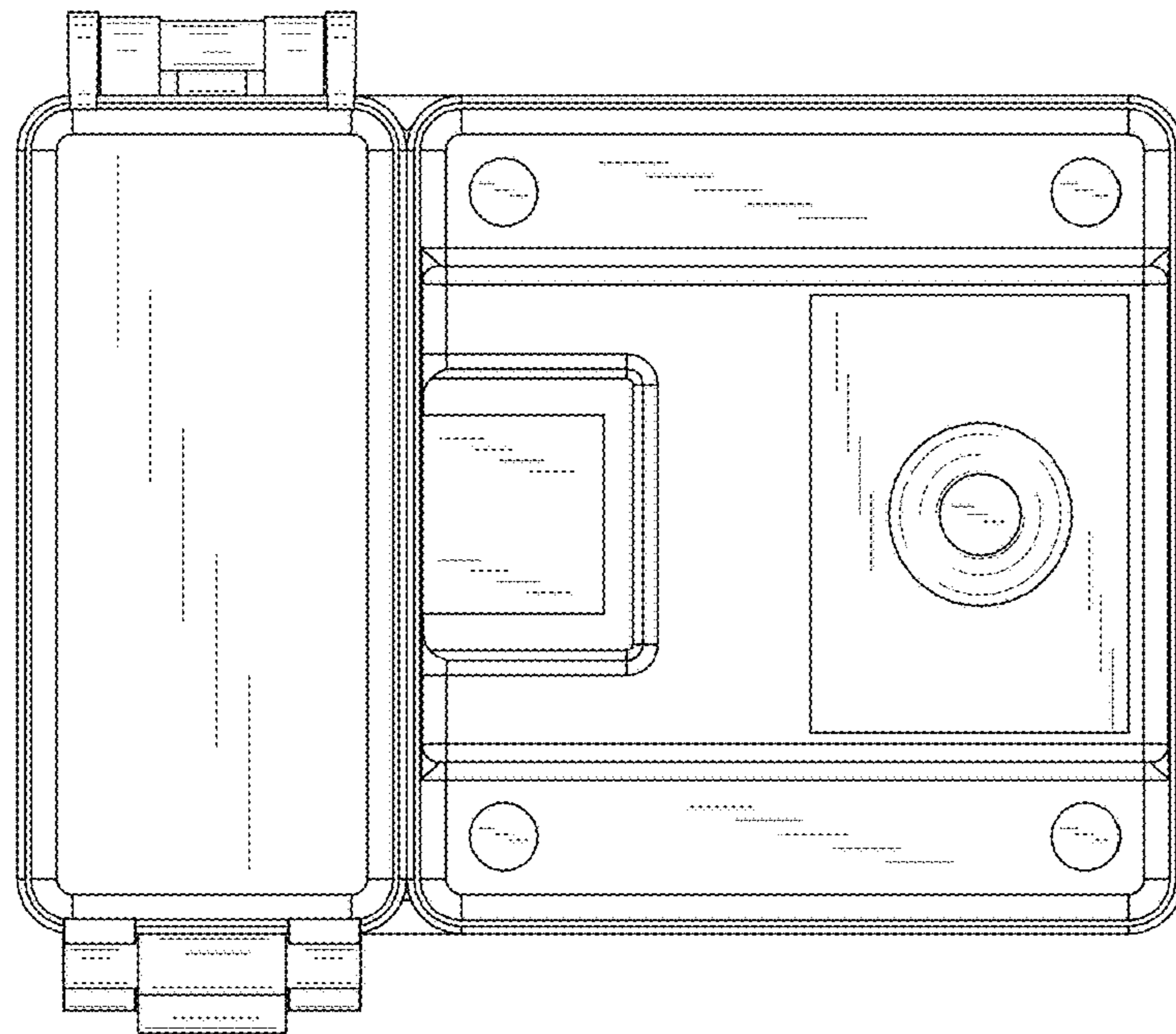
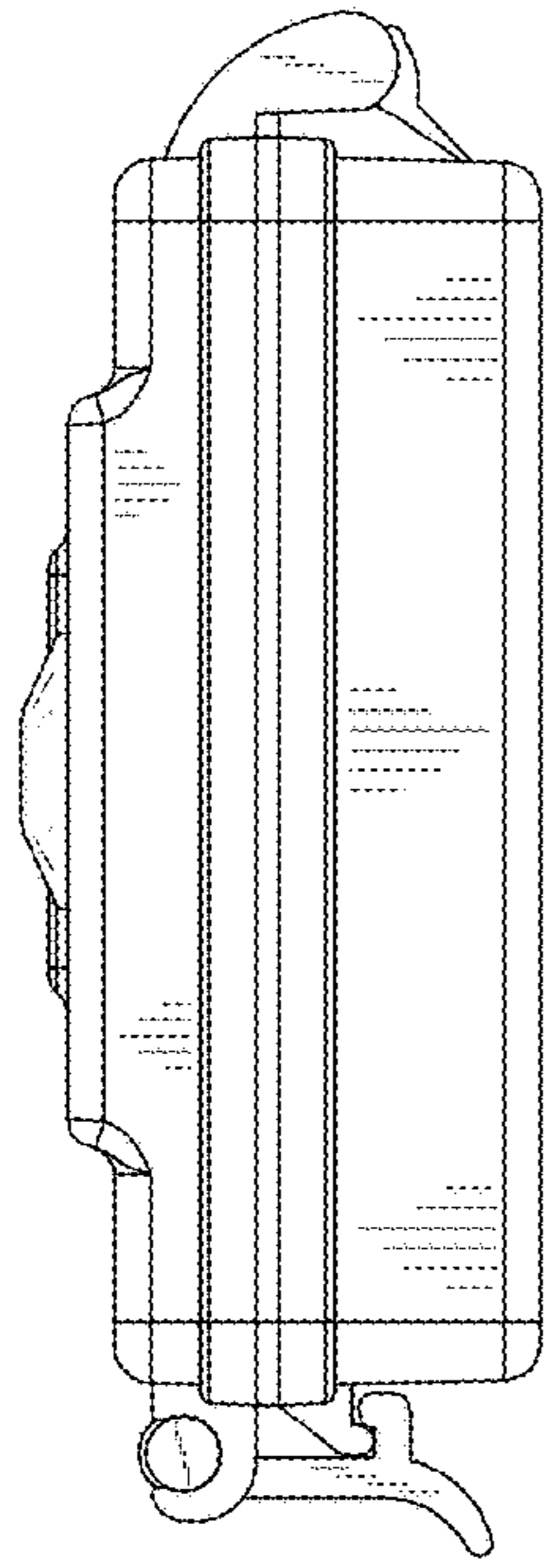
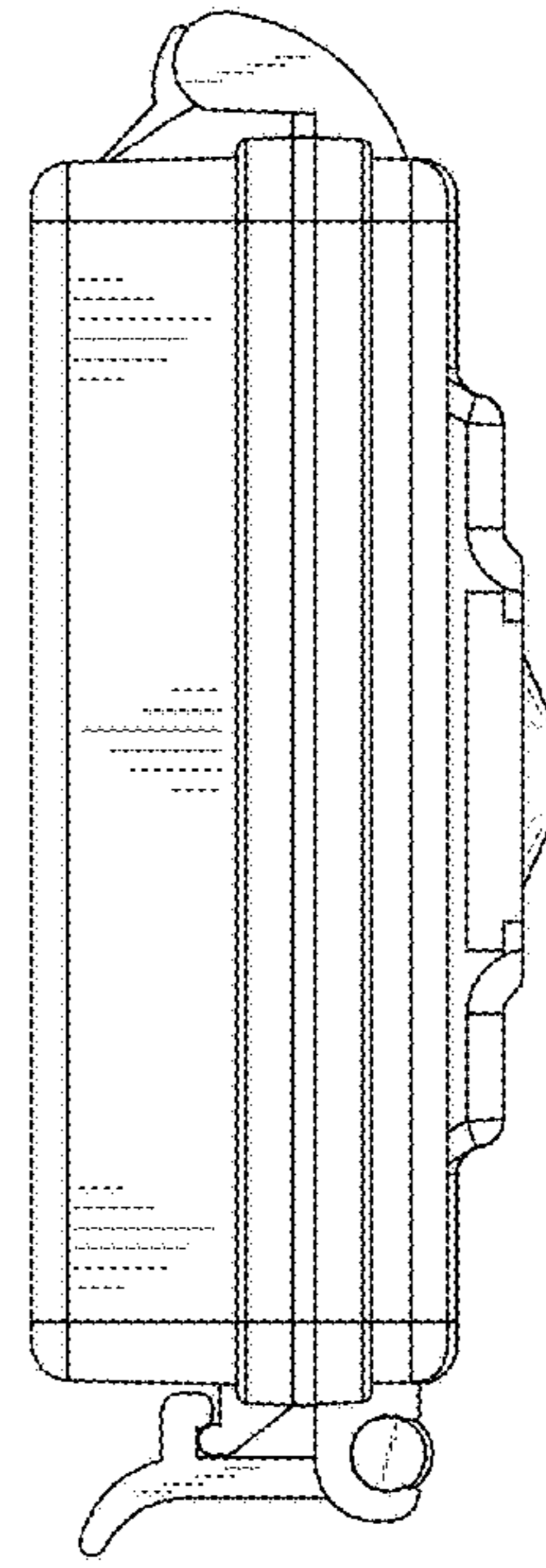


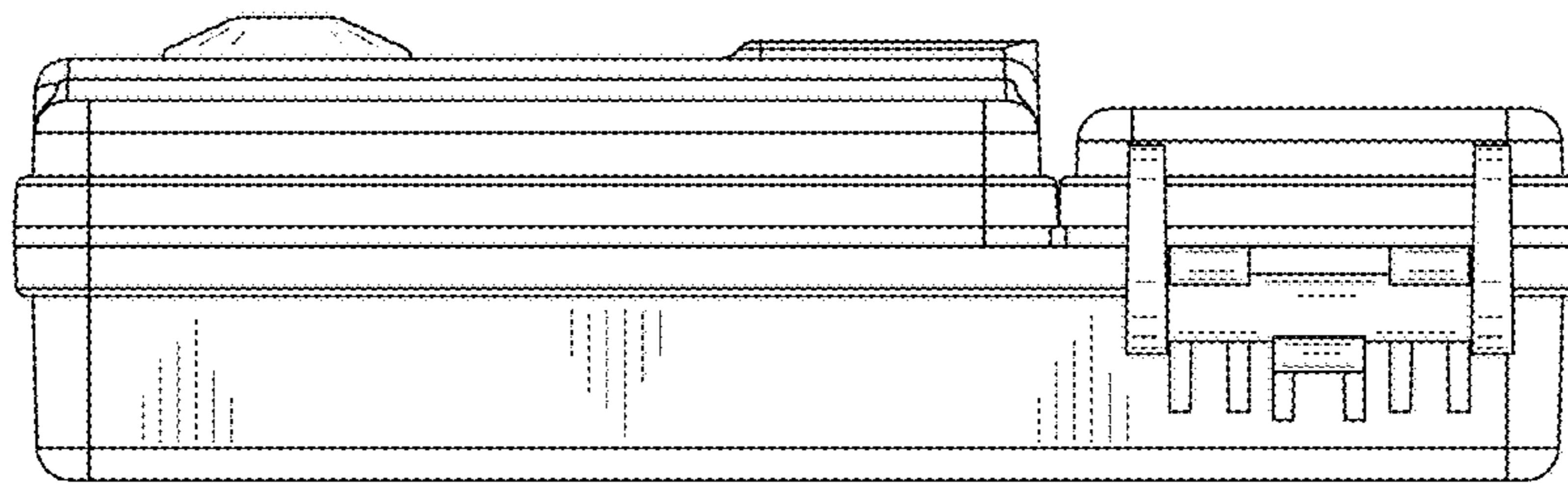
Fig.2



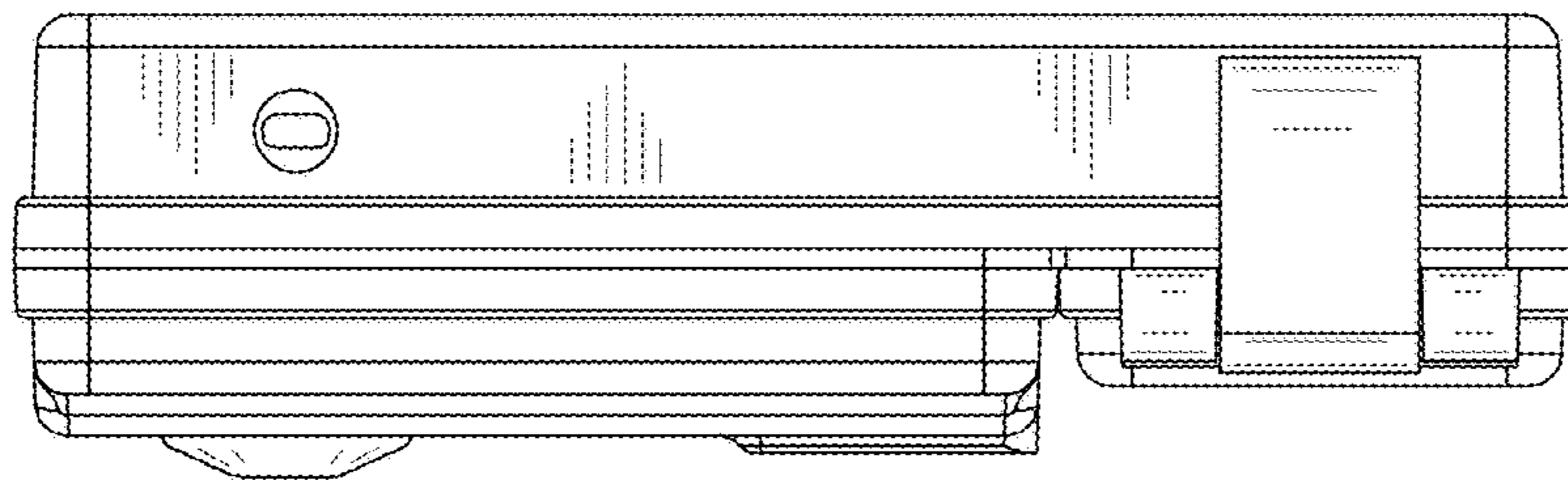
*Fig.3*



*Fig.4*



*Fig.5*



*Fig.6*



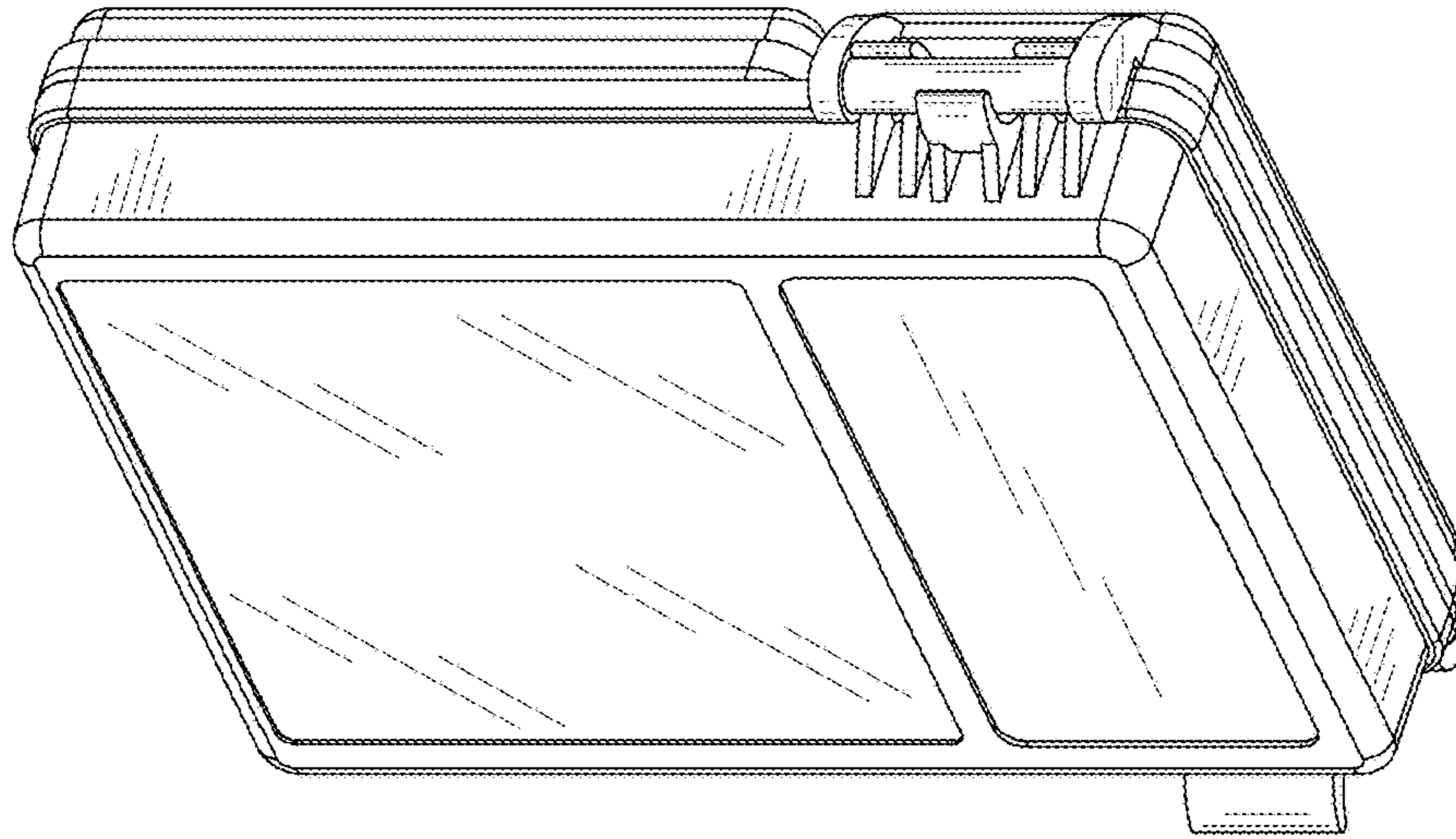


Fig.7

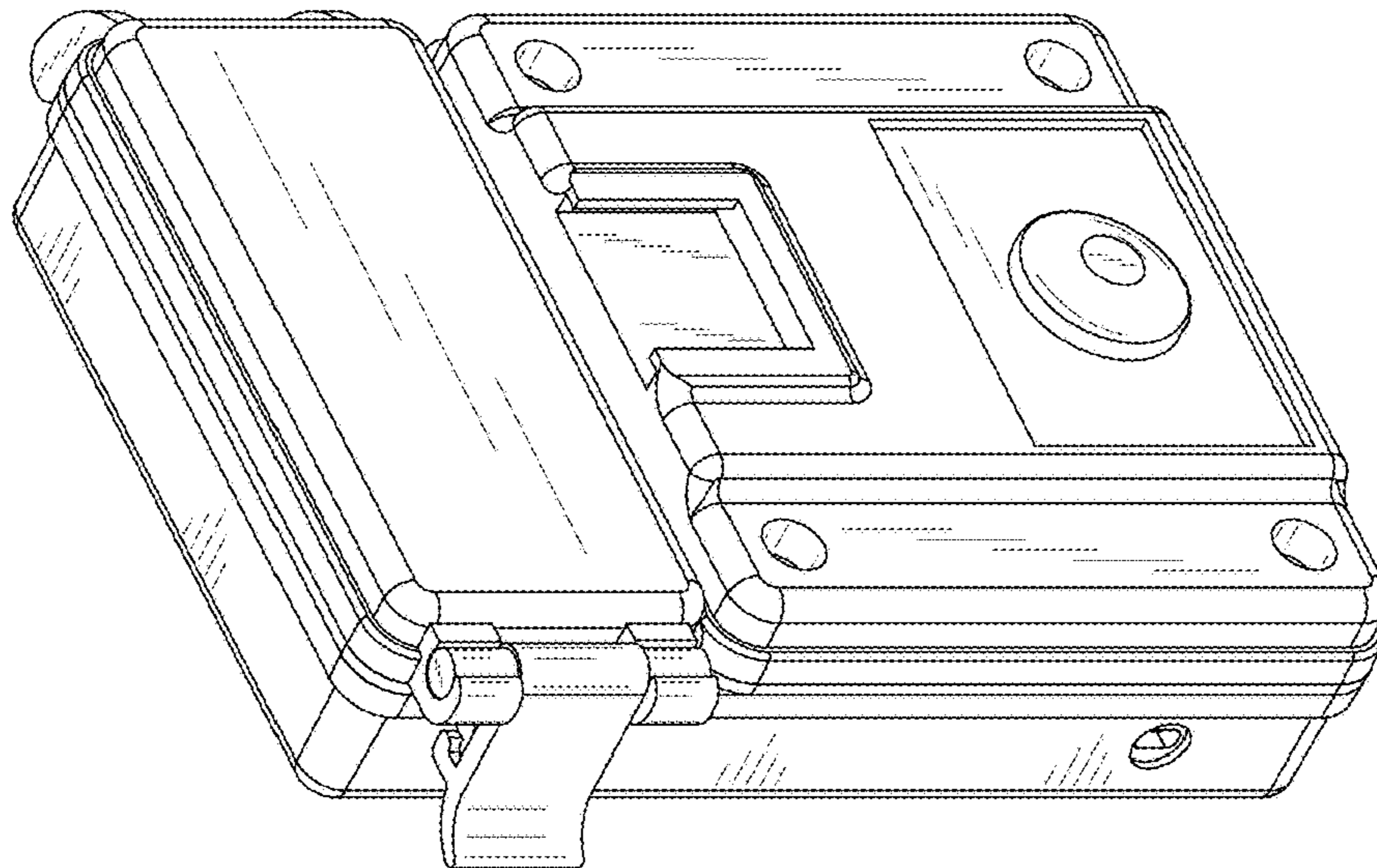


Fig.8