



US00D838231S

(12) **United States Design Patent**
Ghannam et al.

(10) **Patent No.:** **US D838,231 S**

(45) **Date of Patent:** **** Jan. 15, 2019**

(54) **SENSOR COVER**

D345,127 S * 3/1994 Stenglein D12/126
5,627,315 A 5/1997 Figi
D407,656 S * 4/1999 Klever D10/56
D421,576 S * 3/2000 Clivio D10/101

(Continued)

(71) Applicant: **Ford Motor Company**, Dearborn, MI
(US)

(72) Inventors: **Mahmoud Yousef Ghannam**, Canton,
MI (US); **Saied Nusier**, Canton, MI
(US); **Swadad A. Carremm**, Canton,
MI (US)

FOREIGN PATENT DOCUMENTS

CN 201298044 Y 8/2009
CN 203485859 U 3/2014

(Continued)

(73) Assignee: **Ford Motor Company**, Dearborn, MI
(US)

OTHER PUBLICATIONS

(**) Term: **15 Years**

Saab Rain Sensor Cover, image post date 2000, site visited May 7,
2017, (online), <<https://www.eeuroparts.com/Parts/57222/Rain-Sensor-Cover-12796773/>>.

(Continued)

(21) Appl. No.: **29/574,799**

(22) Filed: **Aug. 18, 2016**

(51) **LOC (11) Cl.** **12-16**

(52) **U.S. Cl.**

USPC **D12/400**

(58) **Field of Classification Search**

USPC D12/607, 107, 110, 114, 115, 117, 126,
D12/400, 401, 415, 404, 182; D10/56,
D10/101; D25/47.1

CPC B60R 1/04; B60R 1/12; B60R 2001/1223
See application file for complete search history.

Primary Examiner — Michelle E. Wilson

Assistant Examiner — Clese Moore, Jr.

(74) *Attorney, Agent, or Firm* — James P. Muraff; Neal,
Gerber & Eisenberg LLP

(57)

CLAIM

The ornamental design for a sensor cover, as shown and
described.

DESCRIPTION

(56)

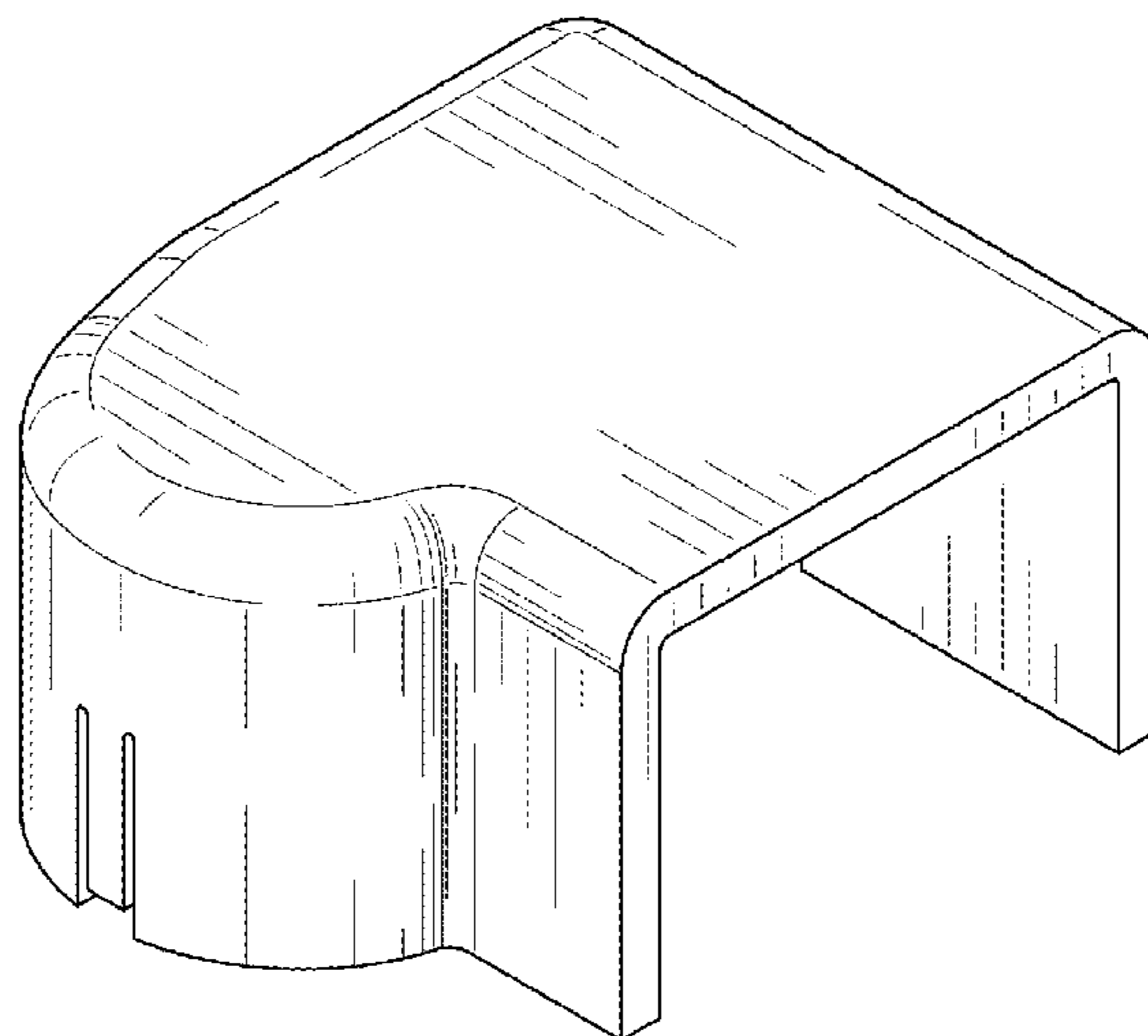
References Cited

U.S. PATENT DOCUMENTS

254,144 A 2/1882 Lemon
663,397 A 12/1900 Stoneburner et al.
683,663 A 10/1901 Reinecke et al.
705,716 A 7/1902 Stuart et al.
743,411 A 11/1903 Agnell et al.
743,518 A 11/1903 Kelly et al.
751,462 A 2/1904 Clapham
767,786 A 8/1904 Wheeler et al.
768,400 A 8/1904 Piper et al.
2,544,144 A 3/1951 Ellis
D294,922 S * 3/1988 Nagy D12/126
4,993,803 A 2/1991 Suverison

FIG. 1 is a front, left perspective view of the sensor cover.
FIG. 2 is a left side elevational view thereof.
FIG. 3 is a right side elevational view thereof.
FIG. 4 is a front elevational view thereof.
FIG. 5 is a rear elevational view thereof.
FIG. 6 is a top plan view thereof; and,
FIG. 7 is a bottom plan view thereof.
The broken line showings of the recesses and slots are for
the purpose of illustrating portions of the article and form no
portion of the claimed design.

1 Claim, 4 Drawing Sheets



(56)

References Cited

U.S. PATENT DOCUMENTS

6,066,933 A * 5/2000 Ponziana B60R 1/04
318/443
6,392,218 B1 * 5/2002 Kuehnle B60S 1/0822
250/208.1
6,502,839 B1 1/2003 Chino et al.
6,761,296 B2 7/2004 Ford et al.
D518,420 S * 4/2006 Schmidt D12/126
D537,388 S * 2/2007 Martell D12/126
D579,833 S 11/2008 Acenbrak
D581,298 S 11/2008 Beaujard et al.
D623,121 S 9/2010 Lewis
D625,622 S * 10/2010 Mallela D10/56
D651,964 S 1/2012 Sakae
8,177,292 B1 5/2012 Baccouche et al.
D661,630 S 6/2012 Fehring
D663,397 S 7/2012 Yeung
D664,284 S 7/2012 Komarov et al.
D665,249 S 8/2012 Hernandez
D666,891 S 9/2012 Gulseth
D683,663 S 6/2013 Foley
D705,716 S 5/2014 Newman
8,894,121 B2 11/2014 Eilers et al.
D719,887 S 12/2014 Hensel et al.
D719,896 S 12/2014 Sakae
8,907,663 B2 12/2014 Lee
D724,330 S 3/2015 Toll
8,966,975 B2 3/2015 Campbell et al.
D726,094 S 4/2015 Simecek et al.
D729,691 S 5/2015 Baron
D736,141 S 8/2015 Sakae
9,120,219 B1 9/2015 Liao et al.
D741,780 S 10/2015 Lee
D742,718 S 11/2015 Bouthillier
D742,797 S 11/2015 Sugiura
D743,239 S 11/2015 Jones, Jr. et al.
D743,411 S 11/2015 Zenri
D744,073 S 11/2015 Waggoner et al.
9,199,592 B1 12/2015 Nusier et al.
D747,225 S 1/2016 Decook et al.
D750,706 S 3/2016 Kim et al.
D751,023 S 3/2016 Hennen
D751,462 S 3/2016 Baron
D754,449 S 4/2016 Lam
D762,462 S 8/2016 Anderson
D764,822 S 8/2016 Toll
D766,130 S 9/2016 Baron
D767,908 S 10/2016 Berry et al.
D768,400 S 10/2016 Berry et al.
D769,034 S 10/2016 Lawson
D769,235 S 10/2016 Li
D773,839 S 12/2016 Player
D774,791 S 12/2016 Toll
D775,036 S 12/2016 Shafer
D775,537 S * 1/2017 Kikstra D10/106.6
D775,561 S 1/2017 Platto et al.
D775,565 S 1/2017 Shafer
D776,165 S 1/2017 Ellison et al.
D776,747 S 1/2017 Lenihan
D778,184 S * 2/2017 Kikstra D10/106.6
D783,463 S * 4/2017 Reed D12/126
D784,033 S 4/2017 Li
D785,052 S 4/2017 Underhill et al.
D797,646 S * 9/2017 Ghannam D12/400
2002/0096517 A1 7/2002 Gelardi
2006/0022531 A1 2/2006 Tenca et al.

2006/0156806 A1 * 7/2006 Peterson B60S 1/0822
73/170.17
2007/0256946 A1 11/2007 Godshaw et al.
2008/0164707 A1 7/2008 Belwafa et al.
2008/0203782 A1 8/2008 Bigolin
2009/0039127 A1 2/2009 Dacko
2009/0152912 A1 6/2009 Yu
2009/0193632 A1 8/2009 Yeh
2010/0206021 A1 8/2010 Tribout et al.
2011/0006027 A1 1/2011 Domoy et al.
2011/0185812 A1 8/2011 Raschke
2011/0285176 A1 11/2011 Baccouche et al.
2013/0256353 A1 10/2013 Angeli et al.
2013/0272009 A1 10/2013 Fujiu et al.
2014/0036522 A1 2/2014 Nakada
2014/0060882 A1 3/2014 Ellis et al.
2014/0286031 A1 9/2014 Marcori et al.
2015/0202402 A1 7/2015 Kat
2015/0225137 A1 8/2015 Wei et al.
2015/0331087 A1 11/2015 Philipp et al.
2016/0033621 A1 2/2016 Ottenhues et al.
2016/0116666 A1 4/2016 Sato
2016/0264314 A1 9/2016 Bristow
2016/0264315 A1 9/2016 Downey et al.
2016/0372832 A1 12/2016 Park et al.
2017/0062929 A1 3/2017 Abe
2017/0107022 A1 4/2017 Lee

FOREIGN PATENT DOCUMENTS

EP 2918545 A1 9/2015
JP 10316393 A 12/1998
JP 4057246 B2 3/2008
KR 20120059907 A 6/2012
WO WO 84/02613 A1 7/1984
WO WO 2008/003664 A1 1/2008

OTHER PUBLICATIONS

P2M Nissan SR200ET Billet Aluminum Crank Angle Sensor Cover Silver P2-CASNSR20S-GO, image post date Jul. 3, 2015, site visited May 7, 2017, (online), <https://guide.alibaba.com/shop/p2m-nissan-sr20det-billet-aluminum-crank-angle-sensor-coversilver-p2-casnsr20s-gd_59449234.html>.
Genuine Ford Rain Sensor Cover 1798226, image post date 2008, site visited May 7, 2017, (online), <<https://picclick.co.uk/Genuine-Ford-Rain-Sensor-Cover-1798226-122136621218.html>>.
Search Report dated Jan. 24, 2018, for GB Patent Application No. 1713041.0 (4 pages).
Unpublished pending U.S. Appl. No. 152409531, filed Aug. 18, 2016.
Unpublished pending U.S. Appl. No. 29/574,821, filed Aug. 18, 2016.
Unpublished pending U.S. Appl. No. 29/574,798, filed Aug. 18, 2016.
Unpublished pending U.S. Appl. No. 29/574,795, filed Aug. 18, 2016.
OEM Windshield Rain Sensor Cover, image post date 2013, site visited May 9, 2017, (online), <<http://www.ebay.com/itm/BRAND-NEW-OEM-WINDSHIELF-RAIN-SENSOR-COVER-FORD-LINCOLN-MERCURY-9L3Z-17D550-A/361181938502>>.
Imfsoft aluminium timing cover, image post date Aug. 15, 2014, site visited Jan. 9, 2017, (online), <<http://www.mjscrane.com/panhard/ignition/>>.

* cited by examiner

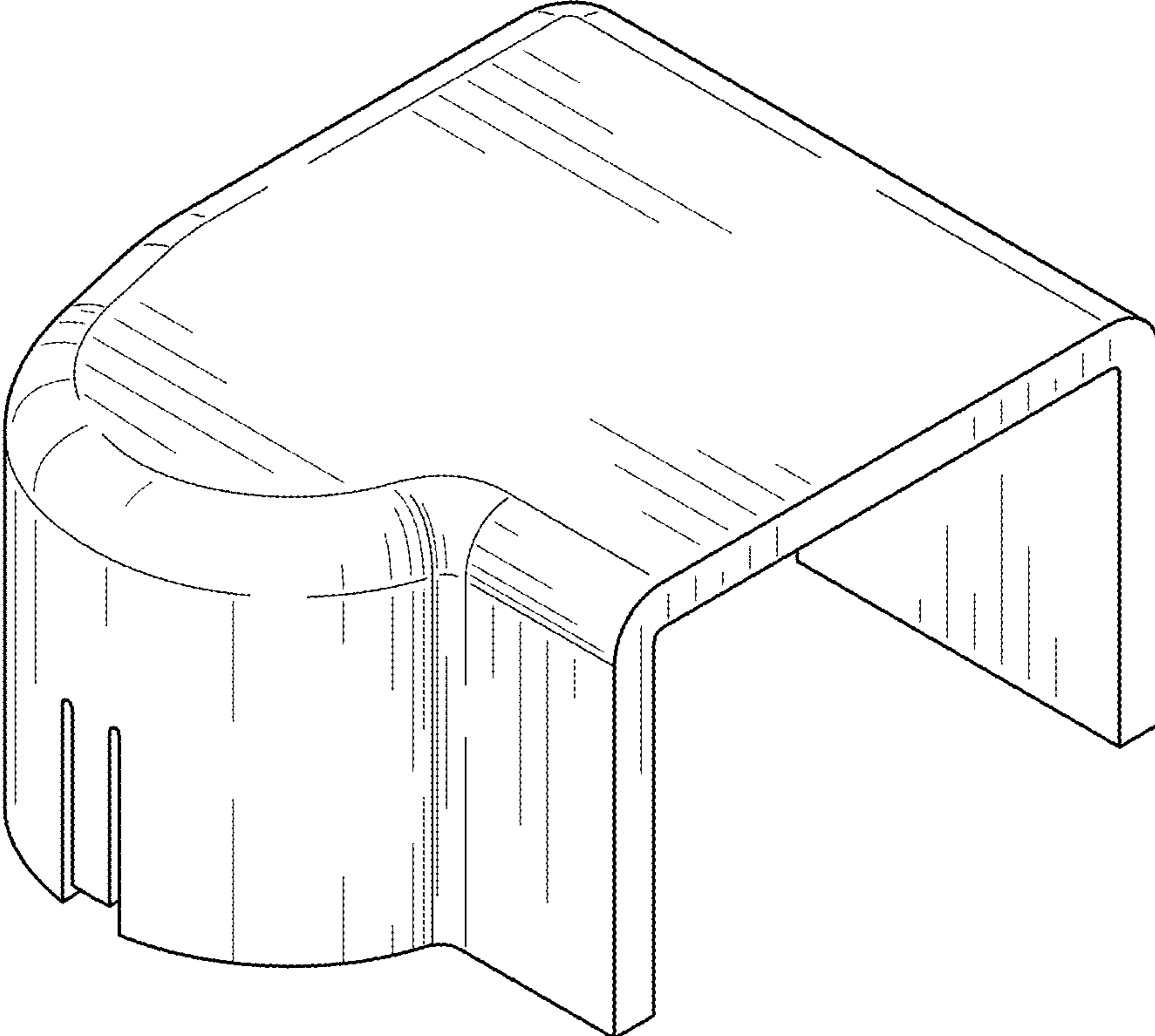


FIG. 1

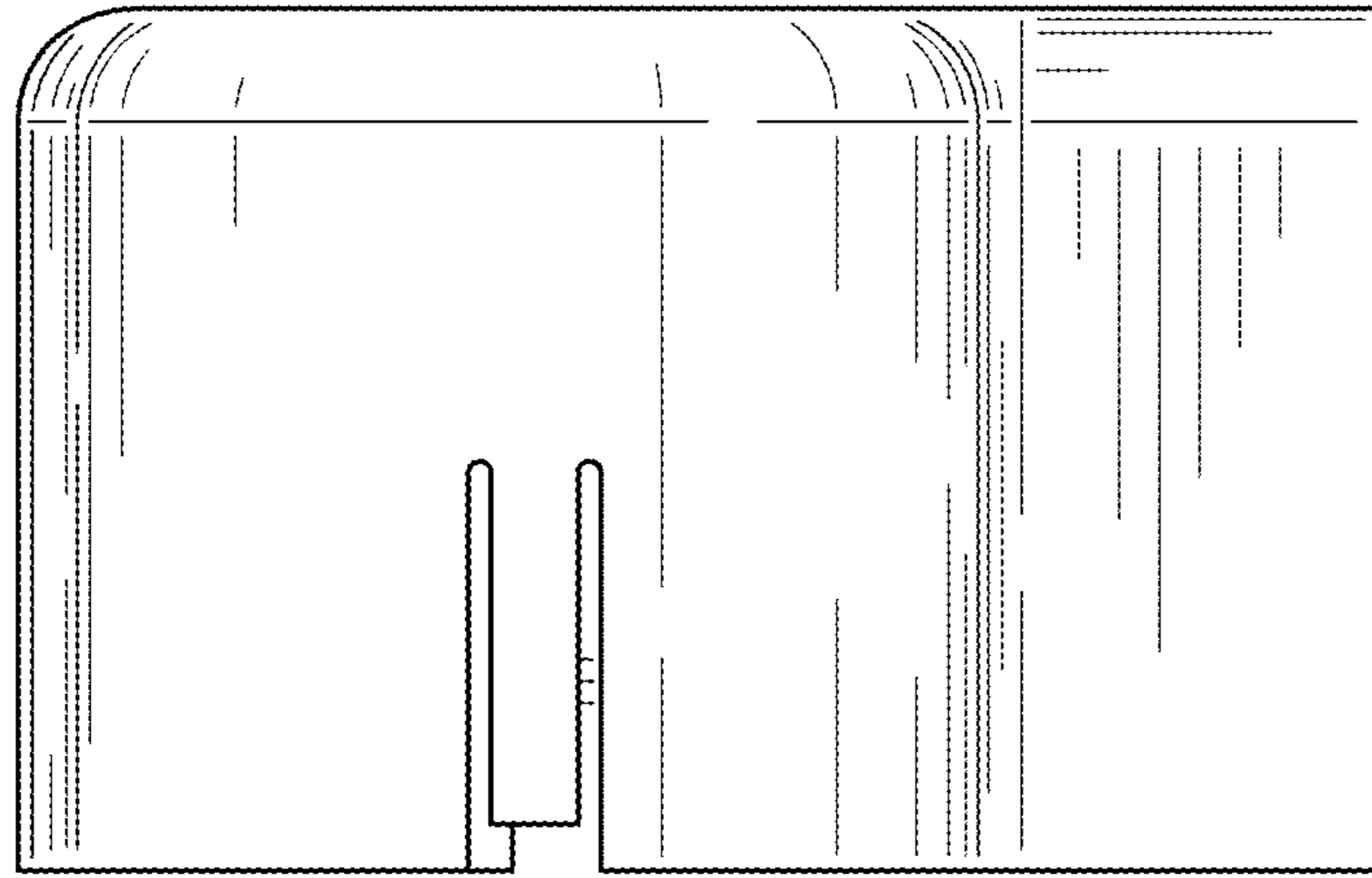


FIG. 2

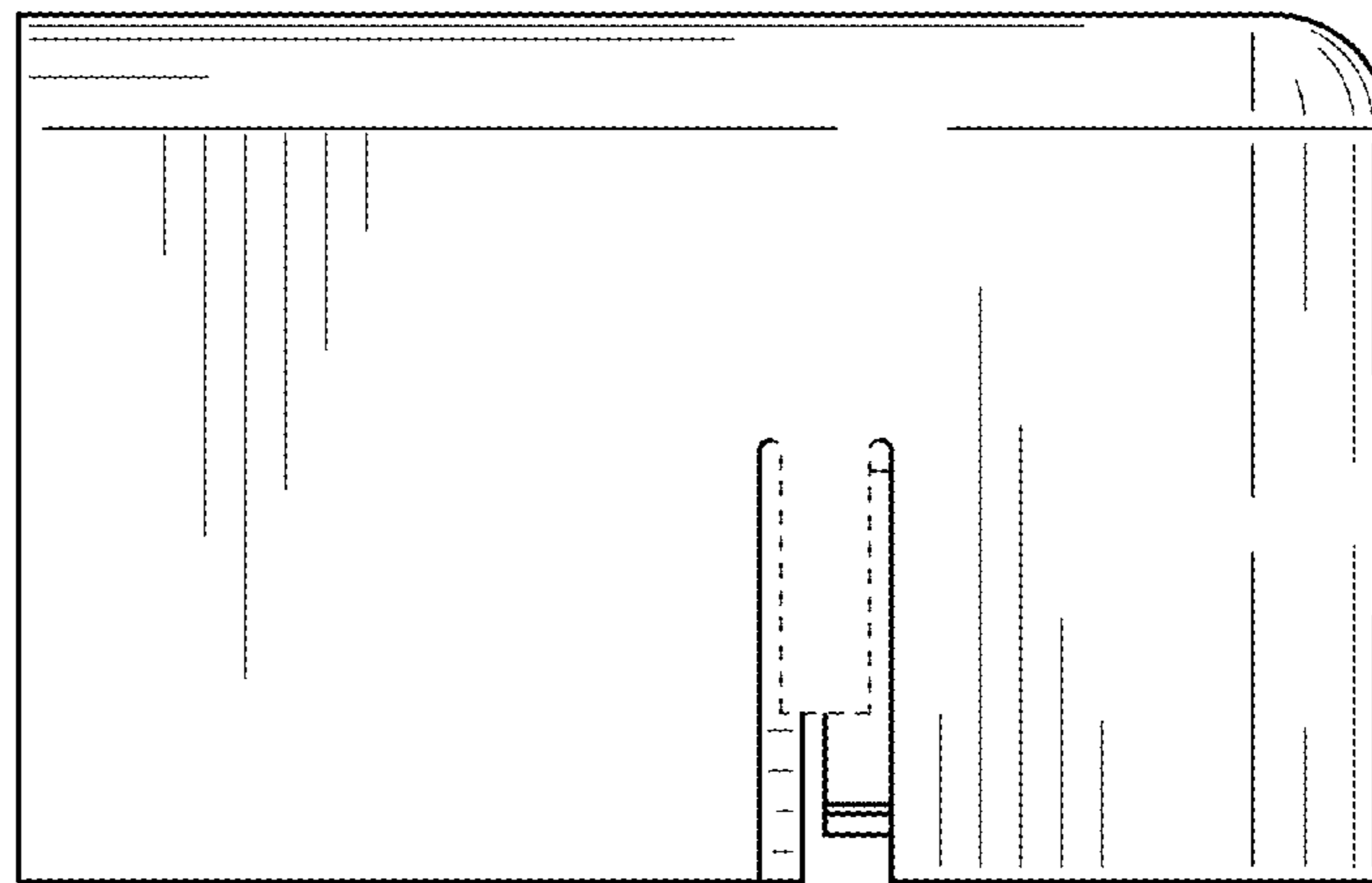


FIG. 3

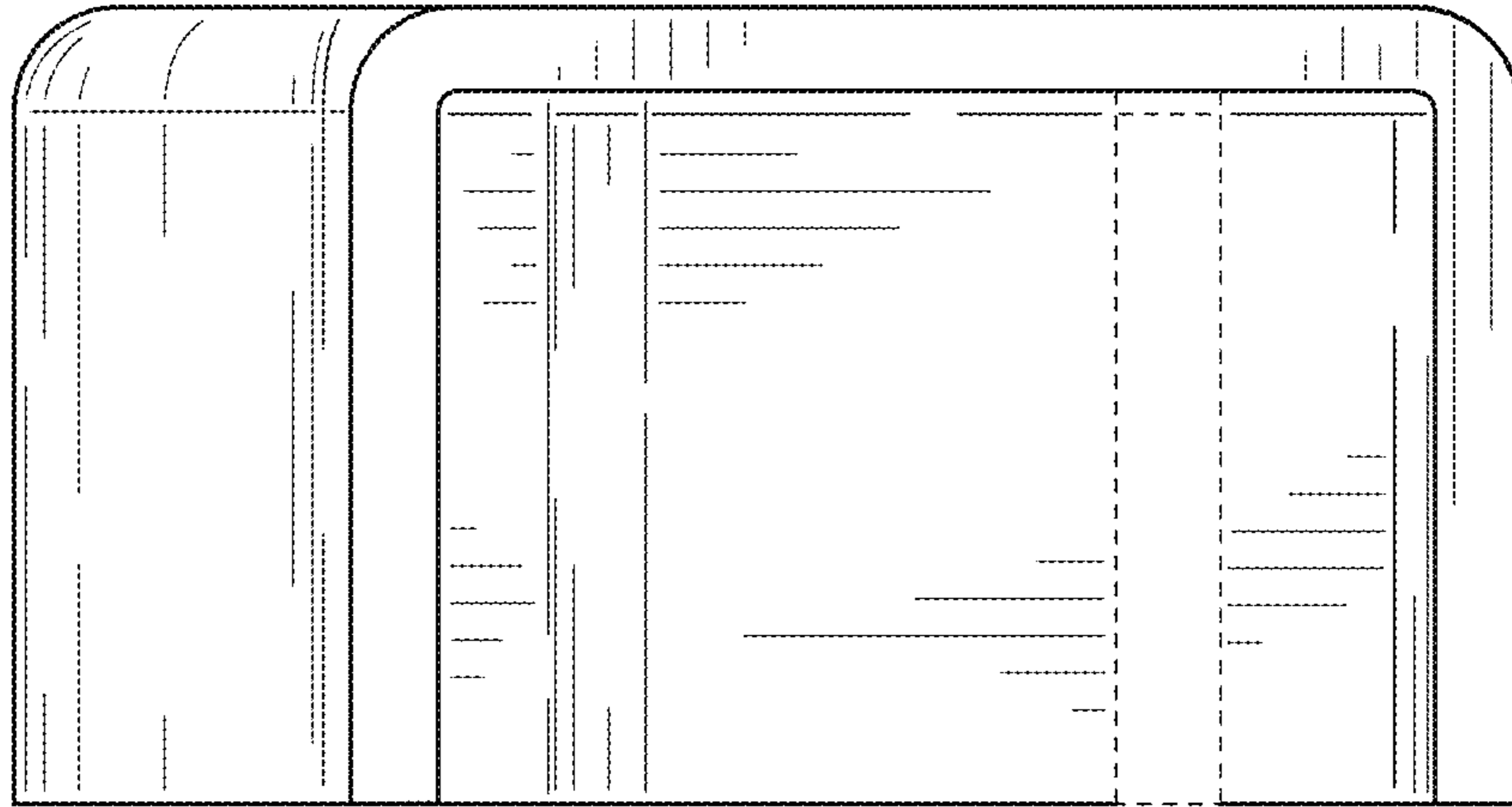


FIG. 4

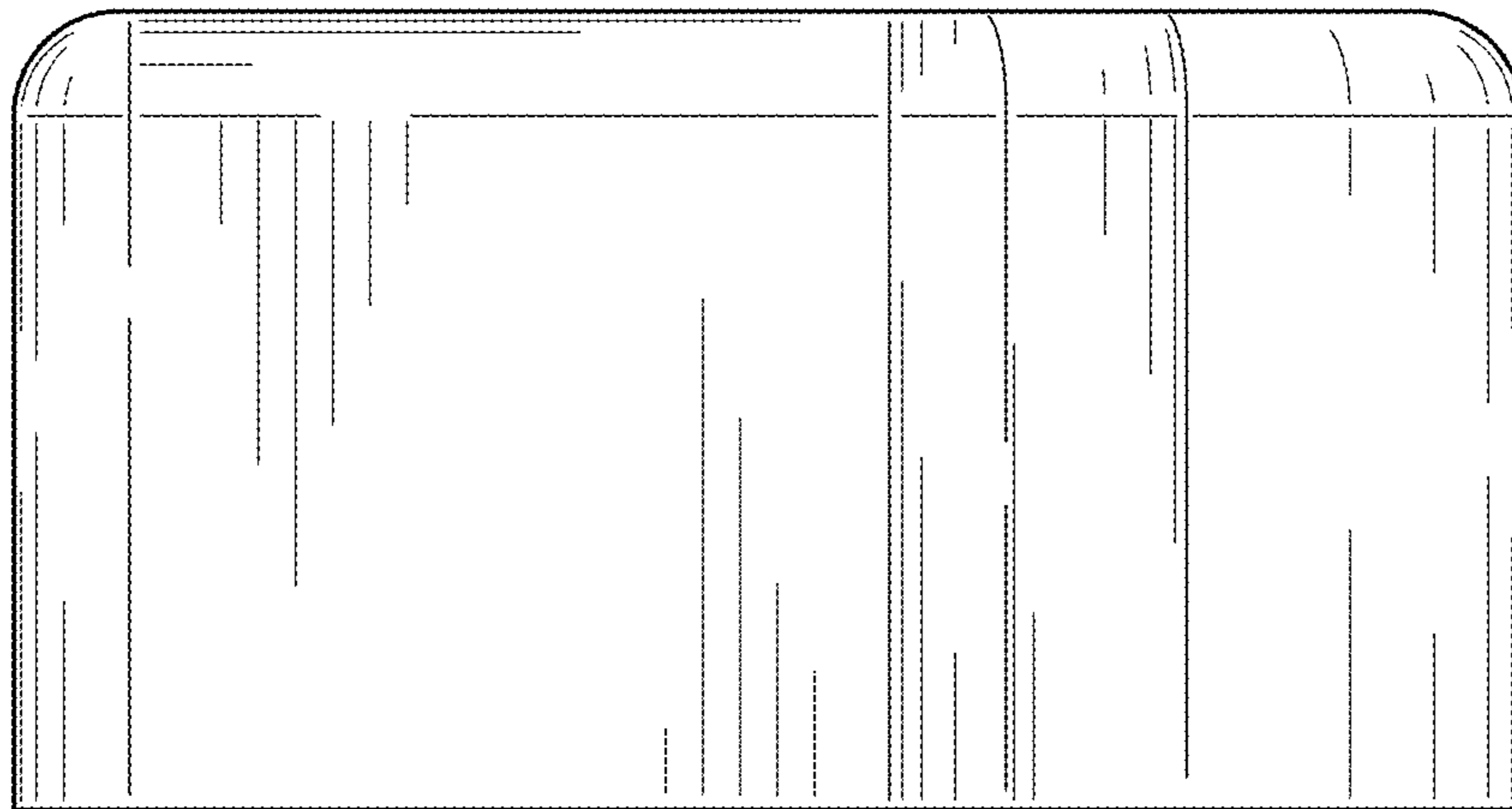


FIG. 5

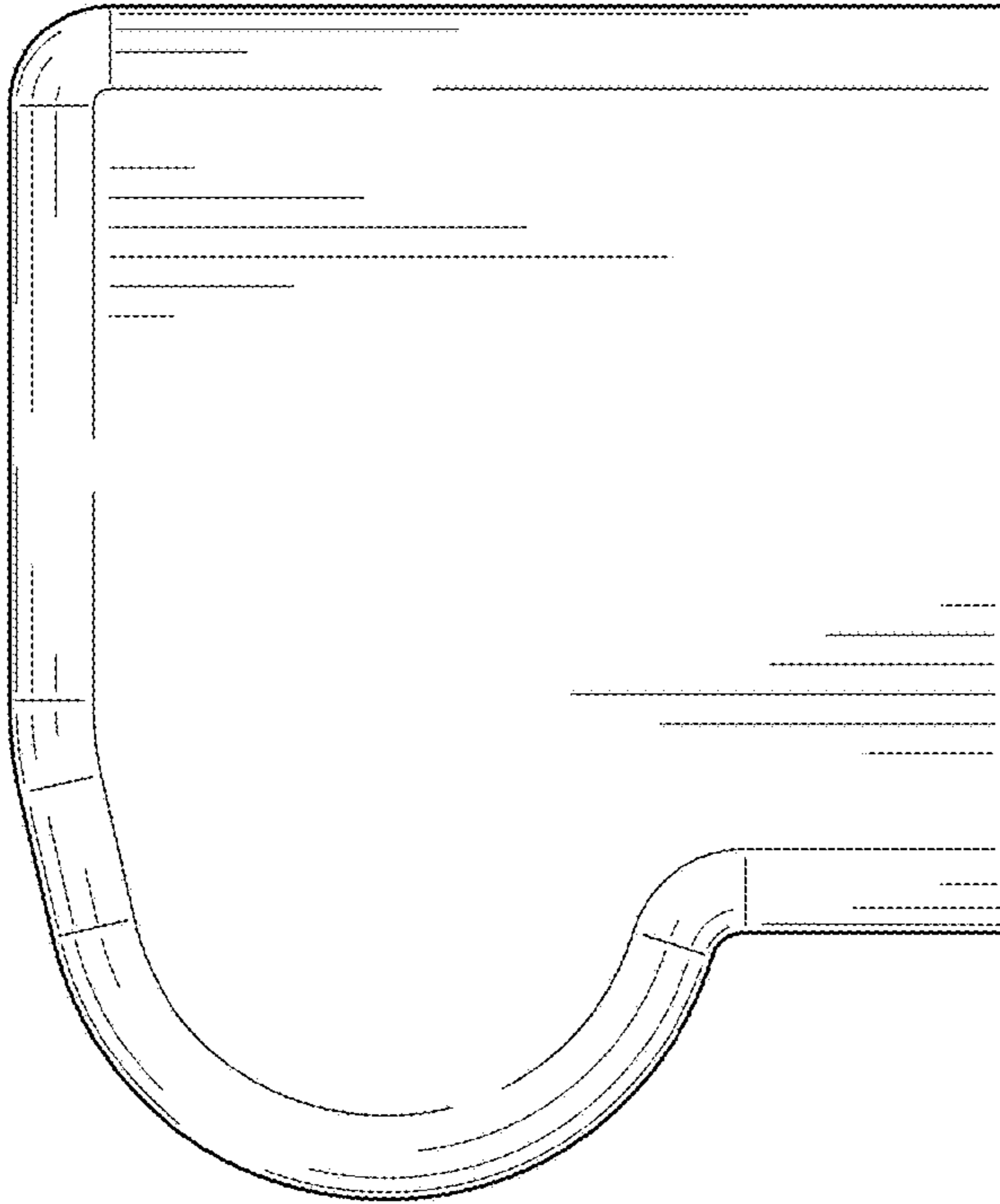


FIG. 6

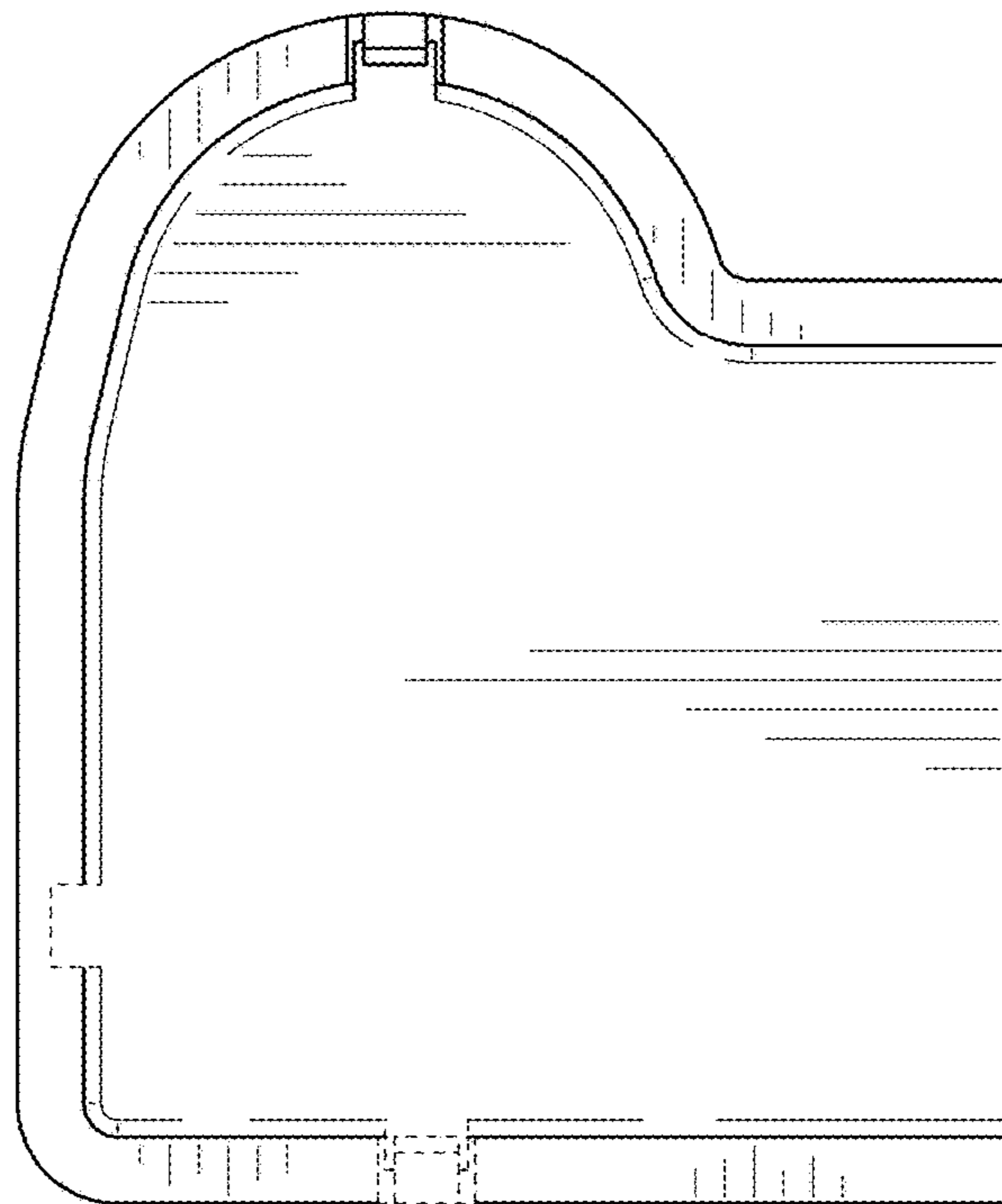


FIG. 7