

US00D838230S

(12) **United States Design Patent**  
**Ghannam et al.**

(10) **Patent No.:** **US D838,230 S**

(45) **Date of Patent:** **\*\* Jan. 15, 2019**

(54) **SENSOR COVER**

(71) Applicant: **Ford Motor Company**, Dearborn, MI (US)

(72) Inventors: **Mahmoud Yousef Ghannam**, Canton, MI (US); **Saied Nusier**, Canton, MI (US); **Swadad A. Carremm**, Canton, MI (US)

(73) Assignee: **FORD MOTOR COMPANY**, Dearborn, MI (US)

(\*\*) Term: **15 Years**

(21) Appl. No.: **29/574,798**

(22) Filed: **Aug. 18, 2016**

(51) **LOC (11) Cl.** ..... **12-16**

(52) **U.S. Cl.**  
USPC ..... **D12/400**

(58) **Field of Classification Search**  
USPC ..... D12/107, 110, 114, 115, 117, 126, 400, D12/401, 415, 404, 607, 182; D25/47.1; D10/56, 101  
CPC ..... B60R 1/04; B60R 1/12; B60R 2001/1223  
See application file for complete search history.

(56) **References Cited**

U.S. PATENT DOCUMENTS

254,144 A	2/1882	Lemon	
663,397 A	12/1900	Stoneburner et al.	
683,663 A	10/1901	Reinecke et al.	
705,716 A	7/1902	Stuart et al.	
743,411 A	11/1903	Agnell et al.	
743,518 A	11/1903	Kelly et al.	
751,462 A	2/1904	Clapham	
767,786 A	8/1904	Wheeler et al.	
768,400 A	8/1904	Piper et al.	
2,544,144 A	3/1951	Ellis	
D294,922 S *	3/1988	Nagy	D12/126
4,993,803 A	2/1991	Suverison	

D345,127 S *	3/1994	Stenglein	D12/126
5,627,315 A	5/1997	Figi	
D407,656 S *	4/1999	Klever	D10/56
D421,576 S *	3/2000	Clivio	D10/101

(Continued)

FOREIGN PATENT DOCUMENTS

CN	201298044 Y	8/2009
CN	203485859 U	3/2014

(Continued)

OTHER PUBLICATIONS

SAAB Rain Sensor Cover, image post date 2000, site visited May 7, 2017, (online), <<https://www.eeu.roparts.com/Parts/57222/Rain-Sensor-Cover-12796773/>>.

(Continued)

*Primary Examiner* — Michelle E. Wilson

*Assistant Examiner* — Clese Moore, Jr.

(74) *Attorney, Agent, or Firm* — James P. Muraff; Neal, Gerber & Eisenberg LLP

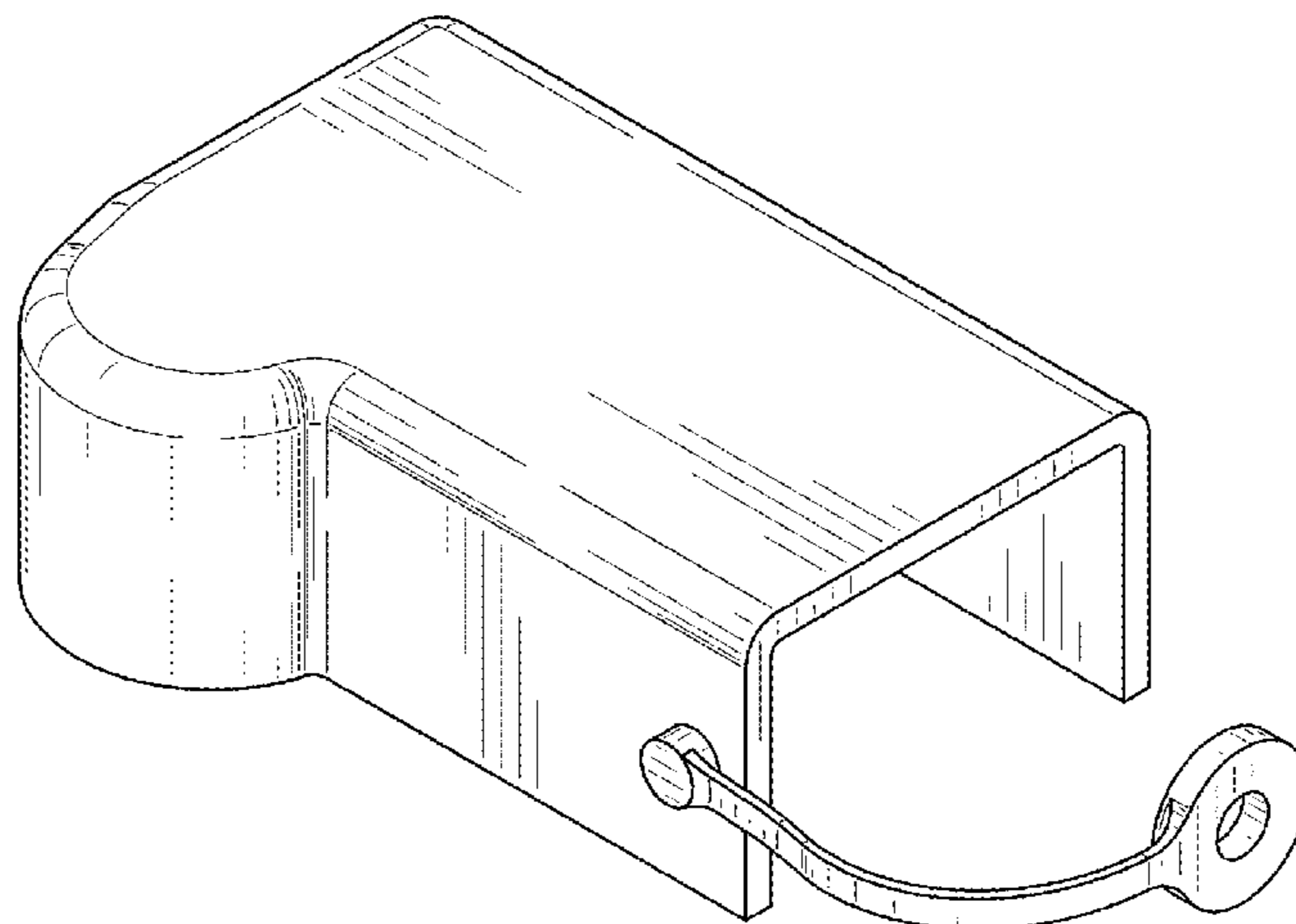
(57) **CLAIM**

The ornamental design for a sensor cover, as shown and described.

**DESCRIPTION**

FIG. 1 is a front, left perspective view of the sensor cover. FIG. 2 is a left side elevational view thereof. FIG. 3 is a right side elevational view thereof. FIG. 4 is a front elevational view thereof. FIG. 5 is a rear elevational view thereof. FIG. 6 is a top plan view thereof; and, FIG. 7 is a bottom plan view thereof. The broken line showings of the recesses are for the purpose of illustrating portions of the article and form no portion of the claimed design.

**1 Claim, 4 Drawing Sheets**



(56)

References Cited

U.S. PATENT DOCUMENTS

6,066,933 A \* 5/2000 Ponziana ..... B60R 1/04  
318/443  
6,392,218 B1 \* 5/2002 Kuehnle ..... B60S 1/0822  
250/208.1  
6,502,839 B1 1/2003 Chino et al.  
6,761,296 B2 7/2004 Ford et al.  
D518,420 S \* 4/2006 Schmidt ..... D12/126  
D537,388 S \* 2/2007 Martell ..... D12/126  
D579,833 S 11/2008 Acenbrak  
D581,298 S 11/2008 Beaujard et al.  
D623,121 S 9/2010 Lewis  
D625,622 S \* 10/2010 Mallela ..... D10/56  
D651,964 S 1/2012 Sakae  
8,177,292 B1 5/2012 Baccouche et al.  
D661,630 S 6/2012 Fehring  
D663,397 S 7/2012 Yeung  
D664,284 S 7/2012 Komarov et al.  
D665,249 S 8/2012 Hernandez  
D666,891 S 9/2012 Gulseth  
D683,663 S 6/2013 Foley  
D705,716 S 5/2014 Newman  
8,894,121 B2 11/2014 Eilers et al.  
D719,887 S 12/2014 Hensel et al.  
D719,896 S 12/2014 Sakae  
8,907,663 B2 12/2014 Lee  
D724,330 S 3/2015 Toll  
8,966,975 B2 3/2015 Campbell et al.  
D726,094 S 4/2015 Simecek et al.  
D729,691 S 5/2015 Baron  
D736,141 S 8/2015 Sakae  
9,120,219 B1 9/2015 Liao et al.  
D741,780 S 10/2015 Lee  
D742,718 S 11/2015 Bouthillier  
D742,797 S 11/2015 Sugiura  
D743,239 S 11/2015 Jones, Jr. et al.  
D743,411 S 11/2015 Zenri  
D744,073 S 11/2015 Waggoner et al.  
9,199,592 B1 12/2015 Nusier et al.  
D747,225 S 1/2016 Decook et al.  
D750,706 S 3/2016 Kim et al.  
D751,023 S 3/2016 Hennen  
D751,462 S 3/2016 Baron  
D754,449 S 4/2016 Lam  
D762,462 S 8/2016 Anderson  
D764,822 S 8/2016 Toll  
D766,130 S 9/2016 Baron  
D767,908 S 10/2016 Berry et al.  
D768,400 S 10/2016 Berry et al.  
D769,034 S 10/2016 Lawson  
D769,235 S 10/2016 Li  
D773,839 S 12/2016 Player  
D774,791 S 12/2016 Toll  
D775,036 S 12/2016 Shafer  
D775,537 S \* 1/2017 Kikstra ..... D10/106.6  
D775,561 S 1/2017 Platto et al.  
D775,565 S 1/2017 Shafer  
D776,165 S 1/2017 Ellison et al.  
D776,747 S 1/2017 Lenihan  
D778,184 S \* 2/2017 Kikstra ..... D10/106.6  
D783,463 S \* 4/2017 Reed ..... D12/126  
D784,033 S 4/2017 Li  
D785,052 S 4/2017 Underhill et al.  
D797,646 S \* 9/2017 Ghannam ..... D12/400  
2002/0096517 A1 7/2002 Gelardi  
2006/0022531 A1 2/2006 Tenca et al.

2006/0156806 A1 \* 7/2006 Peterson ..... B60S 1/0822  
73/170.17  
2007/0256946 A1 11/2007 Godshaw et al.  
2008/0164707 A1 7/2008 Belwafa et al.  
2008/0203782 A1 8/2008 Bigolin  
2009/0039127 A1 2/2009 Dacko  
2009/0152912 A1 6/2009 Yu  
2009/0193632 A1 8/2009 Yeh  
2010/0206021 A1 8/2010 Tribout et al.  
2011/0006027 A1 1/2011 Domoy et al.  
2011/0185812 A1 8/2011 Raschke  
2011/0285176 A1 11/2011 Baccouche et al.  
2013/0256353 A1 10/2013 Angeli et al.  
2013/0272009 A1 10/2013 Fujiu et al.  
2014/0036522 A1 2/2014 Nakada  
2014/0060882 A1 3/2014 Ellis et al.  
2014/0286031 A1 9/2014 Marcori et al.  
2015/0202402 A1 7/2015 Kat  
2015/0225137 A1 8/2015 Wei et al.  
2015/0331087 A1 11/2015 Philipp et al.  
2016/0033621 A1 2/2016 Ottenhues et al.  
2016/0116666 A1 4/2016 Sato  
2016/0264314 A1 9/2016 Bristow  
2016/0264315 A1 9/2016 Downey et al.  
2016/0372832 A1 12/2016 Park et al.  
2017/0062929 A1 3/2017 Abe  
2017/0107022 A1 4/2017 Lee

FOREIGN PATENT DOCUMENTS

EP 2918545 A1 9/2015  
JP 10316393 A 12/1998  
JP 4057246 B2 3/2008  
KR 20120059907 A 6/2012  
WO WO 84/02613 A1 7/1984  
WO WO 2008/003664 A1 1/2008

OTHER PUBLICATIONS

P2M Nissan SR200ET Billet Aluminum Crank Angle Sensor Cover Silver P2-CASNSR20S-GO, image post date Jul. 3, 2015, site visited May 7, 2017, (online), <[https://guide.alibaba.com/shop/p2m-nissan-sr20det-billet-aluminurn-crank-angle-sensor-coversilver-p2-casnsr20s-gd\\_59449234.html](https://guide.alibaba.com/shop/p2m-nissan-sr20det-billet-aluminurn-crank-angle-sensor-coversilver-p2-casnsr20s-gd_59449234.html)>.  
Genuine Ford Rain Sensor Cover 1798226, image post date 2008, site visited May 7, 2017, (online), <<https://picclick.co.uk/Genuine-Ford-Rain-Sensor-Cover-1798226-122136621218.html>>.  
Unpublished pending U.S. Appl. No. 15/240,953, filed Aug. 18, 2016, pursuant to the Commissioner's Notice dated Sep. 21, 2004.  
Unpublished pending U.S. Appl. No. 29/574,821, filed Aug. 18, 2016, pursuant to the Commissioner's Notice dated Sep. 21, 2004.  
Unpublished pending U.S. Appl. No. 29/574,799, filed Aug. 18, 2016, pursuant to the Commissioner's Notice dated Sep. 21, 2004.  
Unpublished pending U.S. Appl. No. 29/574,795, filed Aug. 18, 2016, pursuant to the Commissioner's Notice dated Sep. 21, 2004.  
OEM Windshield Rain Sensor Cover, image post date 2013, site visited May 9, 2017, (online), <<http://www.ebay.com/itm/BRAND-NEW-OEM-WINDSHIELD-RAIN-SENSOR-COVER-FORD-LINCOLN-MERCURY-9L3Z-17D550-A/361181938502>>.  
Imfsoft aluminium timing cover, image post date Aug. 15, 2014, site visited Jan. 9, 2017, (online), <http://www.mjscrane.com/panhard/ignition/>.  
Search Report dated Jan. 24, 2018, for GB Patent Application No. 1713041.0 (4 pages).

\* cited by examiner

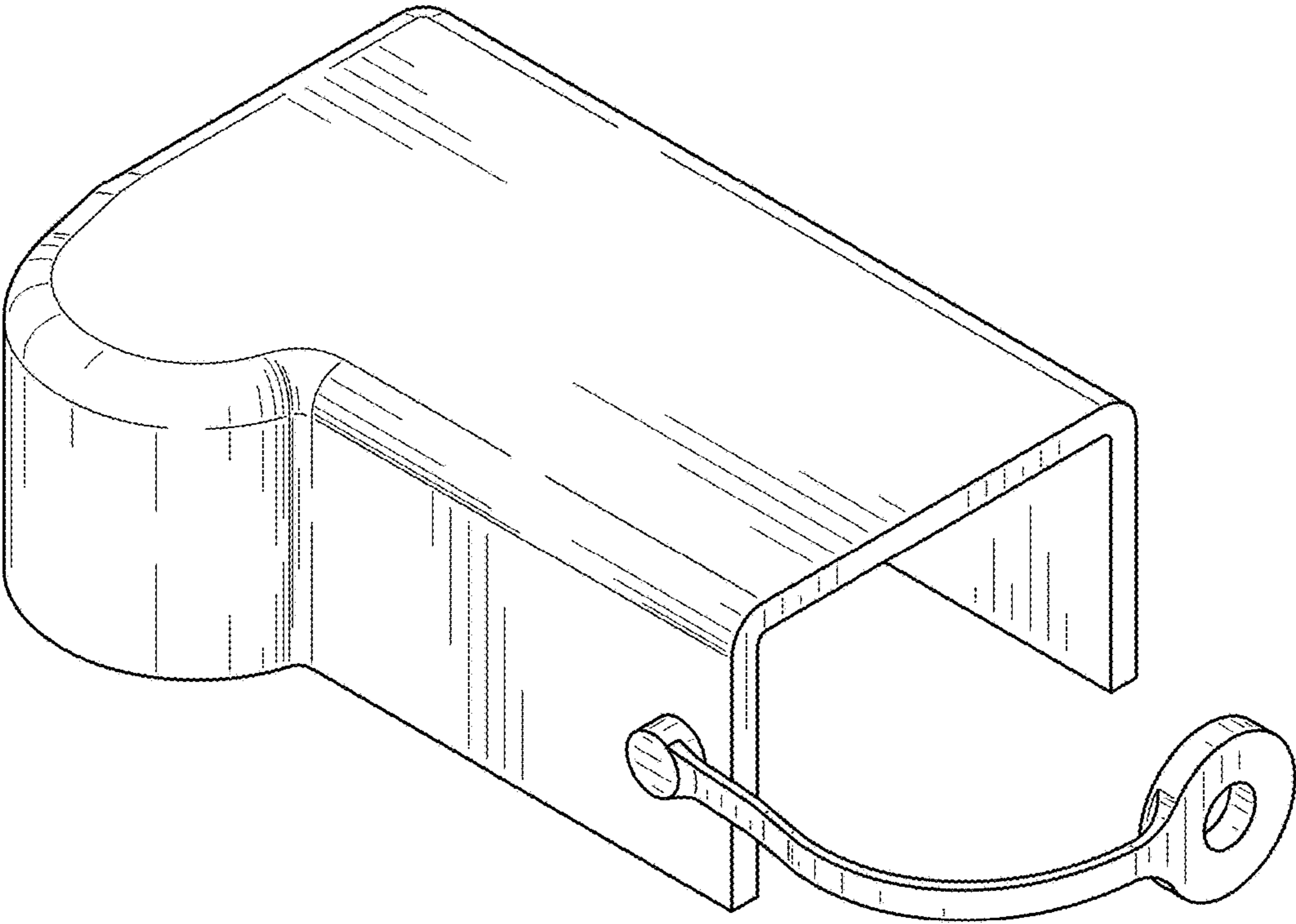


FIG. 1

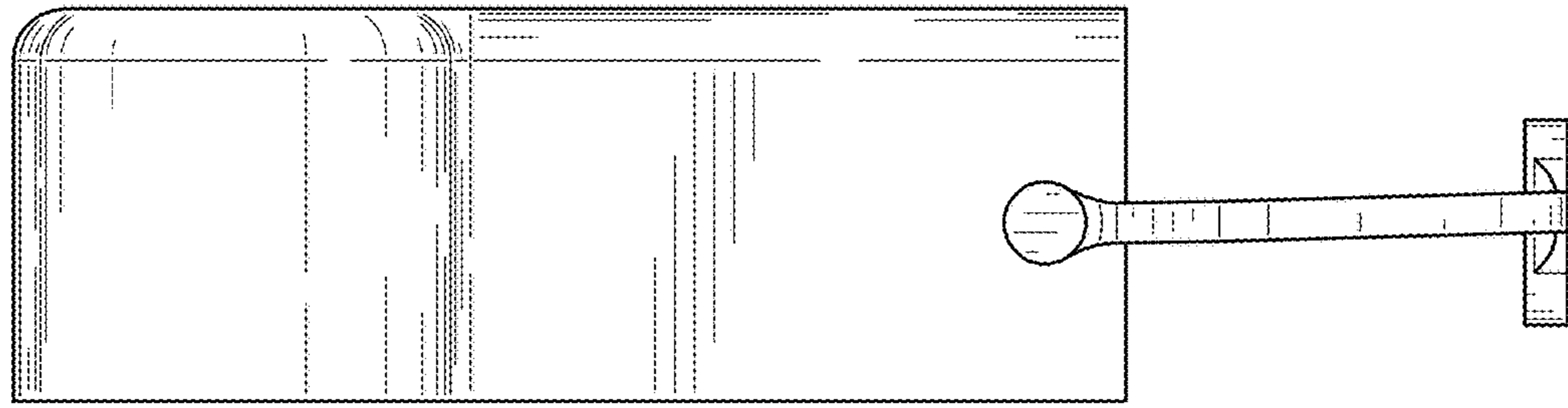


FIG. 2

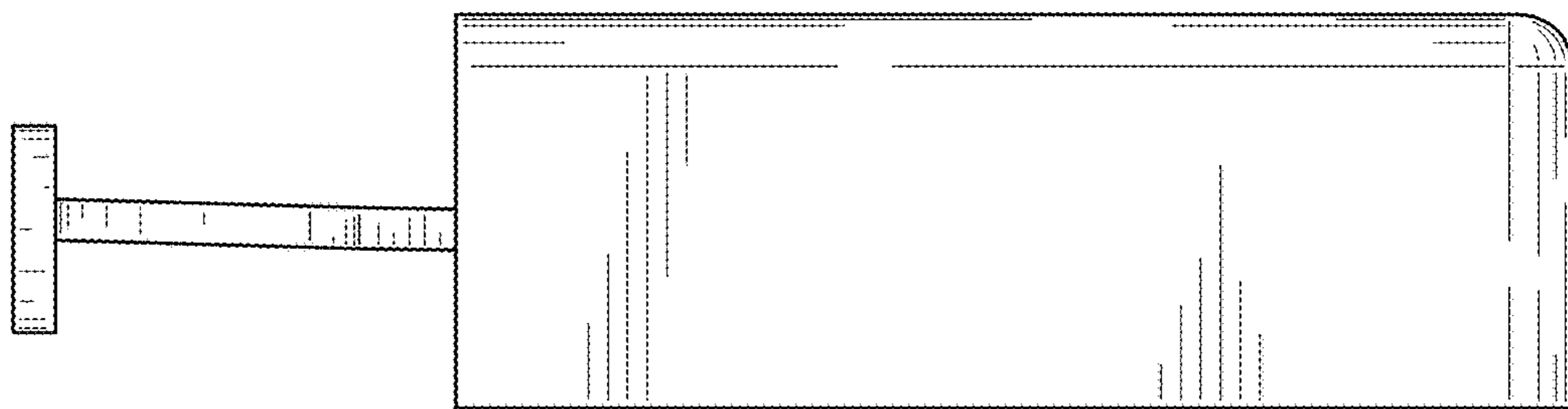


FIG. 3

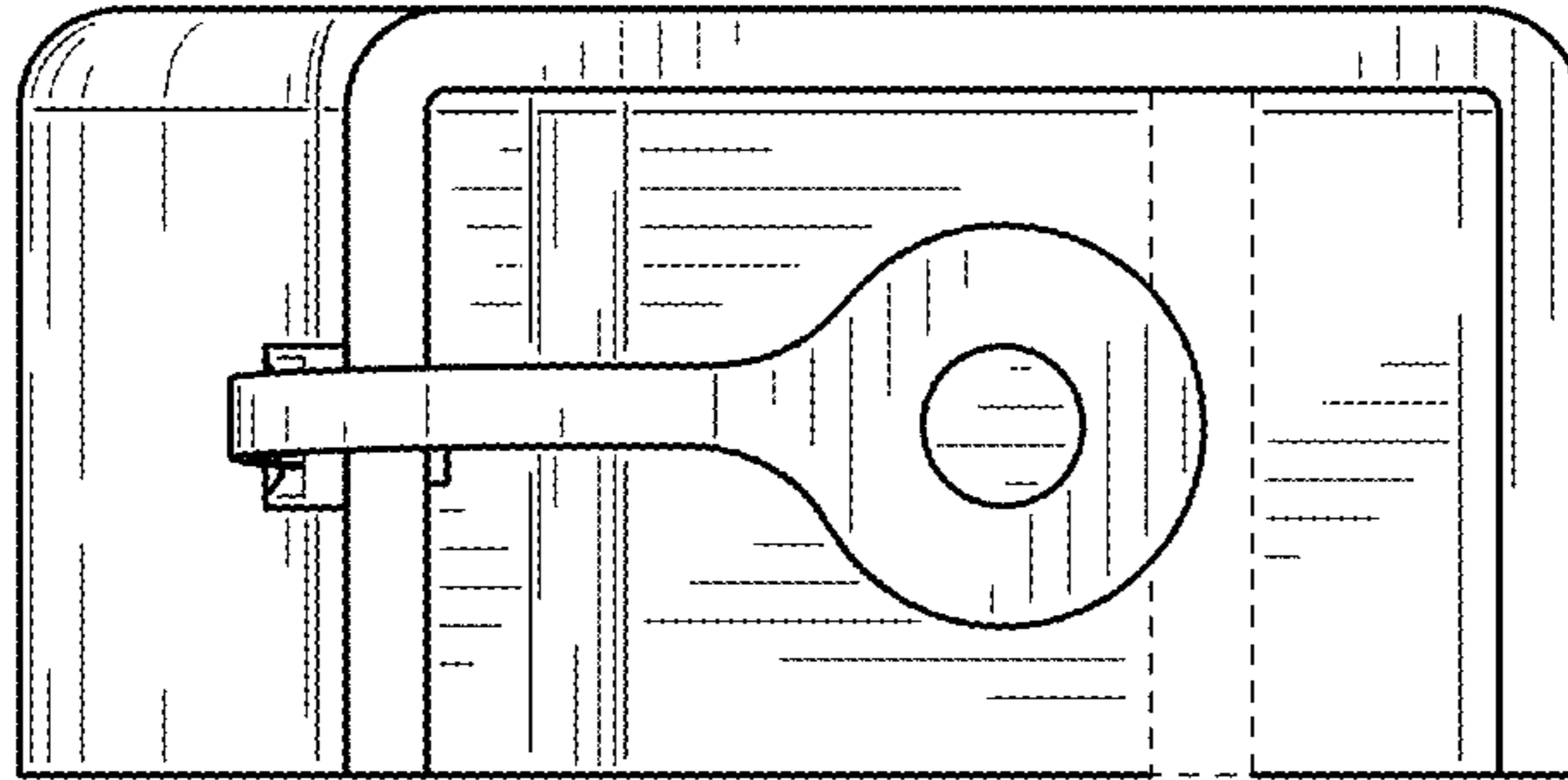


FIG. 4

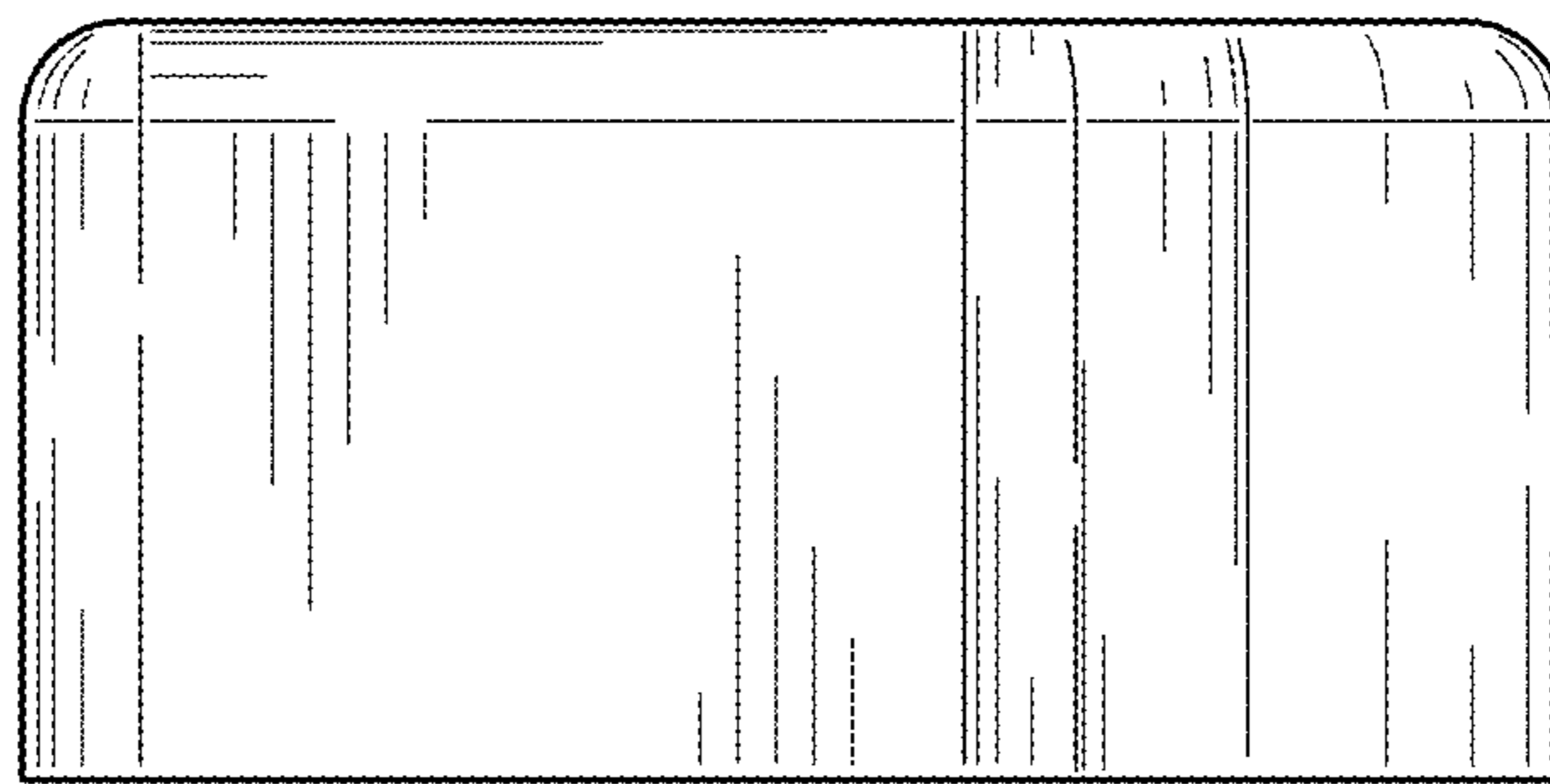


FIG. 5

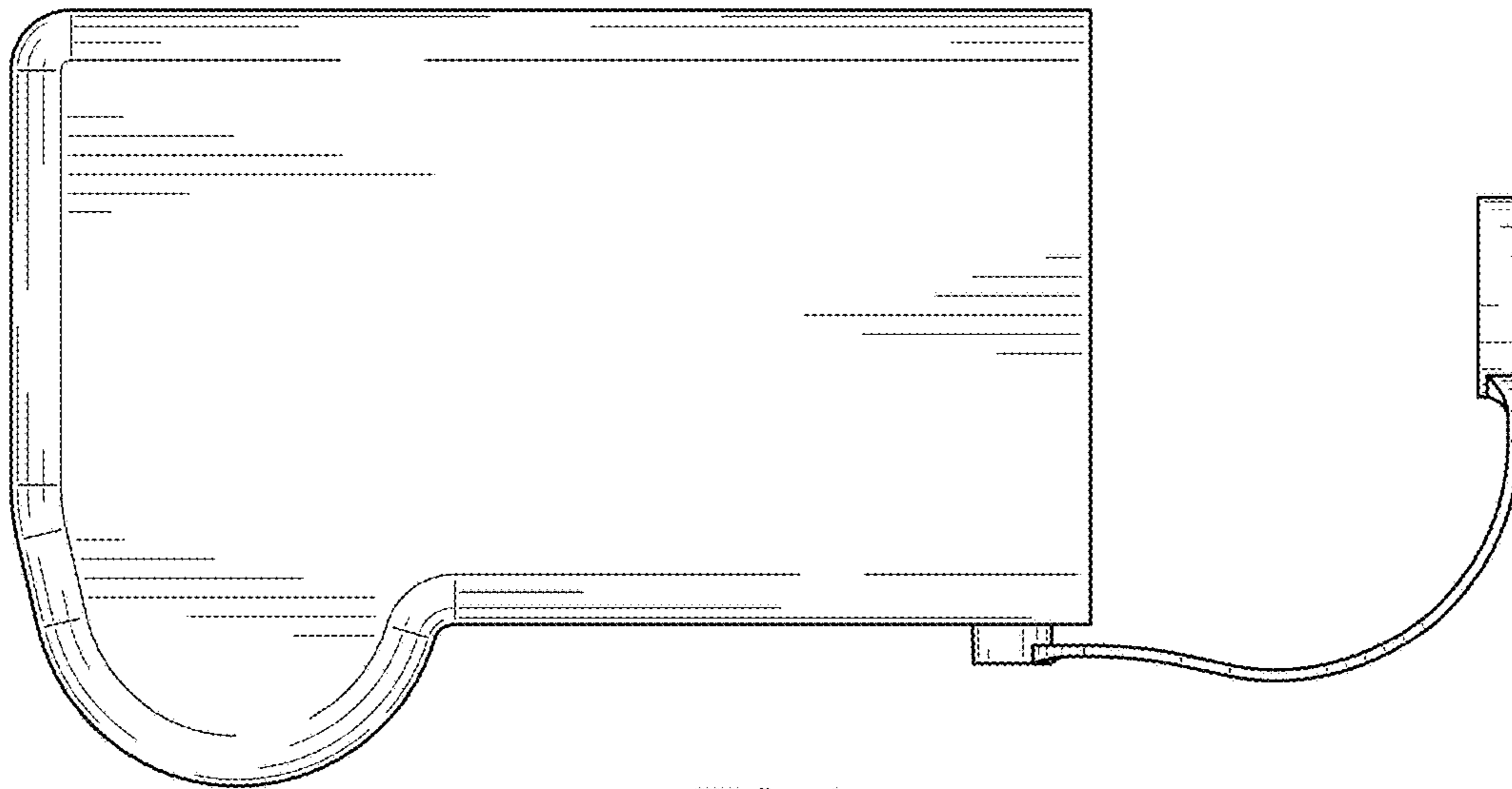


FIG. 6

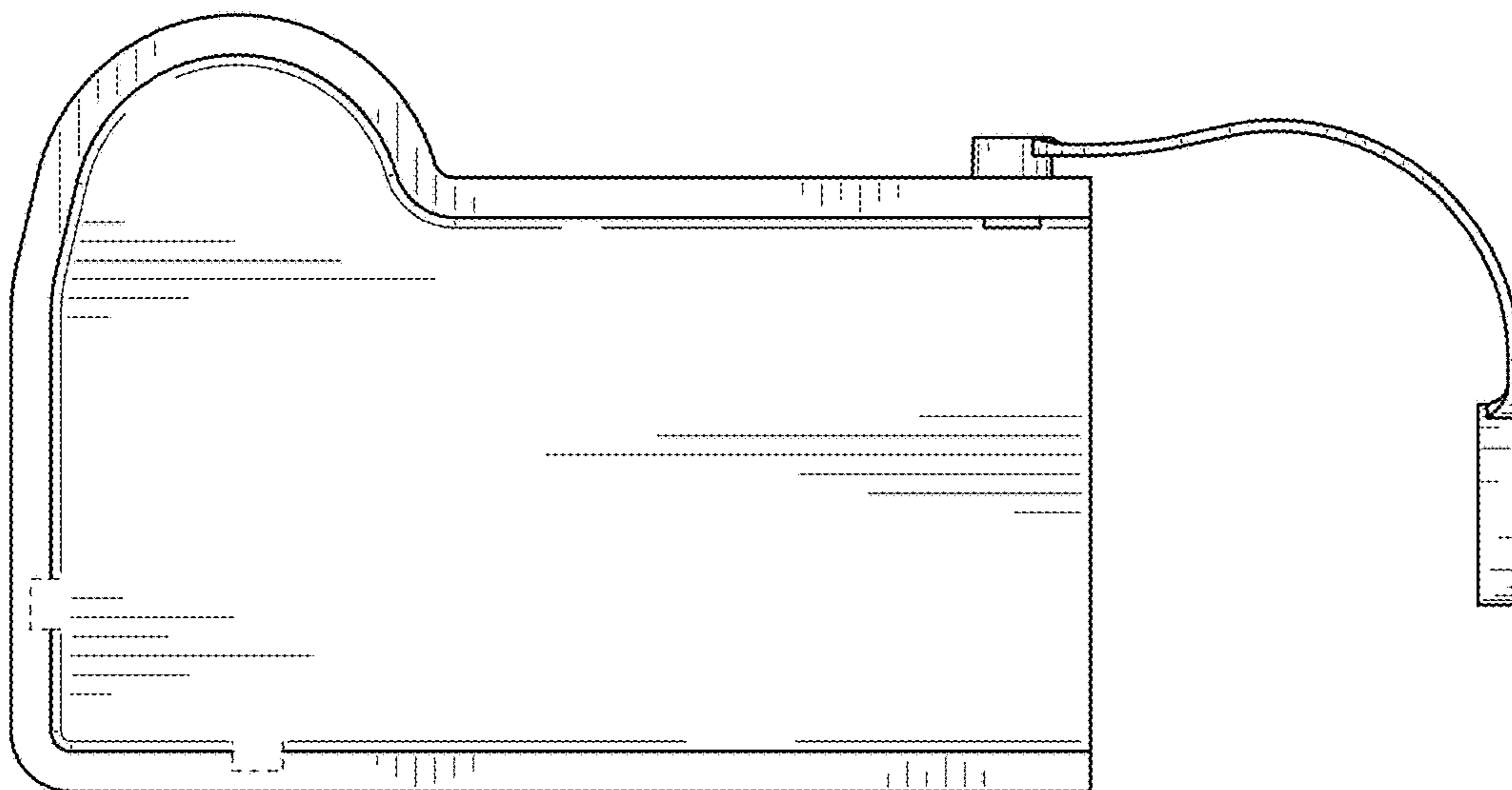


FIG. 7