



US00D838229S

(12) **United States Design Patent** (10) **Patent No.:** **US D838,229 S**
Goodier (45) **Date of Patent:** **** Jan. 15, 2019**

(54) **HYDRAULIC OIL COOLER HAVING STEPS**

(71) Applicant: **PARAGON TANK TRUCK EQUIPMENT, LLC**, Milwaukee, WI (US)

(72) Inventor: **Peter Charles Goodier**, White, GA (US)

(73) Assignee: **PARAGON TANK TRUCK EQUIPMENT, LLC**, Milwaukee, WI (US)

(**) Term: **15 Years**

(21) Appl. No.: **29/578,876**

(22) Filed: **Sep. 26, 2016**

(51) **LOC (11) Cl.** **12-16**

(52) **U.S. Cl.**
USPC **D12/218; D12/400**

(58) **Field of Classification Search**
USPC D12/82, 93, 95, 101, 106, 198, 203, 218, D12/400; D15/7-9, 148, 150, 152; D23/225, 231, 232
CPC B60P 3/22; B60P 3/2245; F04B 1/005; F04B 53/92; F02M 37/04; F02M 37/14; B60R 3/00; B60K 11/02

See application file for complete search history.

(56) **References Cited**

U.S. PATENT DOCUMENTS

D777,792 S * 1/2017 Goodier D15/7
9,981,607 B2 * 5/2018 Goodier B60K 11/02
2001/0050167 A1 * 12/2001 Buysse B60P 3/2245
165/279
2018/0099615 A1 * 4/2018 Goodier B60K 11/02

FOREIGN PATENT DOCUMENTS

CA 2329949 A1 * 6/2001
CA 2018-27702 F * 4/2018

CA 2955851 A1 * 4/2018 B60R 3/00
CN 2009-M87236 * 10/2008
CN 2011-L55254 * 12/2010
CN 2012-M43181 * 7/2011
CN 2012-Q40589 * 12/2011
CN 2012-Q47406 * 2/2012
CN 2013-D60594 * 12/2012
CN 2014-P18476 * 6/2014
CN 2015-36280 H * 4/2015
CN 2016-69264 * 10/2016

(Continued)

OTHER PUBLICATIONS

HydraFLOW-HE Cooler, posted on paragontrailer.com, no posted date given, no production date given, [online]. [site visited Jun. 14, 2018], available from internet, URL: https://www.paragontrailer.com/index.php?option=com_content&view=article&id=27&product_id=4466&Itemid=116 (Year: 2018).*

Primary Examiner — Melanie H Tung

Assistant Examiner — Fitzgerald L Butac

(74) *Attorney, Agent, or Firm* — Christopher C. Dremann, P.C.; Christopher C. Dremann

(57) **CLAIM**

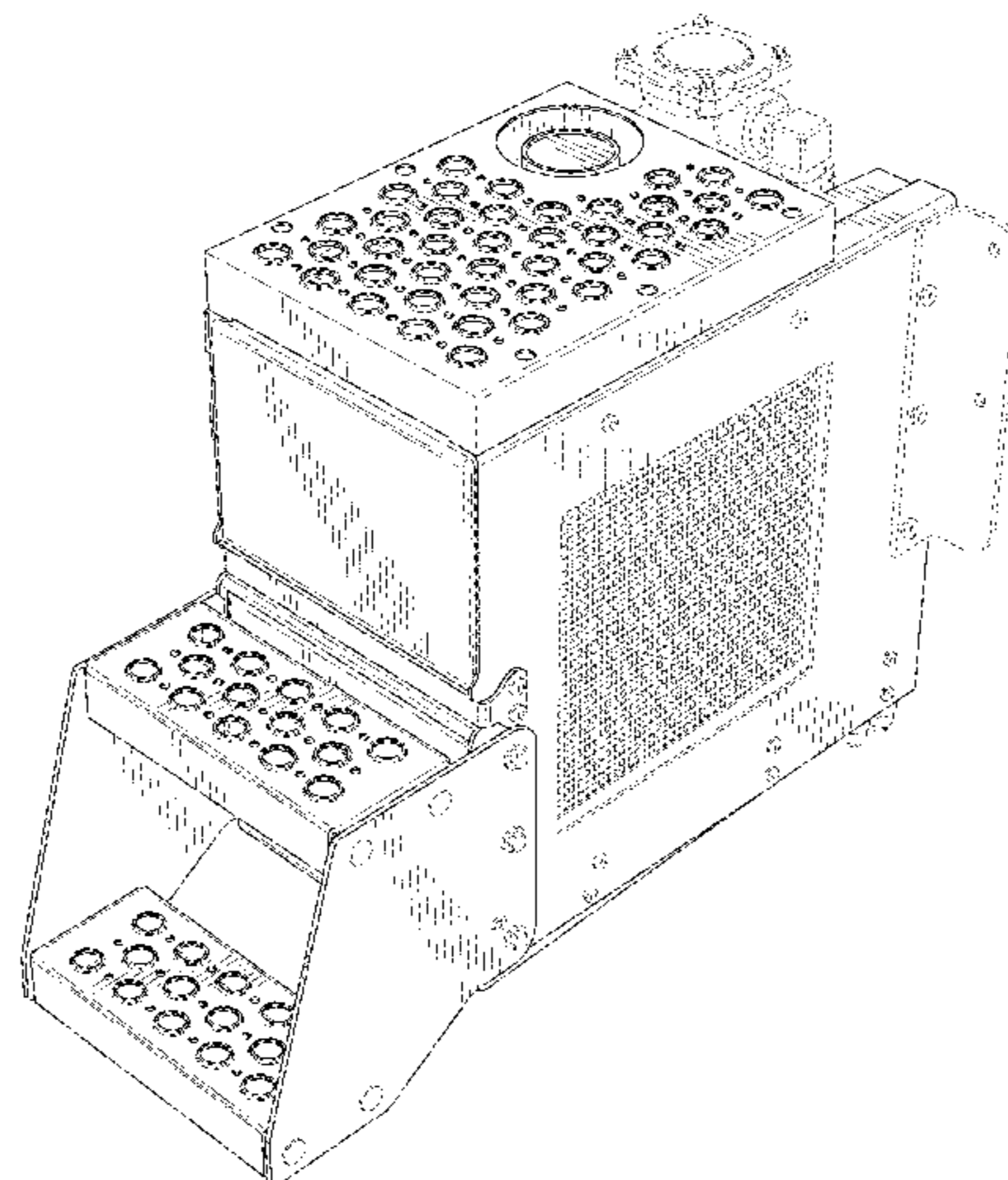
The ornamental design for a hydraulic oil cooler having steps, as shown and described.

DESCRIPTION

FIG. 1 is a perspective view of a hydraulic oil cooler having steps, showing my new design;
FIG. 2 is a front view thereof;
FIG. 3 is a rear view thereof;
FIG. 4 is a right side view thereof;
FIG. 5 is a left side view thereof;
FIG. 6 is a top view thereof; and,
FIG. 7 is a bottom view thereof.

The broken lines show portions of the hydraulic oil cooler having steps that form no part of the claimed design.

1 Claim, 7 Drawing Sheets



(56)

References Cited

FOREIGN PATENT DOCUMENTS

CN	2017-01879	*	12/2016
CN	2017-09877 U	*	2/2017
CN	2017-09877 W	*	2/2017
CN	2017-58152 A	*	8/2017
CN	2017-63867Q	*	9/2017
CN	2017-638689	*	9/2017
EP	2015-82454 M	*	12/2015
KR	2008-J46754	*	1/2008

* cited by examiner

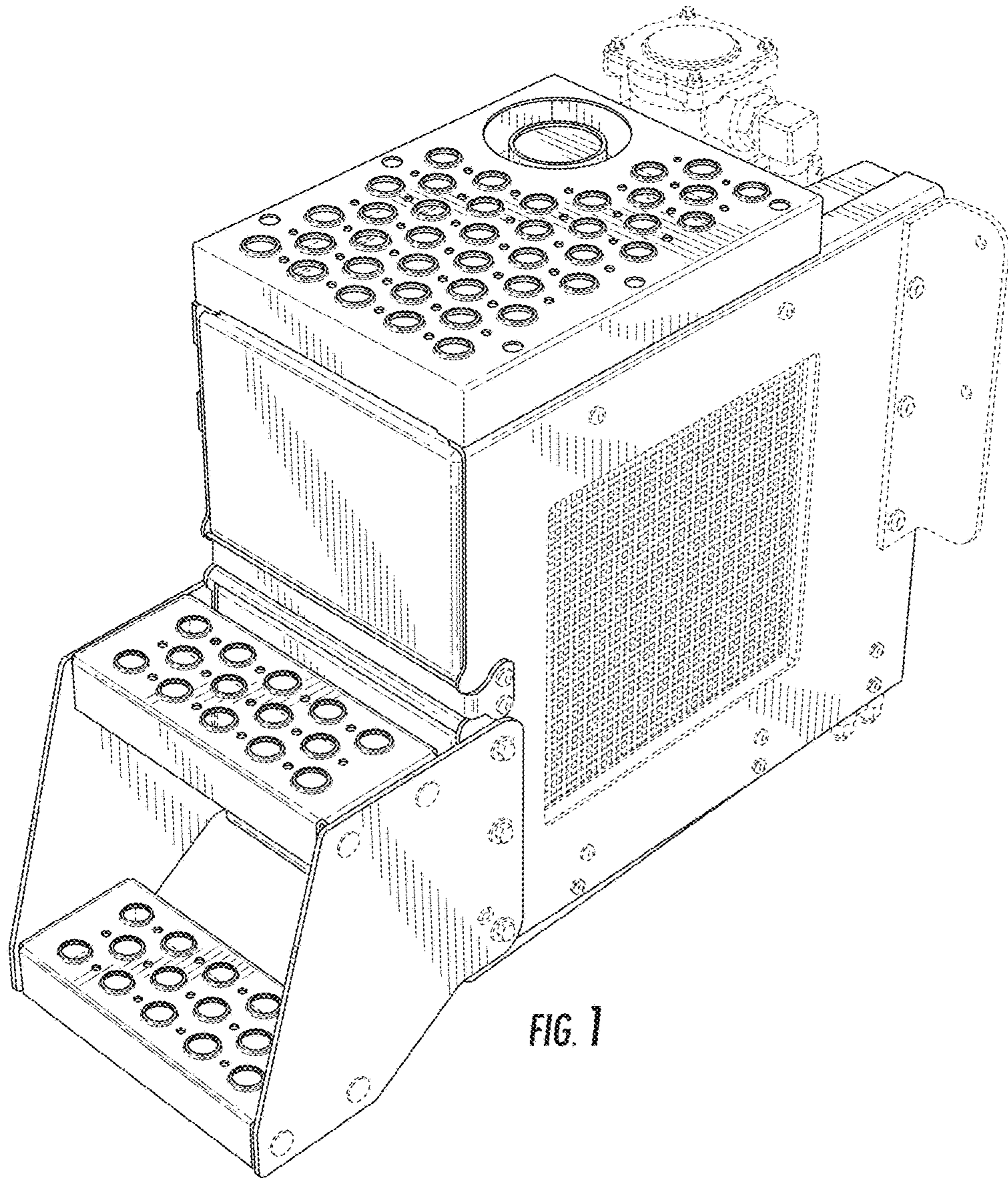


FIG. 1

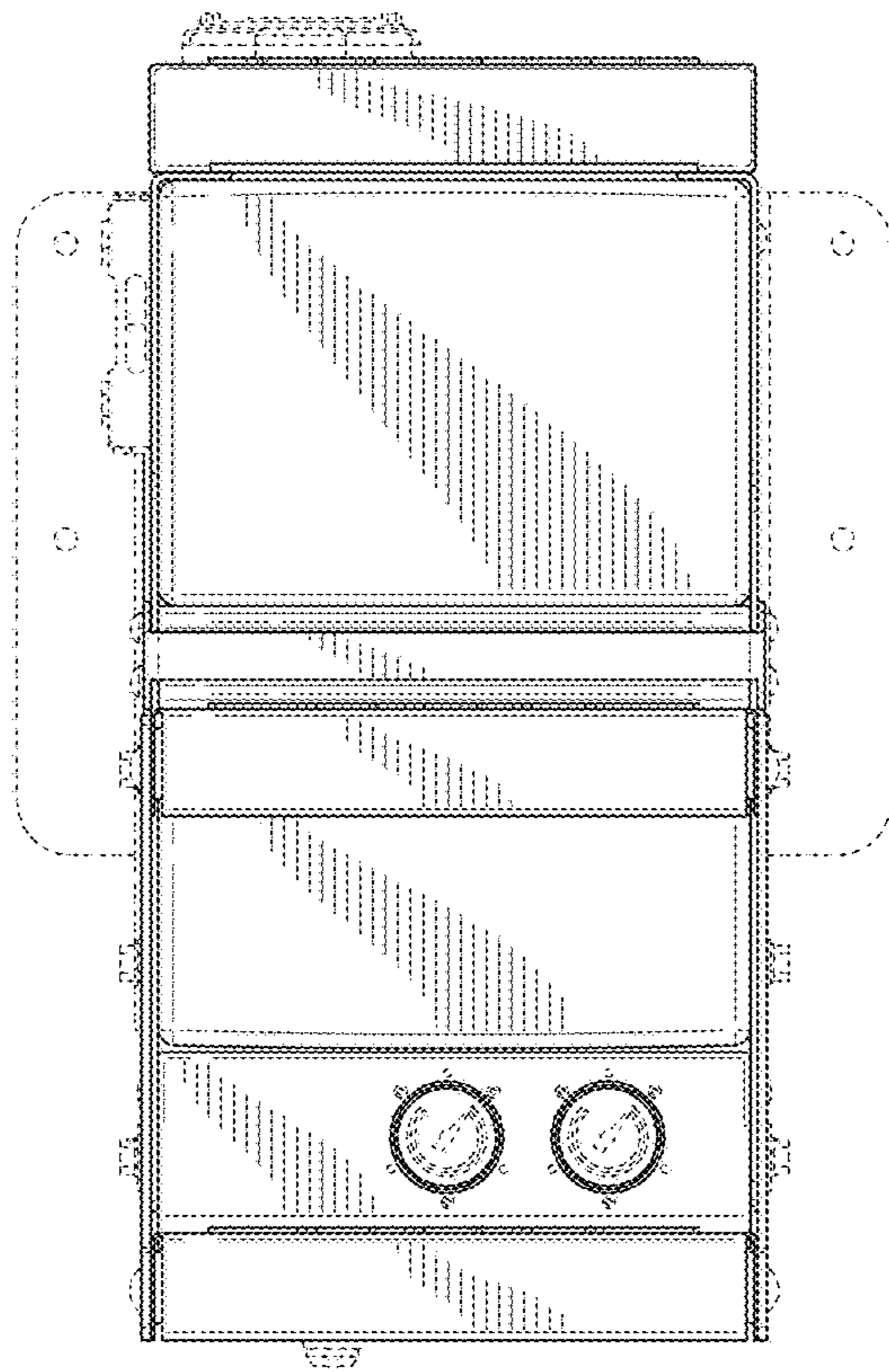


FIG. 2

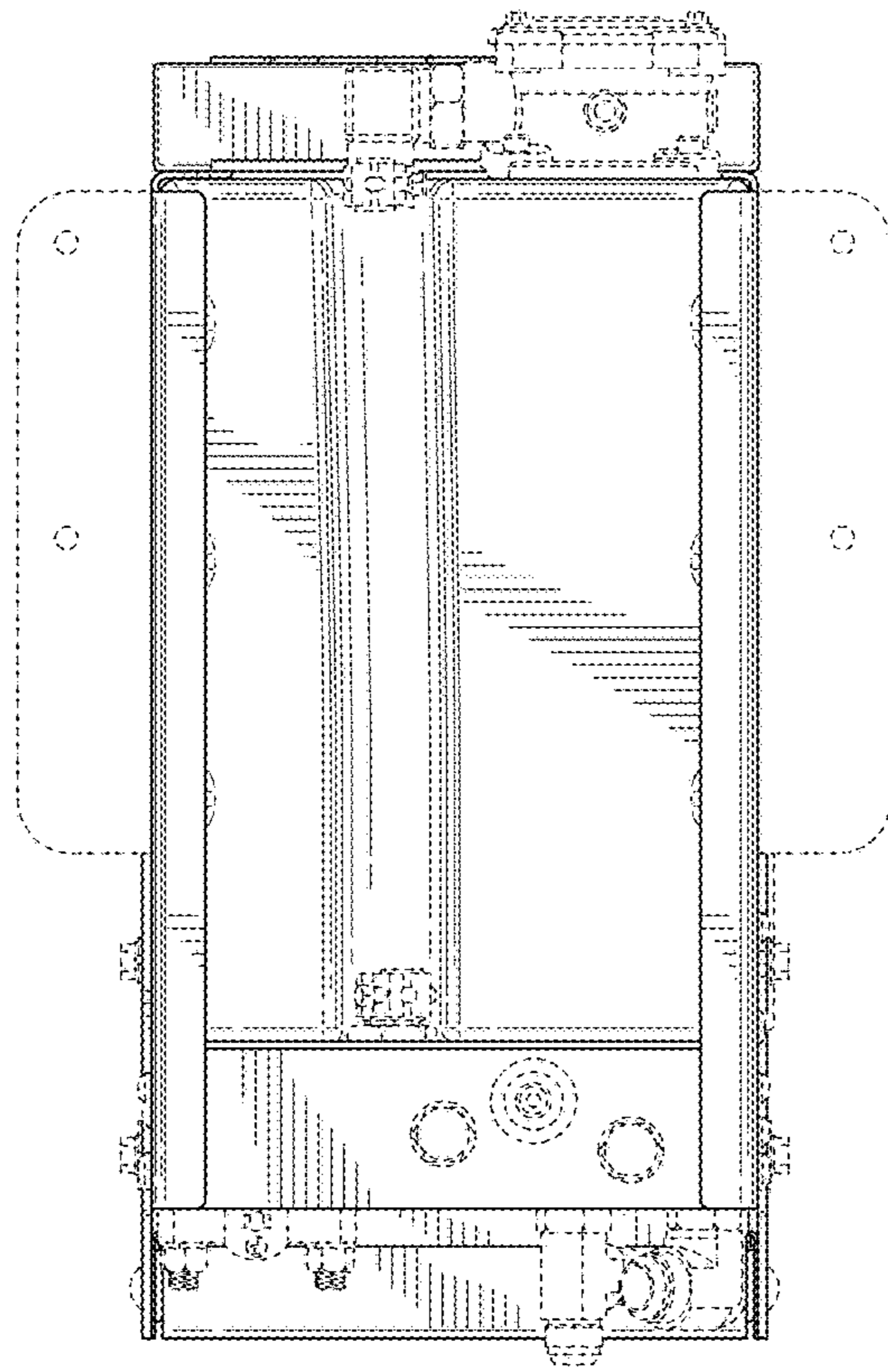


FIG. 3

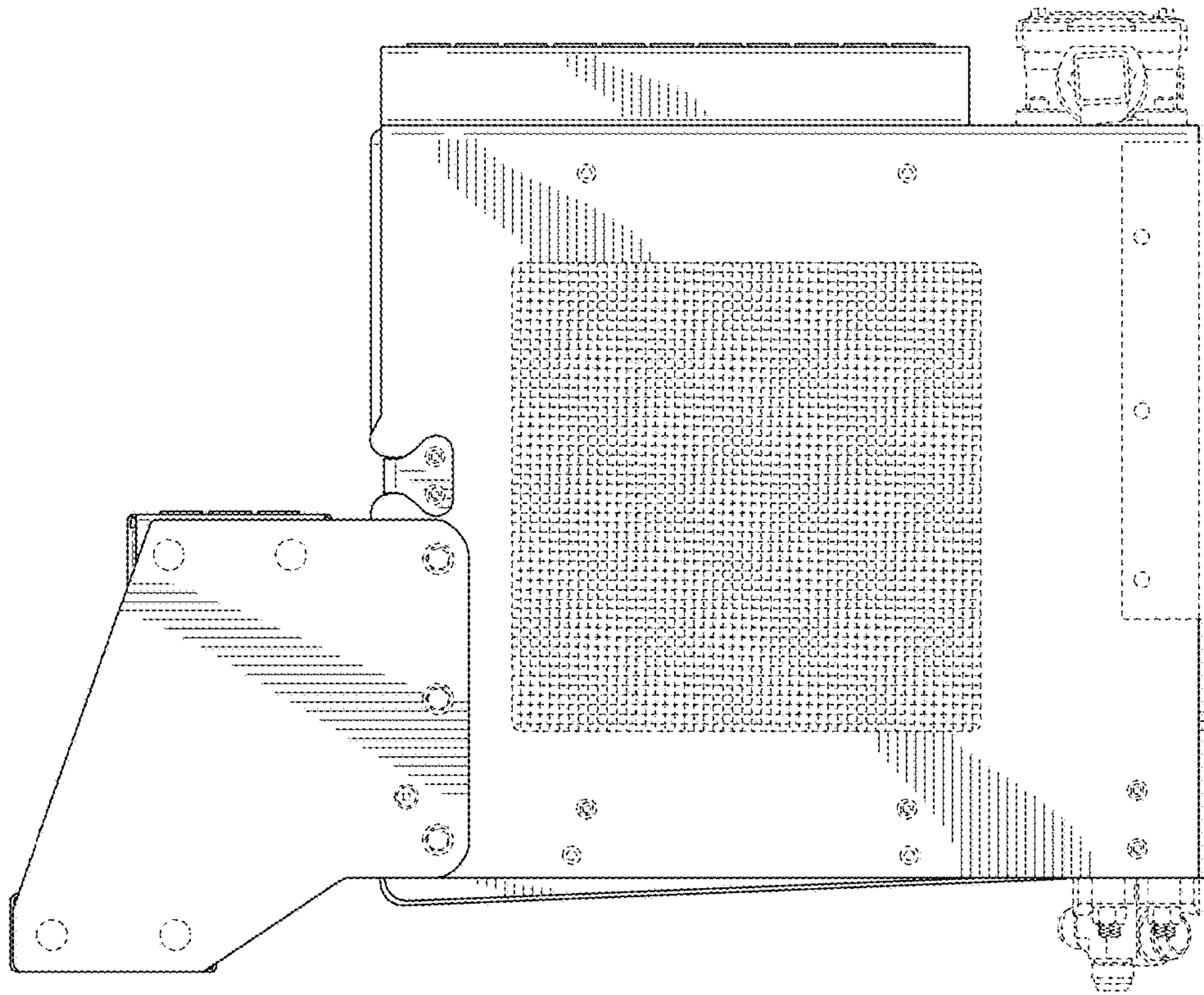


FIG. 4

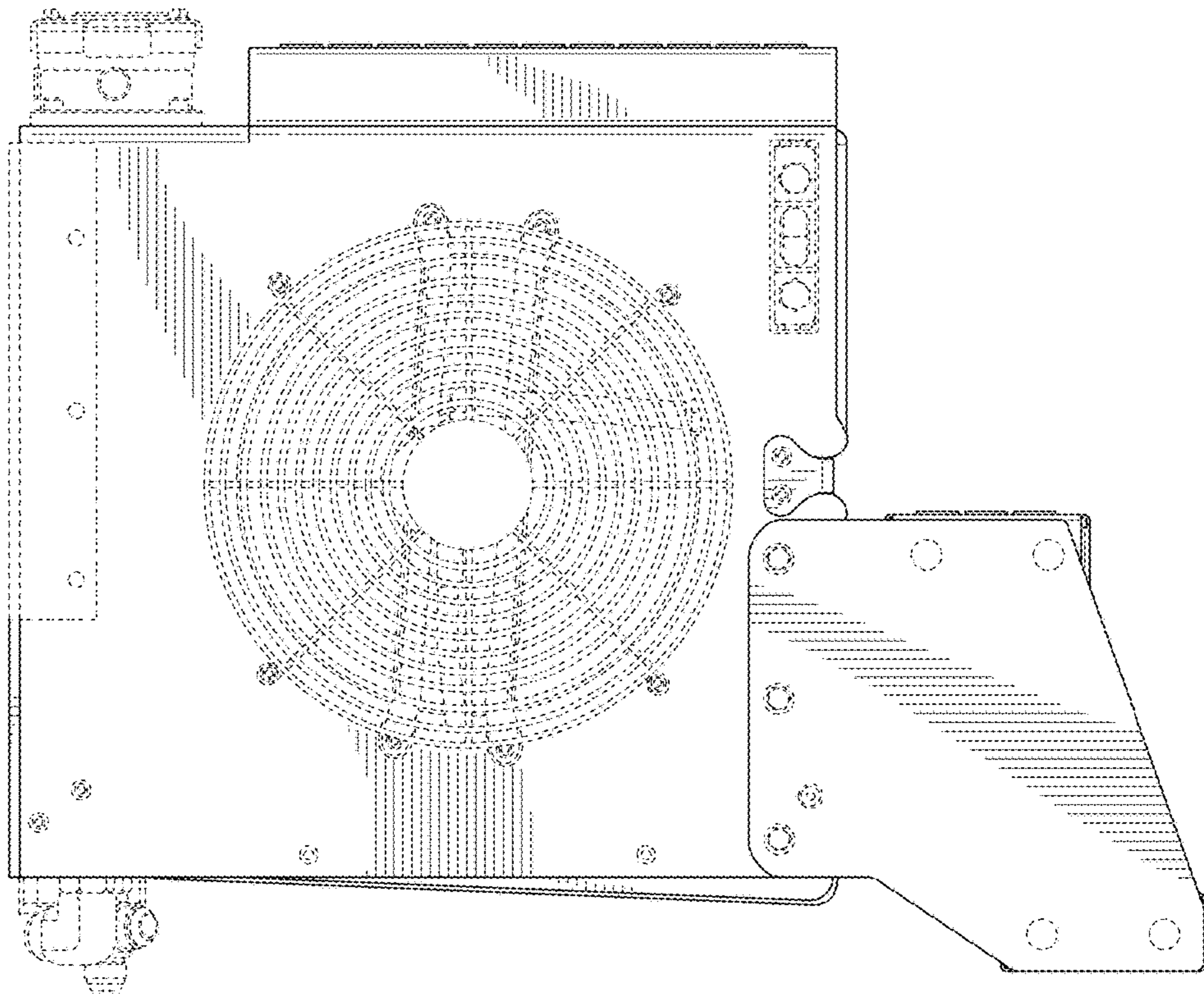


FIG. 5

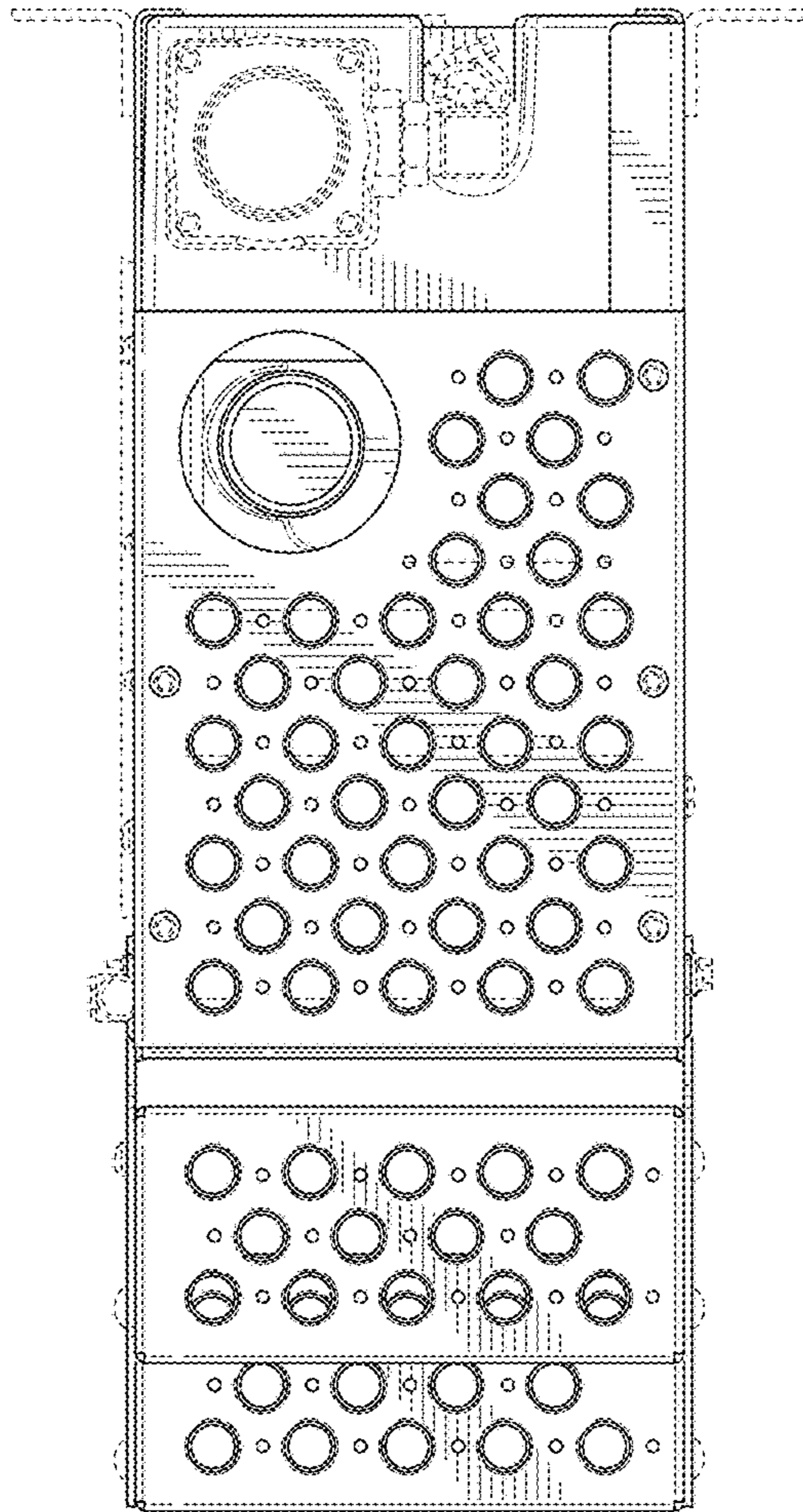


FIG. 6

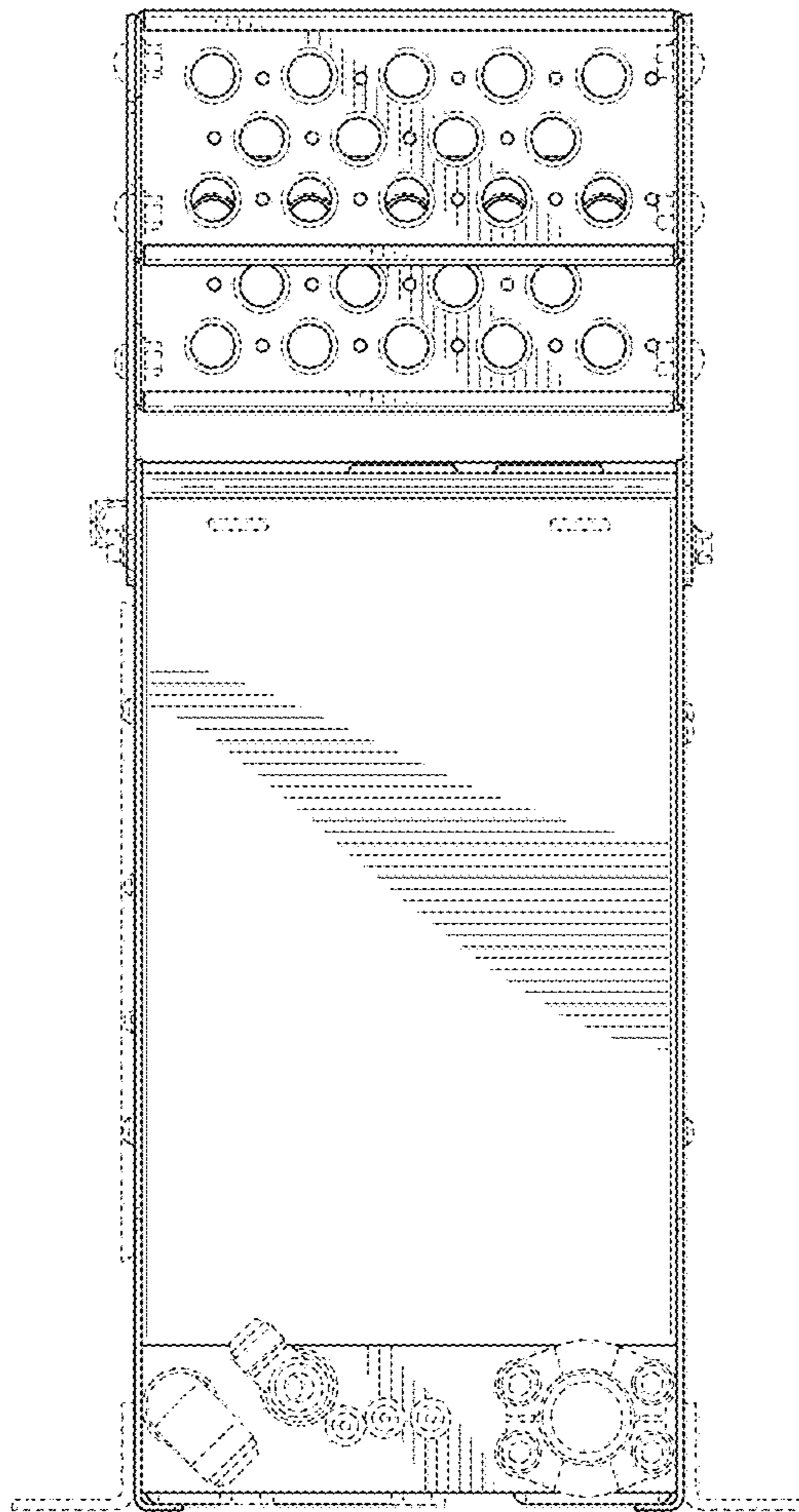


FIG. 7