



US00D838224S

(12) **United States Design Patent**
Valencia Pollex

(10) **Patent No.:** **US D838,224 S**
(45) **Date of Patent:** **** Jan. 15, 2019**

(54) **VEHICLE WHEEL RIM**

(71) Applicant: **AUDI AG**, Ingolstadt (DE)

(72) Inventor: **Andreas Valencia Pollex**, Ingolstadt (DE)

(73) Assignee: **AUDI AG**, Ingolstadt (DE)

(**) Term: **15 Years**

(21) Appl. No.: **29/622,087**

(22) Filed: **Oct. 13, 2017**

(30) **Foreign Application Priority Data**

Mar. 1, 2017 (EM) 003 778 976-0002

(51) **LOC (11) Cl.** **12-16**

(52) **U.S. Cl.**
USPC **D12/209**

(58) **Field of Classification Search**
USPC D12/204–213; D21/533, 561, 563
CPC B60B 7/00; B60B 7/02; B60B 7/04; B60B 7/06; B60B 3/02; B60B 3/04; B60B 3/06; B60B 3/10; B60B 1/00; B60B 1/08; B60B 1/10; B60B 1/12
See application file for complete search history.

(56) **References Cited**

U.S. PATENT DOCUMENTS

D588,517 S * 3/2009 Aroney D12/211
D644,158 S * 8/2011 Nissl D12/211
D655,657 S * 3/2012 Juergens D12/209
D712,814 S * 9/2014 Starr, Jr. D12/209

D726,086 S * 4/2015 Muntada Roura D12/209
D730,799 S * 6/2015 Hans D12/209
D748,031 S * 1/2016 Miyazawa D12/209
D755,692 S * 5/2016 Nakahara D12/209
D756,878 S * 5/2016 Valencia Pollex D12/209
D758,275 S * 6/2016 Patel D12/209
D759,564 S * 6/2016 Valencia Pollex D12/209
D759,566 S * 6/2016 Valencia Pollex D12/211
D774,434 S * 12/2016 Nakahara D12/209
D778,798 S * 2/2017 Park D12/209
D791,670 S * 7/2017 Valencia Pollex D12/209
D793,323 S * 8/2017 Valencia Pollex D12/211
D795,155 S * 8/2017 Valencia Pollex D12/211
D798,217 S * 9/2017 Valencia Pollex D12/211
D815,008 S * 4/2018 Valencia Pollex D12/209
D823,224 S * 7/2018 Nakamura D12/211
D825,429 S * 8/2018 Myrberg D12/209
D826,130 S * 8/2018 Myrberg D12/209
D827,545 S * 9/2018 Kawaguchi D12/209
D828,801 S * 9/2018 Valencia Pollex D12/209

* cited by examiner

Primary Examiner — Sheryl Lane
Assistant Examiner — Calvin E Vansant
(74) *Attorney, Agent, or Firm* — Lucas & Mercanti, LLP; Klaus P. Stoffel

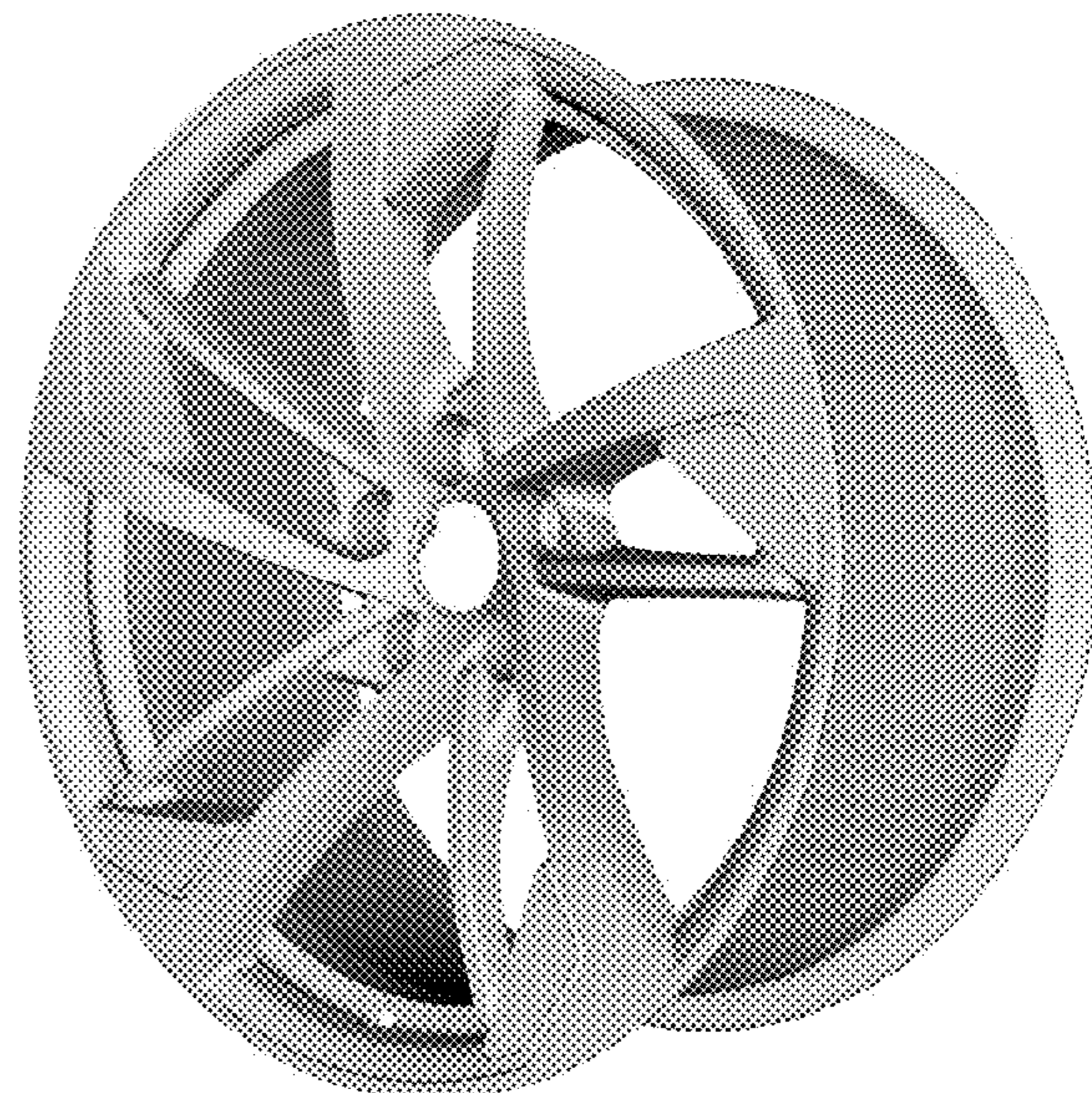
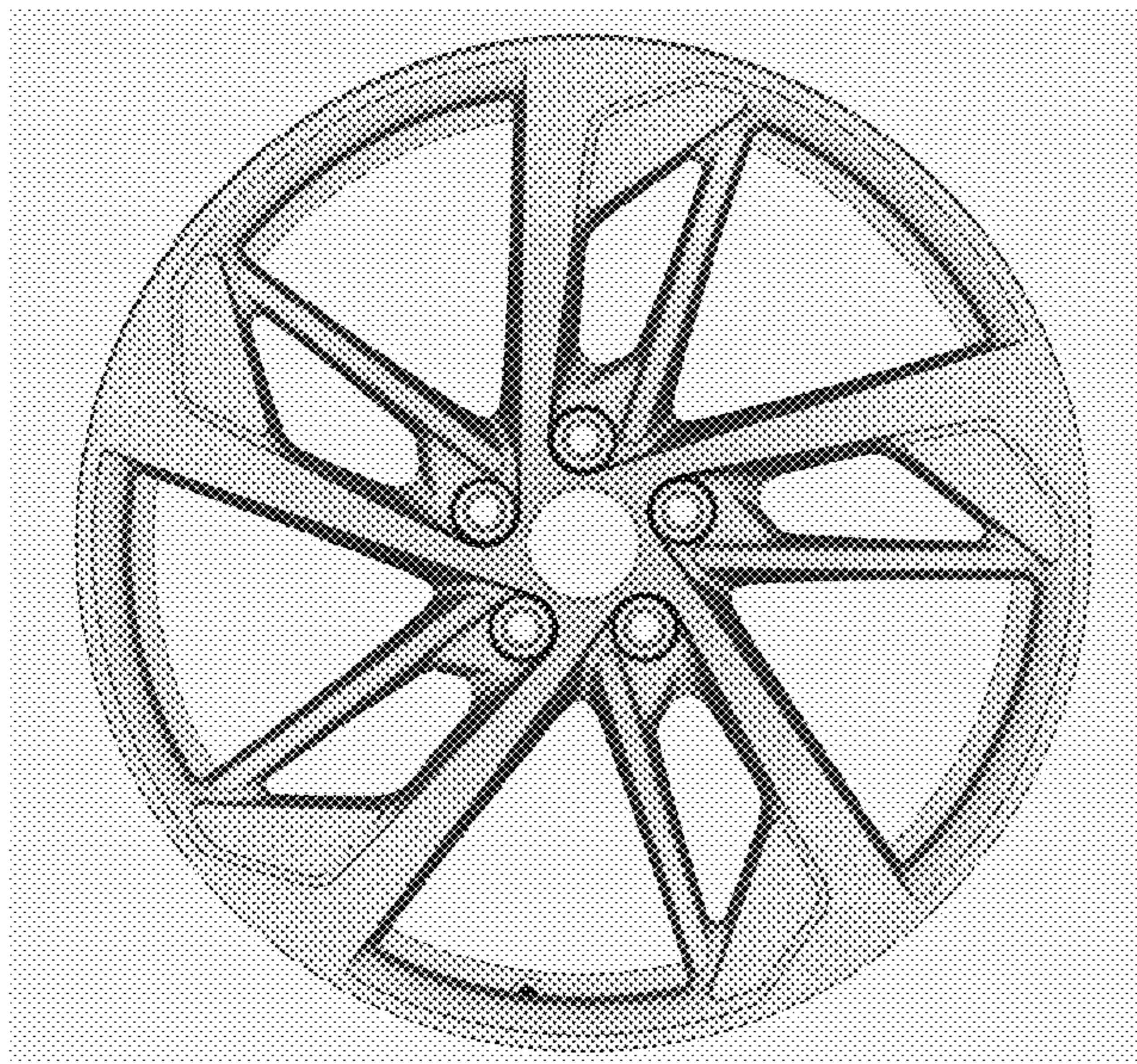
(57) **CLAIM**

The ornamental design for a vehicle wheel rim, as shown and described.

DESCRIPTION

FIG. 1 is a front view of the vehicle wheel rim of the present invention; and,
FIG. 2 is a front, side perspective view thereof.

1 Claim, 2 Drawing Sheets



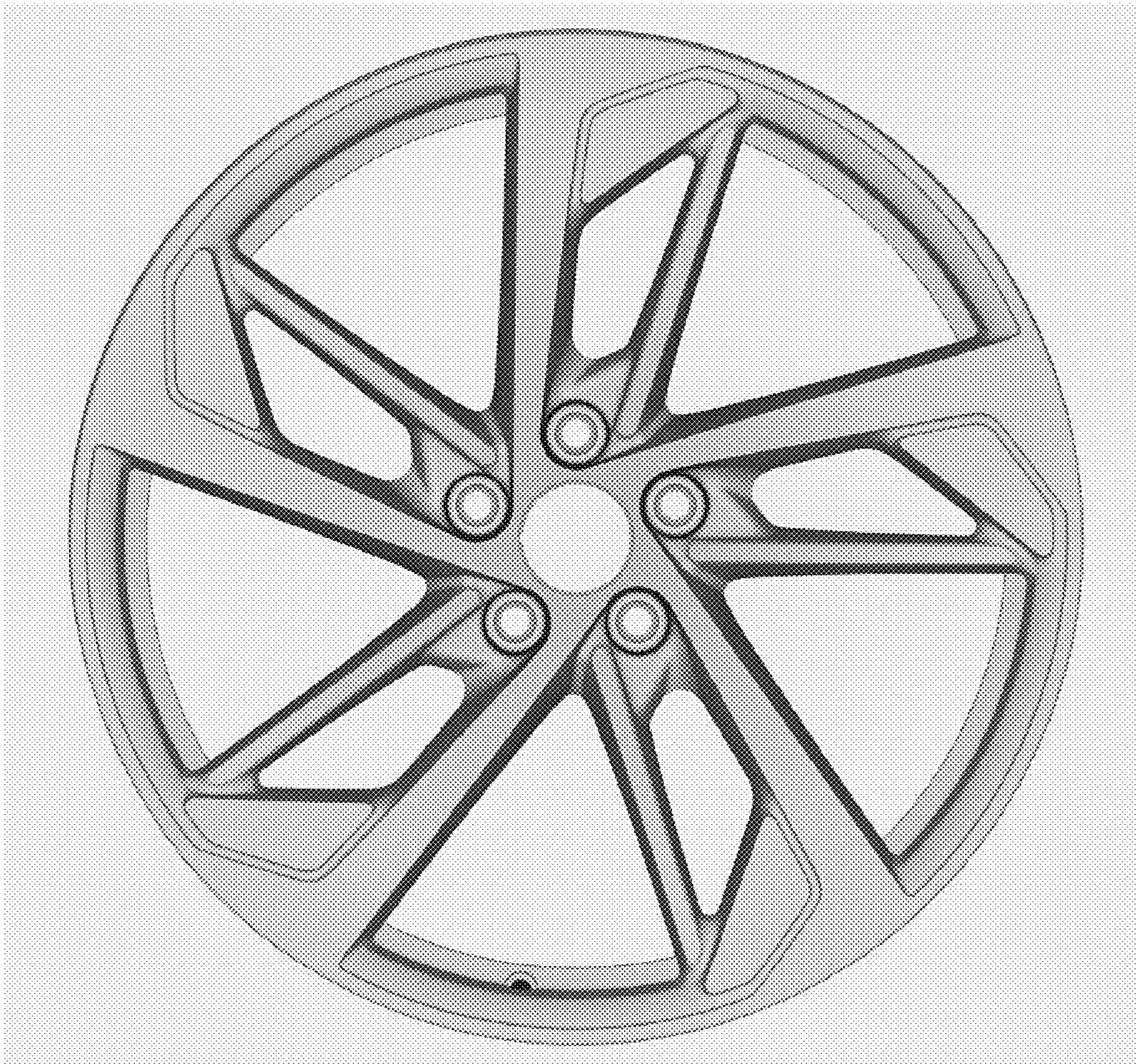


Fig. 1



Fig. 2