



US00D838223S

(12) **United States Design Patent**  
**Chung**

(10) **Patent No.:** **US D838,223 S**

(45) **Date of Patent:** **\*\* Jan. 15, 2019**

(54) **WHEEL**

(71) Applicant: **Wheel Pros, LLC**, Greenwood Village,  
CO (US)

(72) Inventor: **Suny Chung**, Anaheim, CA (US)

(\*\*) Term: **15 Years**

(21) Appl. No.: **29/608,065**

(22) Filed: **Jun. 19, 2017**

(51) **LOC (11) Cl.** ..... **12-16**

(52) **U.S. Cl.**

USPC ..... **D12/209**

(58) **Field of Classification Search**

USPC ..... D12/204–213

CPC .... B60B 7/00; B60B 7/02; B60B 7/04; B60B  
7/01; B60B 7/06; B60B 3/02; B60B 3/04;  
B60B 3/06; B60B 3/10; B60B 1/00;  
B60B 1/08; B60B 1/10; B60B 1/12

See application file for complete search history.

(56) **References Cited**

**U.S. PATENT DOCUMENTS**

D579,846 S	*	11/2008	Chung	.....	D12/209
D580,336 S	*	11/2008	Chung	.....	D12/211
D593,022 S	*	5/2009	Forster	.....	D12/211
D600,187 S	*	9/2009	Chung	.....	D12/211
D630,144 S	*	1/2011	Chung	.....	D12/209
D647,449 S	*	10/2011	Gotschke	.....	D12/209

D668,197 S	*	10/2012	Gotschke	.....	D12/211
D673,492 S	*	1/2013	Muller	.....	D12/209
D678,156 S	*	3/2013	Gotschke	.....	D12/209
D681,540 S	*	5/2013	Zhao	.....	D12/211
D686,964 S	*	7/2013	Baum	.....	D12/211
D696,177 S	*	12/2013	Juergens	.....	D12/209
D718,696 S	*	12/2014	Gotschke	.....	D12/209
D736,131 S	*	8/2015	Mahoney	.....	D12/209
D777,075 S	*	1/2017	Rueckheim	.....	D12/211
D794,531 S	*	8/2017	Zhao	.....	D12/211
D819,538 S	*	6/2018	Badstuebner	.....	D12/211
D823,218 S	*	7/2018	Chung	.....	D12/209
D826,828 S	*	8/2018	Wheel	.....	D12/211
D828,268 S	*	9/2018	Nakamura	.....	D12/209

\* cited by examiner

*Primary Examiner* — Stacia A Cadmus

(74) *Attorney, Agent, or Firm* — Eric Hanscom

(57) **CLAIM**

The ornamental design for a wheel, as shown and described.

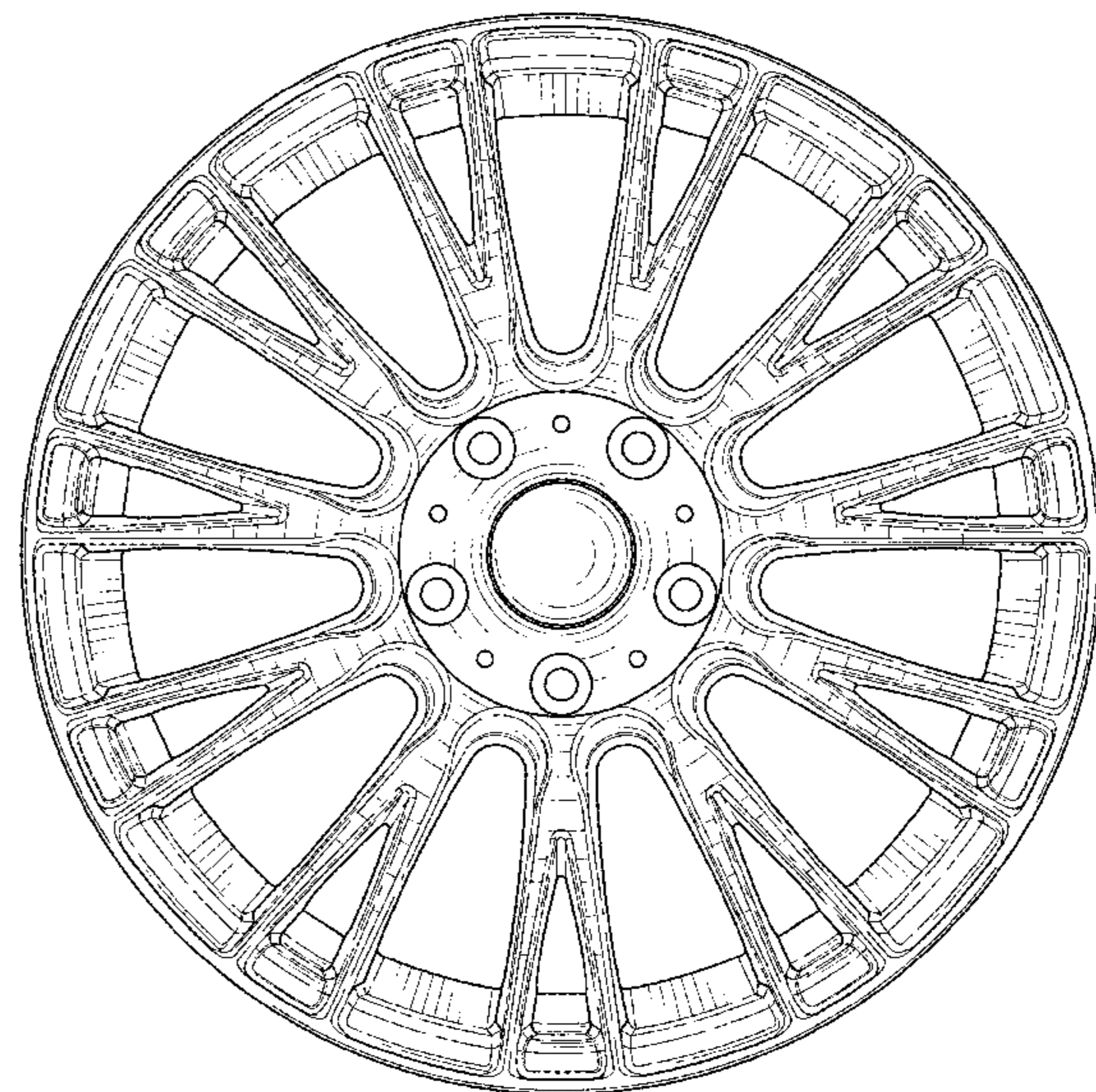
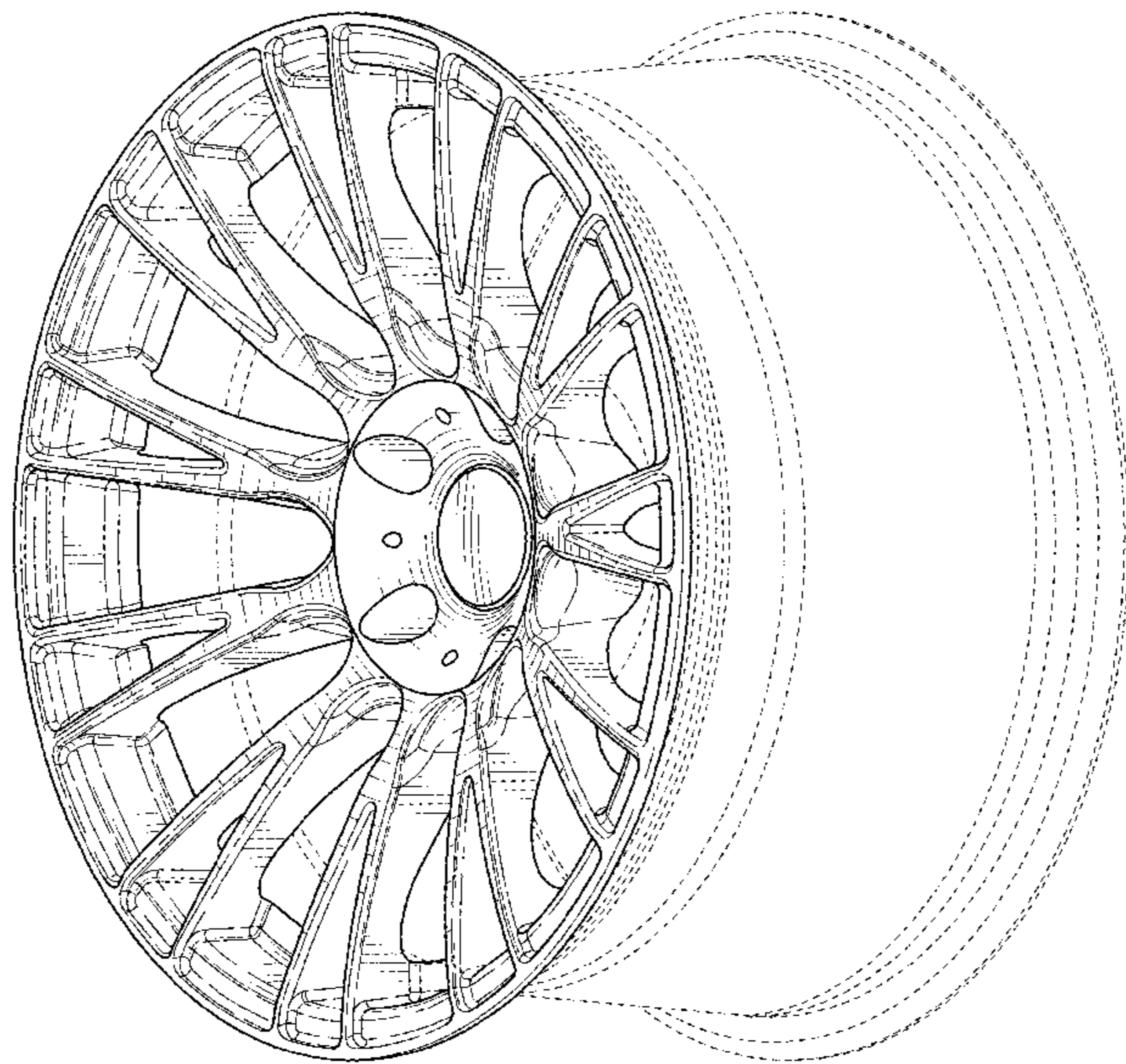
**DESCRIPTION**

FIG. 1 is a perspective view of a wheel showing my new design; and,

FIG. 2 is a front view thereof.

Dashed lines represent material that is not claimed by this patent, and are for purposes of illustration only. Applicant is claiming the front portion of the wheel only and makes no claim to the ornamental design of the sides or back of the wheel.

**1 Claim, 2 Drawing Sheets**



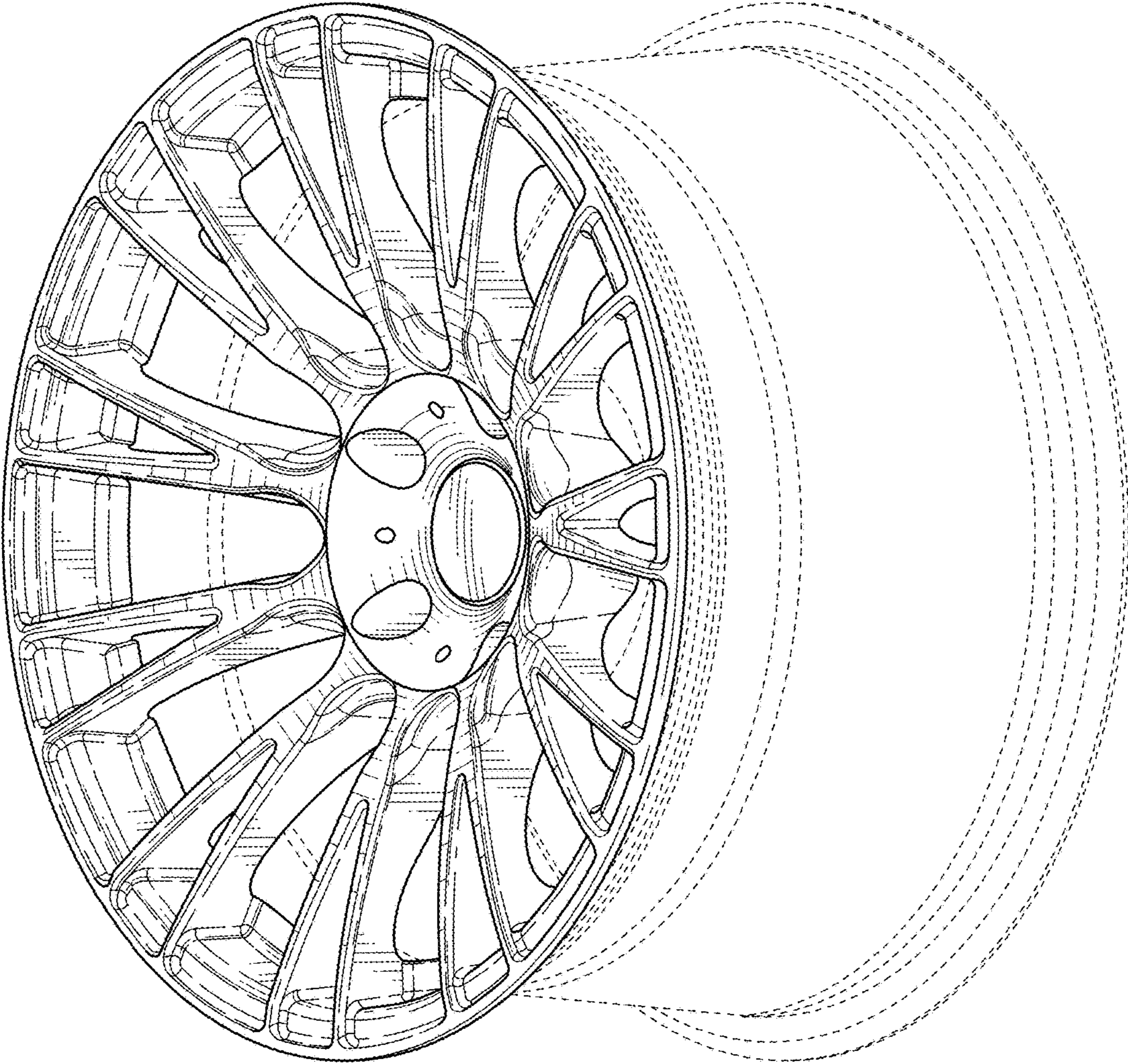


FIG. 1

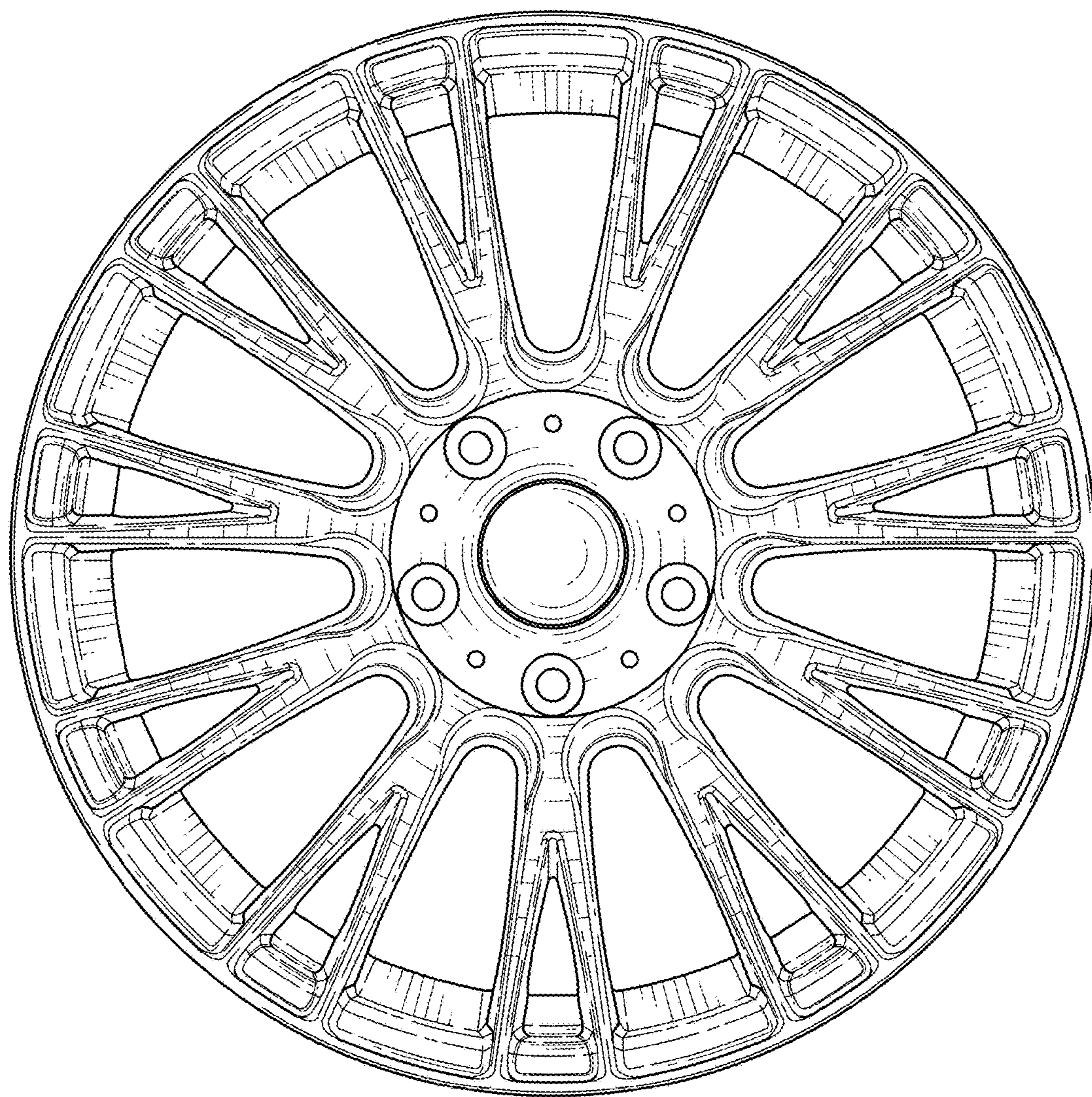


FIG. 2